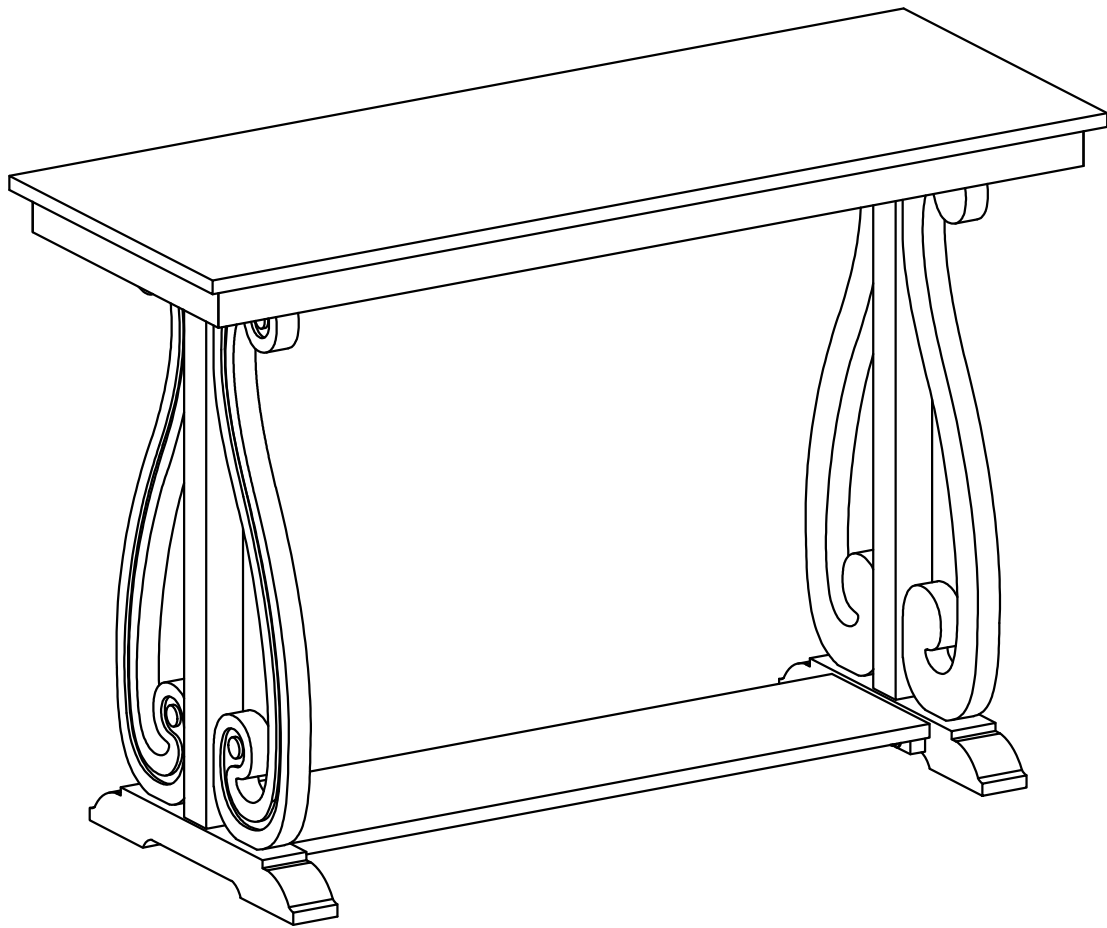


ASSEMBLY INSTRUCTIONS

ITEM NO.N715P171301

Console Table



ASSEMBLY INSTRUCTIONS

ITEM NO.N715P171301

Please read these instructions fully before starting assembly:

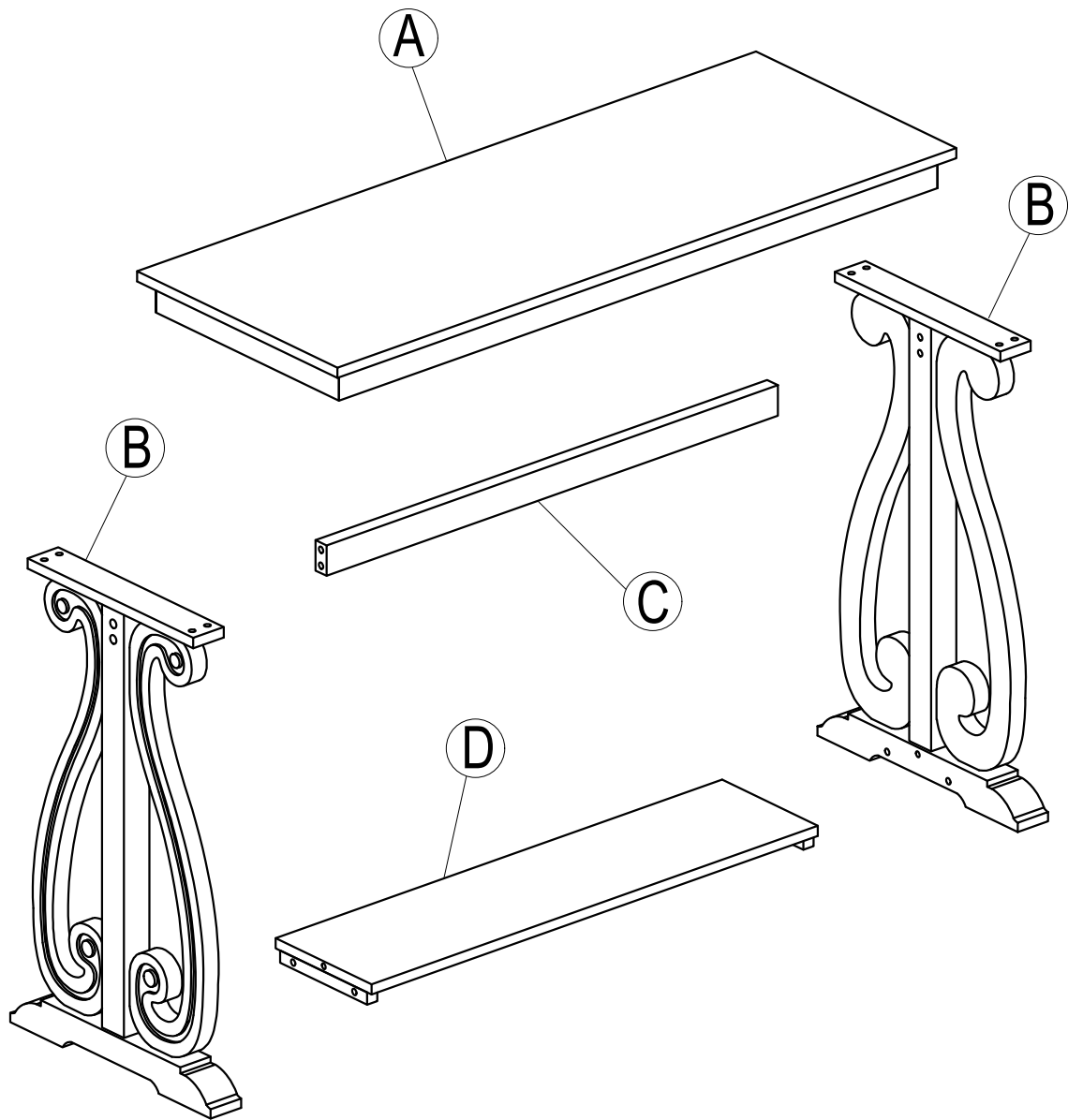
1. Place all wooden parts on a clean and smooth surface such as a rug or carpet to avoid scratching the parts.
2. Kindly follow the assembly instructions step by step.
3. Do not tighten all screws and bolts until the table is fully assembled.
4. Unscrew the protective plastique supports from the metal insert of the table legs before assembly.
5. Parts of the assembly will be easier with 2 people.

Care and maintenance:

Only clean using a damp cloth and mild detergent, do not use bleach or abrasive cleaners.

ASSEMBLY INSTRUCTIONS

ITEM NO.N715P171301



ASSEMBLY INSTRUCTIONS

ITEM NO.N715P171301

Part List

(A)

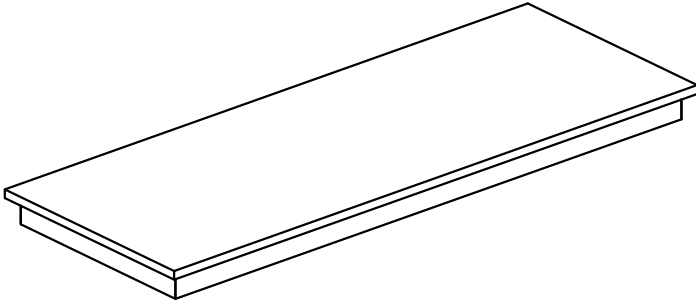
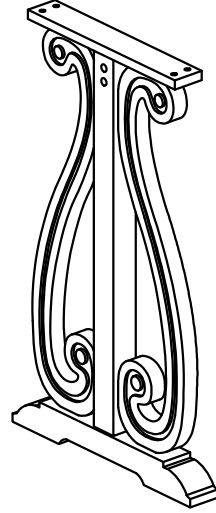


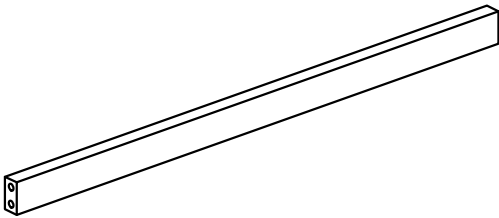
TABLE TOP (1pc)

(B)



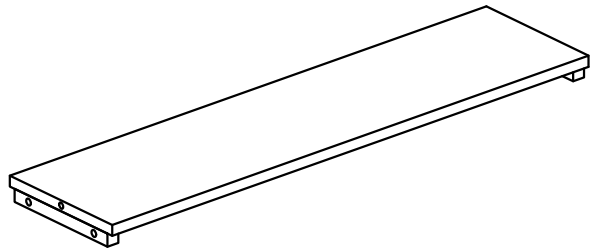
LEG (2pcs)

(C)



TOP STRETCHER (1 pc)

(D)



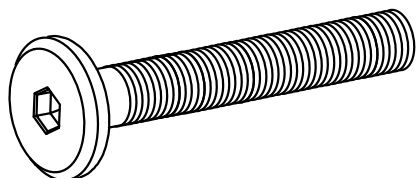
BOTTOM SHELF PANEL (1 pcs)

ASSEMBLY INSTRUCTIONS

ITEM NO.N715P171301

Hardware List

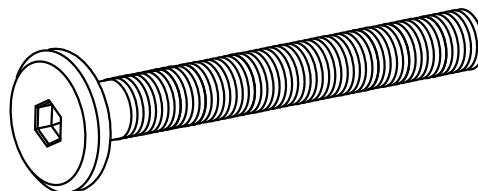
①



Ø 5/16" x 35 mm

BOLT (12 pcs)

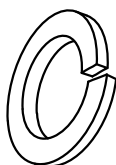
②



Ø 5/16" x 65 mm

BOLT (4 pcs)

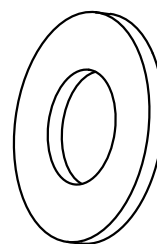
③



Ø5/16" x 13 mm

FLAT WASHER (16 pcs)

④



Ø5/16" x 19 mm

LOCK WASHER (8 pcs)

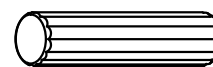
⑤



4 mm

ALLEN KEY (1 pc)

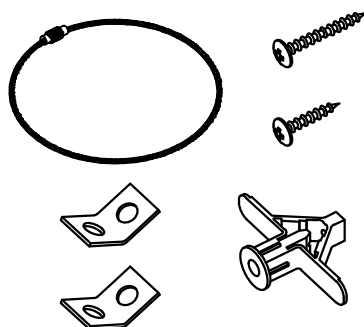
⑥



Ø8 x 30 mm

WOOD DOWEL (2 pcs)

⑦

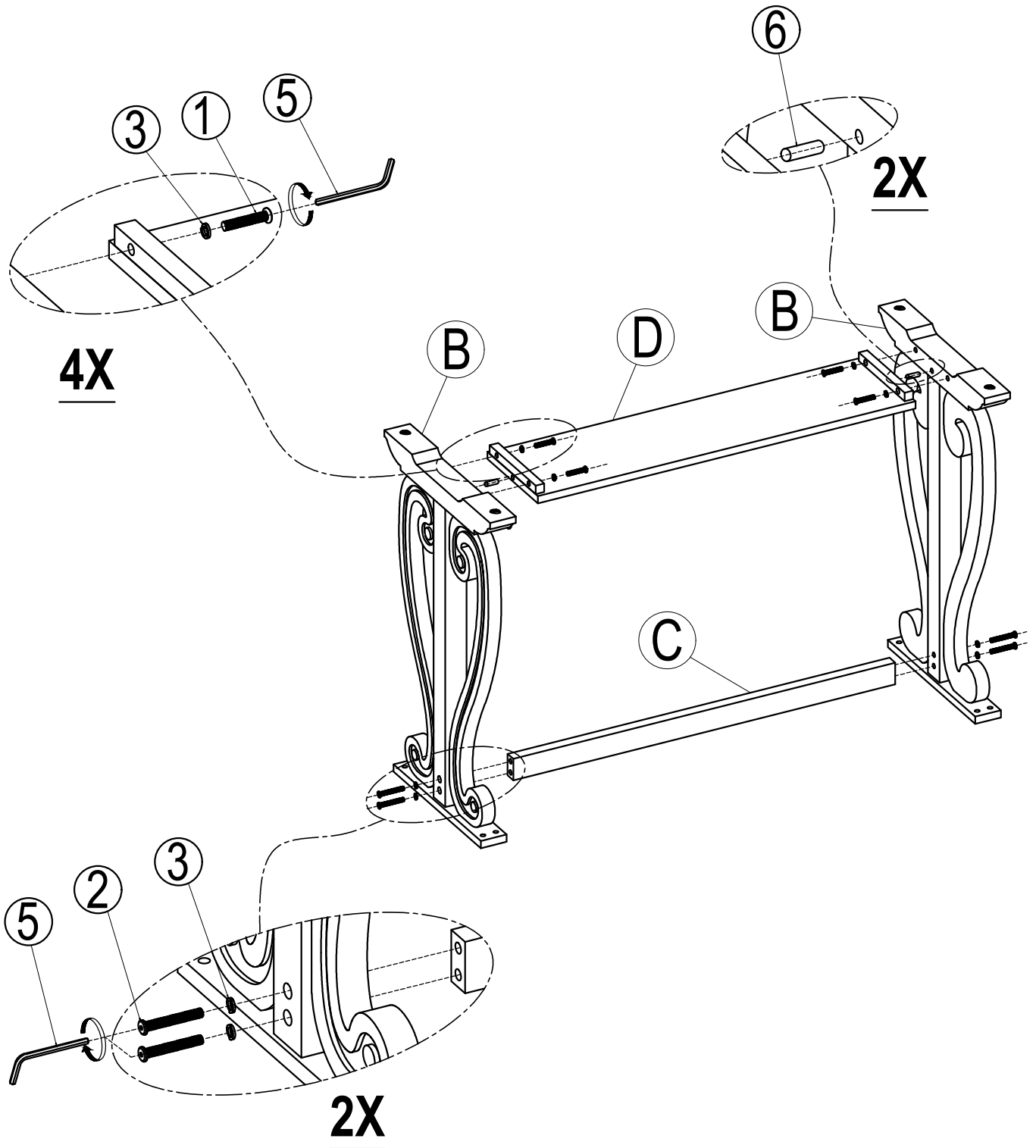







ANTI-PARKING KIT (2 set)

ASSEMBLY INSTRUCTIONS

ITEM NO.N715P171301

STEP 1:

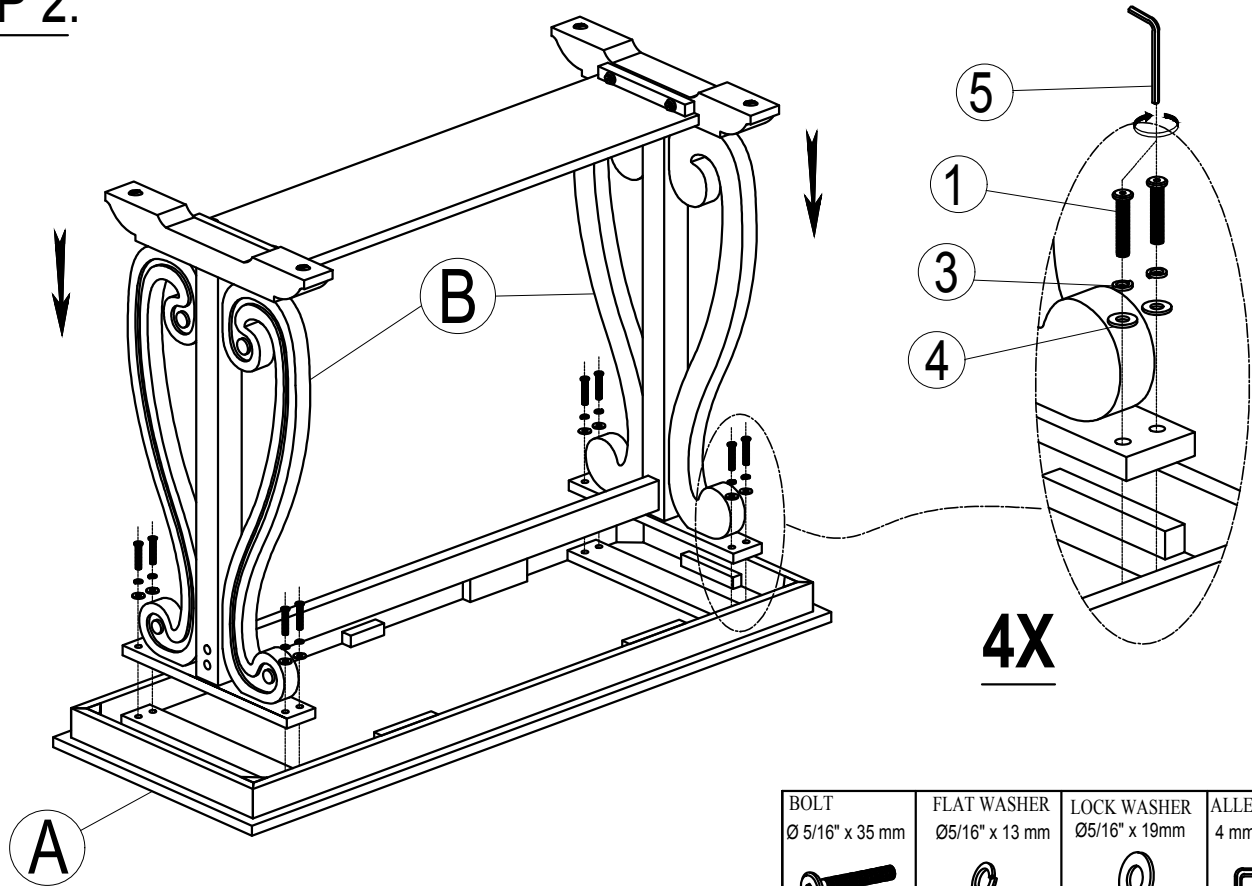






BOLT Ø 5/16" x 35 mm	BOLT Ø 5/16" x 65 mm	FLAT WASHER Ø5/16" x 13 mm	ALLEN KEY 4 mm x 75mm	WOOD DOWEL Ø8 x 30 mm
				
① x 4	② x 4	③ x 8	⑤ x 1	⑥ x 2

ASSEMBLY INSTRUCTIONS

ITEM NO.N715P171301

STEP 2:



BOLT Ø 5/16" x 35 mm	FLAT WASHER Ø5/16" x 13 mm	LOCK WASHER Ø5/16" x 19mm	ALLEN KEY 4 mm x 75mm
			
① x 8	③ x 8	④ x 8	⑤ x 1

COMPLETE

