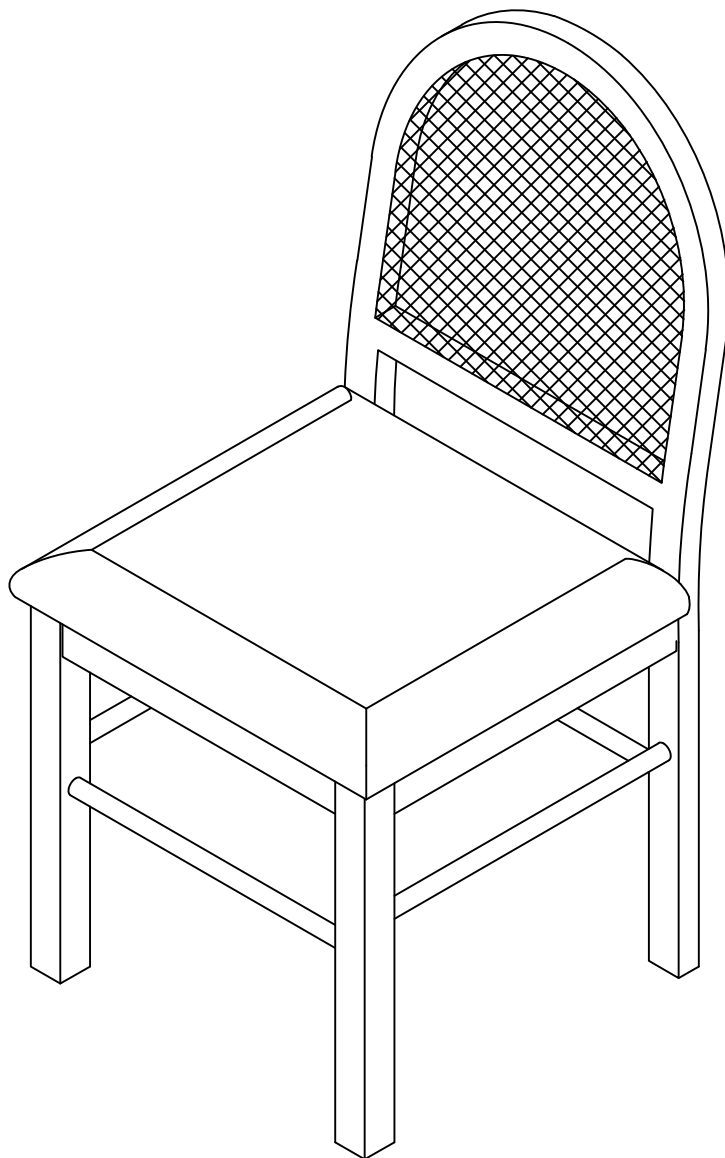


# Assembly Instruction

Item: N715P170418 - DINING CHAIR

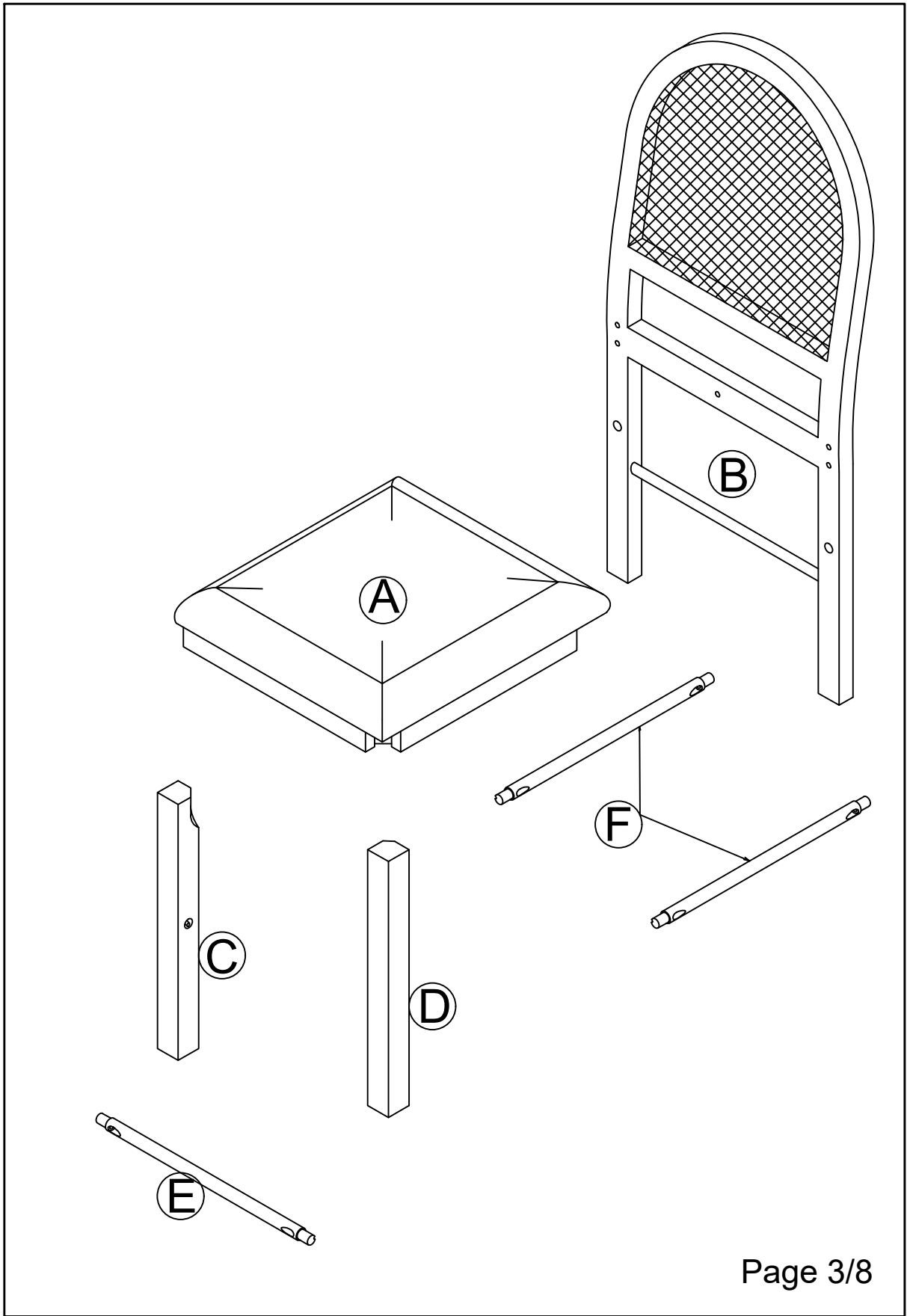


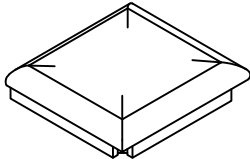
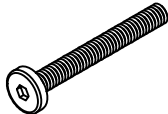
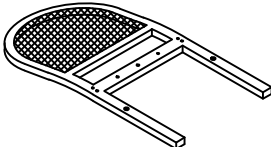
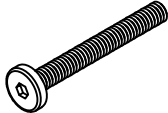
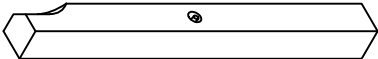
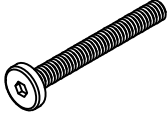
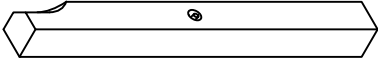

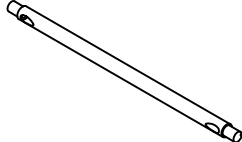

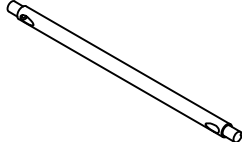


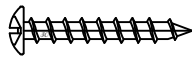
Please read these instructions fully before starting assembly:

1. Place all wooden parts on a clean and smooth surface such as a rug or carpet to avoid scratching the parts.
2. Kindly follow the assembly instructions step by step.
3. Do not tighten all screws and bolts until the table is fully assembled.
4. Unscrew the protective plastique supports from the metal insert of the table legs before assembly.
5. Parts of the assembly will be easier with 2 people.

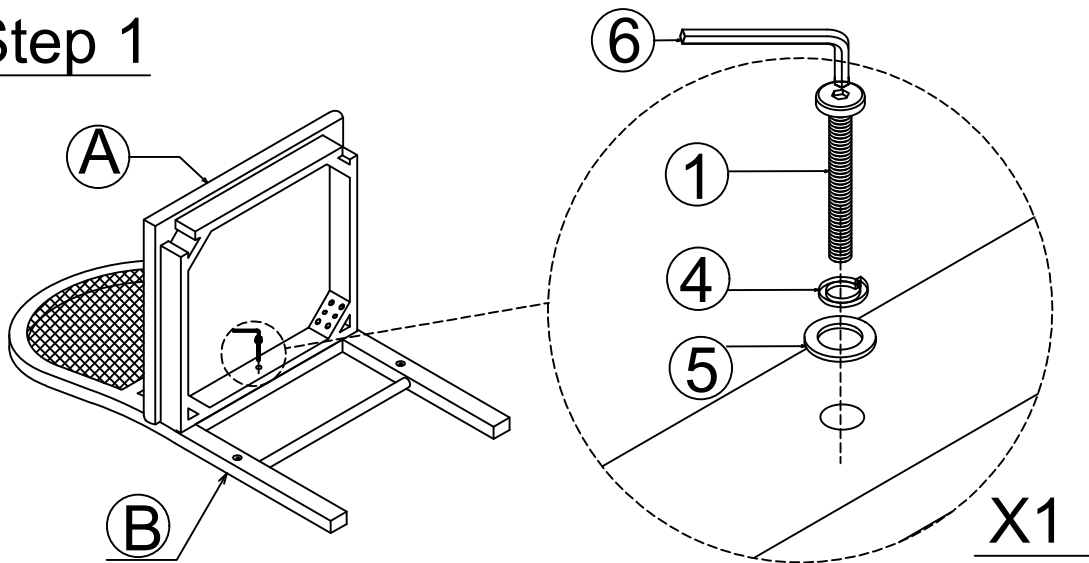
Care and maintenance:

Only clean using a damp cloth and mild detergent, do not use bleach or abrasive cleaners.

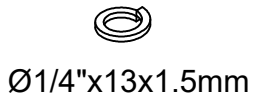


Part list for one	Hardware list for one
<p>Ⓐ </p>	<p>①  1/4"x 35mm</p>
<p>Seat Cushion (1Pc)</p>	<p>BOLT (1Pc)</p>
<p>Ⓑ </p>	<p>②  1/4"x 50mm</p>
<p>Chair Back (1Pc)</p>	<p>BOLT (4Pcs)</p>
<p>Ⓒ </p>	<p>③  1/4"x 70mm</p>
<p>Front Leg (Left) (1Pc)</p>	<p>BOLT (4Pcs)</p>
<p>Ⓓ </p>	<p>④  Ø1/4"x13x1.5mm</p>
<p>Front Leg (Right) (1Pc)</p>	<p>FLAT WASHER (9Pcs)</p>
<p>Ⓔ </p>	<p>⑤  Ø1/4"x16x1.5mm</p>
<p>Front Stretcher (1Pc)</p>	<p>LOCK WASHER (9Pcs)</p>
<p>Ⓕ </p>	<p>⑥ </p>
<p>Side Stretcher (2Pcs)</p>	<p>4mm Allen Wrench (1Pc)</p>
<p>Note: Tool required (not provided) Screwdriver</p> 	<p>⑦  #8 x 1-1/2"</p> <p>Wood Screw (6Pcs)</p>

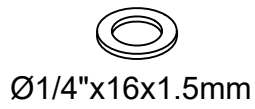
## Step 1



① x 1



④ x 1

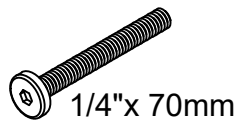
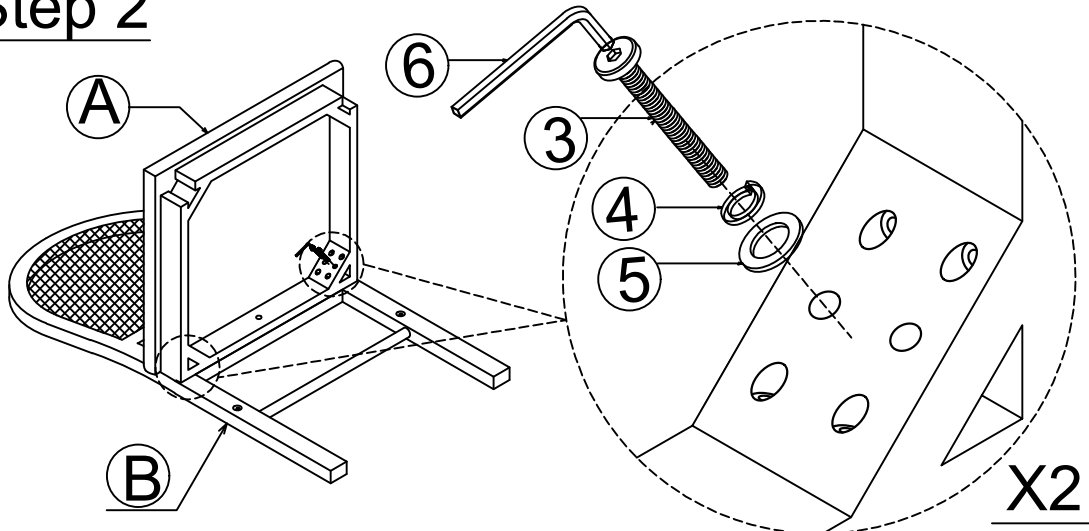


⑤ x 1

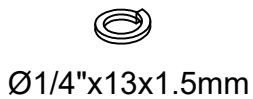


⑥ x 1

## Step 2



③ x 4



④ x 4

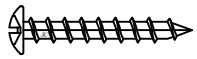
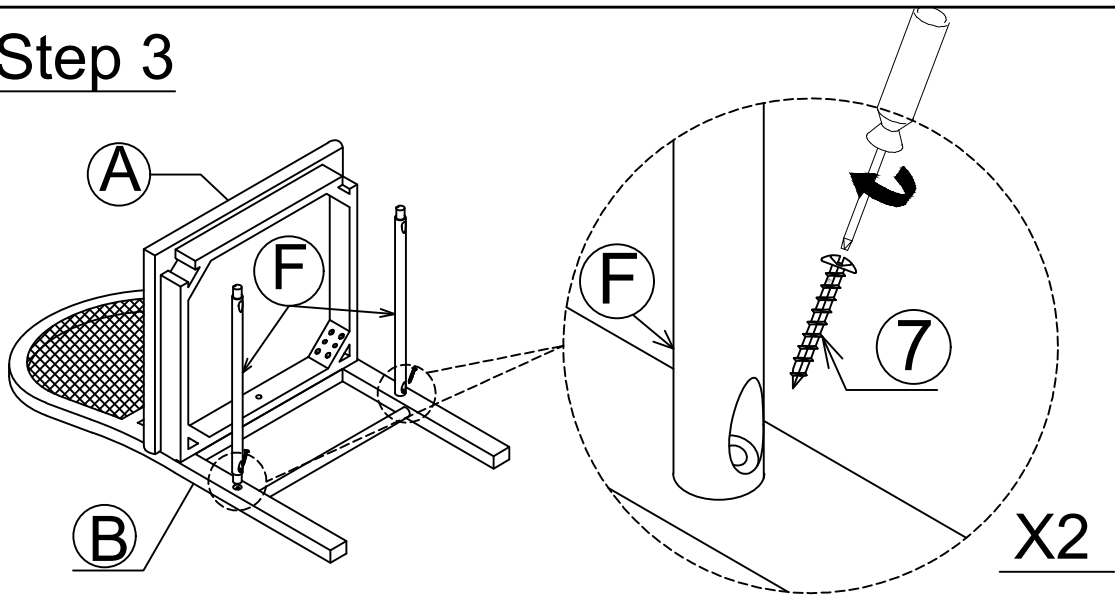


⑤ x 4



⑥ x 1

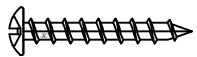
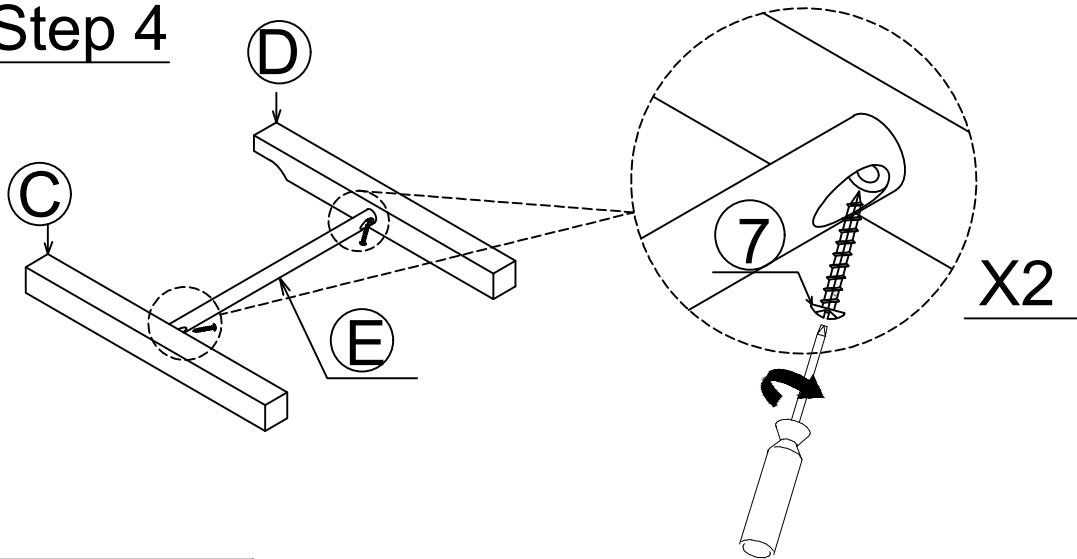
### Step 3



#8 x 1-1/2"

(7) x 2

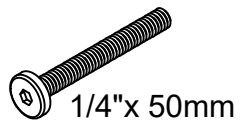
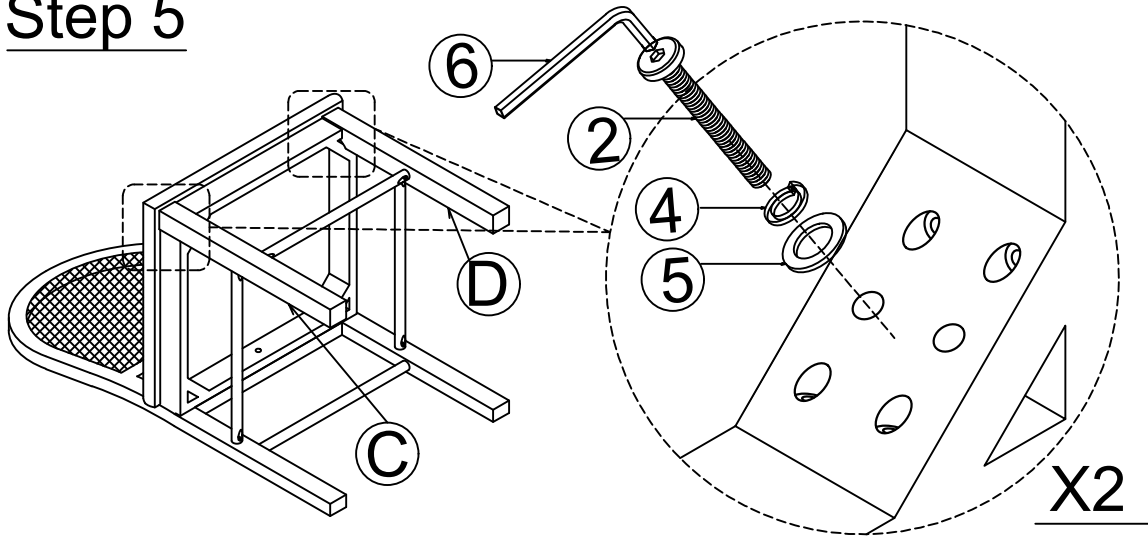
### Step 4



#8 x 1-1/2"

(7) x 2

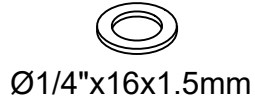
## Step 5



(2) x 4



(4) x 4

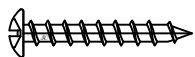
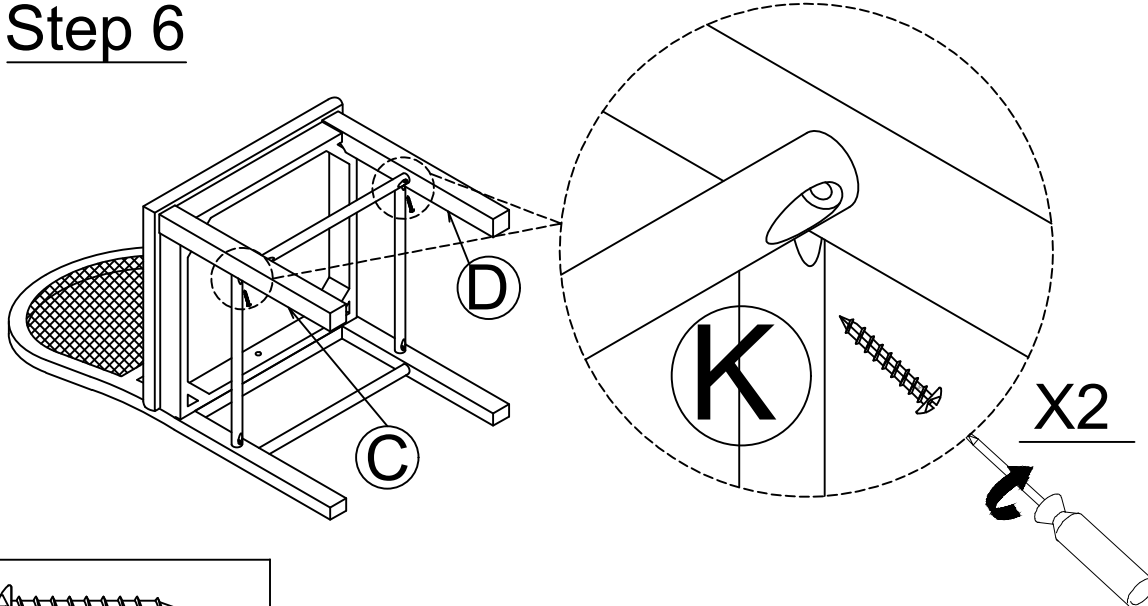


(5) x 4



(6) x 1

## Step 6



(7) x 2

Complete

