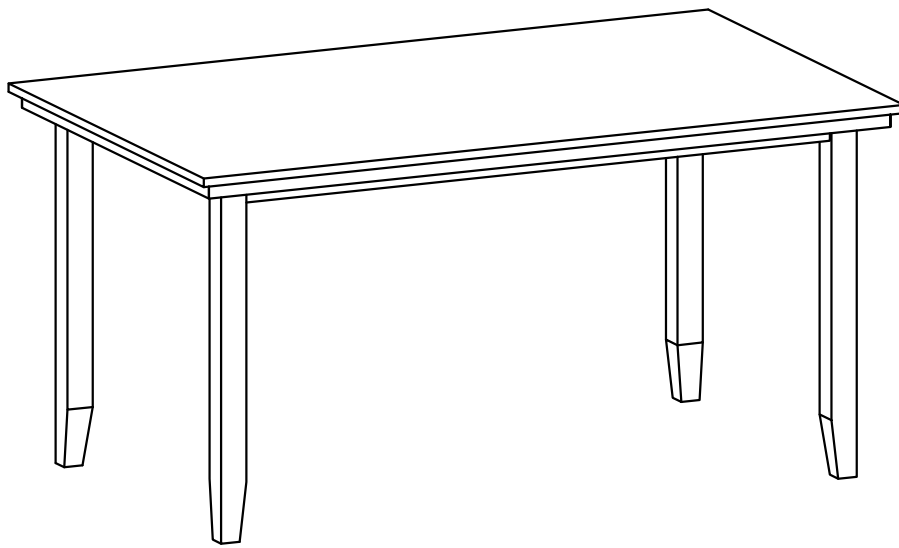


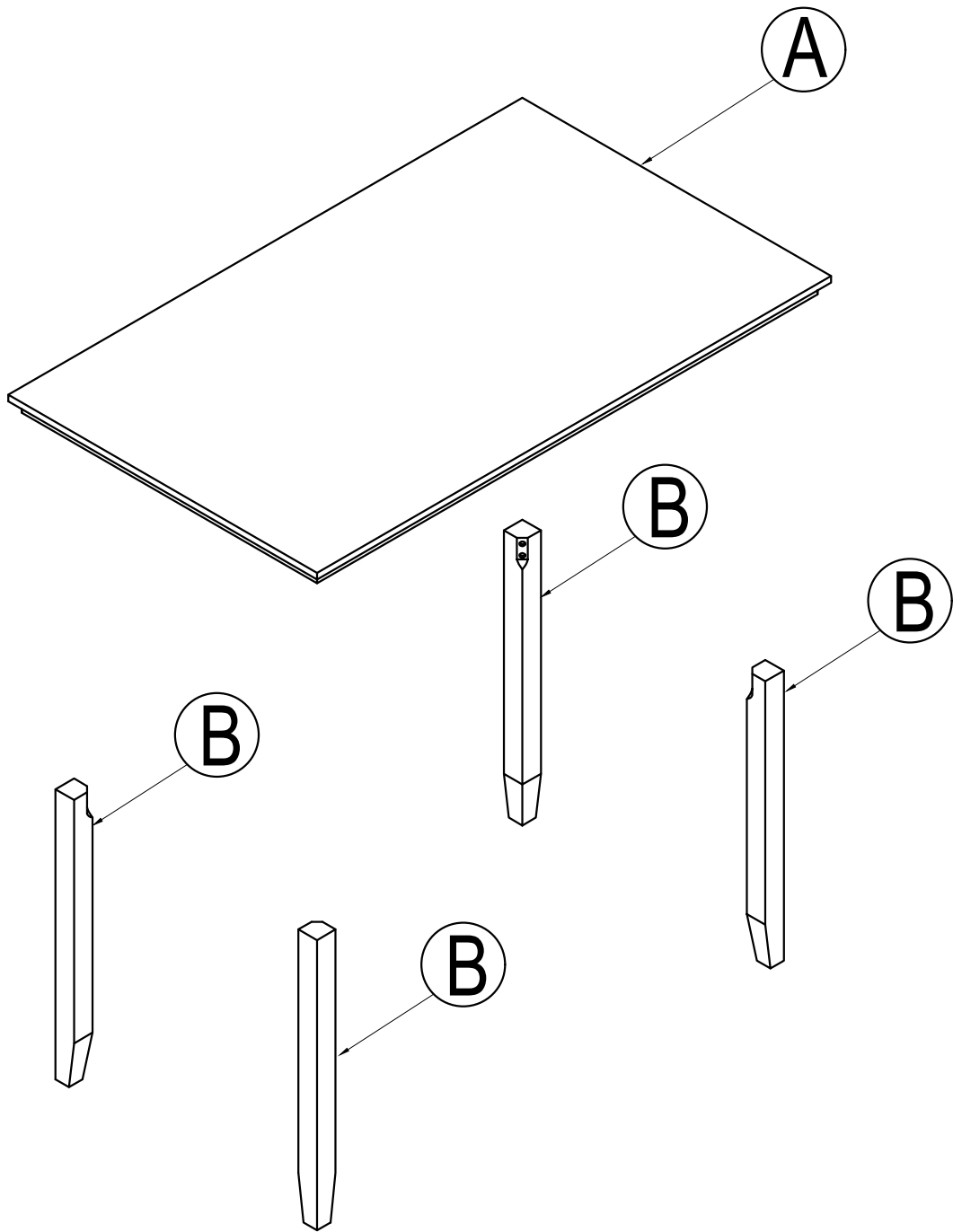
ASSEMBLY INSTRUCTIONS

ITEM NO.WF212299AAE




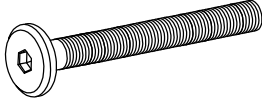
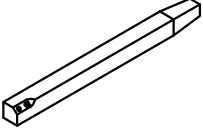

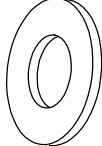

IMPORTANT NOTE :

- ① PLACE ALL PARTS ON A CLEAN AND SMOOTH SURFACE SUCH AS A RUG OR CARPET TO AVOID THE PARTS FROM BEING SCRATCHED.
- ② BEFORE YOU BEGIN,KINDLY FOLLOW THE ASSEMBLY INSTRUCTIONS STEP BY STEP.
- ③ DO NOT TIGHTEN ALL SCREWS AND BOLTS UNTIL THE CHAIR IS FULLY SET-UP.

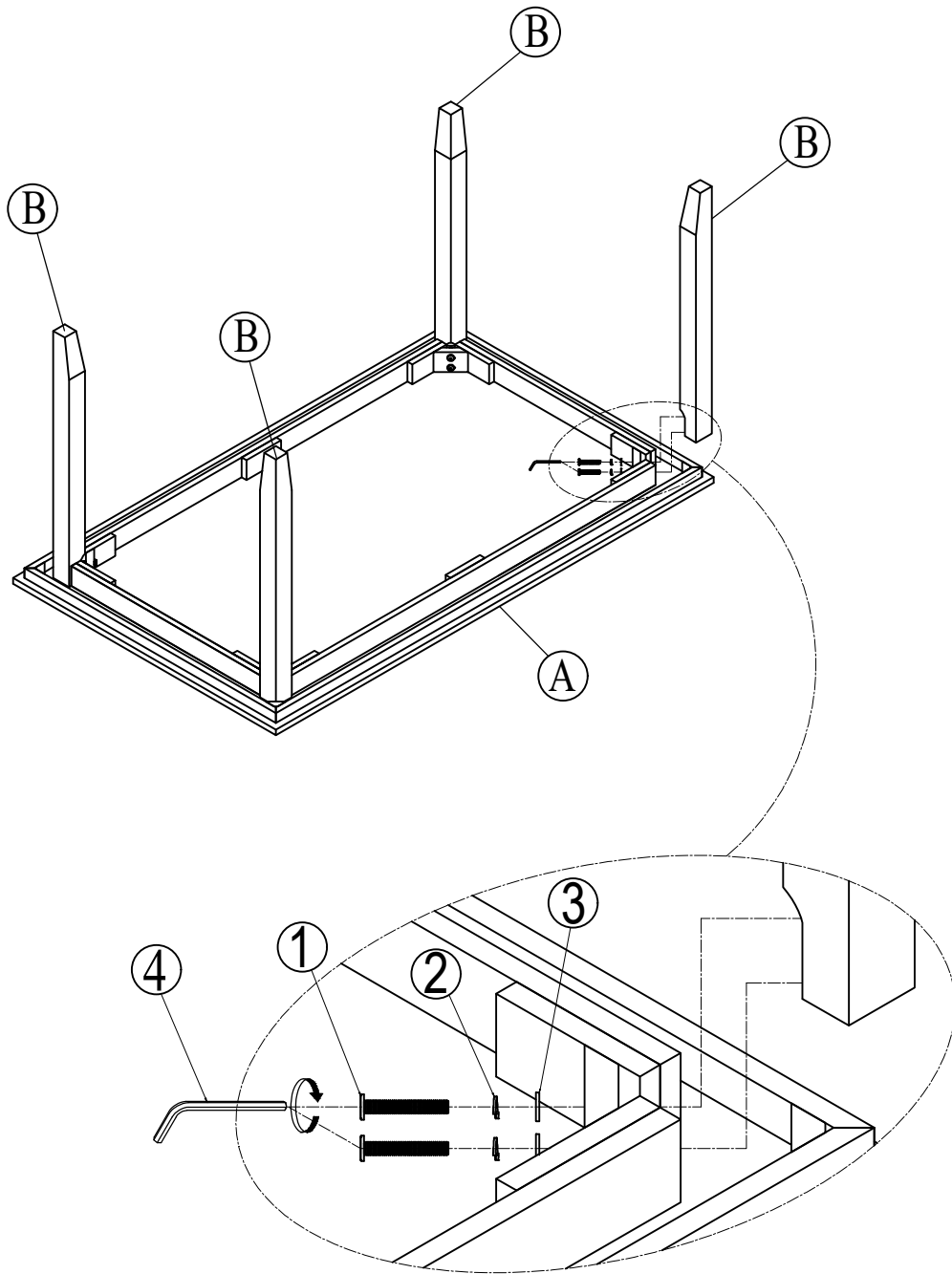


Part List

Hardware List

<p>Ⓐ</p>  <p>TABLE TOP (1 pc)</p>	<p>①</p>  <p>Ø 5/16" x 60 mm</p> <p>BOLT (8 pcs)</p>
<p>Ⓑ</p>  <p>TABLE LEG (4 pcs)</p>	<p>②</p>  <p>Ø5/16" x 13 mm</p> <p>FLAT WASHER (8 pcs)</p>
	<p>③</p>  <p>Ø5/16" x 19mm</p> <p>LOCK WASHER (8 pcs)</p>
	<p>④</p>  <p>4 mm</p> <p>ALLEN KEY (1 pc)</p>

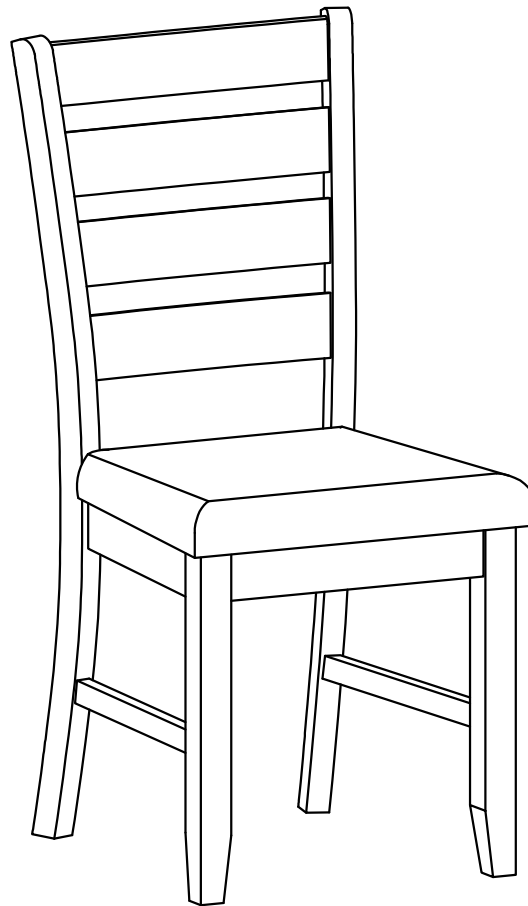
STEP 1:



X4

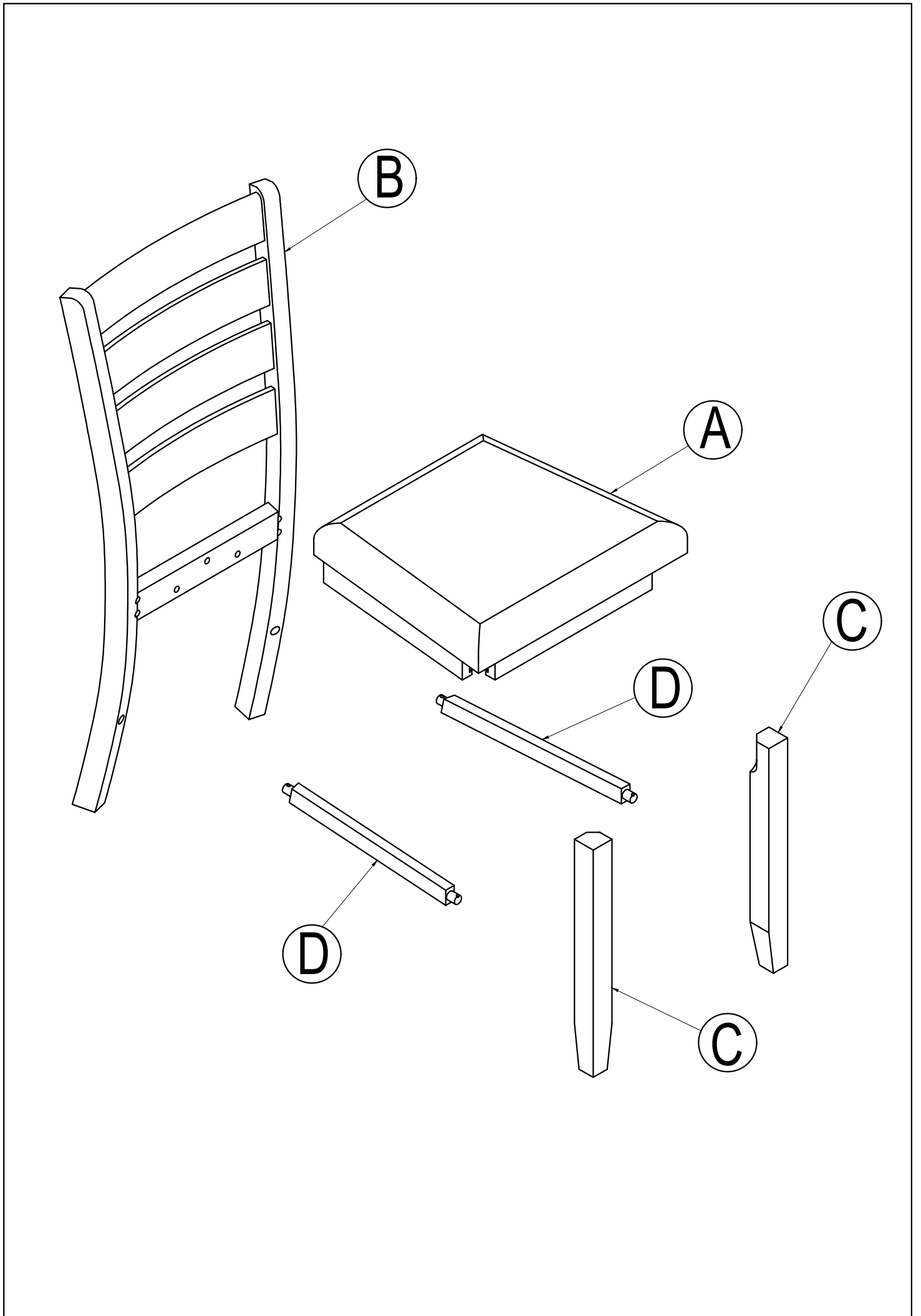
ASSEMBLY INSTRUCTIONS

ITEM NO.WF212300AAE



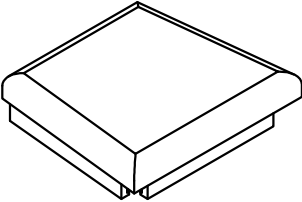
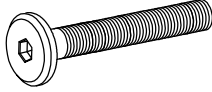
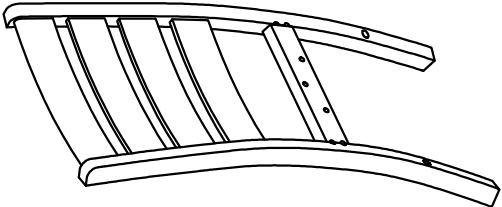
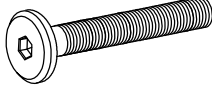
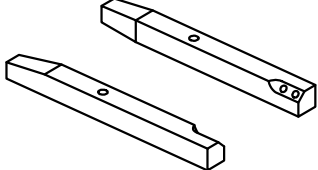
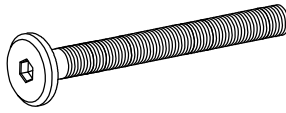

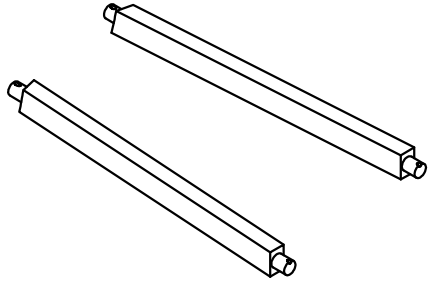
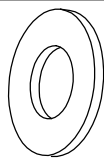

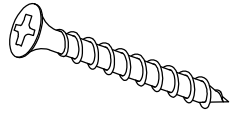
IMPORTANT NOTE :

- ① PLACE ALL PARTS ON A CLEAN AND SMOOTH SURFACE SUCH AS A RUG OR CARPET TO AVOID THE PARTS FROM BEING SCRATCHED.
- ② BEFORE YOU BEGIN,KINDLY FOLLOW THE ASSEMBLY INSTRUCTIONS STEP BY STEP.
- ③ DO NOT TIGHTEN ALL SCREWS AND BOLTS UNTIL THE CHAIR IS FULLY SET-UP.

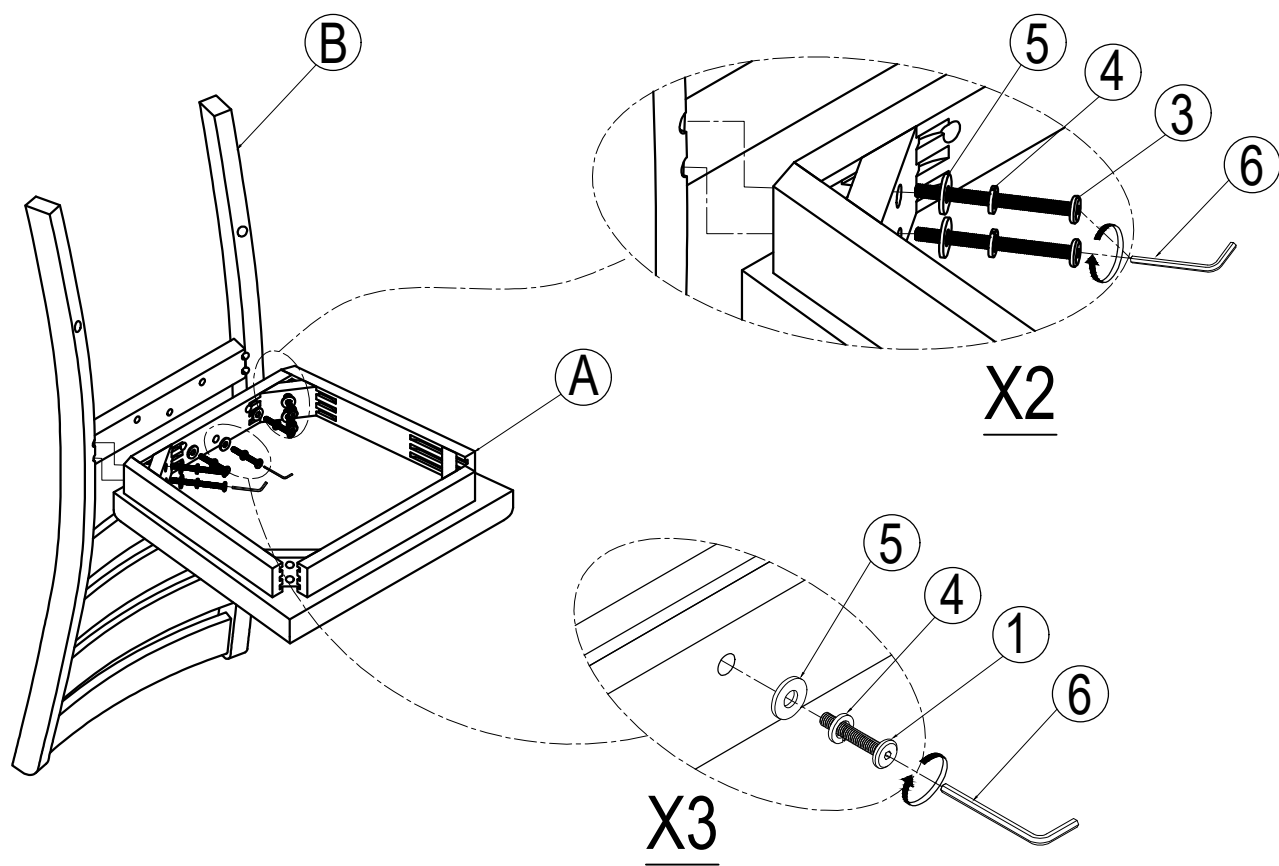


Part List

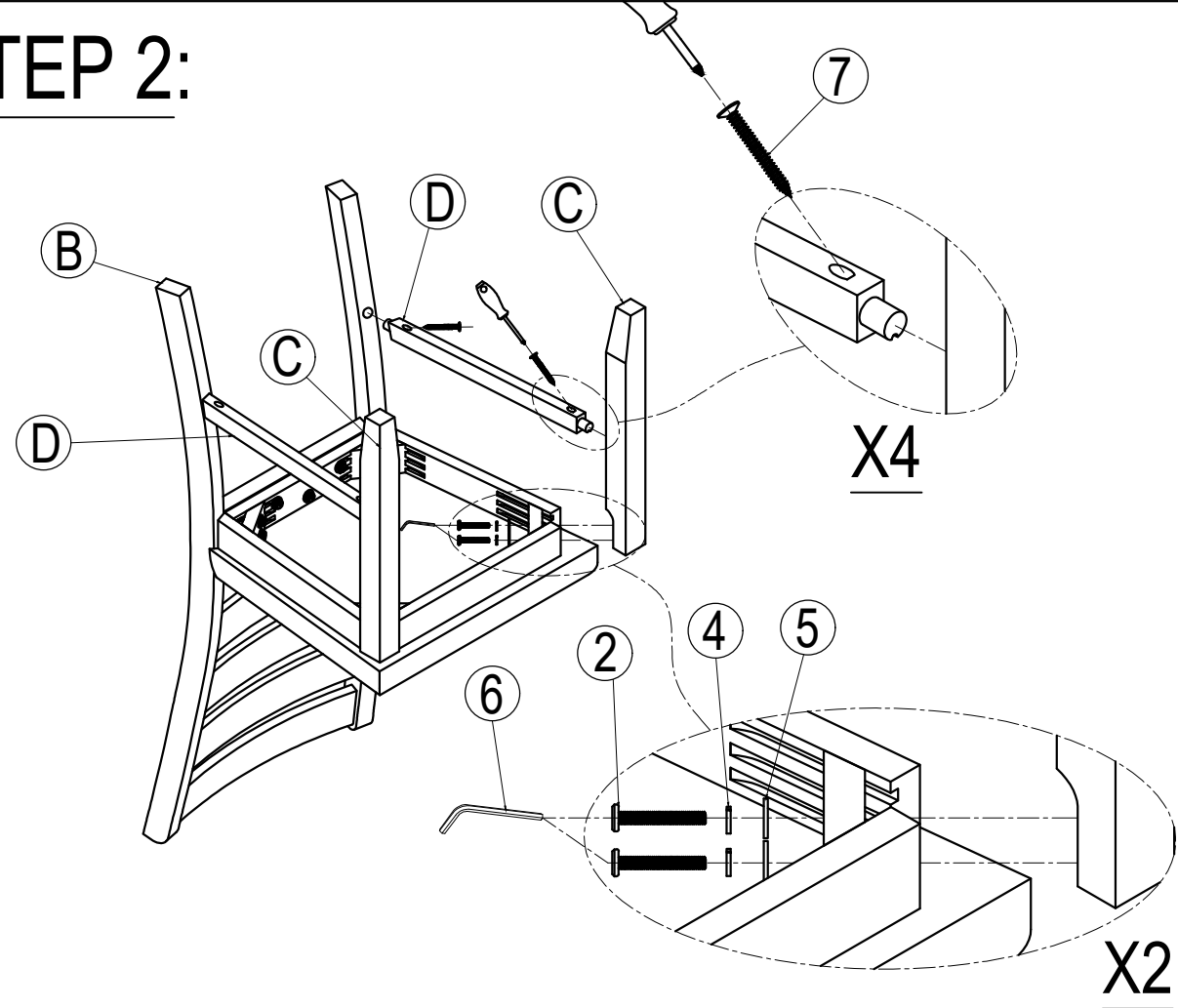
Hardware List

<p>A</p> 	<p>1</p>  <p>Ø 1/4" x 40 mm</p>
<p>CUSHION SEAT (4 pcs)</p>	<p>BOLT (12 pcs)</p>
<p>B</p> 	<p>2</p>  <p>Ø 1/4" x 60 mm</p>
<p>CHAIR BACK (4 pcs)</p>	<p>BOLT (16 pcs)</p>
<p>C</p> 	<p>3</p>  <p>Ø 1/4" x 75 mm</p>
<p>FRONT LEGS (8 pcs) (Left / Right)</p>	<p>4</p>  <p>Ø5/16" x 13 mm</p>
<p>D</p> 	<p>5</p>  <p>Ø5/16" x 19 mm</p>
<p>SIDE STRETCHERS (8 pcs) (Left / Right)</p>	<p>LOCK WASHER (44 pcs)</p>
<p>6</p>  <p>4 mm</p>	<p>7</p>  <p># 4 x 38 mm</p>
<p>ALLEN KEY (1 pc)</p>	<p>WOOD SCREWS (16 pcs)</p>

STEP 1:

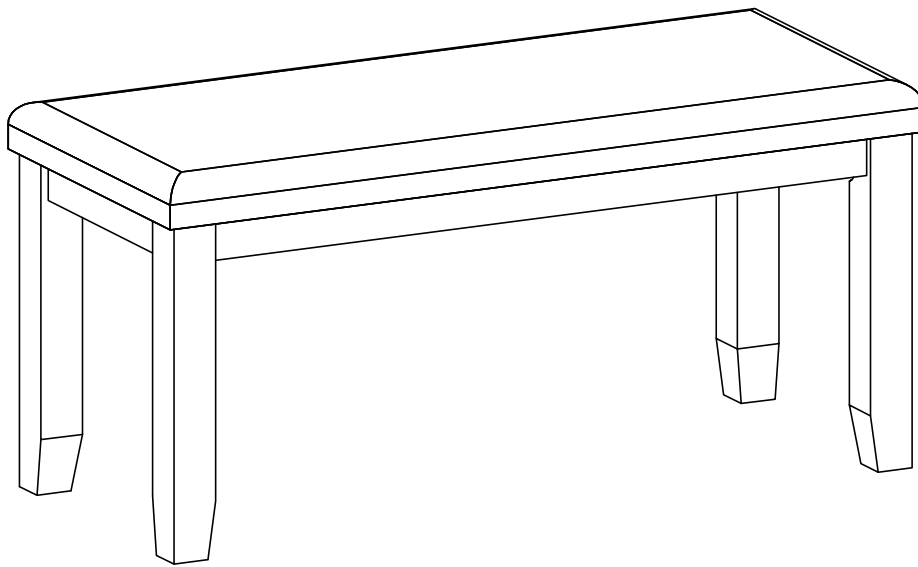


STEP 2:



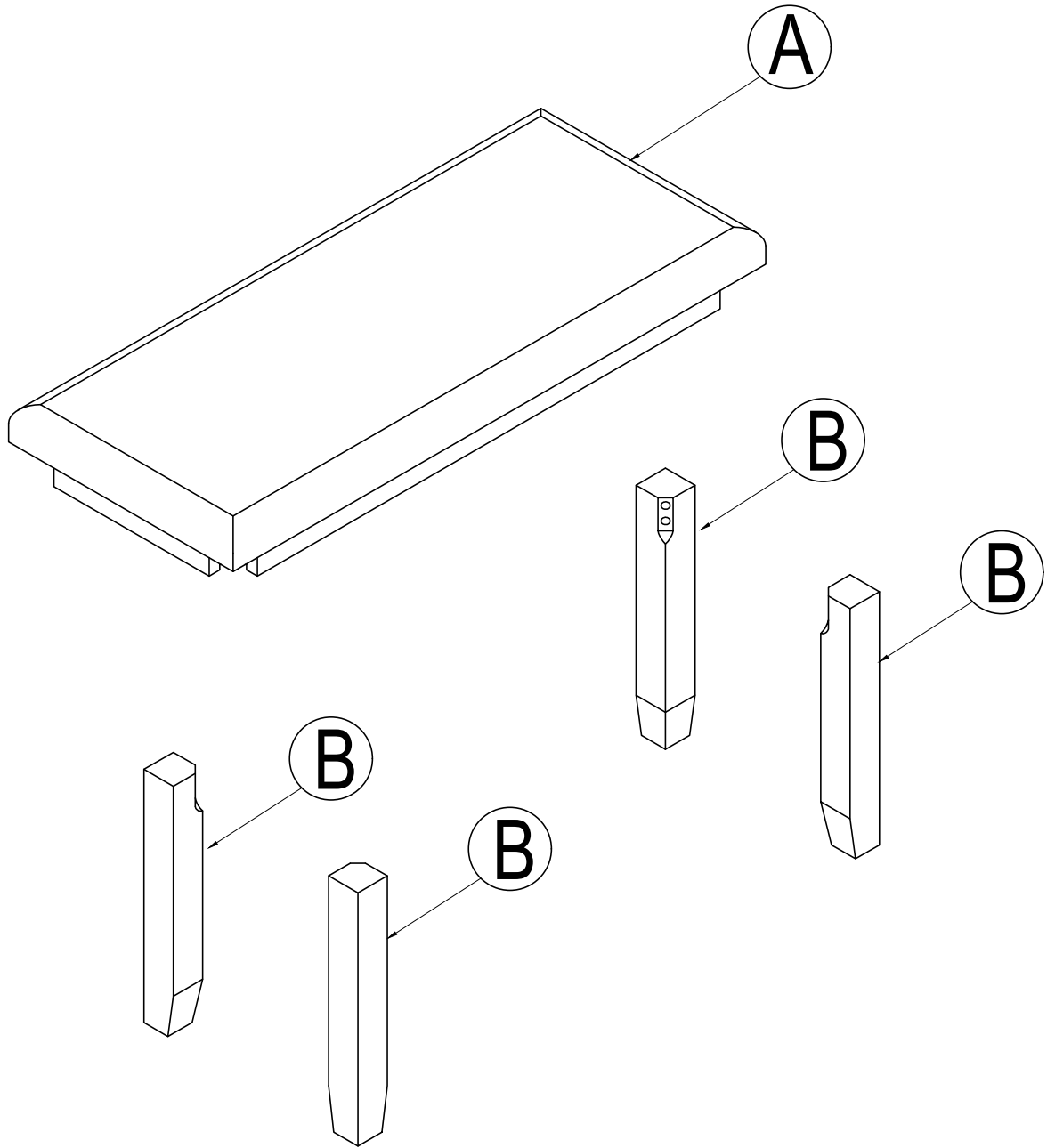
ASSEMBLY INSTRUCTIONS

ITEM NO.WF212300AAE



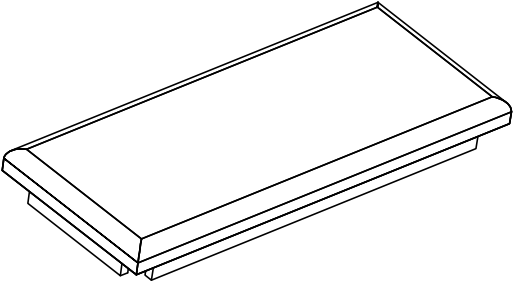
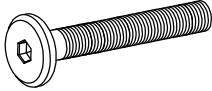
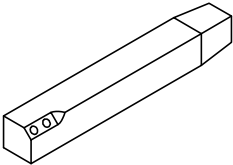

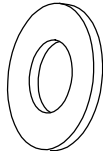

IMPORTANT NOTE :

- ① PLACE ALL PARTS ON A CLEAN AND SMOOTH SURFACE SUCH AS A RUG OR CARPET TO AVOID THE PARTS FROM BEING SCRATCHED.
- ② BEFORE YOU BEGIN,KINDLY FOLLOW THE ASSEMBLY INSTRUCTIONS STEP BY STEP.
- ③ DO NOT TIGHTEN ALL SCREWS AND BOLTS UNTIL THE CHAIR IS FULLY SET-UP.



Part List

Hardware List

<p>Ⓐ</p> 	<p>①</p>  <p>Ø1/4" x 60 mm</p>
<p>BENCH CUSHION SEAT (1 pc)</p>	<p>BOLT (8 pcs)</p>
<p>Ⓑ</p> 	<p>②</p>  <p>Ø5/16" x 13 mm</p>
<p>BENCH LEG (4 pcs)</p>	<p>FLAT WASHER (8 pcs)</p>
	<p>③</p>  <p>Ø5/16" x 19 mm</p>
	<p>LOCK WASHER (8 pcs)</p>
	<p>④</p>  <p># 4 x 38 mm</p>
	<p>ALLEN KEY (1 pc)</p>

STEP 1:

