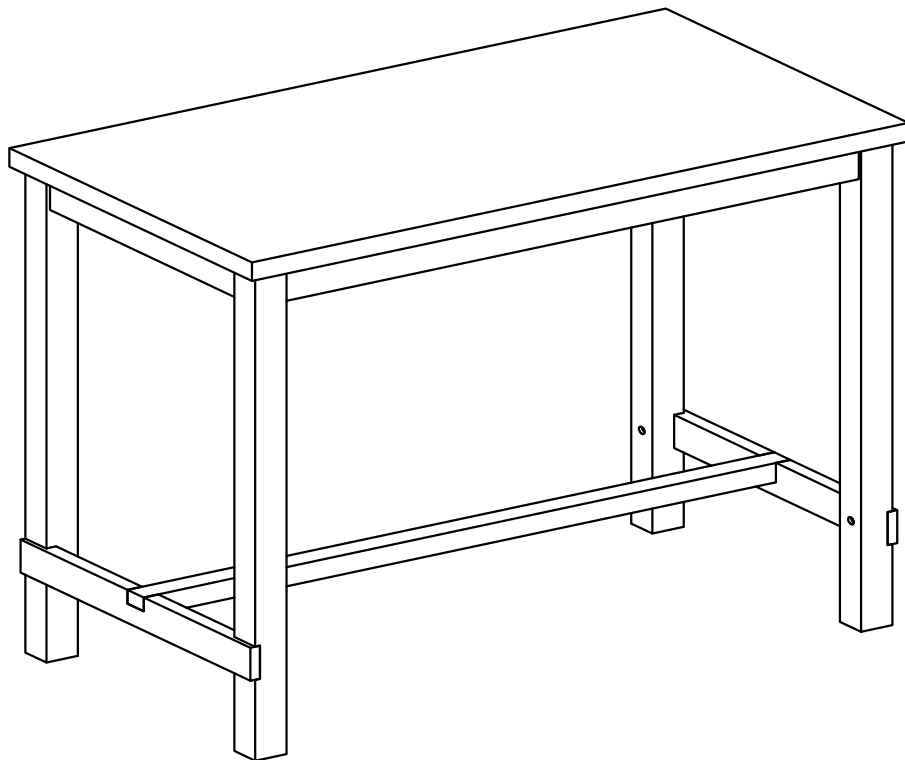


ASSEMBLY INSTRUCTIONS

ITEM NO.196957

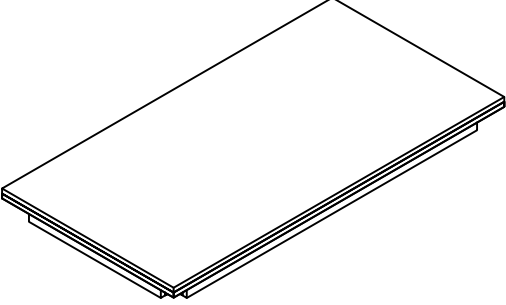
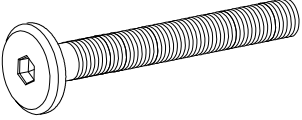
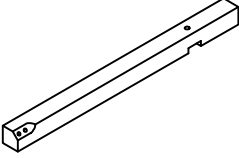
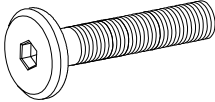
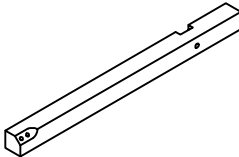
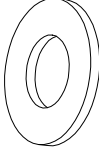
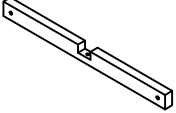

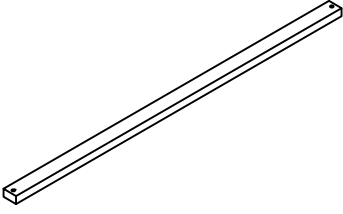



IMPORTANT NOTE :

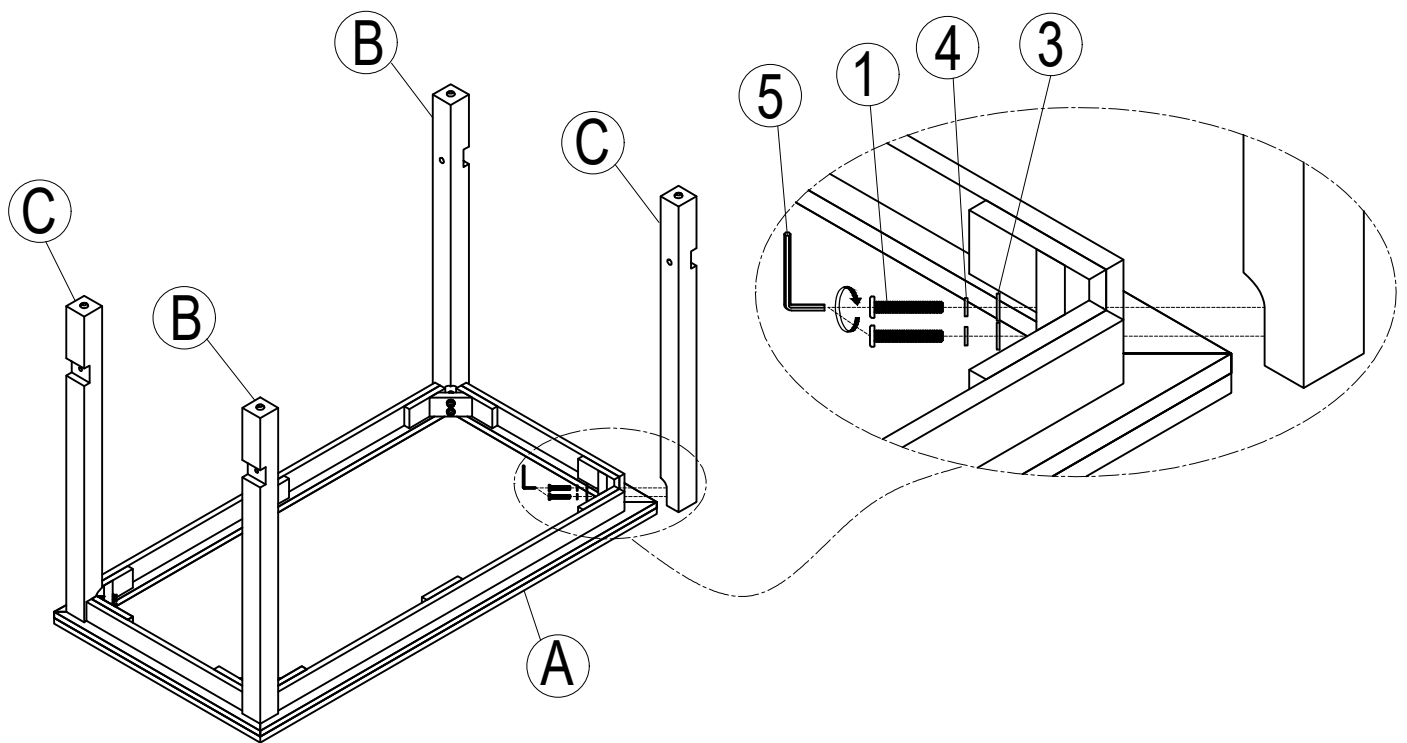
- ① PLACE ALL PARTS ON A CLEAN AND SMOOTH SURFACE SUCH AS A RUG OR CARPET TO AVOID THE PARTS FROM BEING SCRATCHED.
- ② BEFORE YOU BEGIN,KINDLY FOLLOW THE ASSEMBLY INSTRUCTIONS STEP BY STEP.
- ③ DO NOT TIGHTEN ALL SCREWS AND BOLTS UNTIL THE CHAIR IS FULLY SET-UP.

Part List

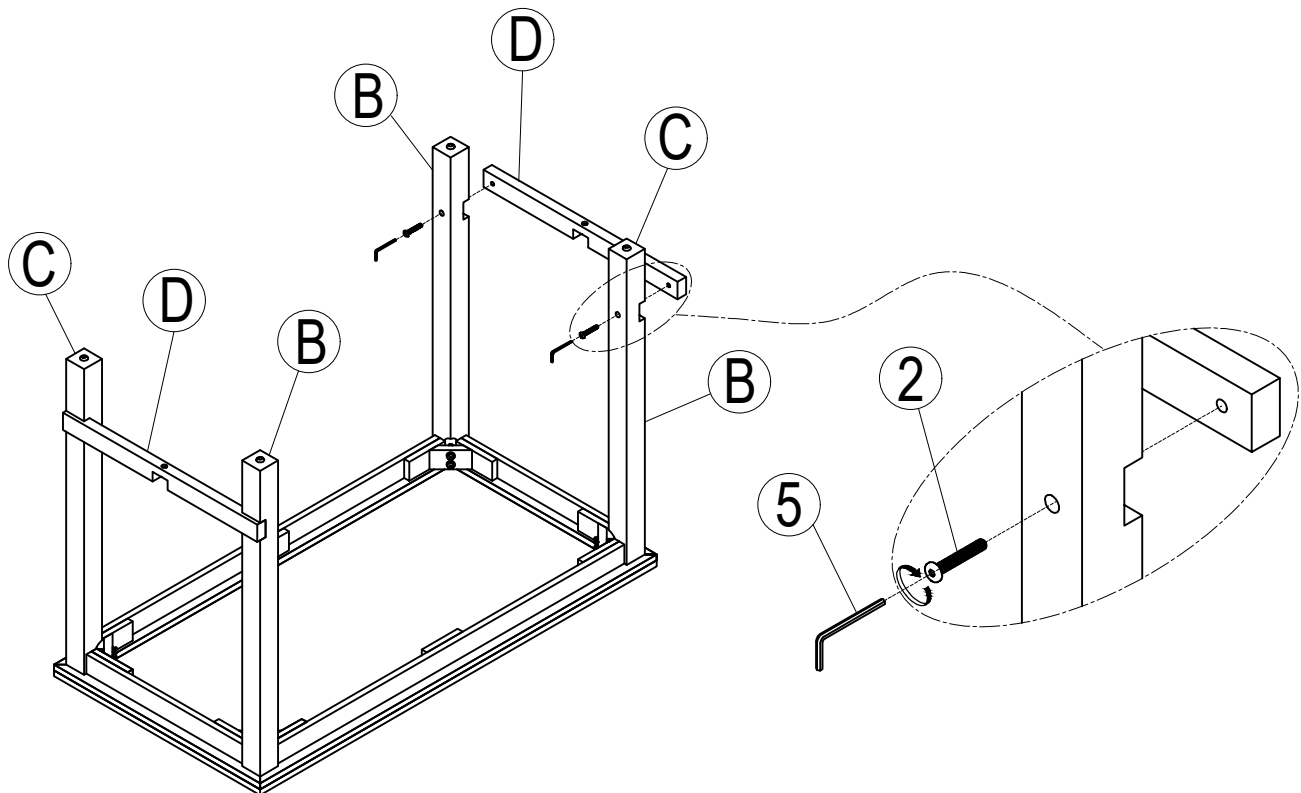
Hardware List

<p>Ⓐ</p> 	<p>①</p>  <p>Ø 5/16" x 65mm</p>
<p>TOP TABLE (1pc)</p>	<p>BOLT (8pcs)</p>
<p>Ⓑ</p> 	<p>②</p>  <p>Ø5/16" x 32mm</p>
<p>LEG TABLE (LEFT) (2pcs)</p>	<p>BOLT (6pcs)</p>
<p>Ⓒ</p> 	<p>③</p>  <p>Ø5/16" x 19mm</p>
<p>LEG TABLE (RIGHT) (2pcs)</p>	<p>LOCK WASHER (8pcs)</p>
<p>Ⓓ</p> 	<p>④</p>  <p>Ø5/16" x 13mm</p>
<p>SHORT STRETCHER (2pcs)</p>	<p>FLAT WASHER (8pcs)</p>
<p>Ⓔ</p> 	<p>⑤</p>  <p>4mm</p>
<p>LONG STRETCHER (1pc)</p>	<p>ALLEN KEY (1pc)</p>

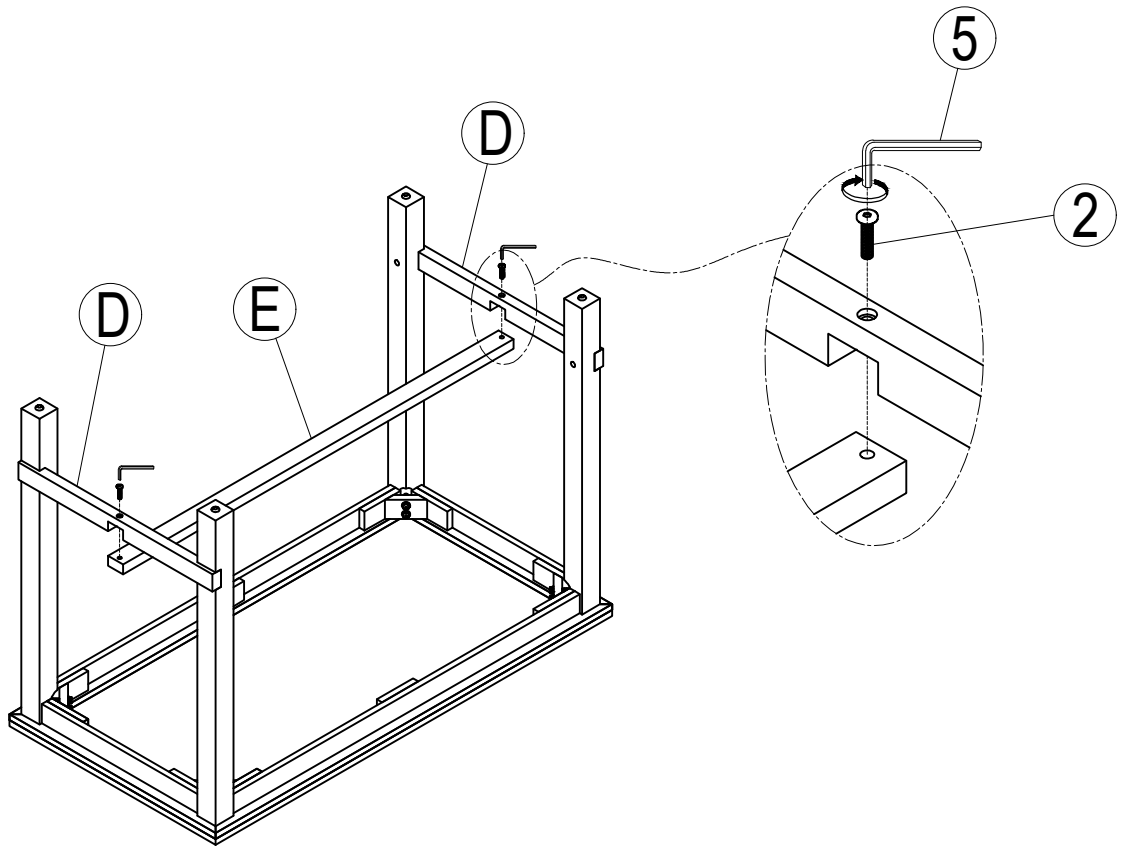
STEP 1:



STEP 2:

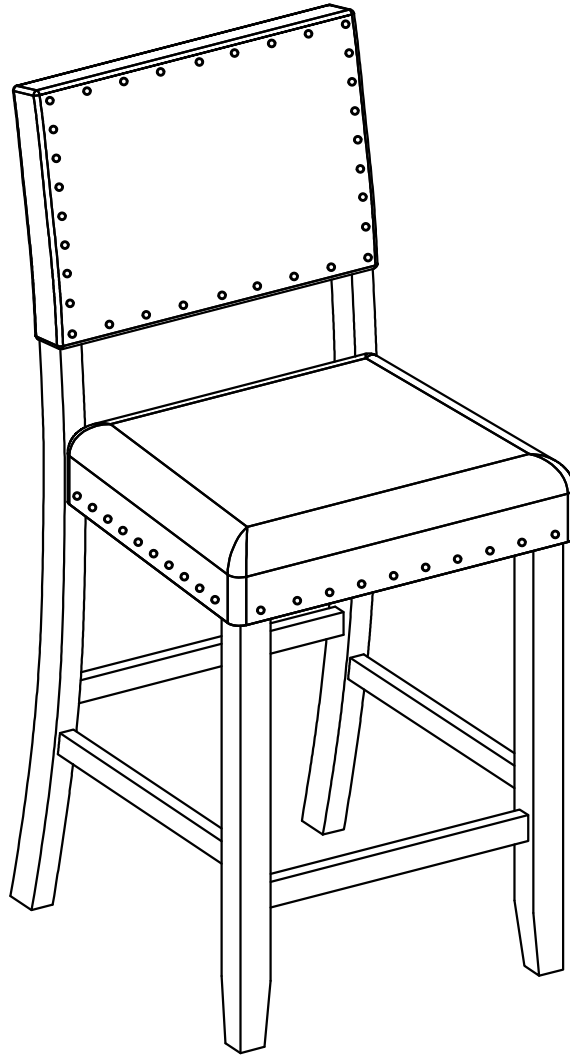


STEP 3:



ASSEMBLY INSTRUCTIONS

ITEM NO.196956

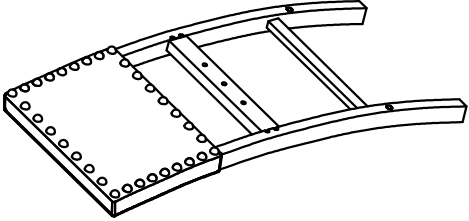

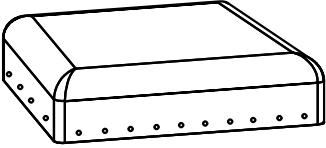

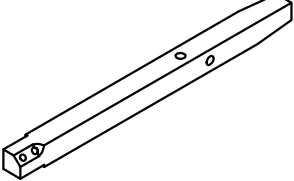

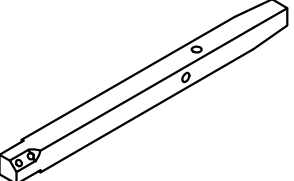
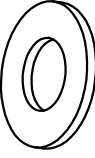

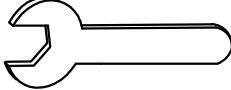
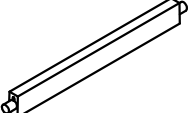



IMPORTANT NOTE :

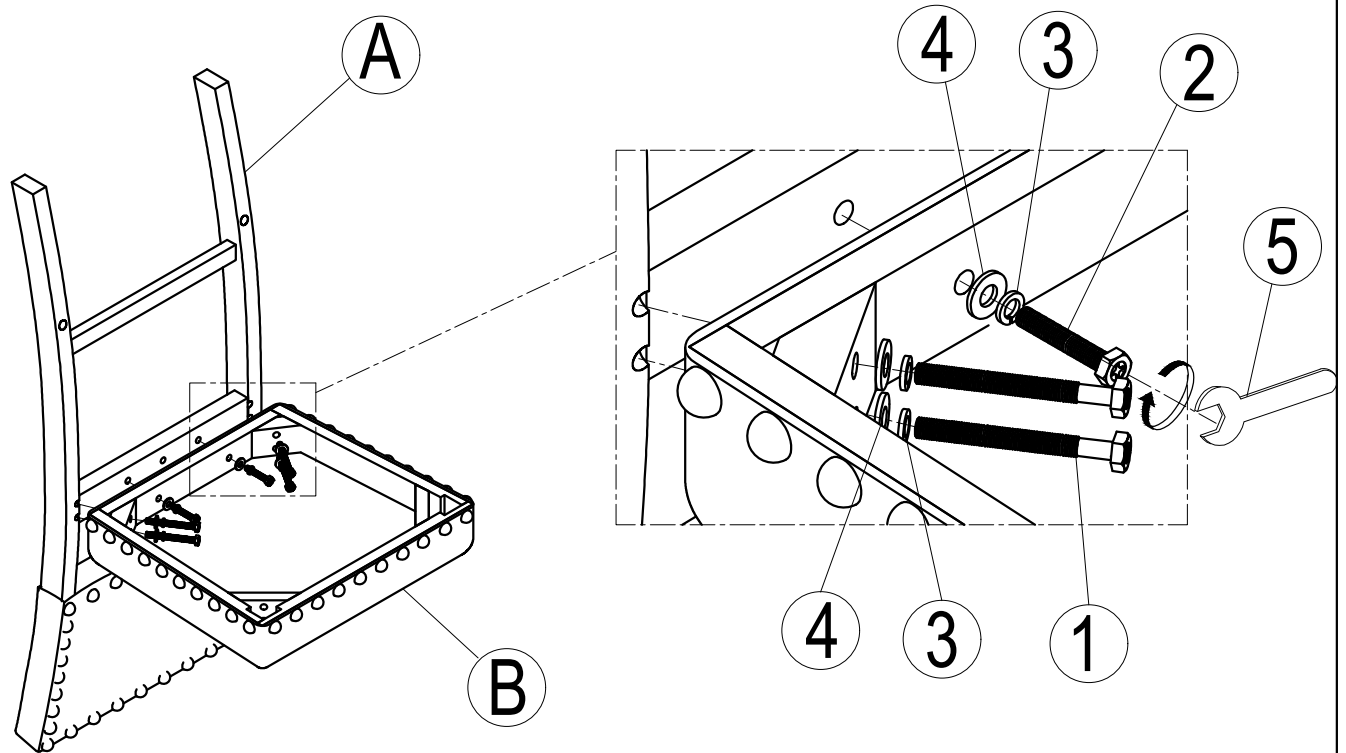
- ① PLACE ALL PARTS ON A CLEAN AND SMOOTH SURFACE SUCH AS A RUG OR CARPET TO AVOID THE PARTS FROM BEING SCRATCHED.
- ② BEFORE YOU BEGIN,KINDLY FOLLOW THE ASSEMBLY INSTRUCTIONS STEP BY STEP.
- ③ DO NOT TIGHTEN ALL SCREWS AND BOLTS UNTIL THE CHAIR IS FULLY SET-UP.

Part List

Hardware List

<p>(A)</p> 	<p>1</p>  <p>Ø 1/4" x 75mm</p>
<p>CHAIR BACK POST (4pcs)</p>	<p>BOLT (16pcs)</p>
<p>(B)</p> 	<p>2</p>  <p>Ø 1/4" x 45mm</p>
<p>SEAT CUSHION (4pcs)</p>	<p>BOLT (24pcs)</p>
<p>(C)</p> 	<p>3</p>  <p>Ø5/16"x13mm</p>
<p>FRONT LEG (LEFT) (4pcs)</p>	<p>FLAT WASHER (40pcs)</p>
<p>(D)</p> 	<p>4</p>  <p>Ø5/16" x 19mm</p>
<p>FRONT LEG (RIGHT) (4pcs)</p>	<p>LOCK WASHER (40pcs)</p>
<p>(E)</p> 	<p>5</p> 
<p>SIDE STRETCHER (8pcs)</p>	<p>ALLEN WRENCH (1pc)</p>
<p>(F)</p> 	<p>6</p>  <p>Ø4 x 38mm</p>
<p>FRONT STRETCHER (4pcs)</p>	<p>SCREW (24pcs)</p>

STEP 1:



STEP 2:

