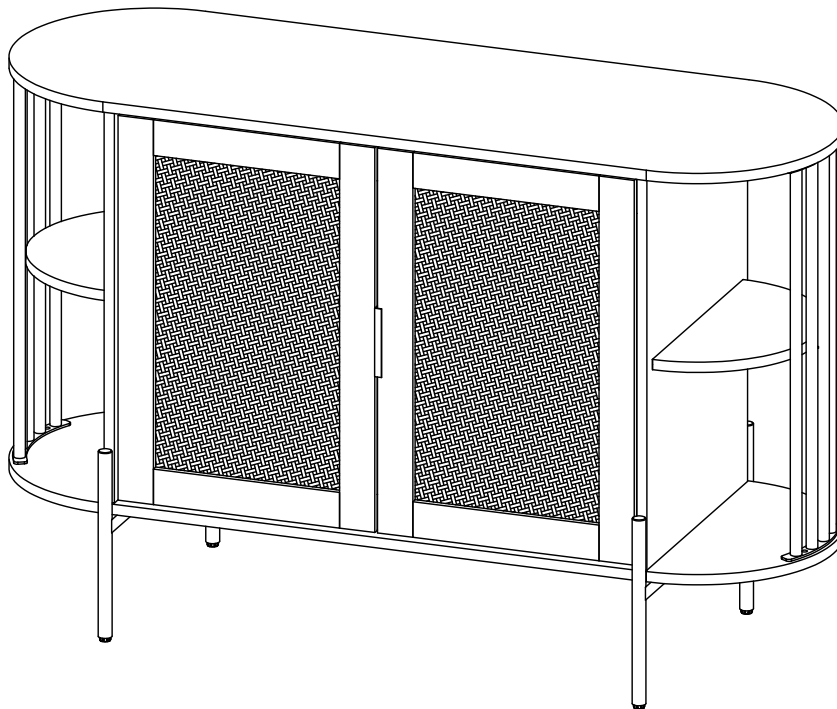


# N715P172740

Assembly Instruction - Please keep for future reference

## CABINET



### Dimensions

Length-47.24inch

Width-15.75inch

Height-30.71inch

Important – Please read these instructions fully before starting assembly

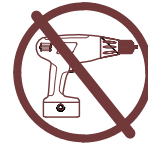


## Safety and Care Advice

**Important – Please read these instructions fully before starting assembly**

- Check you have all the components and tools listed on the following pages.
- Remove all fittings from the plastic bags and separate them into their groups.
- Keep children and animals away from the work area, small parts could choke if swallowed.
- Make sure you have enough space to layout the parts before starting.

- During assembly do not stand or put weight on the product, this could cause damage.
- Assemble the item as close to its final position (in the same room) as possible.
- Assemble on a soft level surface to avoid damaging the unit or your floor.
- Parts of the assembly will be easier with 2 people.



- To reduce the likelihood of damaging your product please ensure that your power drill is set on a low torque setting.

### Care and maintenance

- Only clean using a damp cloth and mild detergent, do not use bleach or abrasive cleaners.
- From time to time check that there are no loose screws on this unit.
- This product should not be discarded with household waste. Take to your local authority waste disposal centre.

### Handy Hints

- Assemble all parts and bolts loosely during assembly, only once the product is complete should you fully tighten the bolts
- Regularly check and ensure That all bolts and fittings are tightend properly.

**WARNING**  
**In order to help prevent overturning – please follow these instructions**



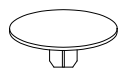



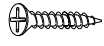
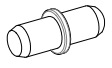
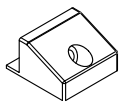

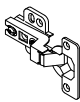



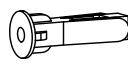

To help prevent product toppling over please follow the below steps:-

- Use the anti tip stap or wall fixing method provided (if applicable)
- Do not allow children to climb or hang on the furniture
- Do not open more than one drawer at a time
- Do not place heavy items in the top drawers
- Do not place heavy items on top of the furniture, unless the furniture has been designed for this purpose

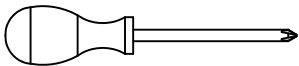
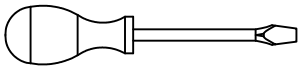
# Components - Fittings

Please check you have all the panels listed below

Note: The quantities below are the correct amount to complete the assembly. In some cases more fittings may be supplied than are required.

<p><b>A1</b></p>  <p>Cam lock x 5</p>	<p><b>A2</b></p>  <p>Cam bolt x 5</p>	<p><b>A3</b></p>  <p>Cam cap x 5</p>	<p><b>B</b></p>  <p>8*30mm Dowel x 8</p>
<p><b>C</b></p>  <p>6*50mm Screw x 10</p>	<p><b>D</b></p>  <p>Allen key x 1</p>	<p><b>E</b></p>  <p>3.5*16mm Screw x 52</p>	<p><b>F</b></p>  <p>Metal Shelf Support x 4</p>
<p><b>G1</b></p>  <p>Stub 192 x 8</p>	<p><b>G2</b></p>  <p>Tapping Screw 4*3/4" x 8</p>	<p><b>H</b></p>  <p>Hinges x 4</p>	<p><b>I</b></p>  <p>Handle EM0071 x 1</p>
<p><b>J1</b></p>  <p>4*12mm Screw x 2</p>	<p><b>J2</b></p>  <p>4*50mm Screw x 2</p>	<p><b>J3</b></p>  <p>Wall plug x 2</p>	<p><b>J4</b></p>  <p>PVC strip x 2</p>

## Tools required

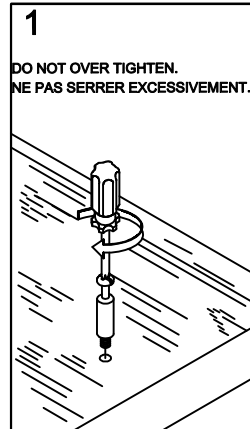


Philips screwdriver  
(medium & large)

# Using Camlocks

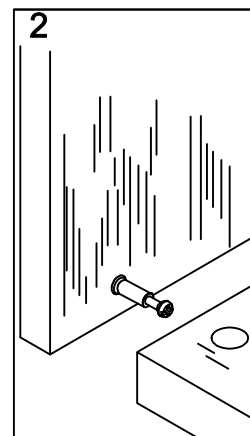
## Step 1

Connect the male camlock as directed in the assembly instructions using a screwdriver.



## Step 2

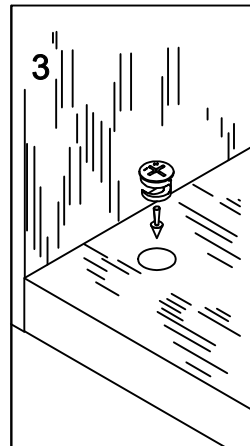
Push the male camlock into the entry hole.



## Step 3

Insert the female camlock as shown in the instruction.

Note: ensure that the arrow on the top of the camlock points towards the entry hole for the male camlock.

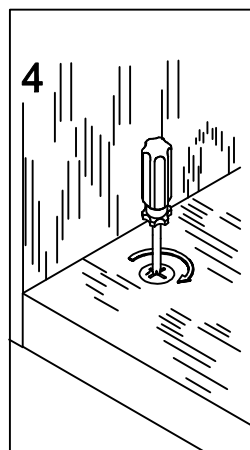


## Step 4

Turn the female camlock clockwise with a screwdriver.

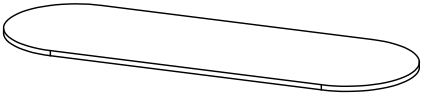
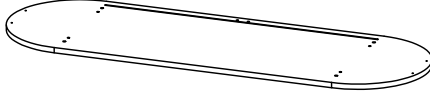
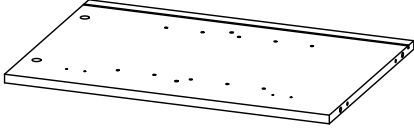
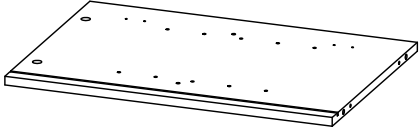
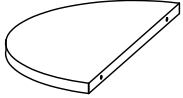

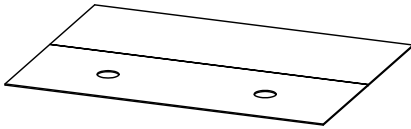
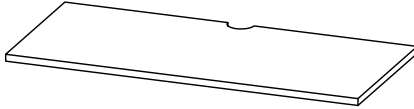
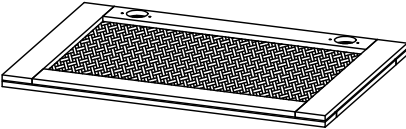
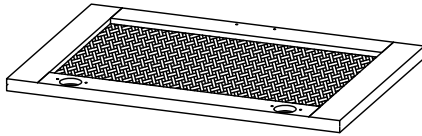
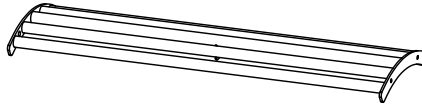
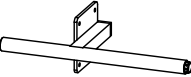
You should feel a click when the camlock is locked in place.

The joint is now secure.

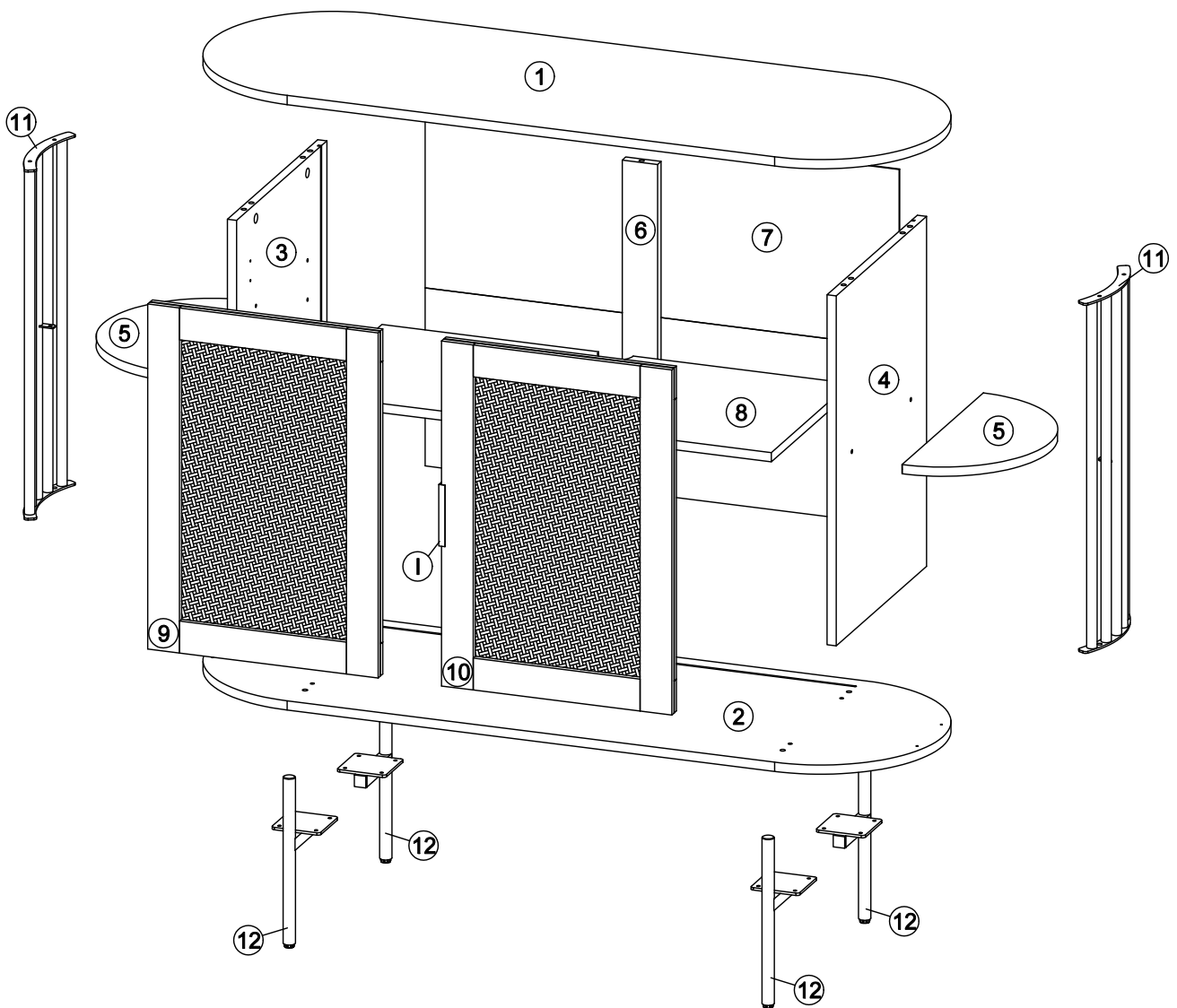


# Components - Parts

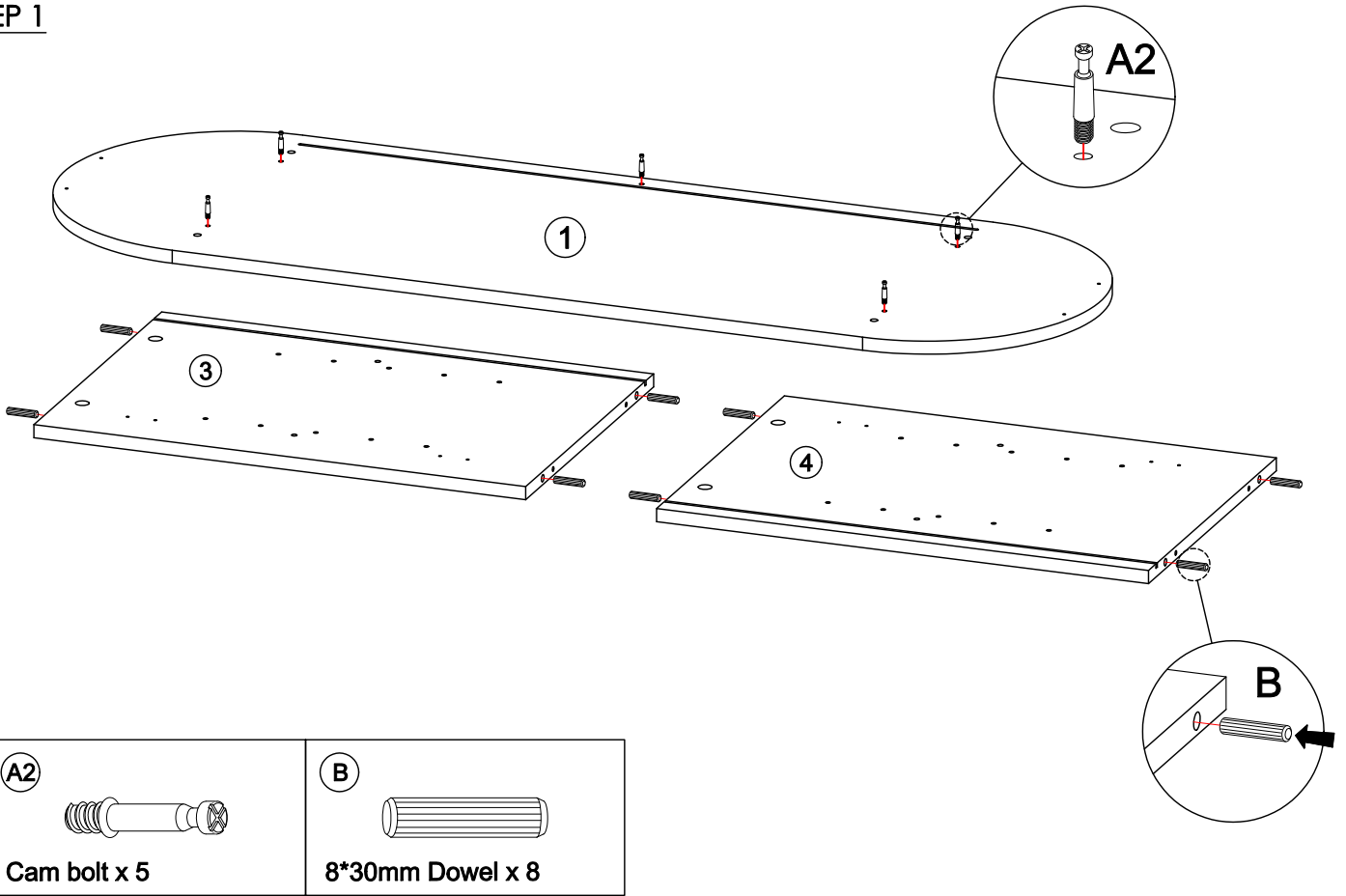
Please check you have all the panels listed below

<p>①</p> 	<p>②</p> 	<p>③</p> 
<p><b>Top Panel</b> 1200*400*15 1 PC</p>	<p><b>Bottom Panel</b> 1200*400*15 1 PC</p>	<p><b>Side Panel (L)</b> 570*392*15 1 PC</p>
<p>④</p> 	<p>⑤</p> 	<p>⑥</p> 
<p><b>Side Panel (R)</b> 570*392*15 1 PC</p>	<p><b>Middle Panel (L/R)</b> 177*353*15 2 PCS</p>	<p><b>Back Bone</b> 570*58*15 1 PC</p>
<p>⑦</p> 	<p>⑧</p> 	<p>⑨</p> 
<p><b>Back Panel</b> 778*290*2.5 1 PC</p>	<p><b>Shelf Panel</b> 768*341*15 1 PC</p>	<p><b>Door Panel (L)</b> 562*378*20 1 PC</p>
<p>⑩</p> 	<p>⑪</p> 	<p>⑫</p> 
<p><b>Door Panel (R)</b> 562*378*20 1 PC</p>	<p><b>Metal Support</b> 187*40*570 2 PCS</p>	<p><b>Metal Leg</b> 120*80*277 4 PCS</p>

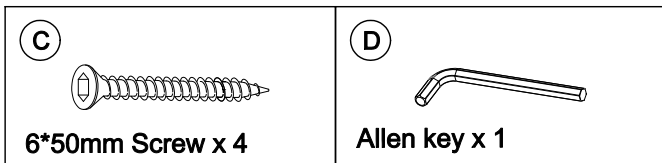
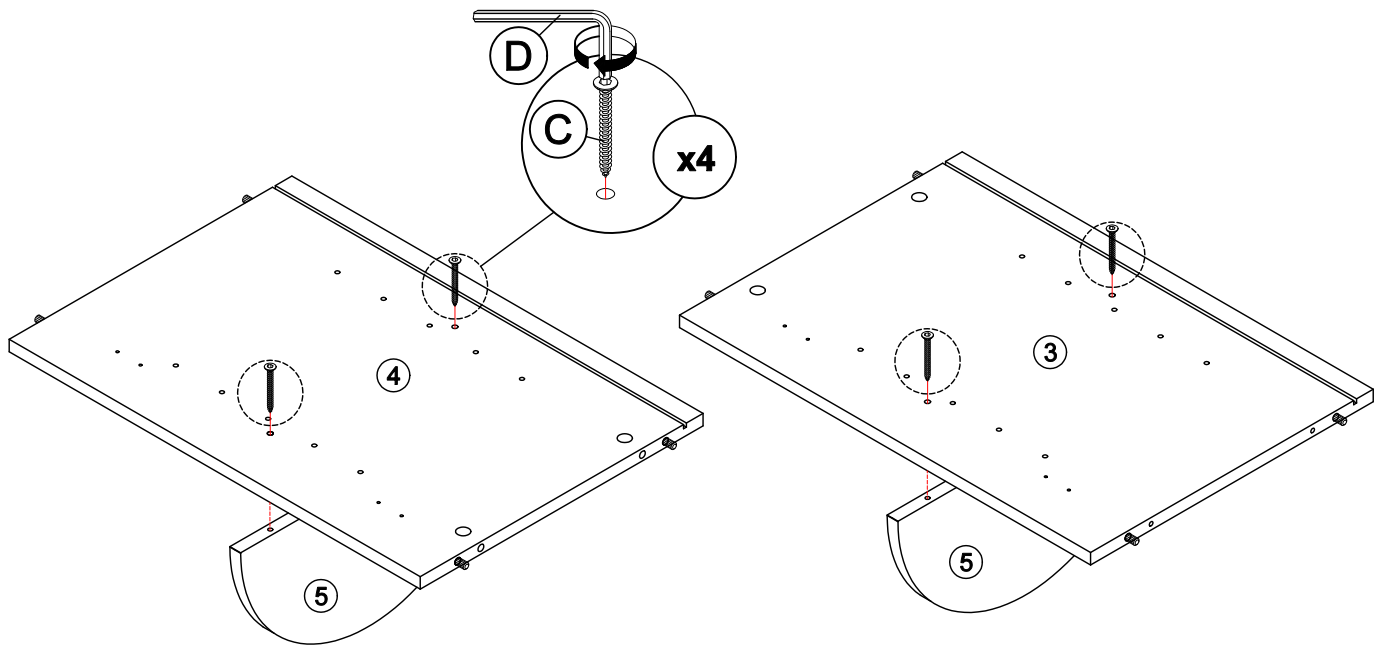
# Assembly Instruction



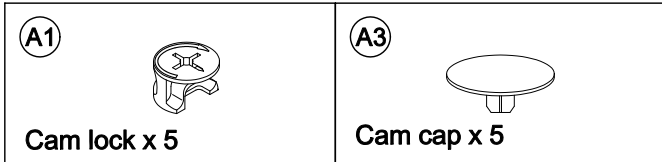
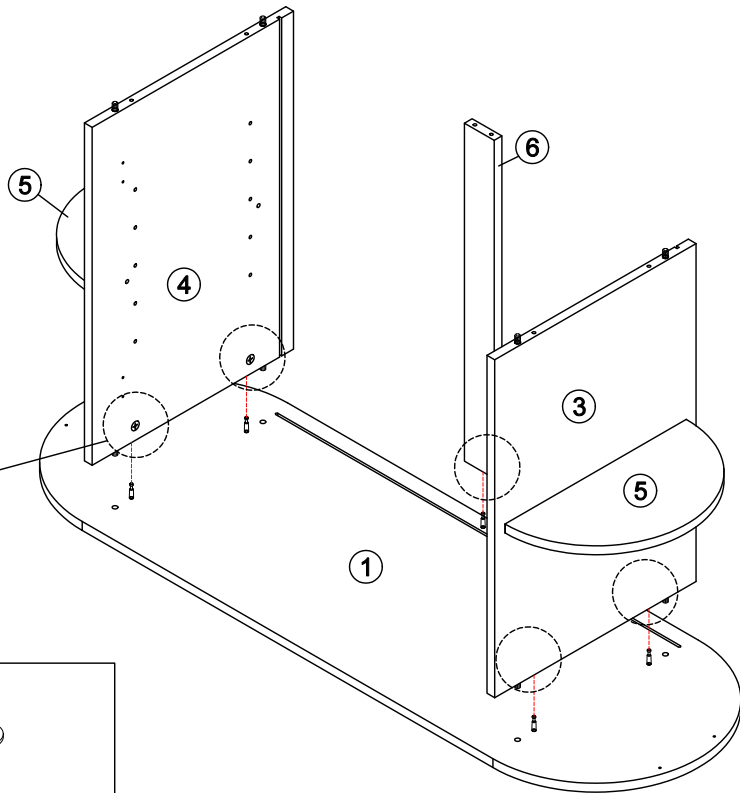
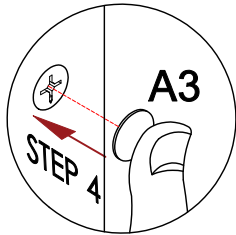
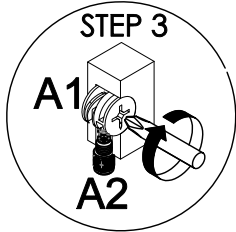
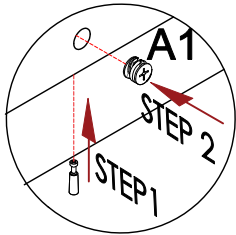
**STEP 1**



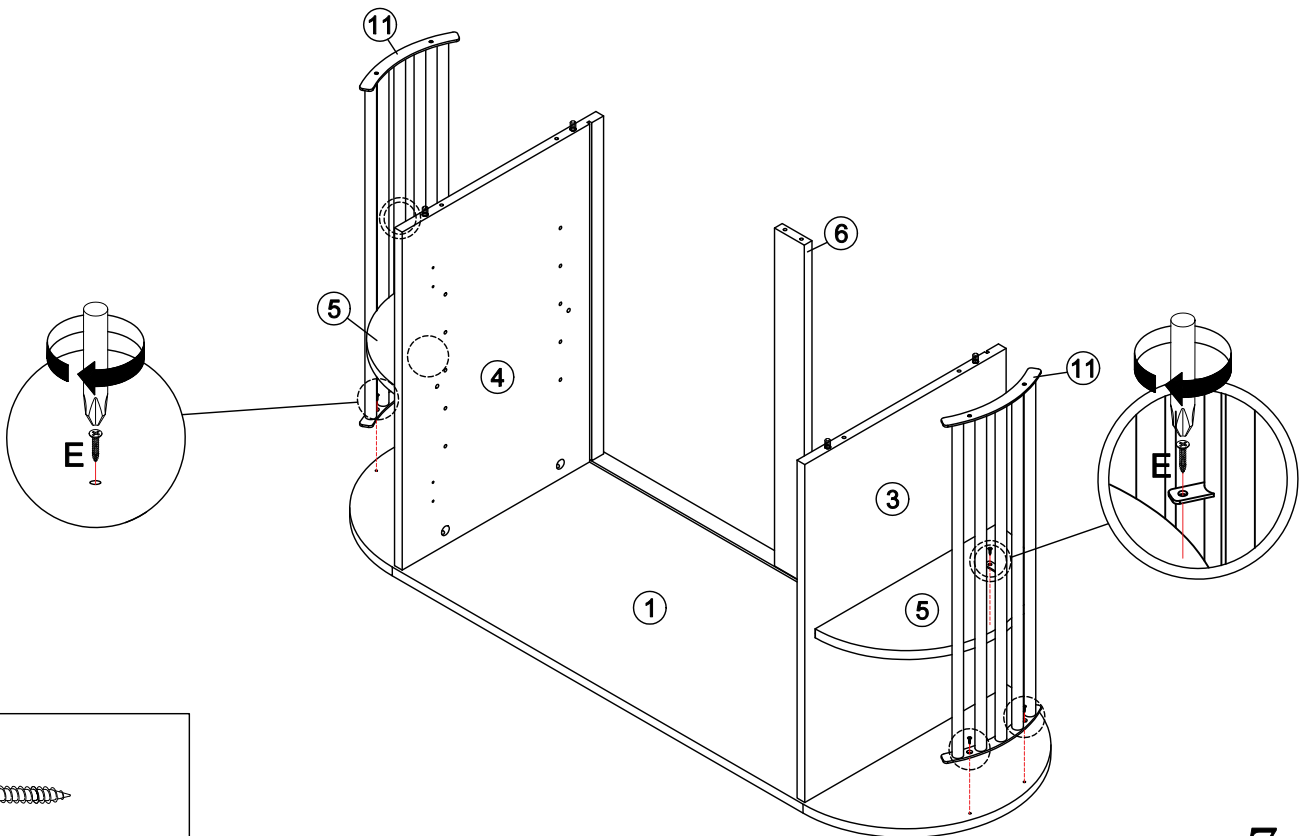
**STEP 2**



**STEP 3**

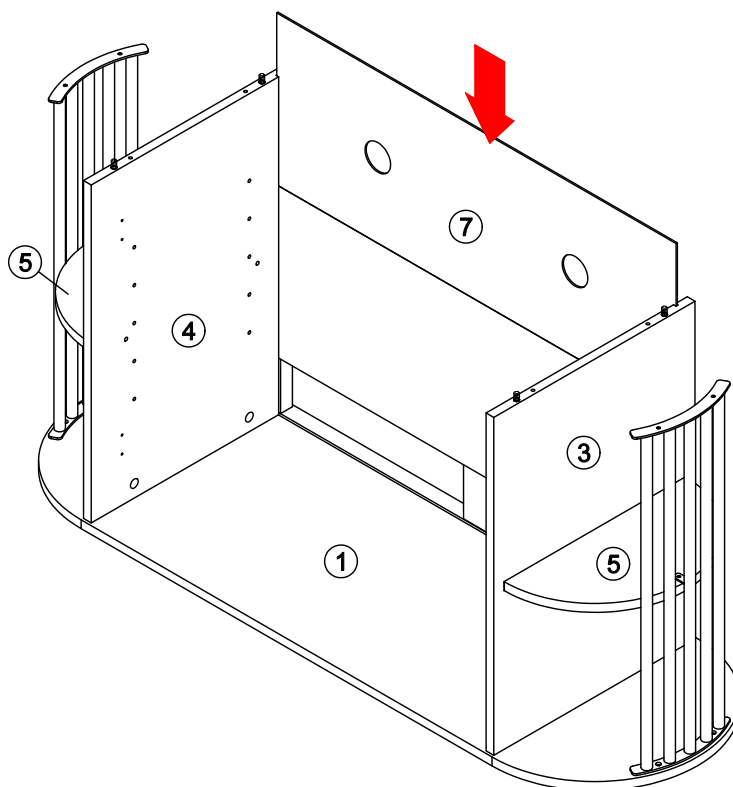


**STEP 4**

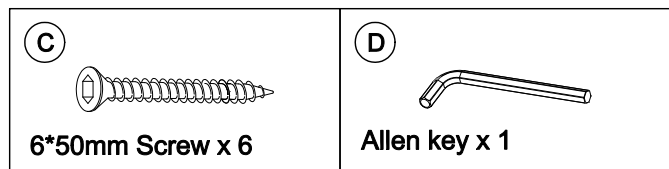
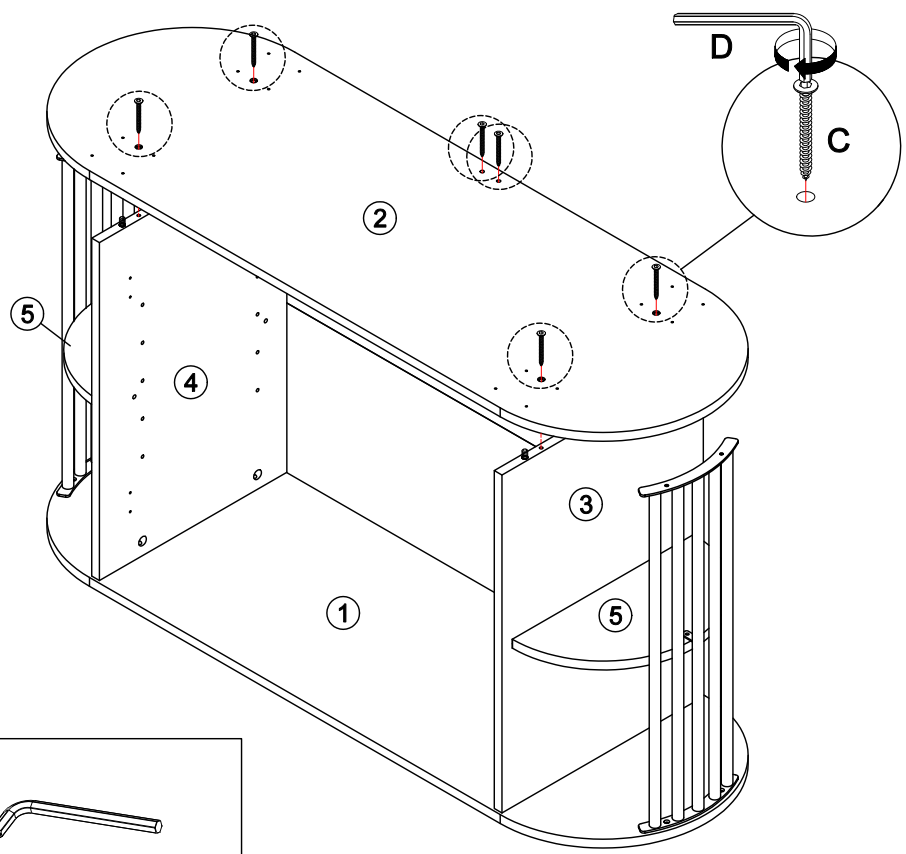




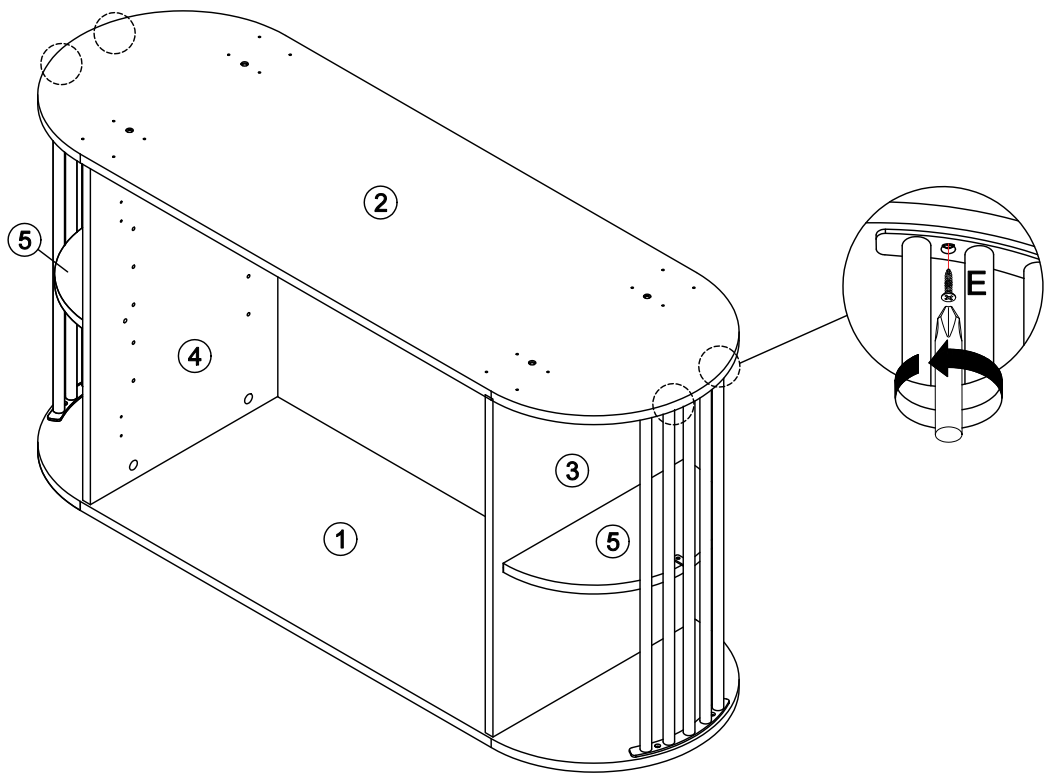
**STEP 5**



**STEP 6**



**STEP 7**

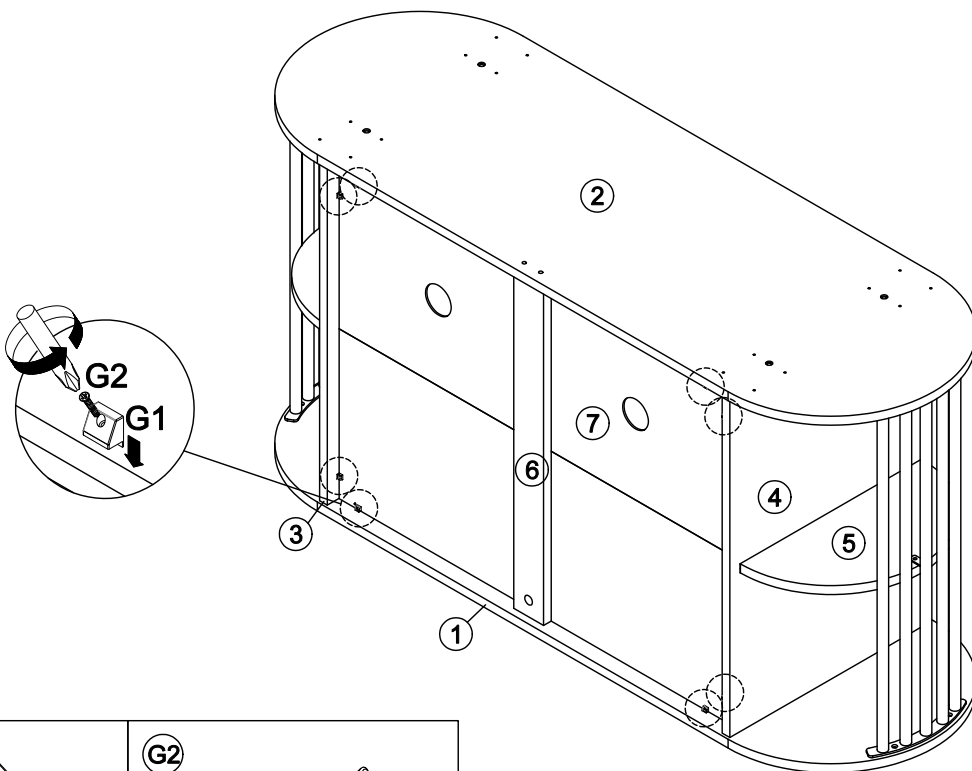


**E**

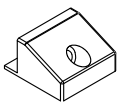


**3.5\*16mm Screw x 4**

**STEP 8**



**G1**



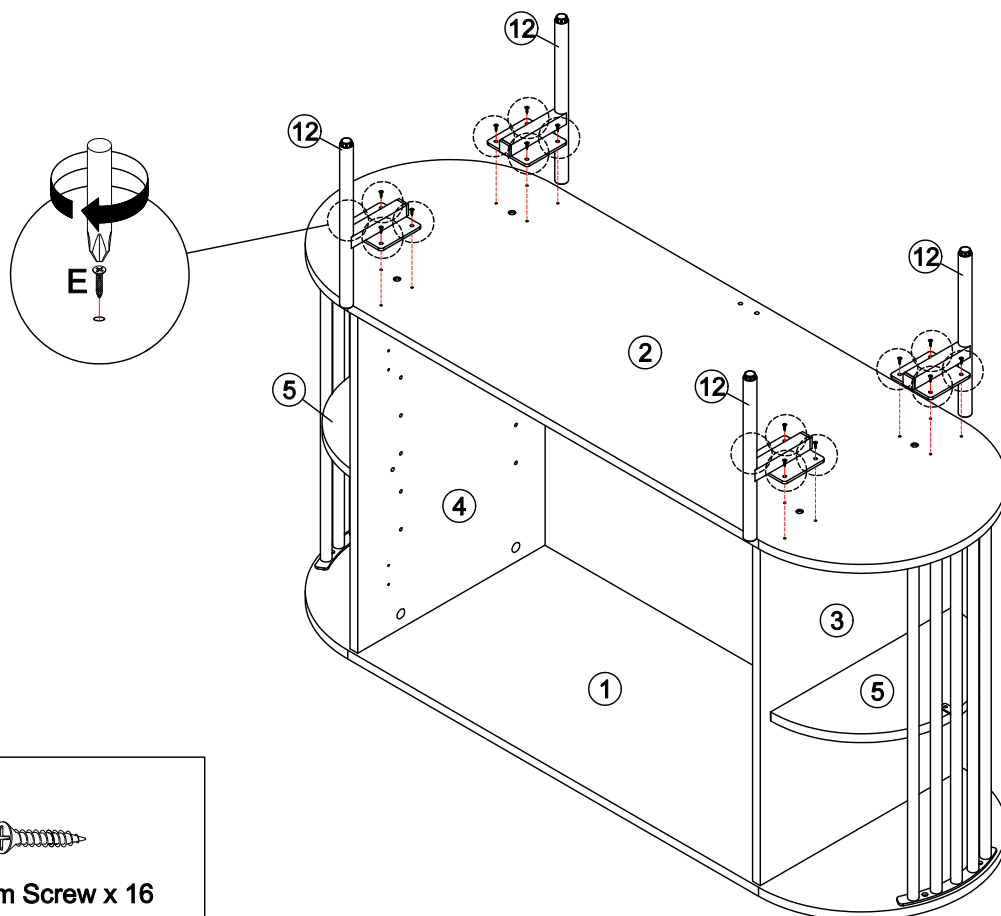
**Stub 192 x 8**

**G2**

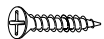


**Tapping Screw 4\*3/4" x 8**

**STEP 9**

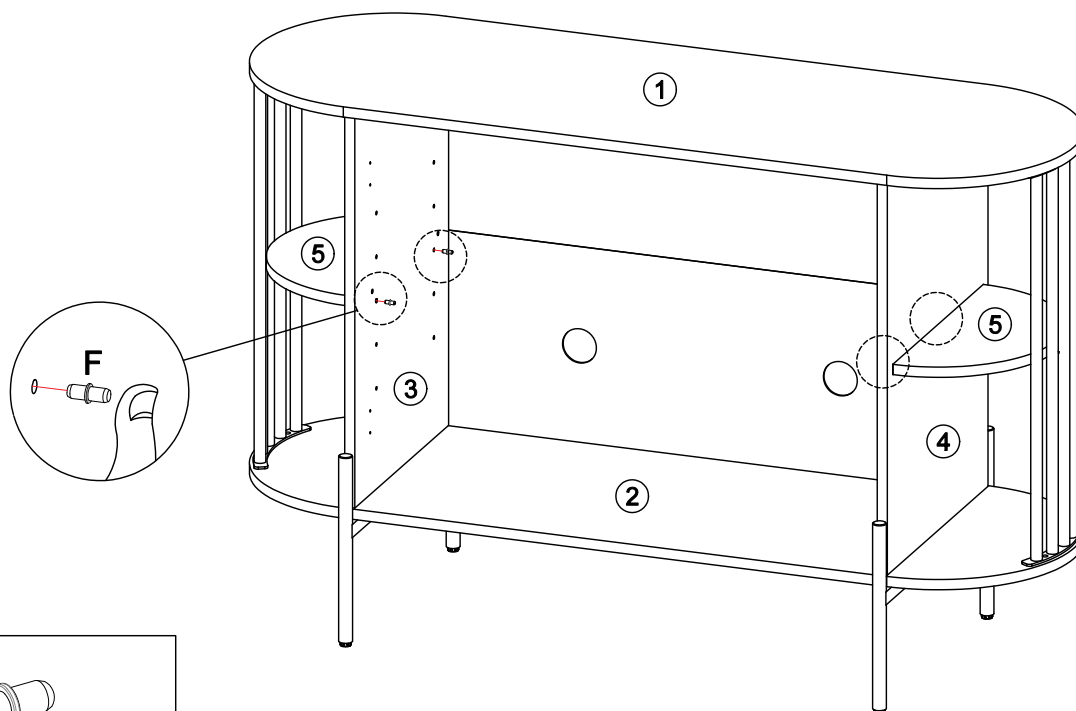


**E**

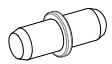


**3.5\*16mm Screw x 16**

**STEP 10**

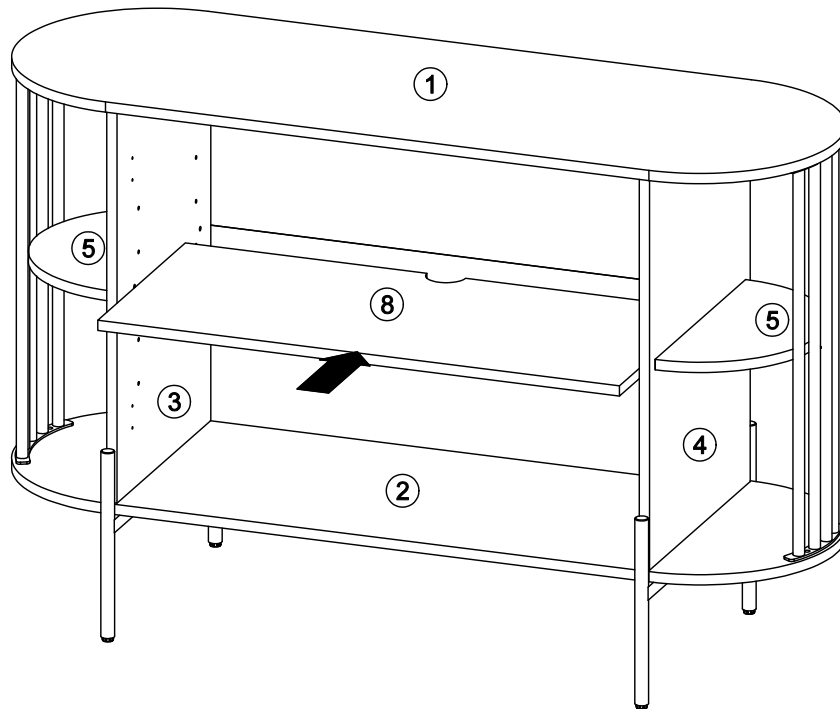


**F**

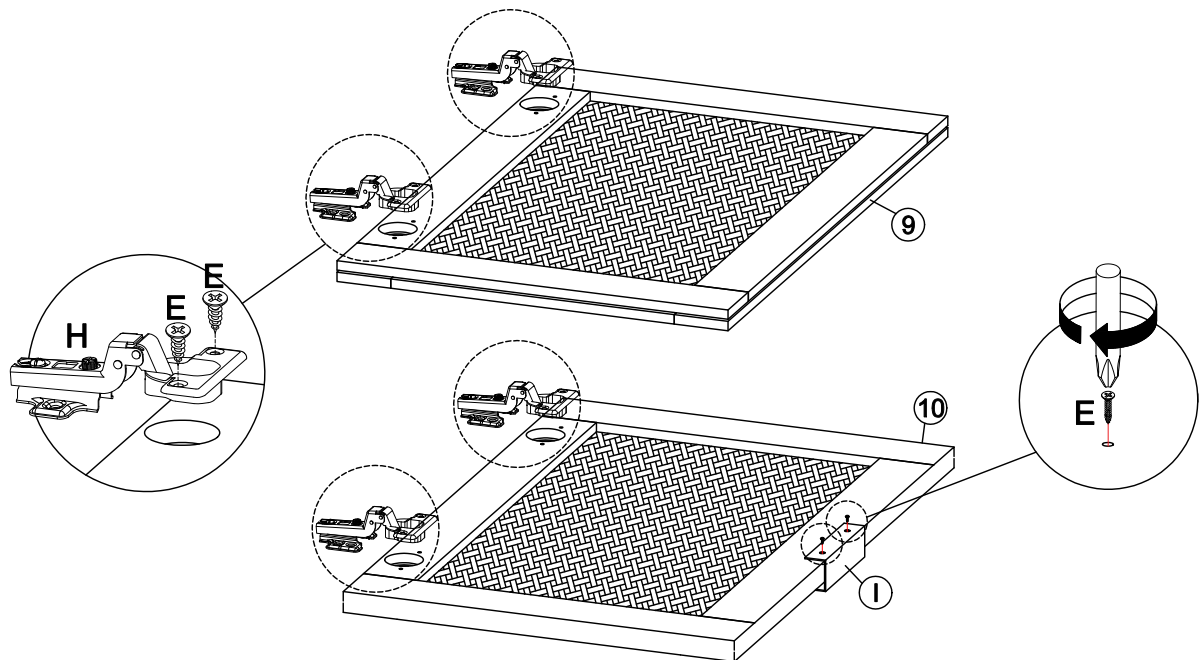



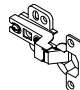
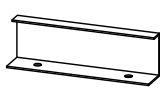
**Metal Shelf Support x 4**

**STEP 11**

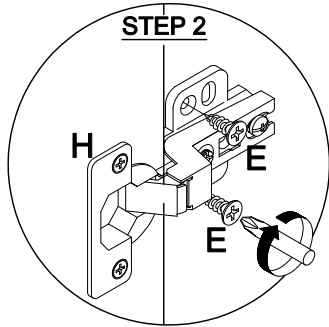
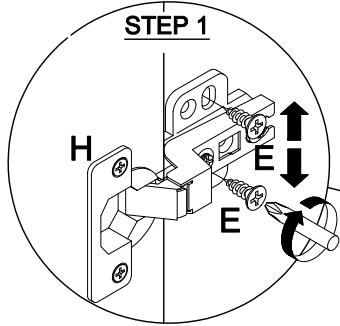


**STEP 12**



<p><b>E</b></p>  <p>3.5*16mm Screw x 10</p>	<p><b>H</b></p>  <p>Hinges x 4</p>	<p><b>I</b></p>  <p>Handle EM0071 x 1</p>
--	---	--

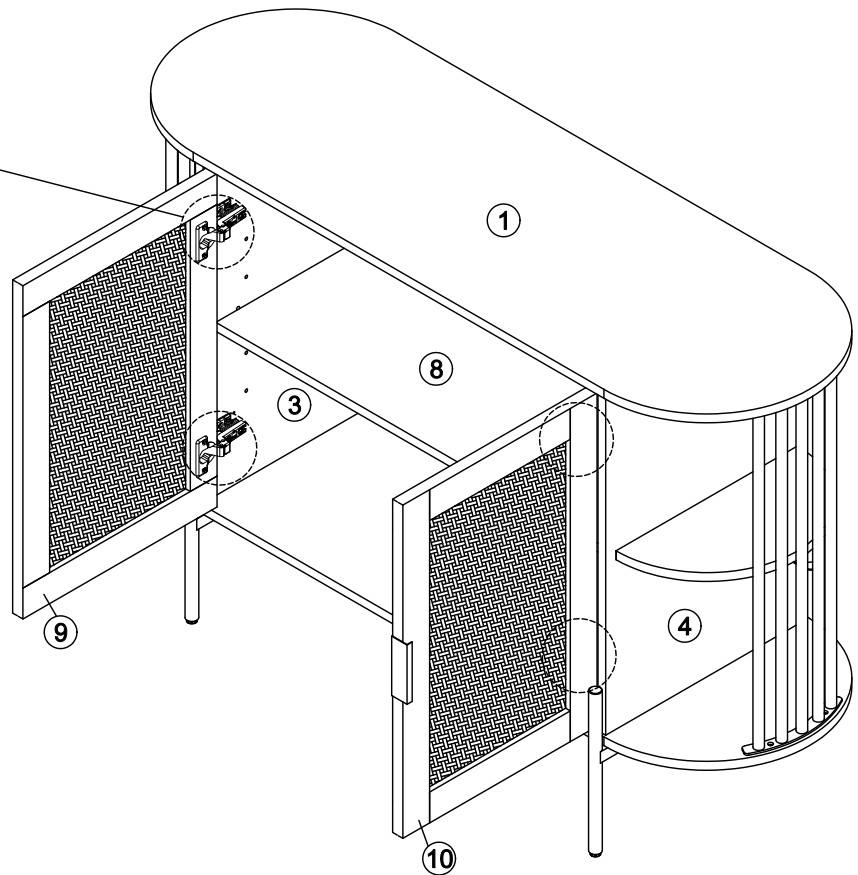
## STEP 13



E

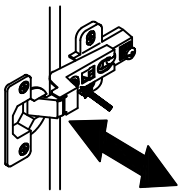


3.5\*16 Screw x 16

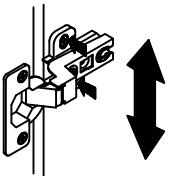


## HINGE ADJUSTMENT GUIDE

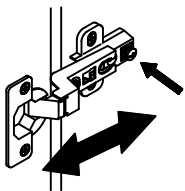
It may be necessary to adjust the hinges so that the doors align.  
Use the instructions below as a guide.



To adjust the door horizontal loosen the screw as shown by turning clockwise or anti-clockwise.

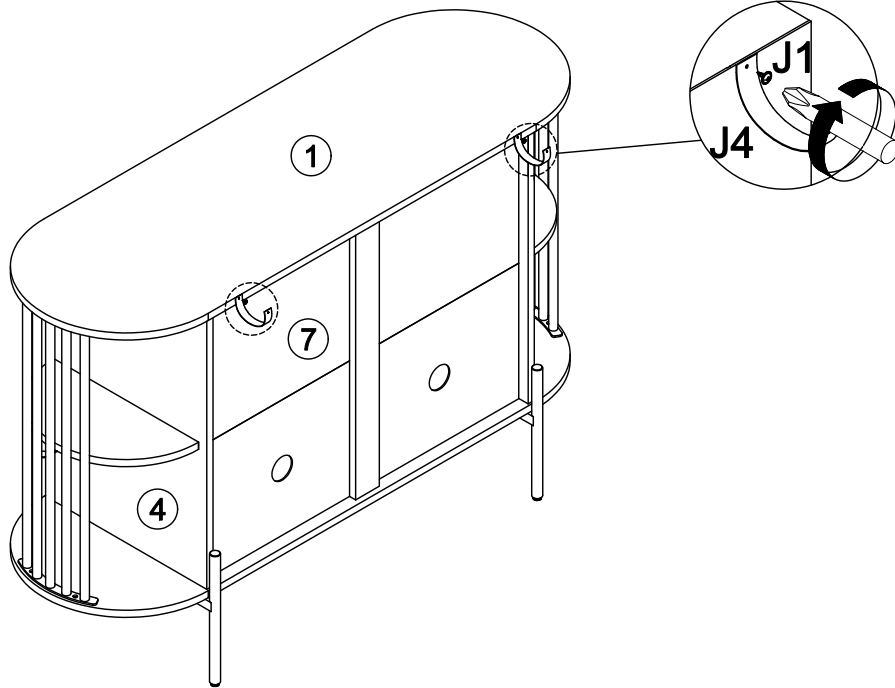




To adjust the door vertically loosen the screw as shown and move up and down as needed.



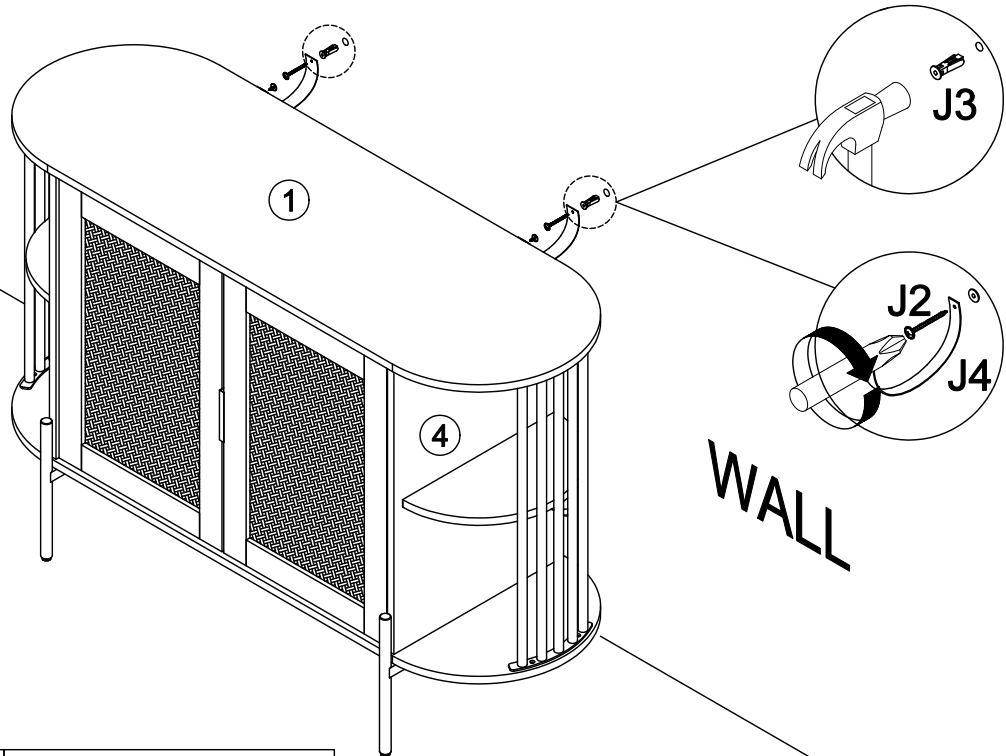
To adjust the gap from the door to the main frame turn the screw clockwise or anti-clockwise as needed.



STEP 14



<p><b>J1</b></p>  <p>4*12mm Screw x 2</p>	<p><b>J4</b></p>  <p>PVC strip x 2</p>
---	--

STEP 15



<p><b>J2</b></p>  <p>4*50mm Screw x 2</p>	<p><b>J3</b></p>  <p>Wall plug x 2</p>
--	---

