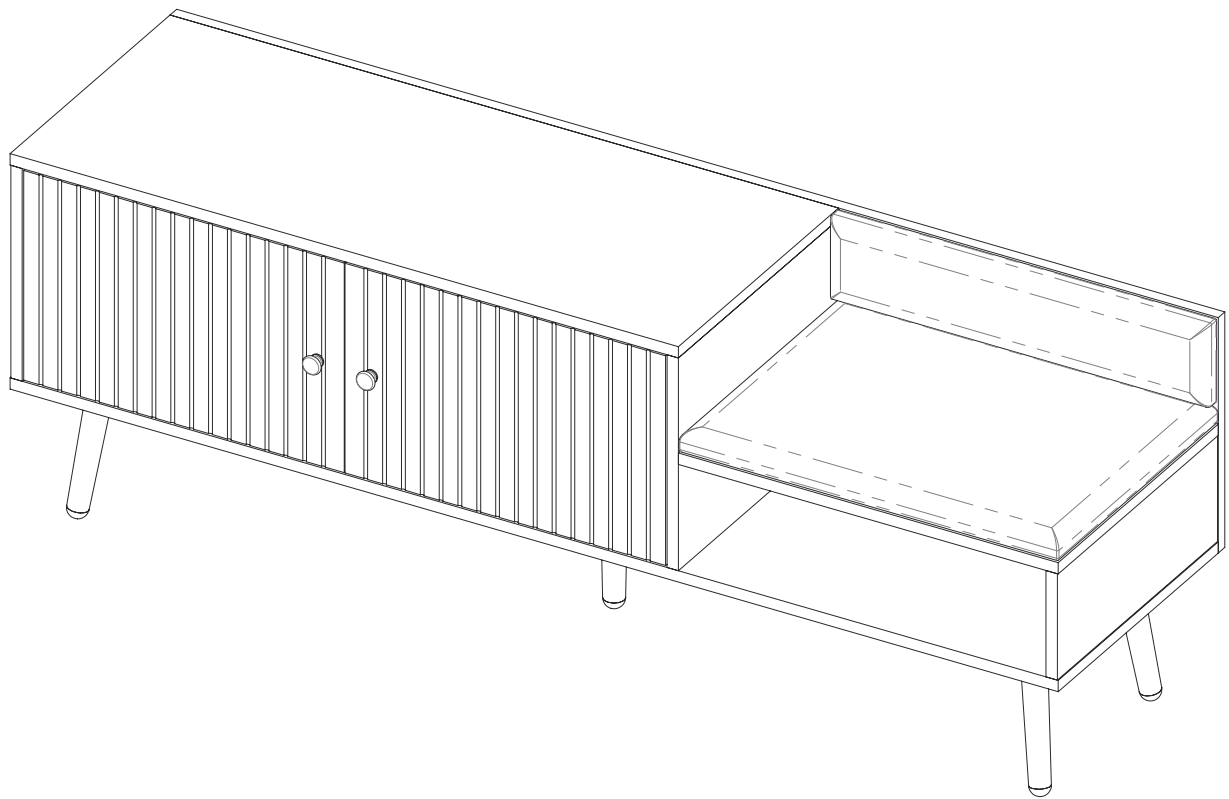


ASSEMBLY INSTRUCTION
ITEM:WF531237

STORAGE BENCH



ASSEMBLY INSTRUCTION

ITEM:WF531237

Please read these instructions fully before starting assembly:

1. Check you have all the components and tools listed on the following pages.
2. Remove all fittings from the plastic bags and separate them into their groups.
3. Keep children and animals away from the work area, small parts could choke if swallowed.
4. Make sure you have enough space to layout the parts before starting.
5. During assembly do not stand or put weight on the product, this could cause damage.
6. Assemble the item as close to its final position (in the same room) as possible.
7. Assemble on a soft level surface to avoid damaging the unit or your floor.
8. Parts of the assembly will be easier with 2 people.
9. To reduce the likelihood of damaging your product please ensure that your power drill is set on a low torque setting.
10. Assemble all parts and bolts loosely during assembly, only once the product is complete should you fully tighten the bolts
11. Regularly check and ensure That all bolts and fittings are tightened properly.
12. Please do not place items that exceed the load capacity.

Care and maintenance:

Only clean using a damp cloth and mild detergent, do no use bleach or abrasive cleaners.

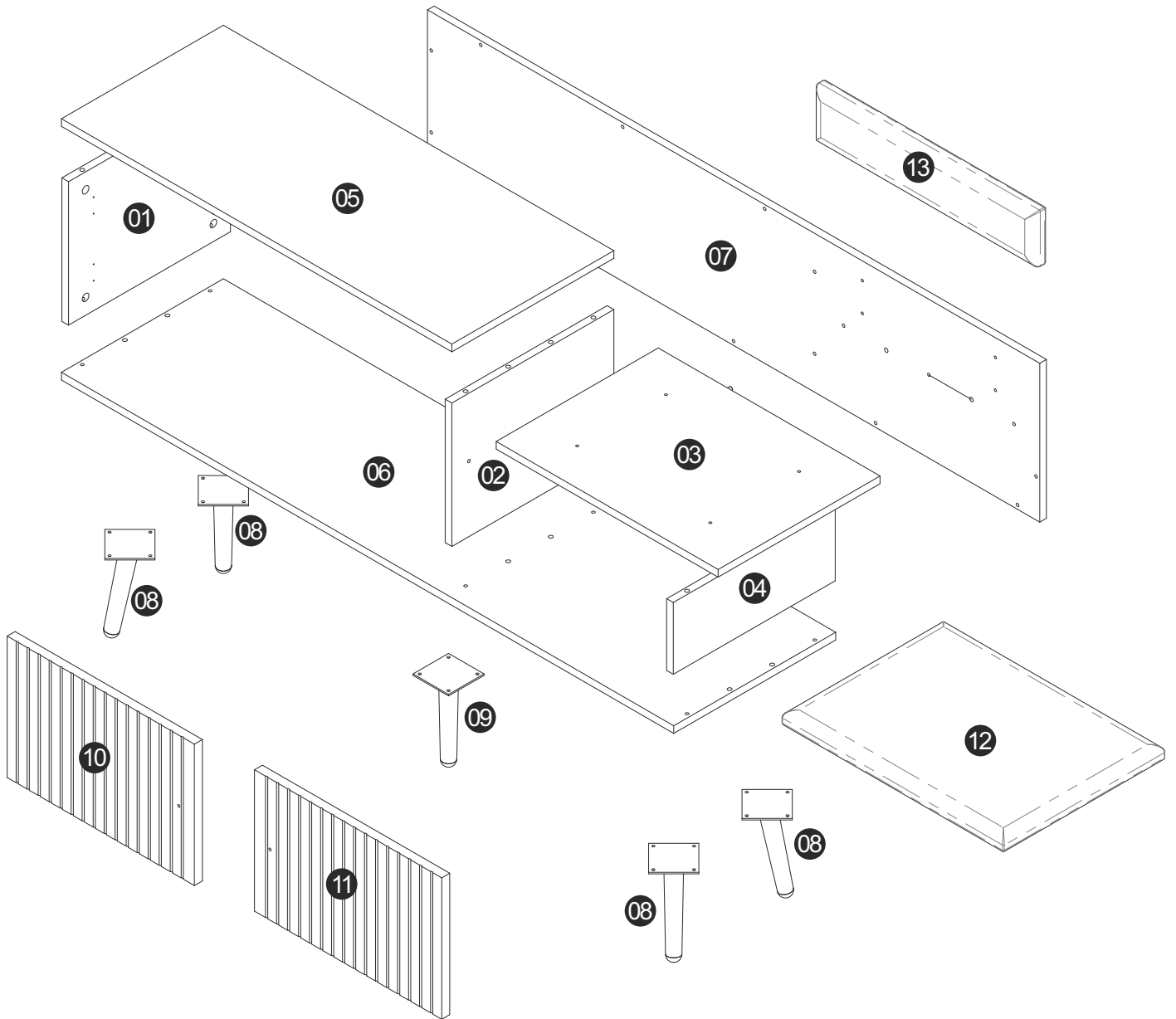
Tools required :



Phillips screwdriver
(medium & large)

ASSEMBLY INSTRUCTION

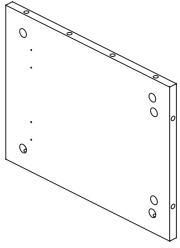
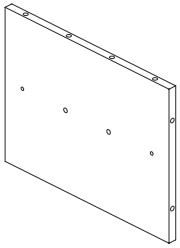
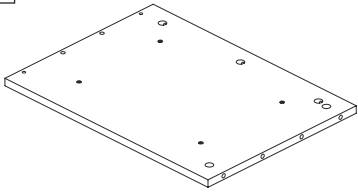
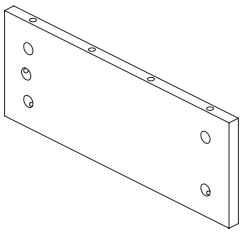
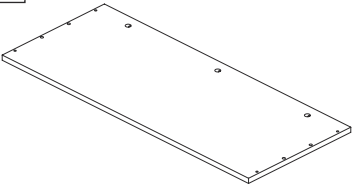
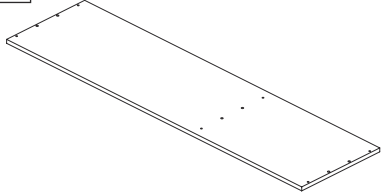
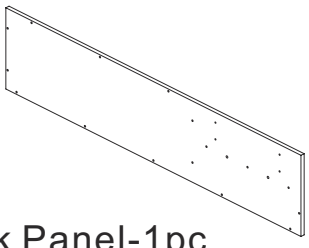
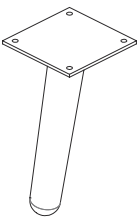
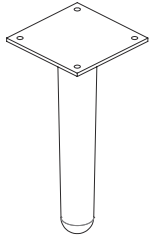
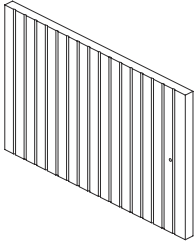
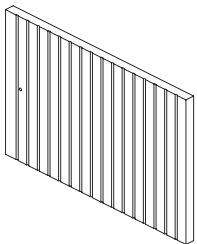
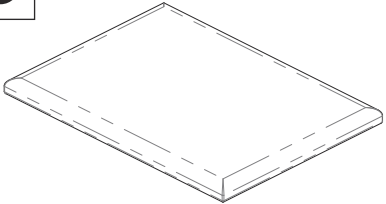
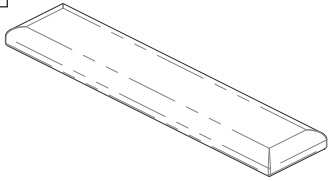
ITEM:WF531237



ASSEMBLY INSTRUCTION

ITEM:WF531237

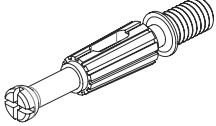
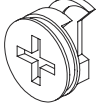
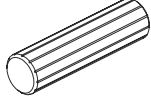
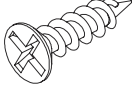
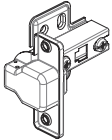

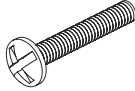

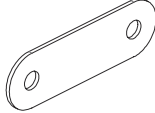
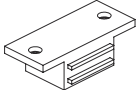
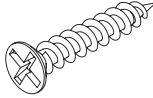

Part List

<p>01</p>  <p>Left Side Panel -1pc</p>	<p>02</p>  <p>Middle Panel-1pc</p>	<p>03</p>  <p>Top Frame-1pc</p>
<p>04</p>  <p>Right Side Panel -1pc</p>	<p>05</p>  <p>Top Panel-1pc</p>	<p>06</p>  <p>Bottom Panel-1pc</p>
<p>07</p>  <p>Back Panel-1pc</p>	<p>08</p>  <p>Support Leg-4pcs</p>	<p>09</p>  <p>Support Leg-1pc</p>
<p>10</p>  <p>Door left -1pc</p>	<p>11</p>  <p>Door right -1pc</p>	<p>12</p>  <p>Cushion-1pc</p>
<p>13</p>  <p>Backrest-1pc</p>		

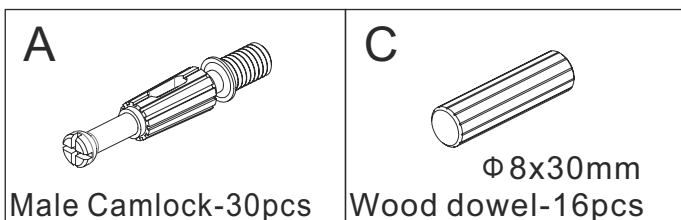
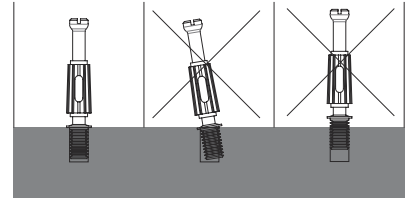
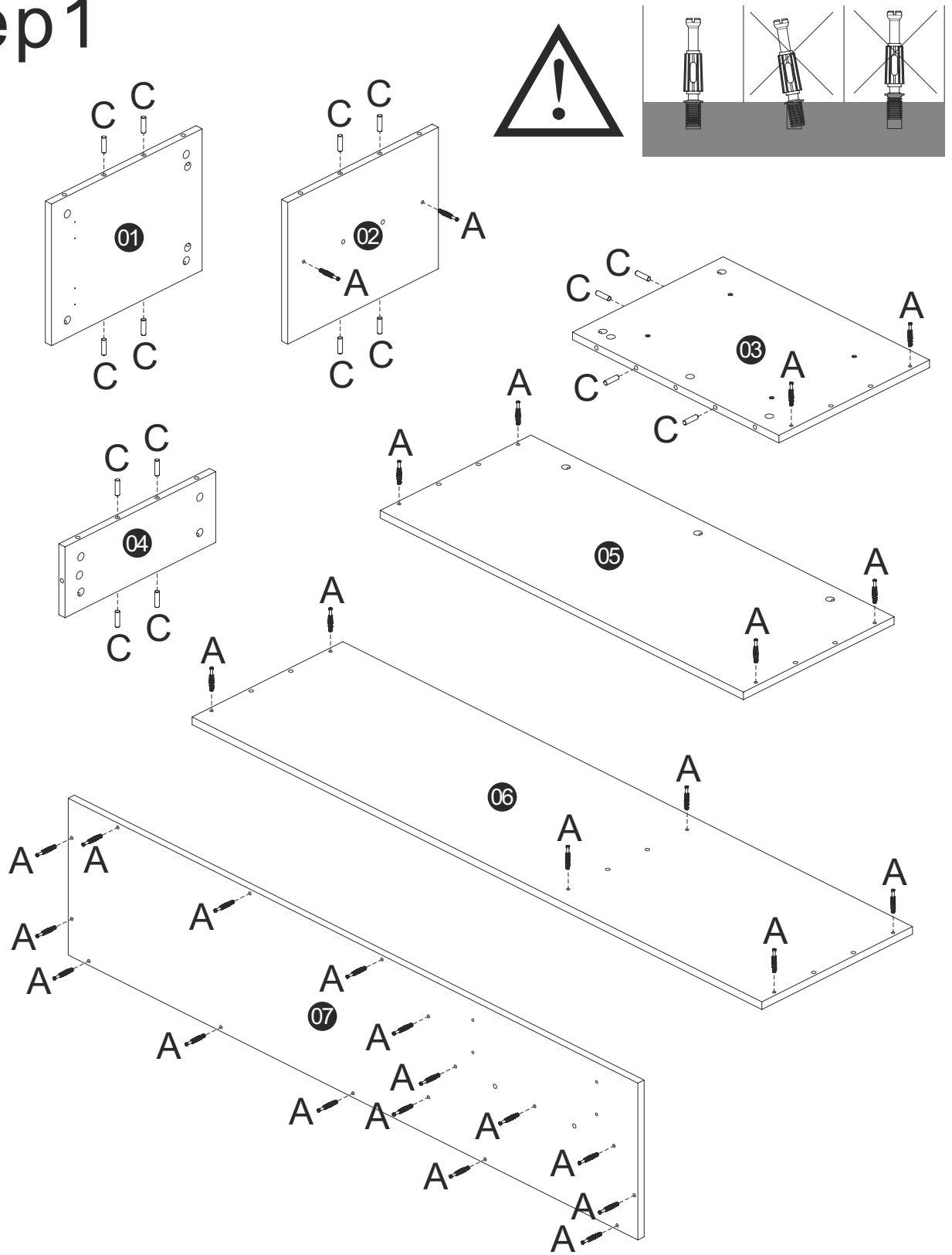
ASSEMBLY INSTRUCTION

ITEM:WF531237

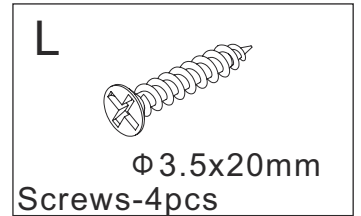
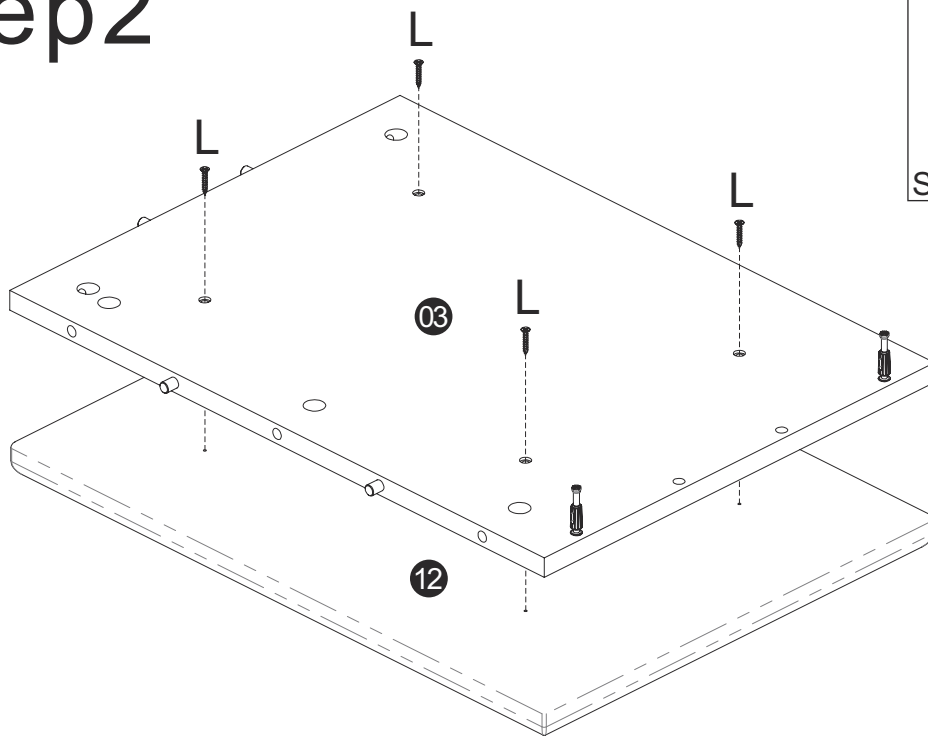
Hardware List

<p>A</p>  <p>Male Camlock-30pcs</p>	<p>B</p>  <p>Female Camlock-30pcs</p>	<p>C</p>  <p>$\Phi 8 \times 30 \text{mm}$ Wood dowel-16pcs</p>	<p>D</p>  <p>$\Phi 3.5 \times 14 \text{mm}$ Screws-52pcs</p>
<p>E</p>  <p>Hinge-4pcs</p>	<p>F</p>  <p>Handle-2pcs</p>	<p>G</p>  <p>M4x30mm Screws-2pcs</p>	<p>H</p>  <p>$\Phi 4 \text{mm}$ Washer-2pcs</p>
<p>J</p>  <p>Door stopper1-2pcs</p>	<p>K</p>  <p>Door stopper2-2pcs</p>	<p>L</p>  <p>$\Phi 3.5 \times 20 \text{mm}$ Screws-8pcs</p>	<p>M</p>  <p>Stickers-20pcs</p>

Step 1

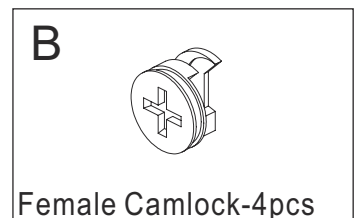
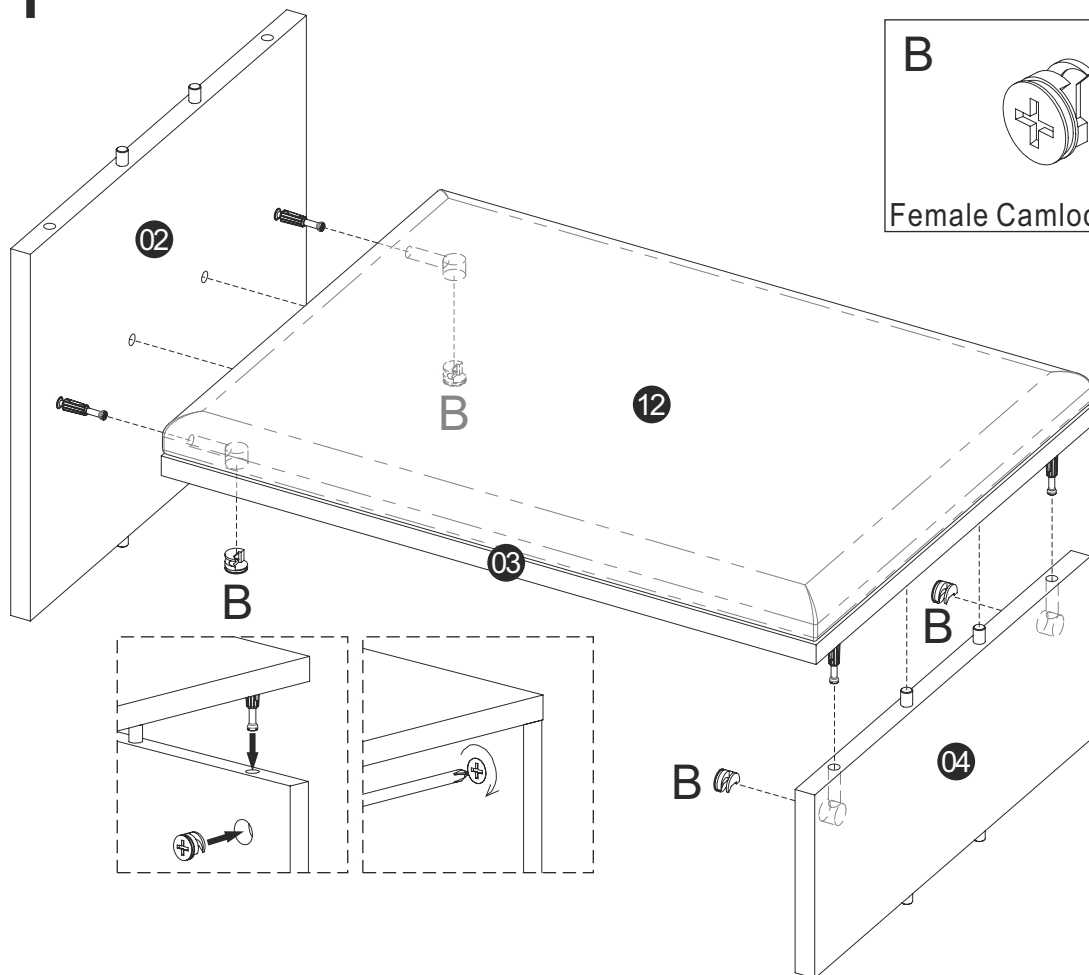


Step2

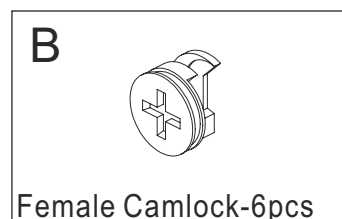
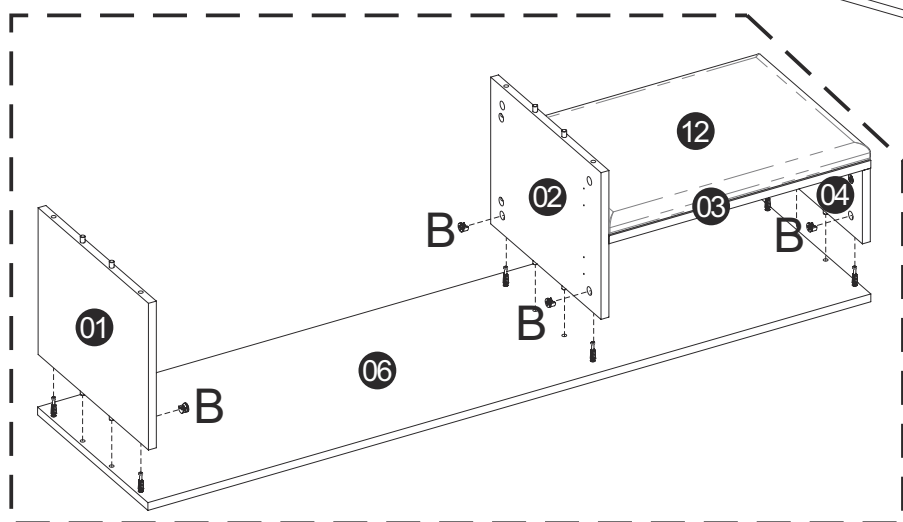
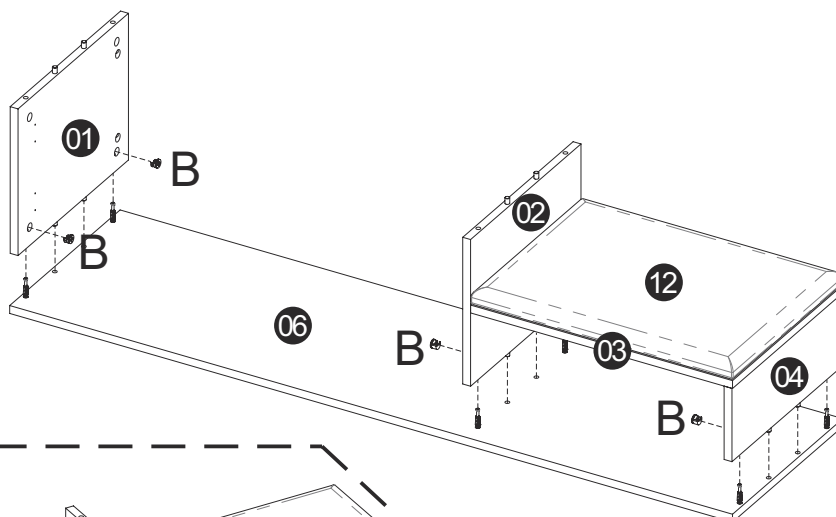


NO.12 seat cushion need firstly assembled on NO.3 board ,
then start to other assembled

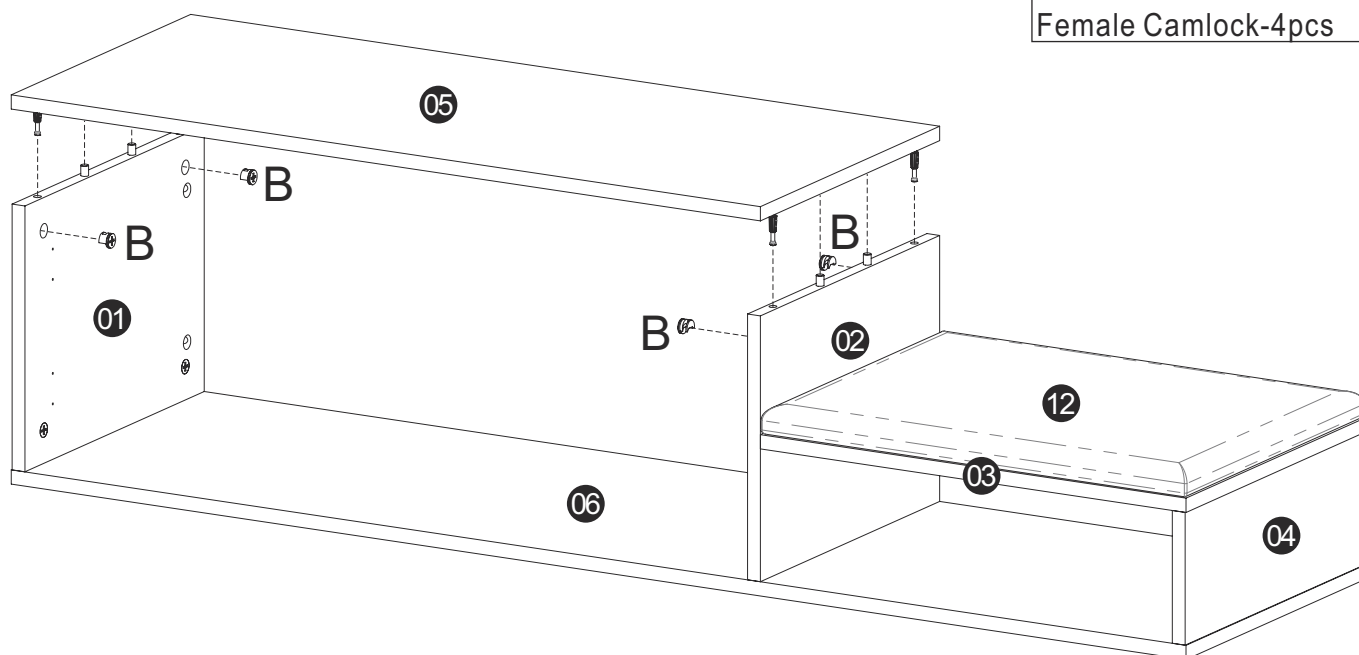
Step3



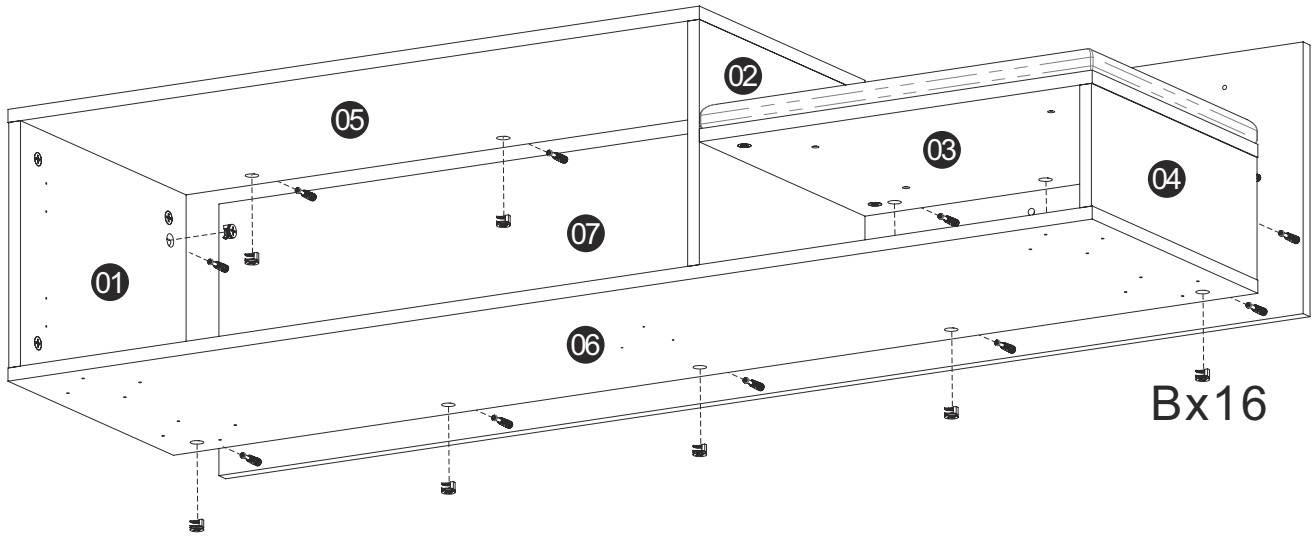
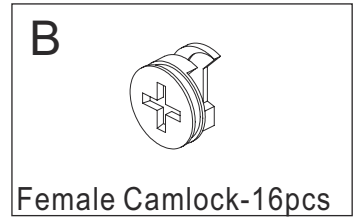
Step4



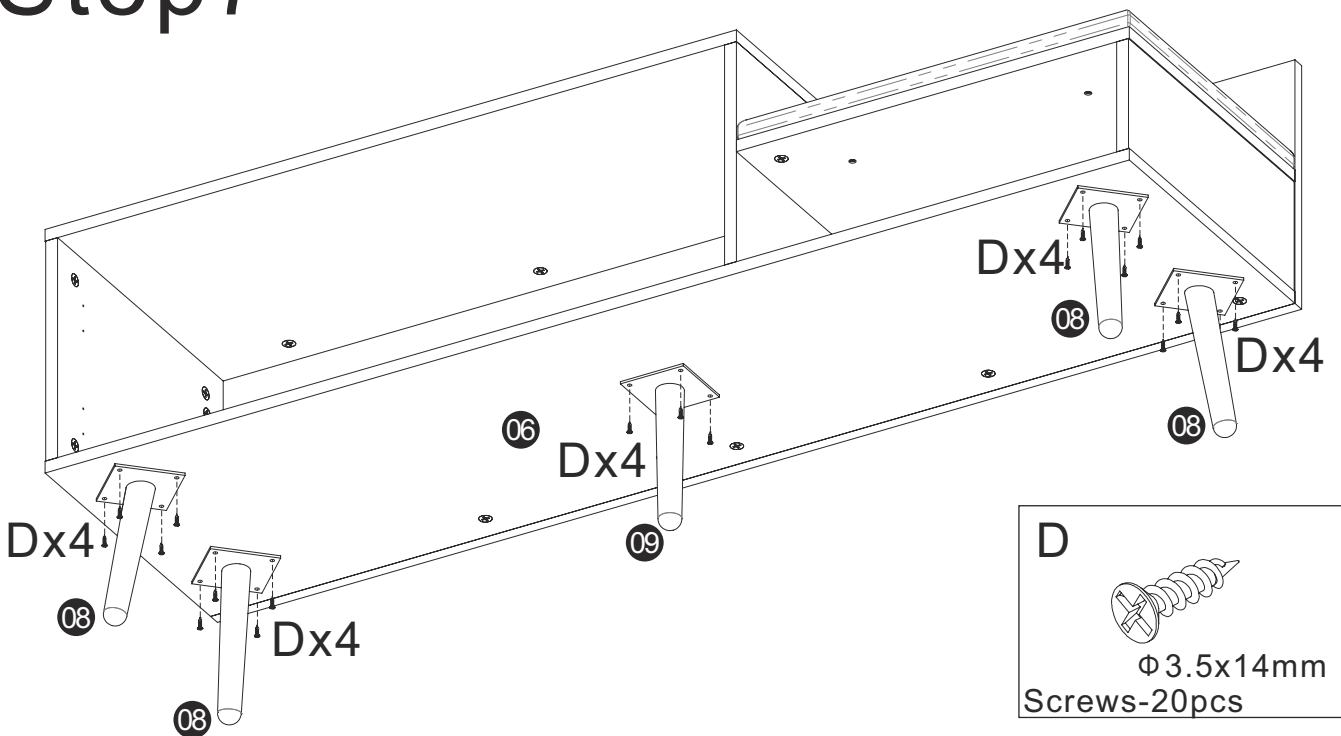
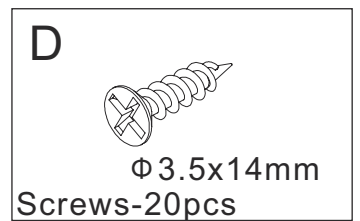
Step5



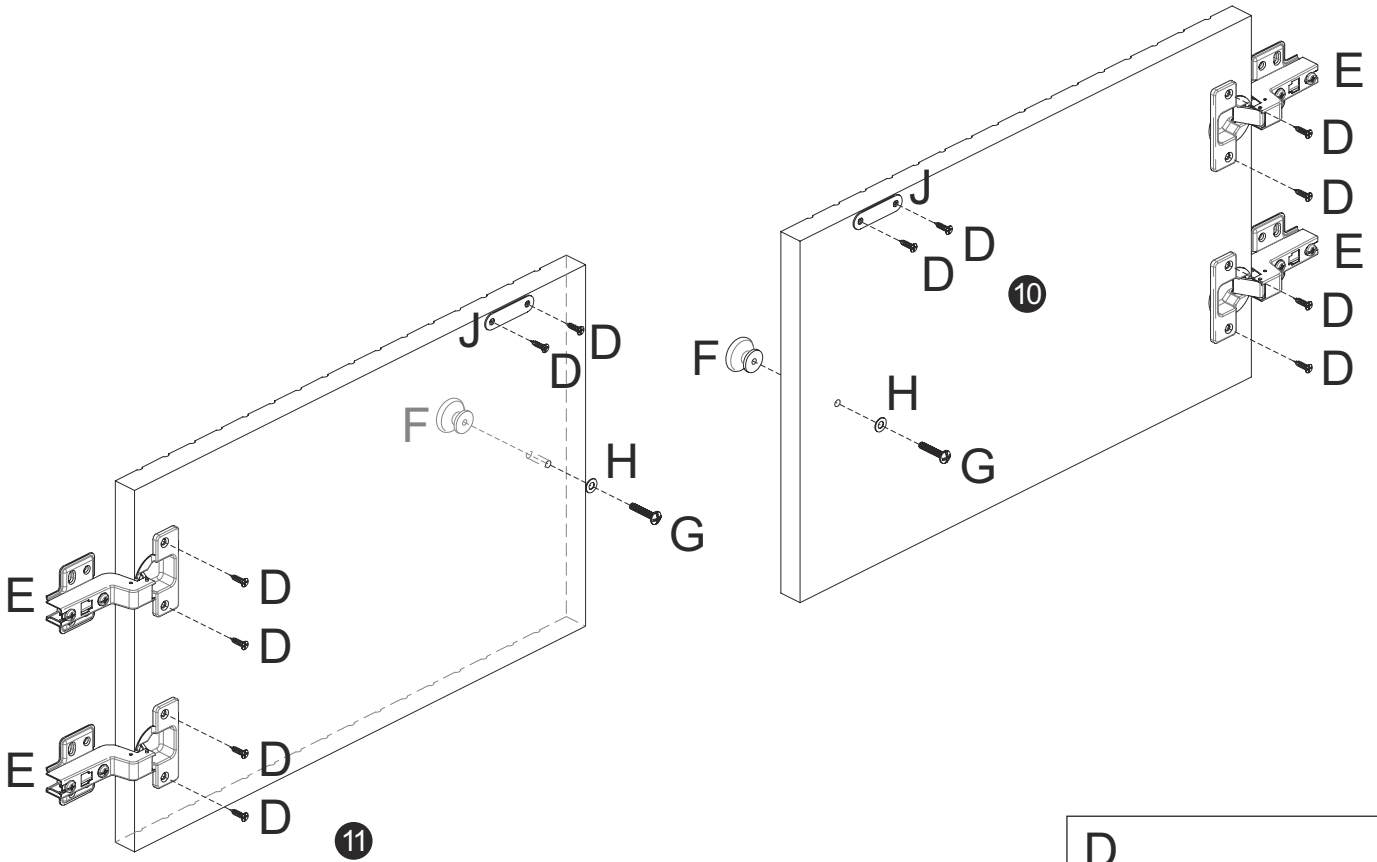
Step6

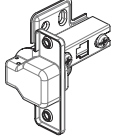
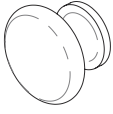
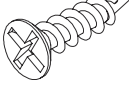

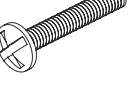



Step7

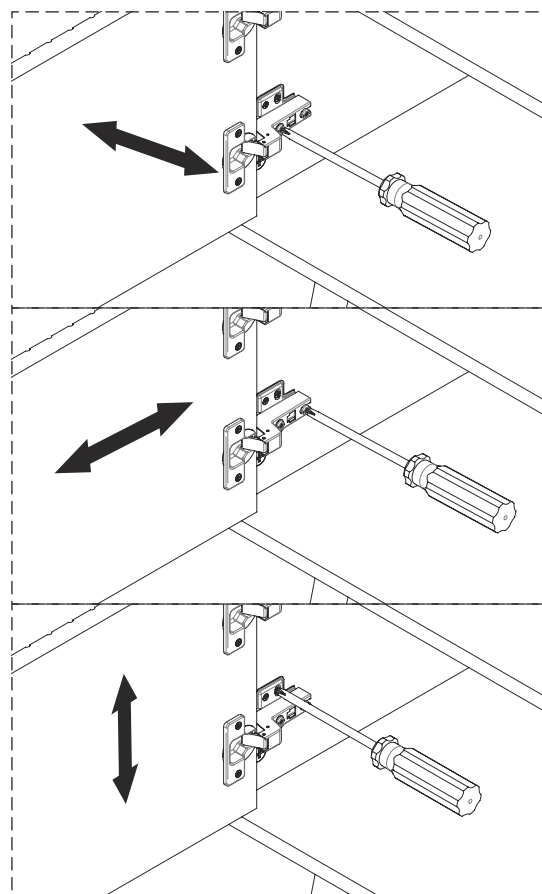
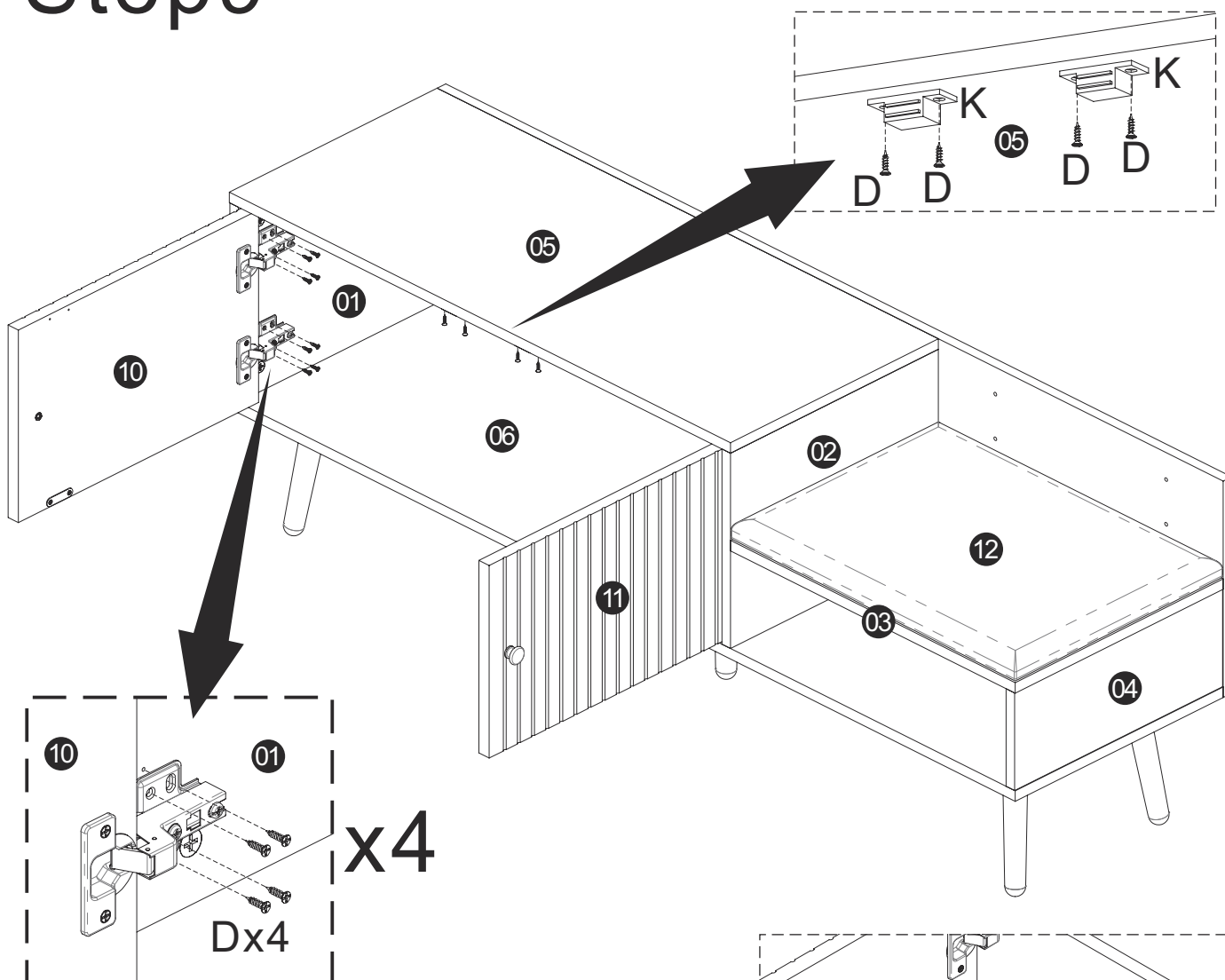


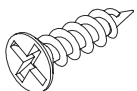
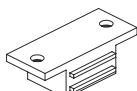
Step 8



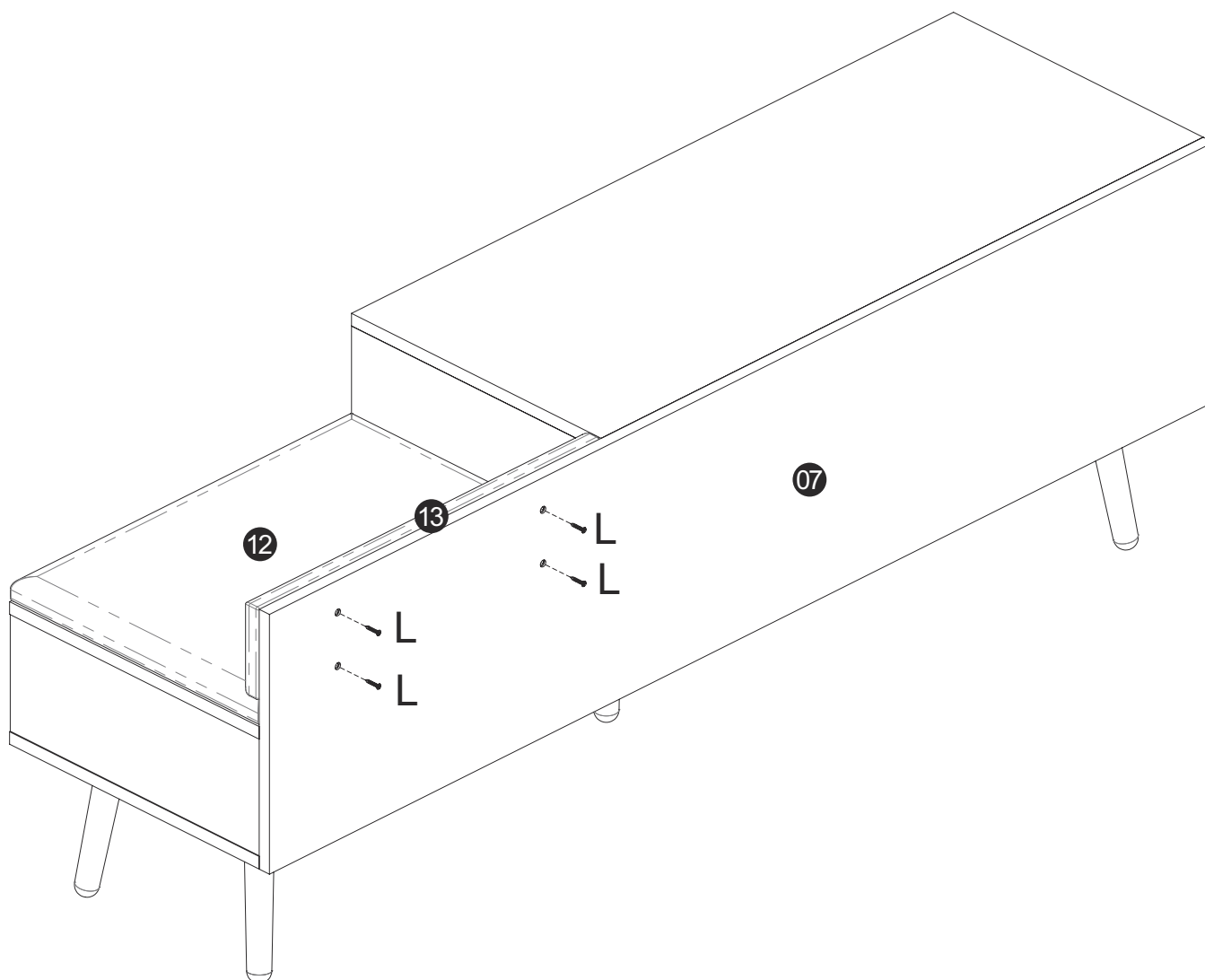
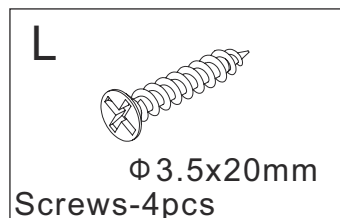
<p>E</p>  <p>Hinge-4pcs</p>	<p>F</p>  <p>Handle-2pcs</p>	<p>D</p>  <p>Φ 3.5x14mm Screws-12pcs</p>
	<p>H</p>  <p>Φ4mm Washer-2pcs</p>	<p>G</p>  <p>M4x30mm Screws-2pcs</p>
		<p>J</p>  <p>Door stopper 1-2pcs</p>

Step 9

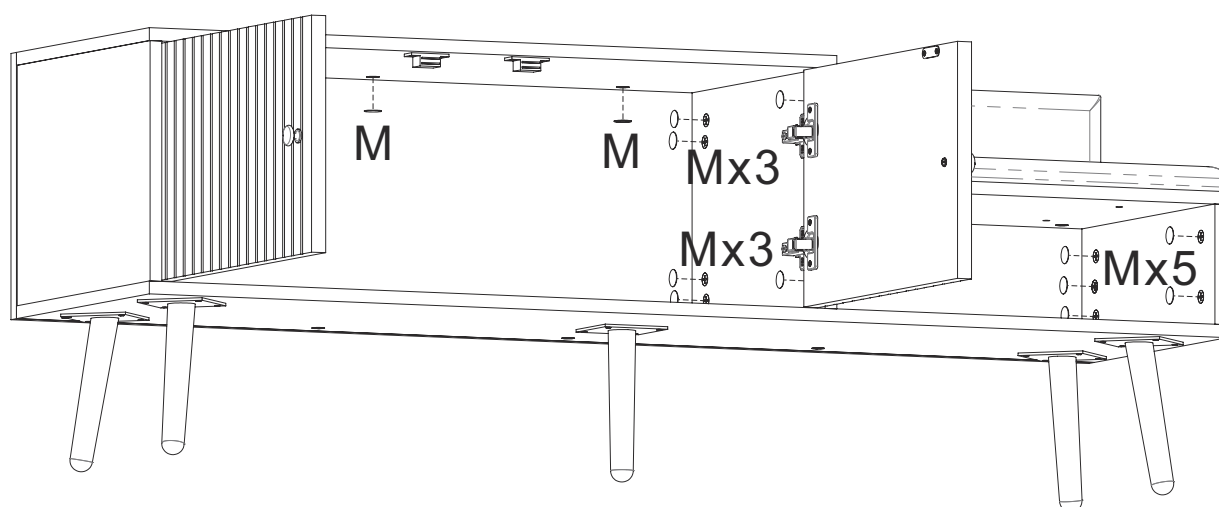
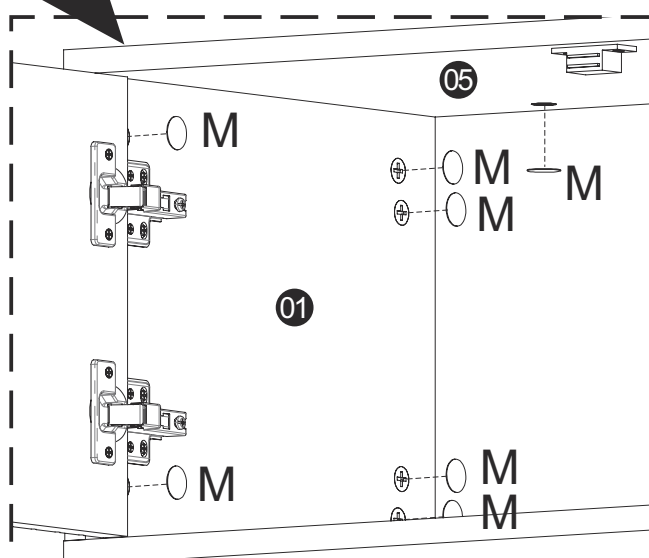
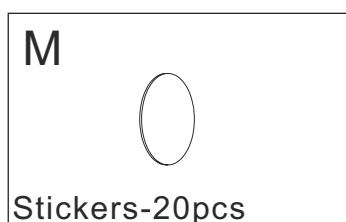
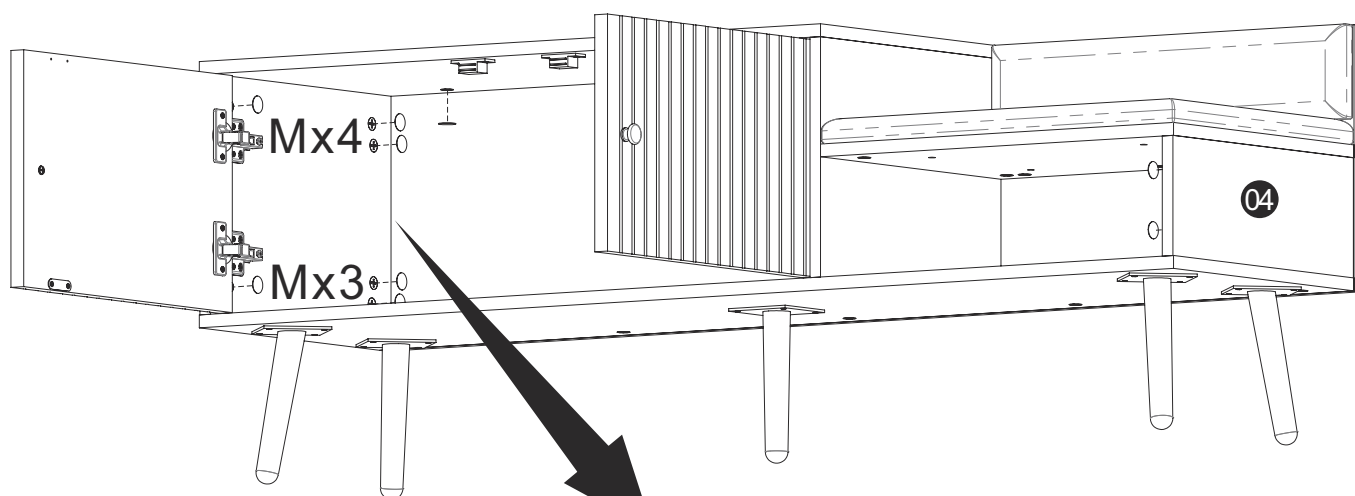


<p>D</p>  <p>Φ 3.5x14mm Screws-20pcs</p>	<p>K</p>  <p>Door stopper 2-2pcs</p>
--	--

Step 10



Step 11



Step 12

