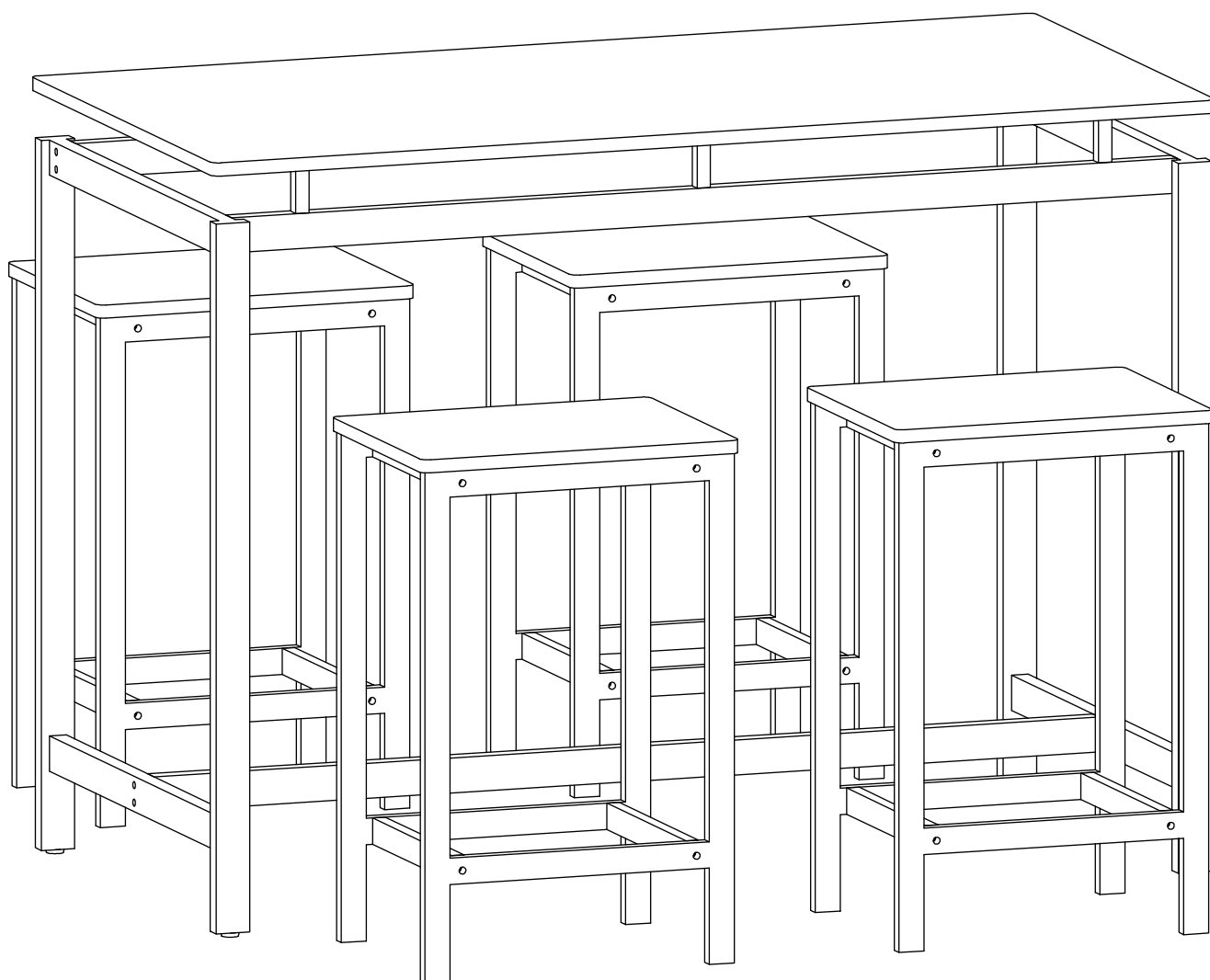
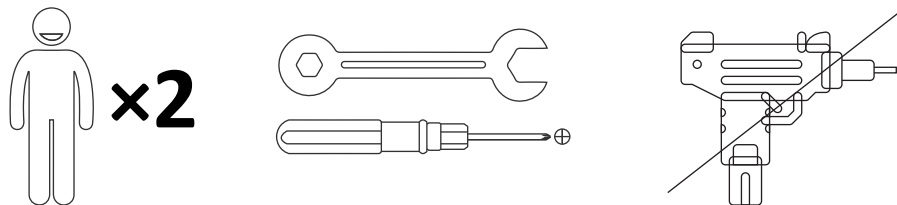


# BAR TABLE SET



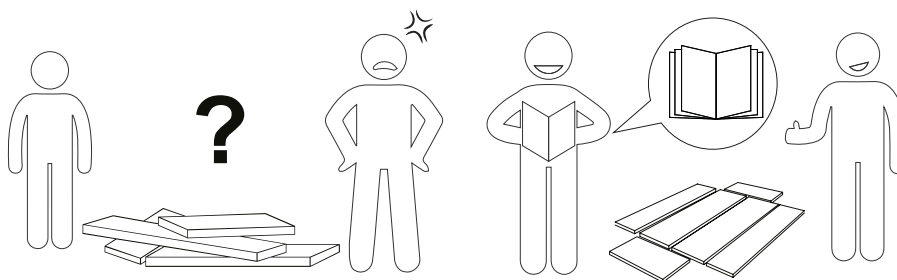
Important- Please read these instructions fully before starting assembly

1. Check you have all the components and tools listed on the following pages.
2. Remove all fittings from the plastic bags and separate them into their groups.
3. Keep children and animals away from the work area, small parts could choke if swallowed.
4. Make sure you have enough space to layout the parts before starting.
5. During assembly do not stand or put weight on the product, this could cause damage.
6. Assemble the item as close to its final position (in the same room) as possible.
7. Assemble on a soft level surface to avoid damaging the unit or your floor.
8. Parts of the assembly will be easier with 2 people.
9. To reduce the likelihood of damaging your product please ensure that your power drill is set on a low torque setting.
10. Assemble all parts and bolts loosely during assembly, only once the product is complete should you fully tighten the bolts
11. Regularly check and ensure That all bolts and fittings are tightend properly.
12. Please do not place items that exceed the load capacity.



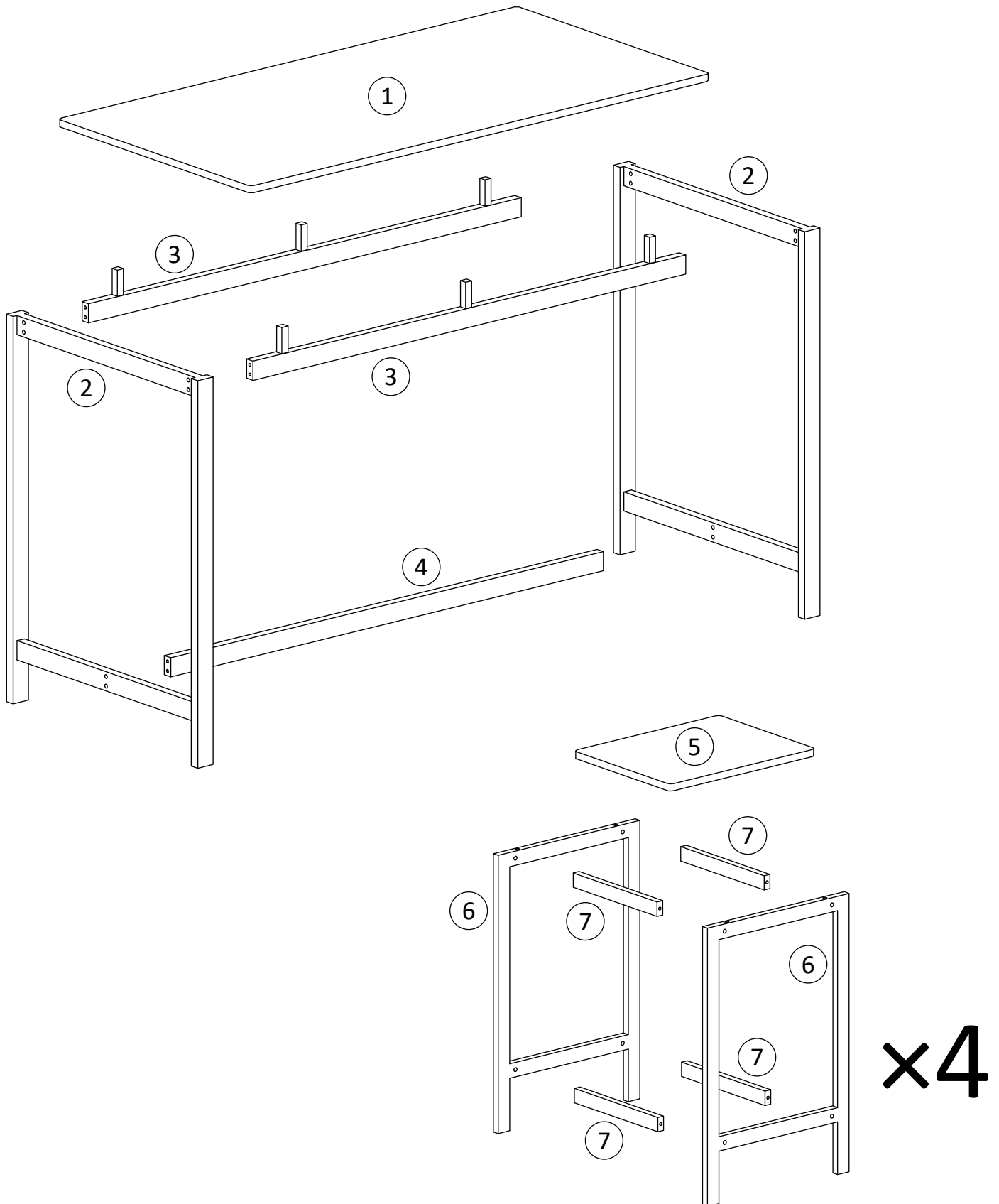
We recommend using hand tools for assembly.

If an electric screwdriver is used, reduce power and torque to avoid damage to the product.


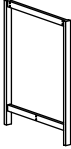
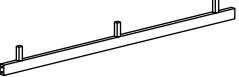


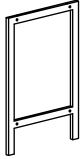
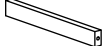


Care and maintenance :

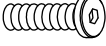
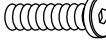
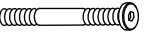


Only clean using a damp cloth and mild detergent, do no use bleach or abrasive cleaners.



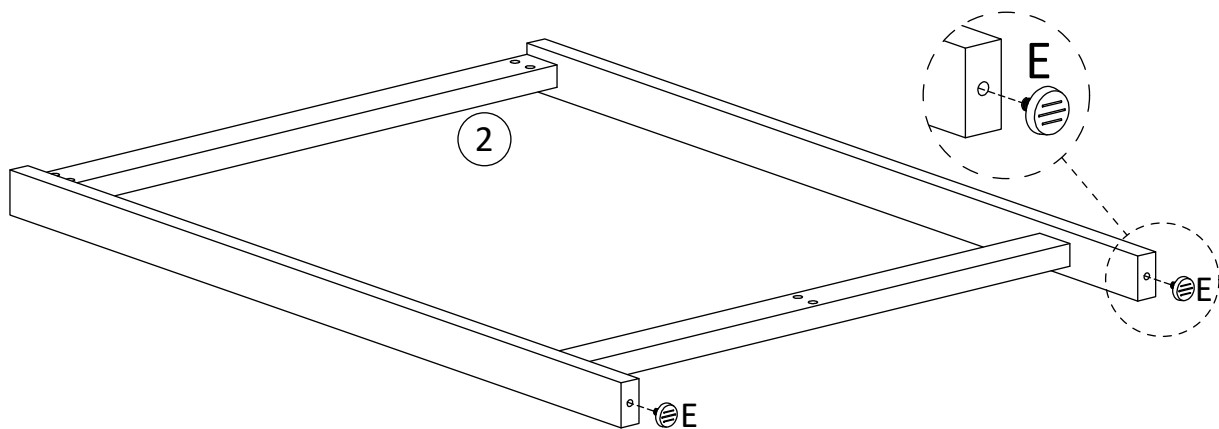
## Part List

<p>1</p>  <p>Table top (1)</p>	<p>2</p>  <p>Table frame (2)</p>	<p>3</p>  <p>Table cross bar (2)</p>	<p>4</p>  <p>Table joint lever (1)</p>	<p>5</p>  <p>Chair top (4)</p>
<p>6</p>  <p>Chair frame (8)</p>	<p>7</p>  <p>Chair joint lever (16)</p>			


## Hardware List

<p>A × 32</p>  <p>M6×35mm Bolt</p>	<p>B × 28</p>  <p>M6×40mm Bolt</p>	<p>C × 6</p>  <p>M6×105mm Bolt</p>	<p>D × 1</p>  <p>M4×55mm Allen key</p>	<p>E × 4</p>  <p>M6×Ø25mm Adjustable feet</p>
---	---	---	---	--

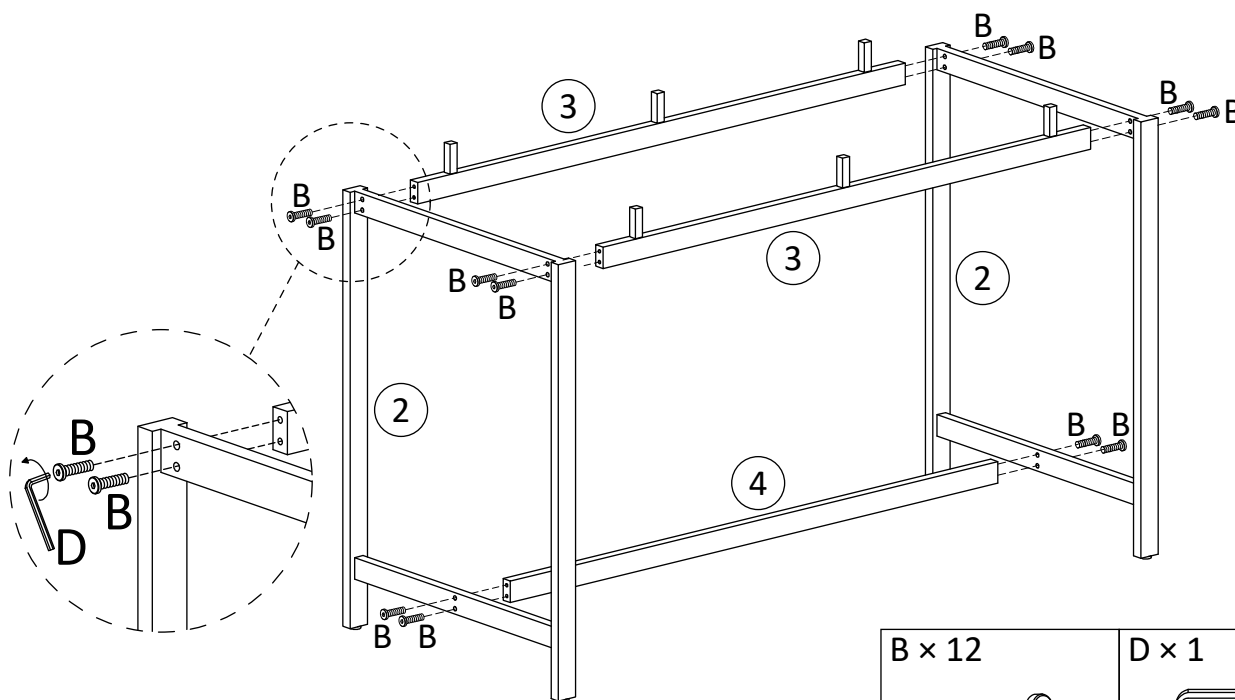
# Step 1





**×2**

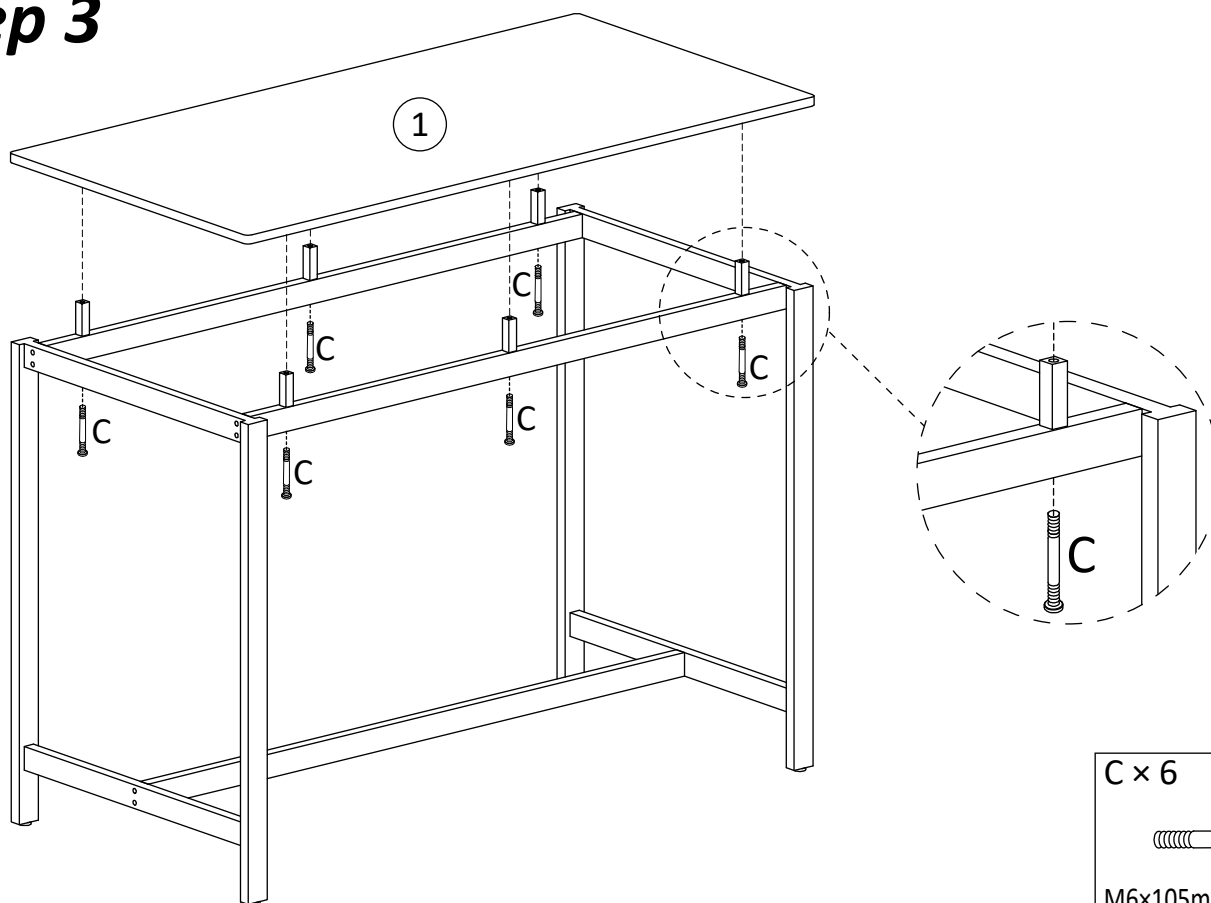
E × 4

M6×Ø25mm Adjustable feet

# Step 2

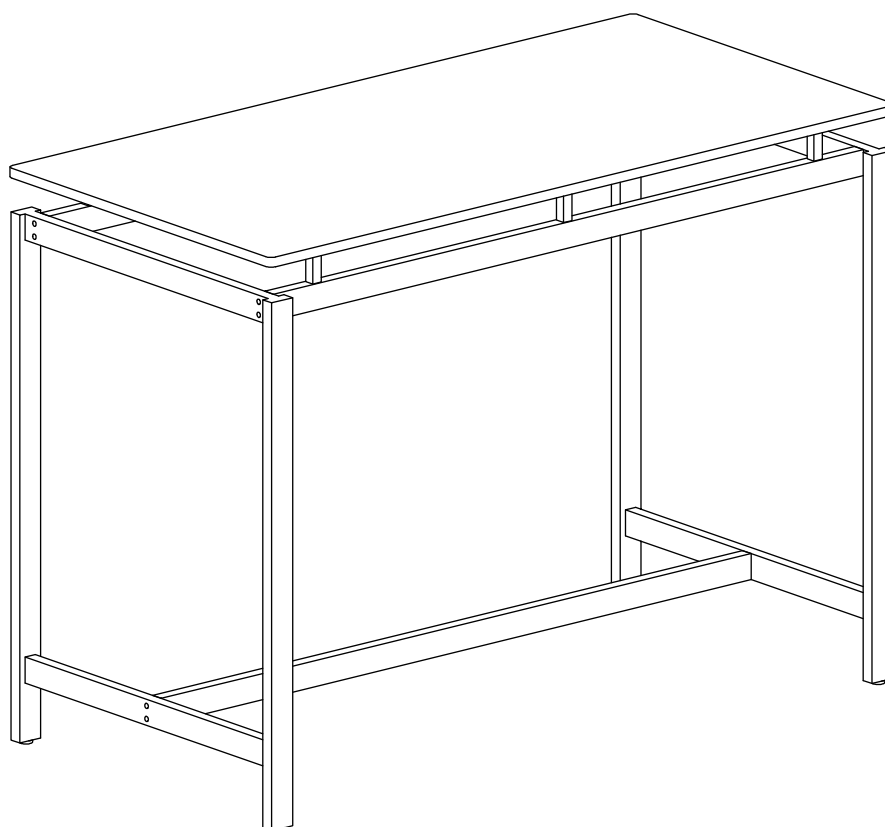


B × 12	D × 1
	
M6×40mm Bolt	M4×55mm Allen key

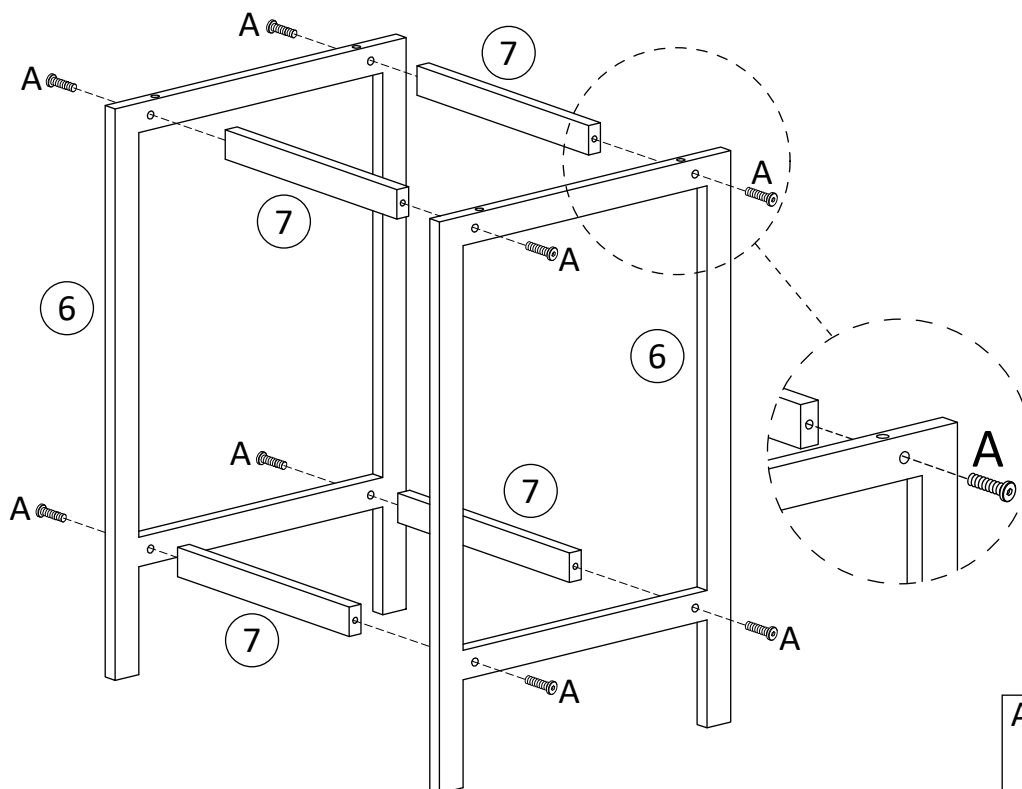
**Step 3**



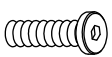
**Step 4**



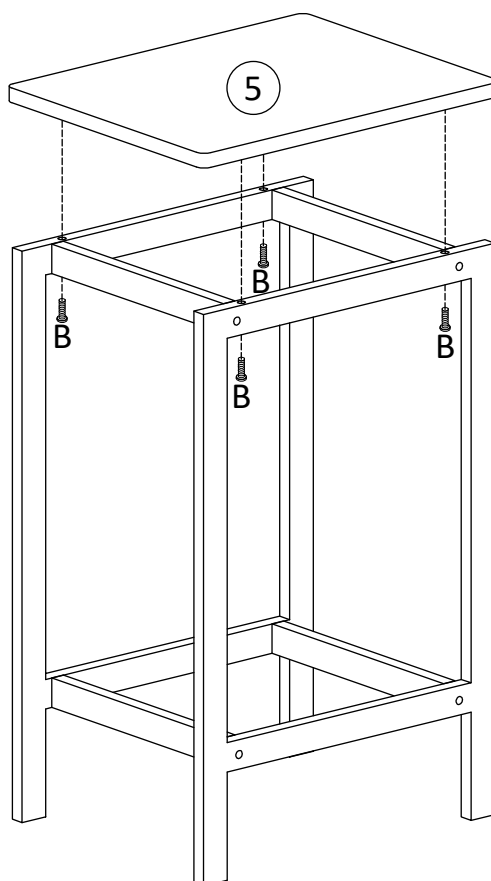
# Step 5




**×4**

<p>A × 32</p>  <p>M6×35mm Bolt</p>
--

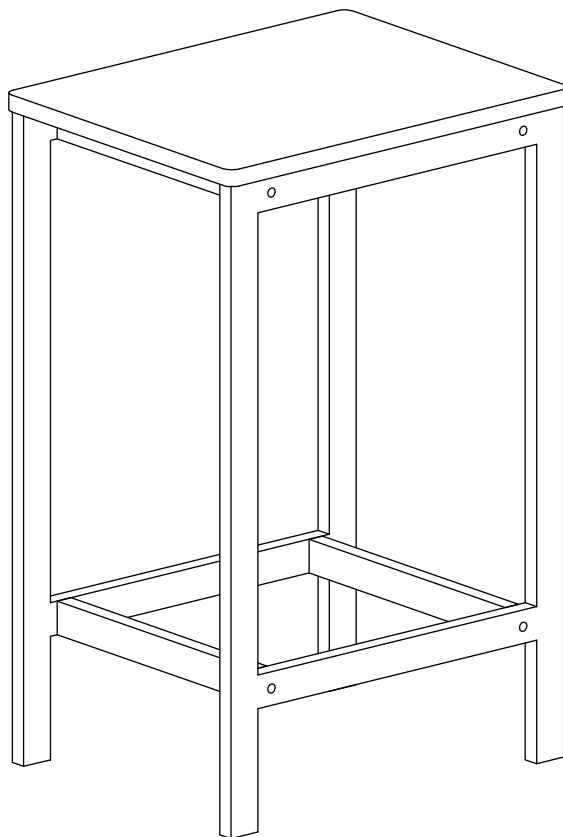
# Step 6



**×4**

<p>B × 16</p>  <p>M6×40mm Bolt</p>
---

**Step 7**



**x4**

**Step 8**

