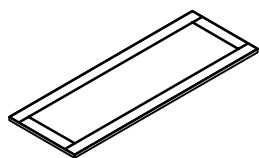
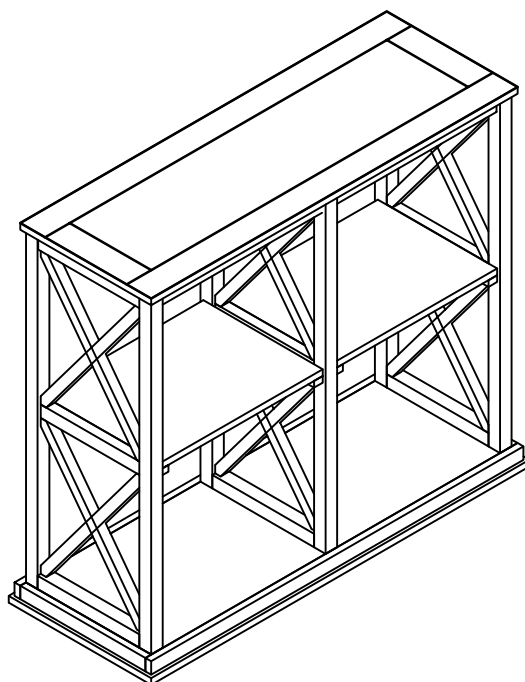
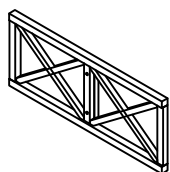


# Assembly Instructions

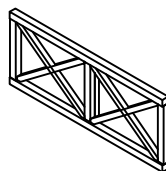
Style: WF199317



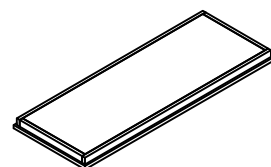
**(A)** : 1PC



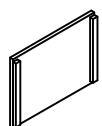
**(B)** : 1PC



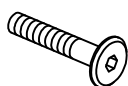
**(C)** : 2PCS



**(D)** : 1PC



**(E)** : 2PCS



**(F)** M6\*40 mm: 20PCS

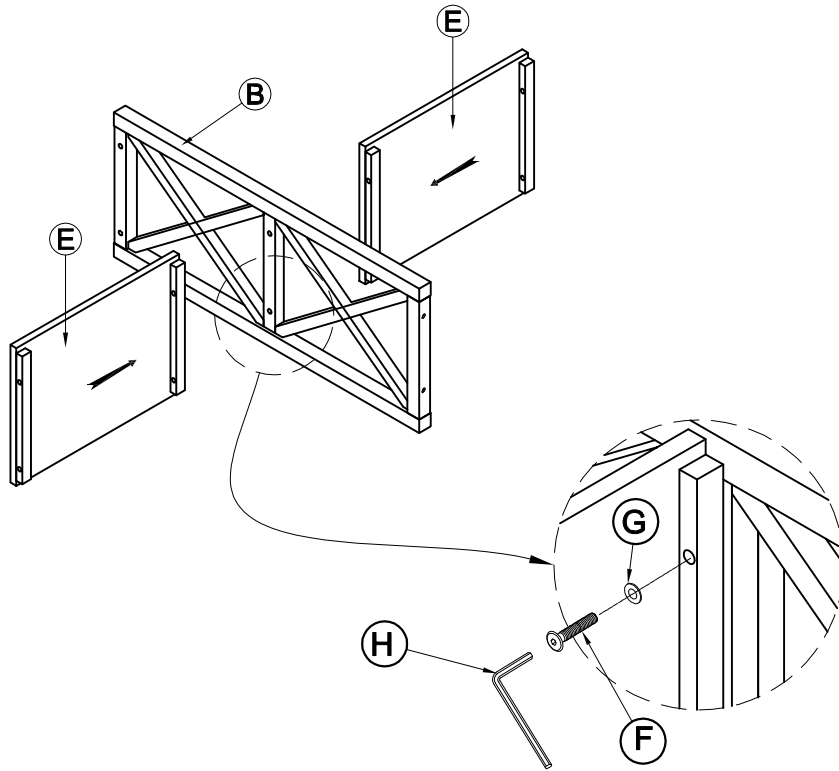


**(G)** M6\*16 : 20PCS

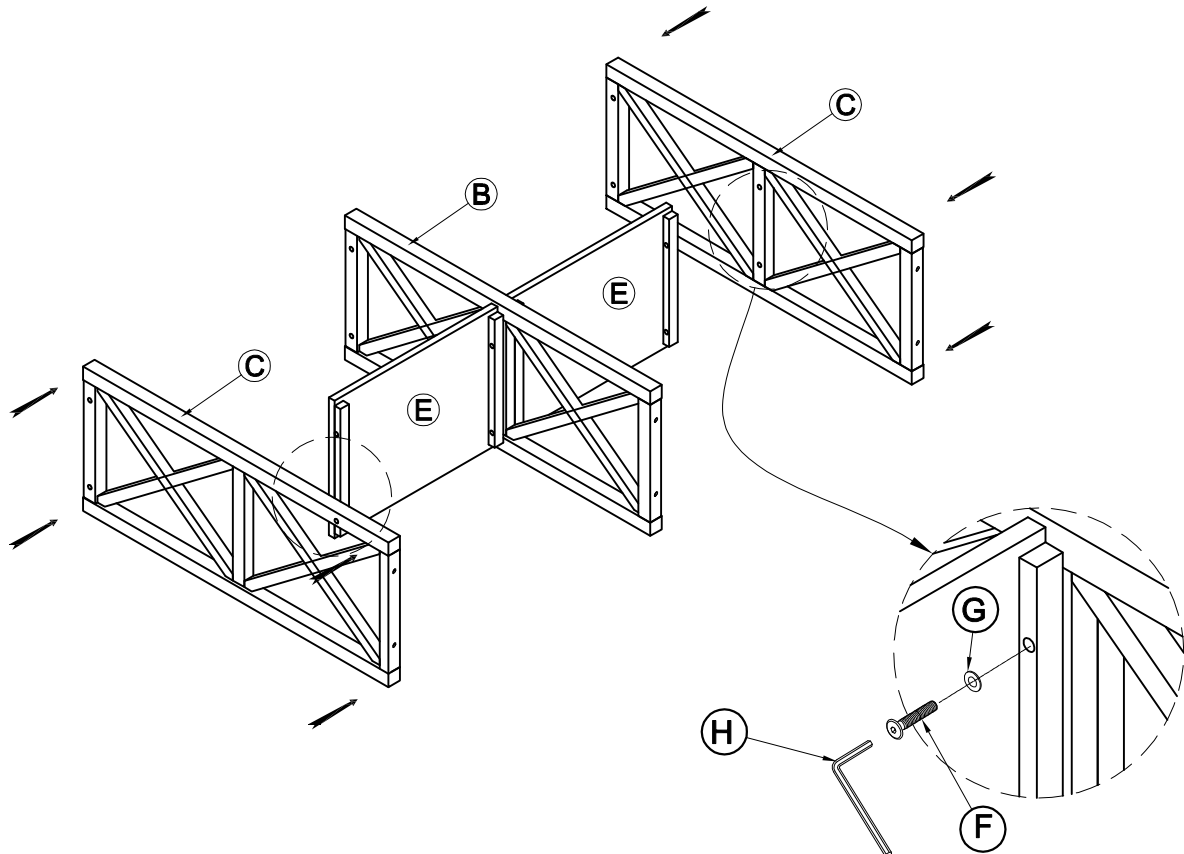


**(H)** : 1PC

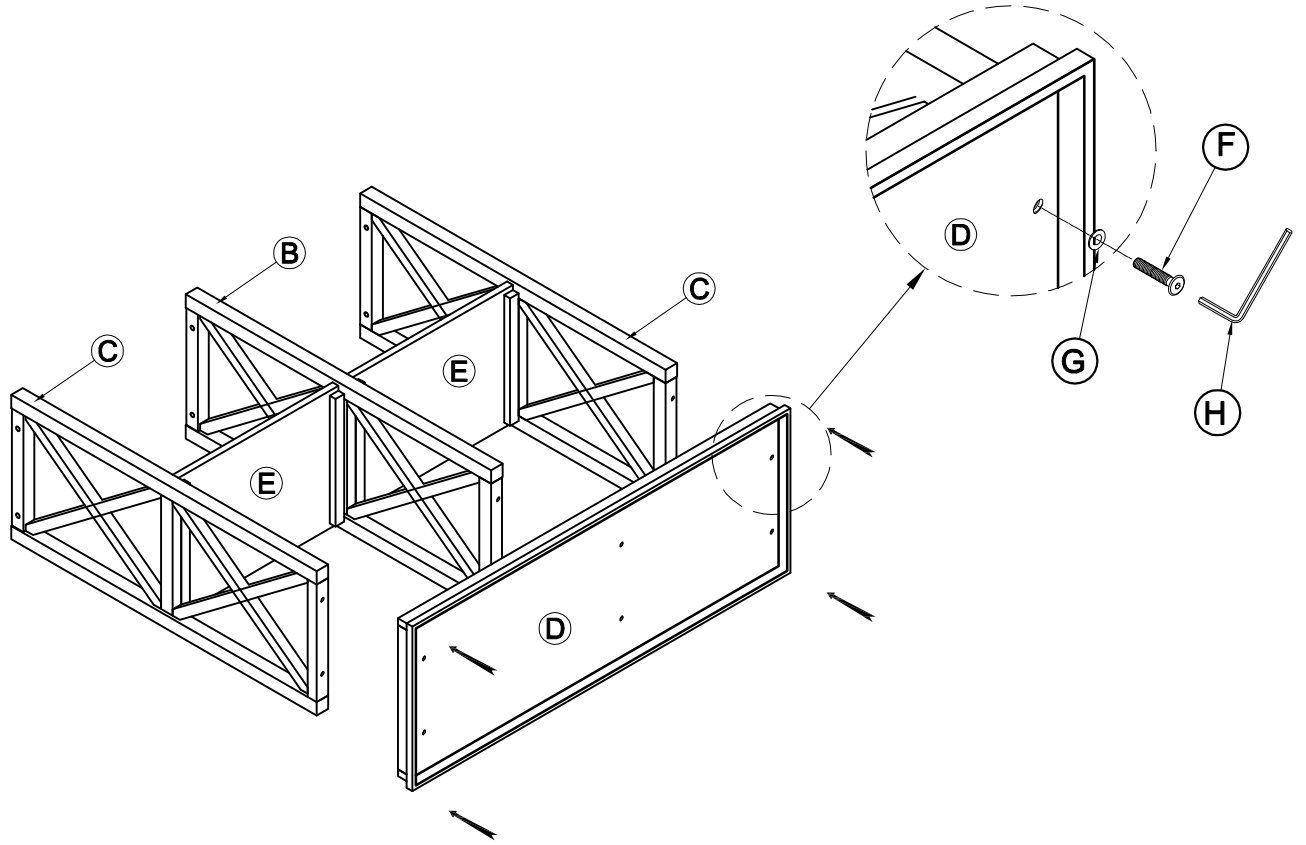
**STEP 1**



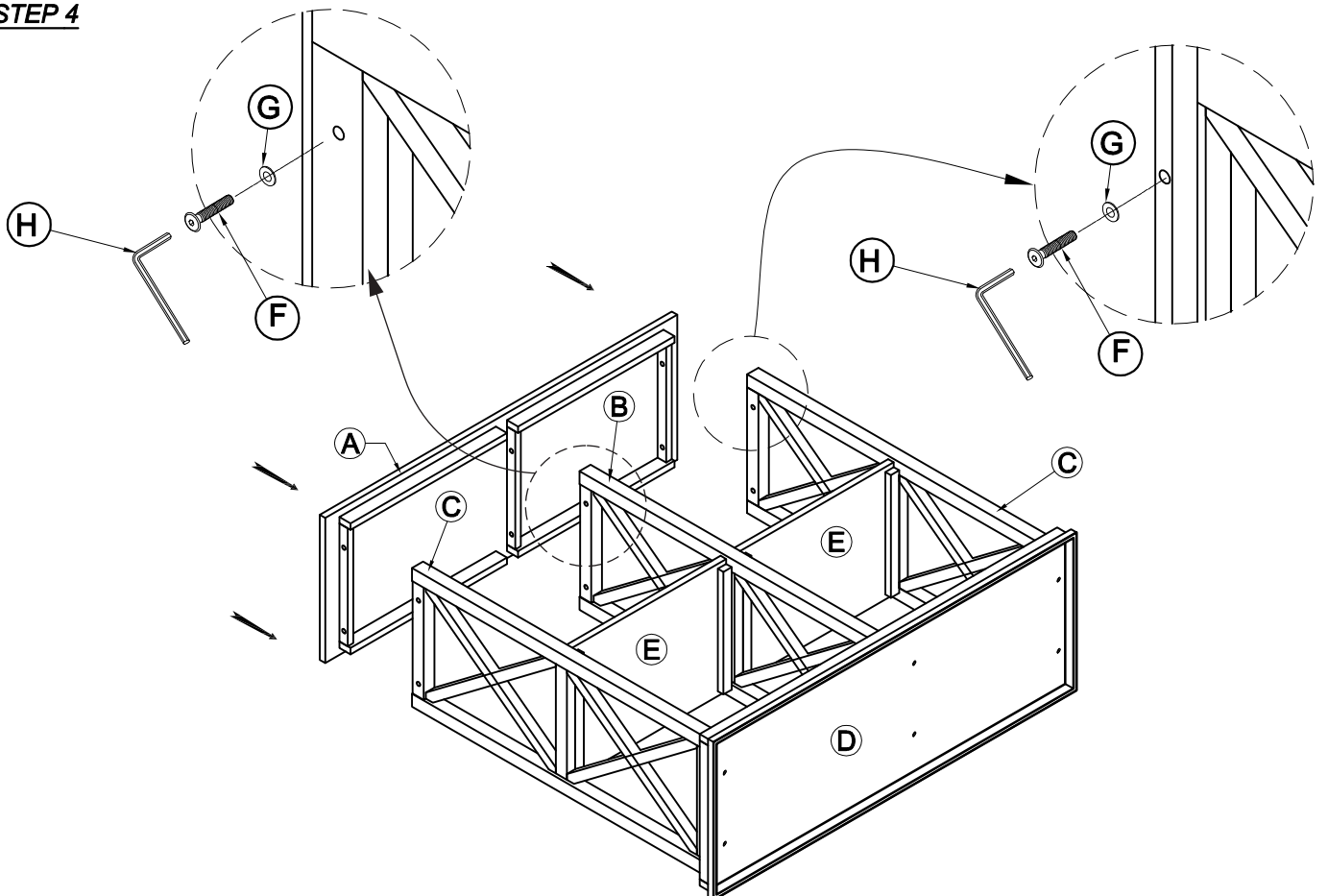
**STEP 2**

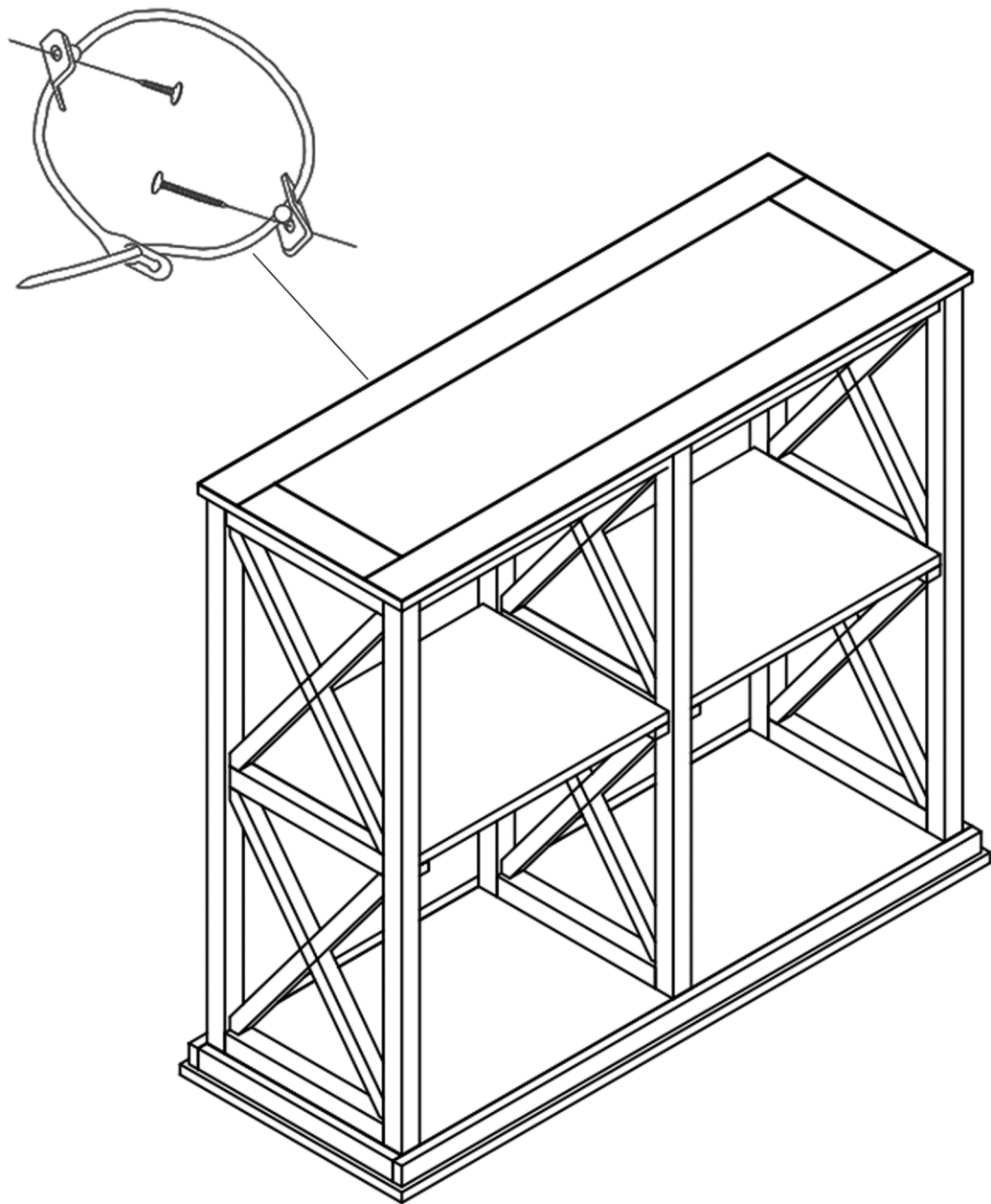


**STEP 3**



**STEP 4**





**Parts Enclosed/Material Fourni/Partes incluidas**

**Installation Instructions:**

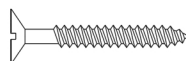
**This tip restraint must be attached to a wall stud using the 2'screw enclosed.**



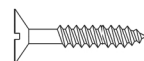
**x2**



**x1**



**x1**



**x1**