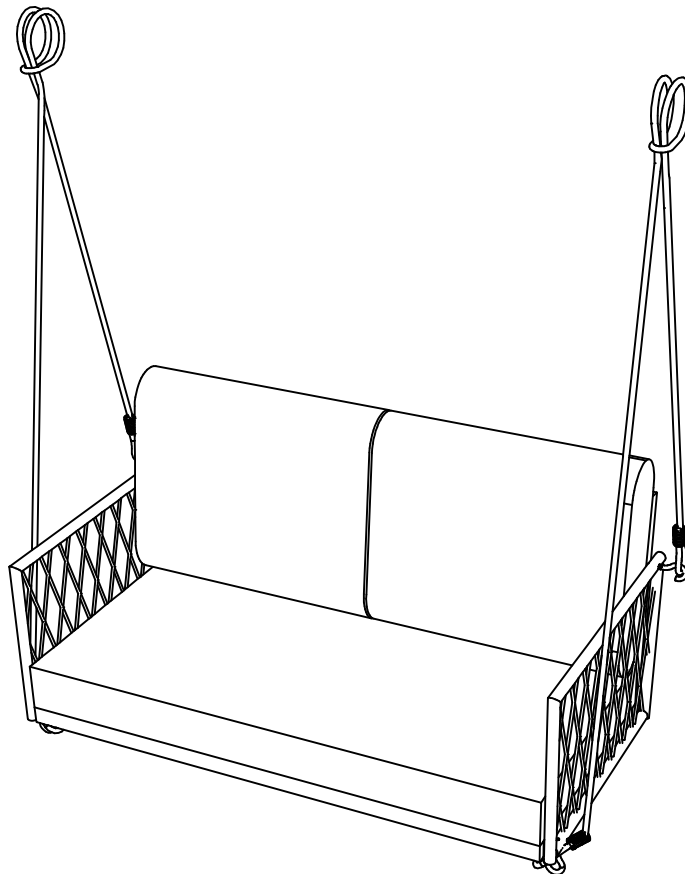


ASSEMBLY INSTRUCTION

OUTDOOR SWING SOFA

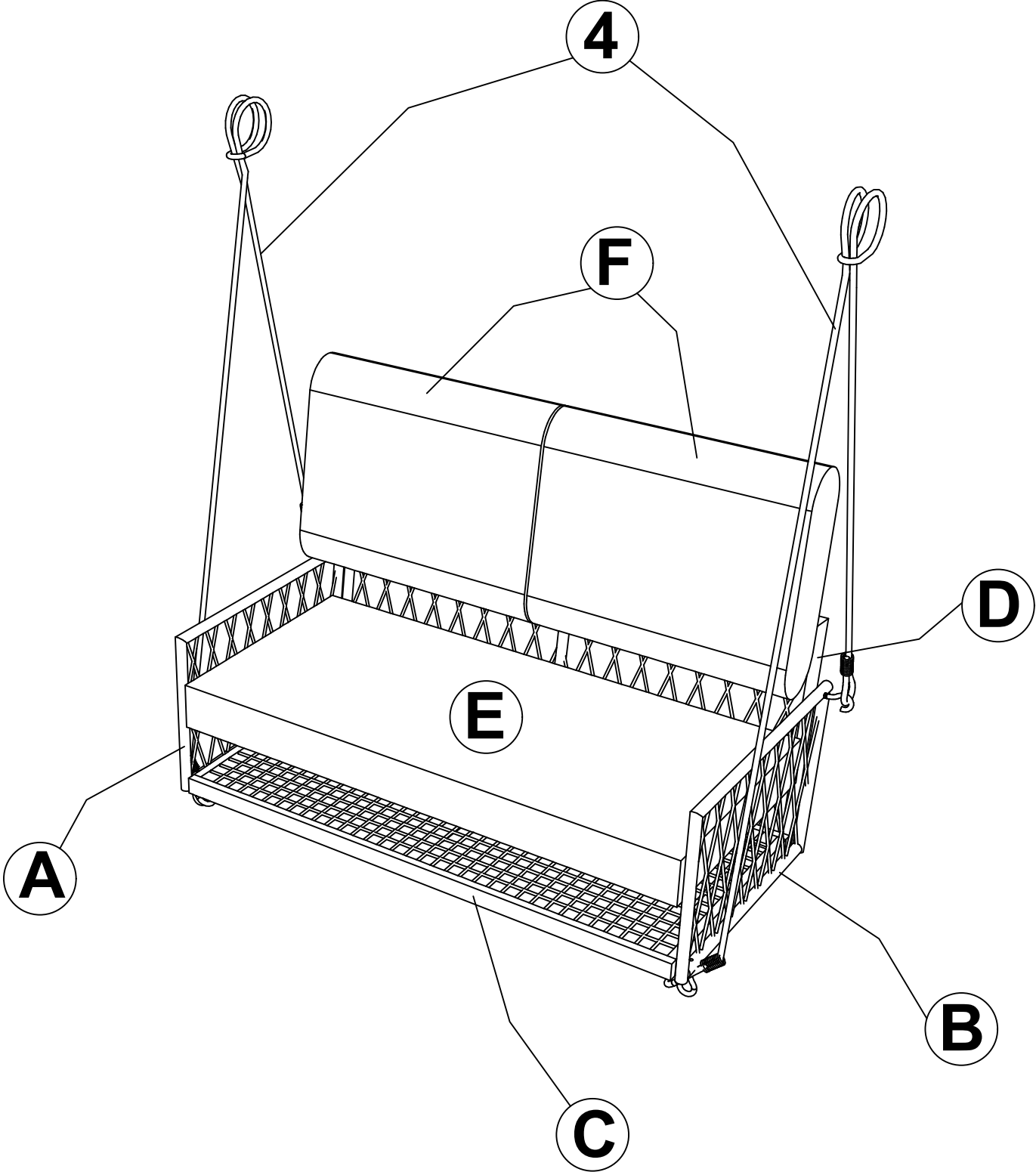


WF320727

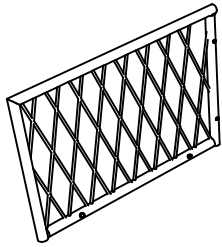
Please read all instructions carefully:

1. Have 2 adults on hand for assembly.
2. 50% Tighten before fixing all screws, Allen wrench is recommended instead of an electric drill.
3. Place the item on a flat ground to adjust and make sure it remains stable.
4. Tighten up all screws with tools gradually.
5. If the screws are not aligned with holes during assembly, please loosen all the other screws to 50% and continue the assembly process.
6. If the item is not stable, please loosen all the screws, adjust it on a flat ground and tighten up all screws again.
7. Note : If one or some screws are fully tightened during assembly, chances are the others will not be aligned with holes. In addition, all the holes are designed to be relatively larger to provide more space for the adjustment of the screws.

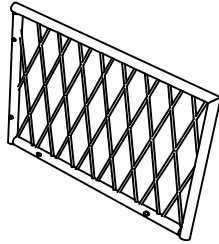
Exploded View



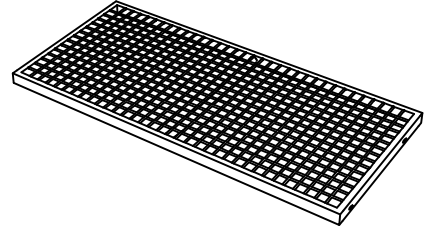
PART LIST



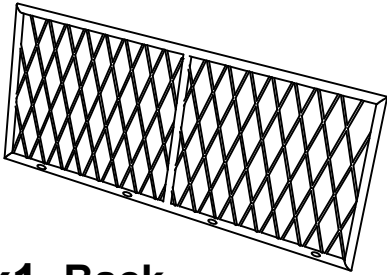
Ax1 Right arm



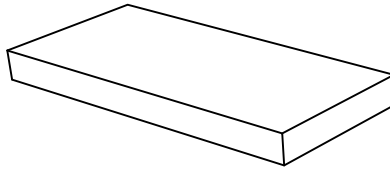
Bx1 Left arm



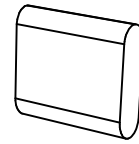
Cx1 Seat chair



Dx1 Back

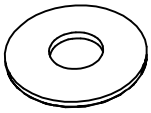


Ex1 Seat Cushion

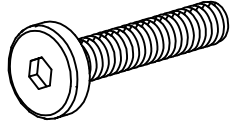


Fx2 Pillow

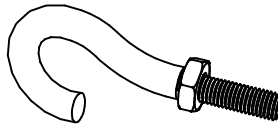
HARDWARE LIST



1- Washer: 12PCS
Extra : 1 pcs



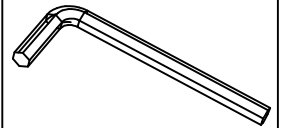
2-Bolt 6x45: 12PCS
Extra : 1 pcs



3-Hook: 4 PCS

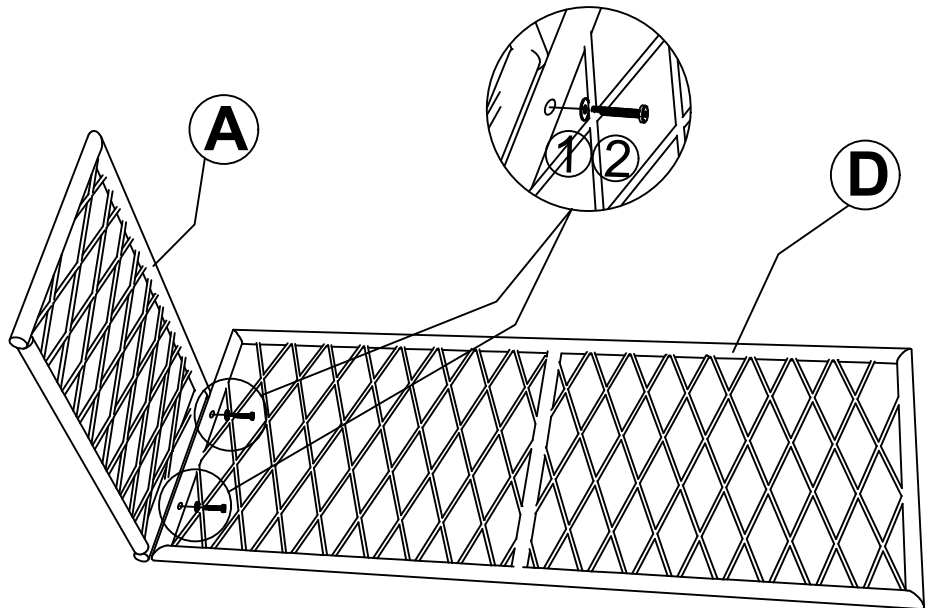
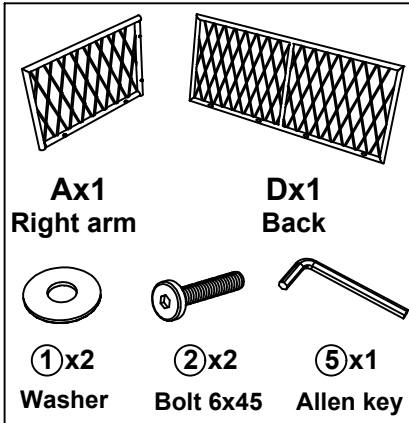


4- Swing hanging rope: 2PCS



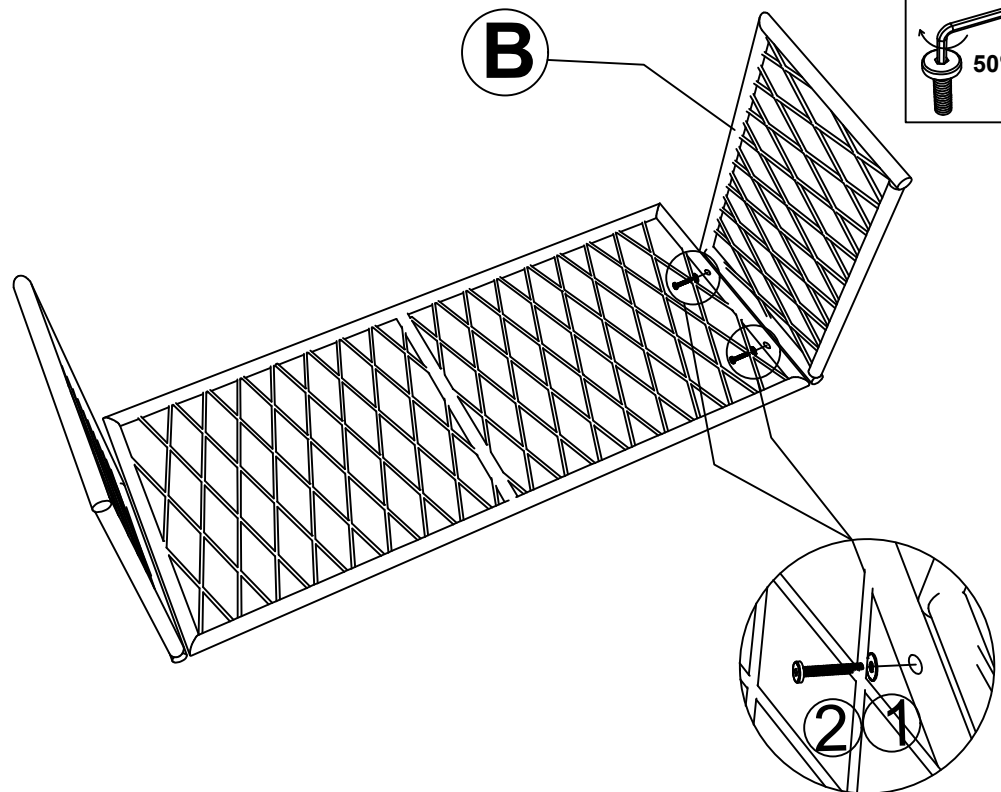
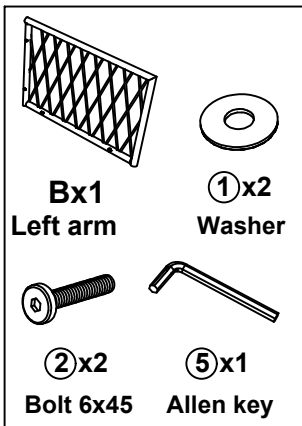
5- Allen key: 2PCS

Step 1



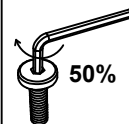
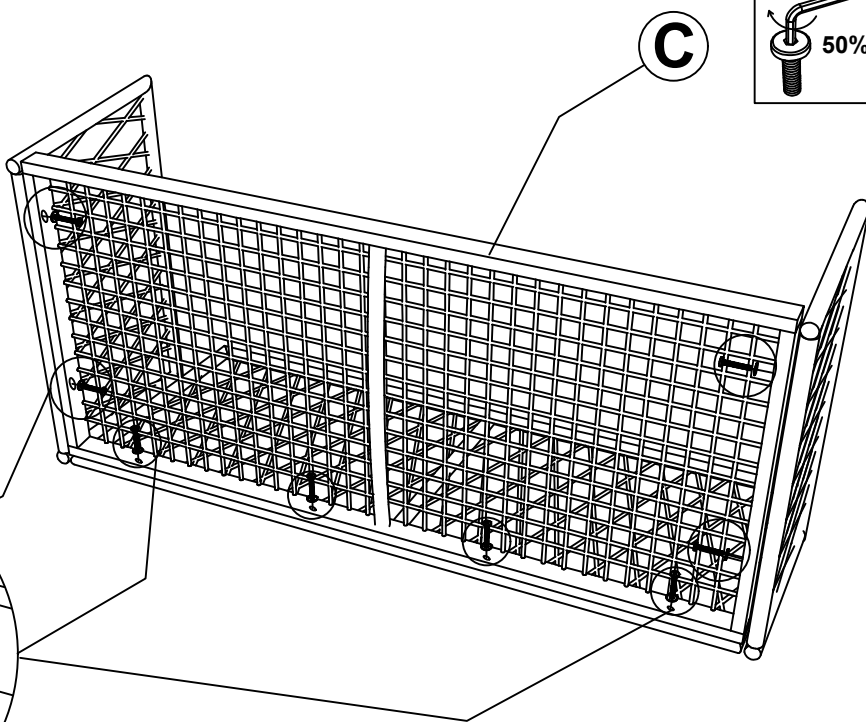
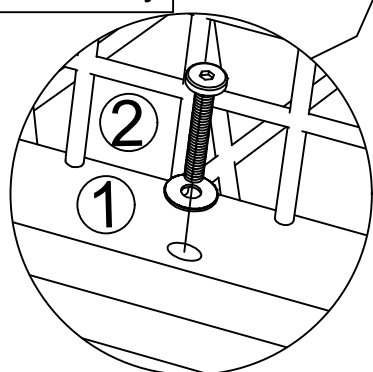
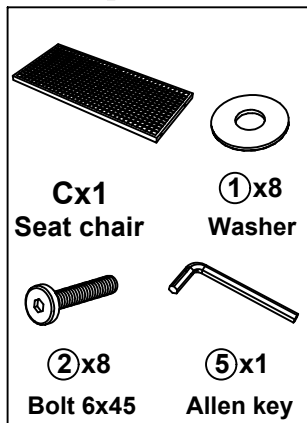
Connect The Right arm (A) & Back (D), tighten Bolt (2), Flat Washer (1) With Allen key (5)

Step 2



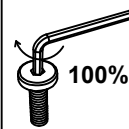
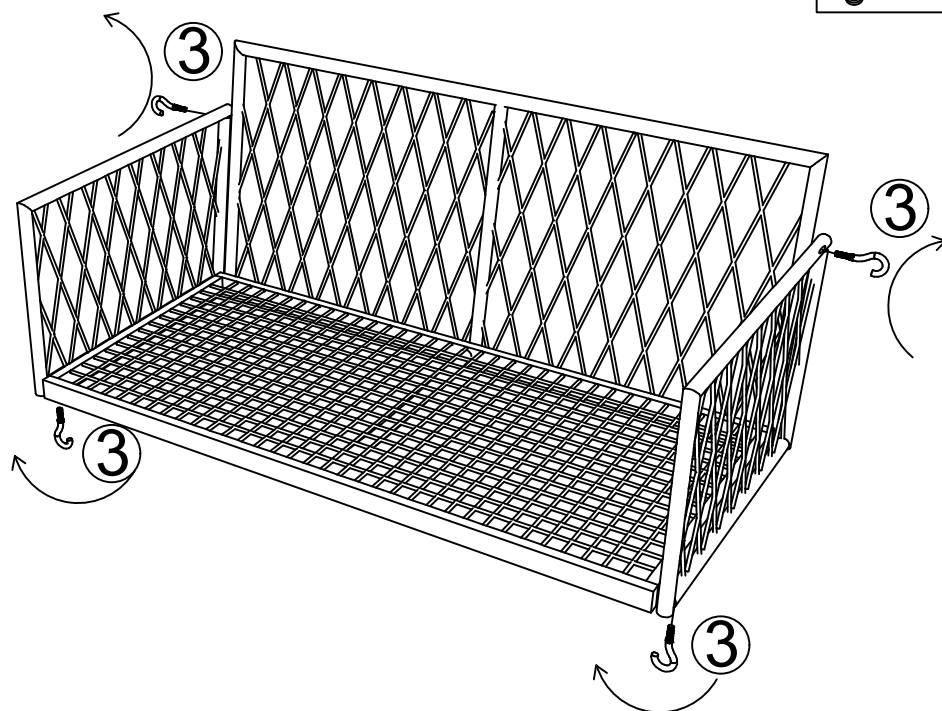
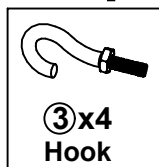
Connect The part from Step (1) & left (B), tighten Bolt (2), Flat Washer (1) With Allen key (4)

Step 3



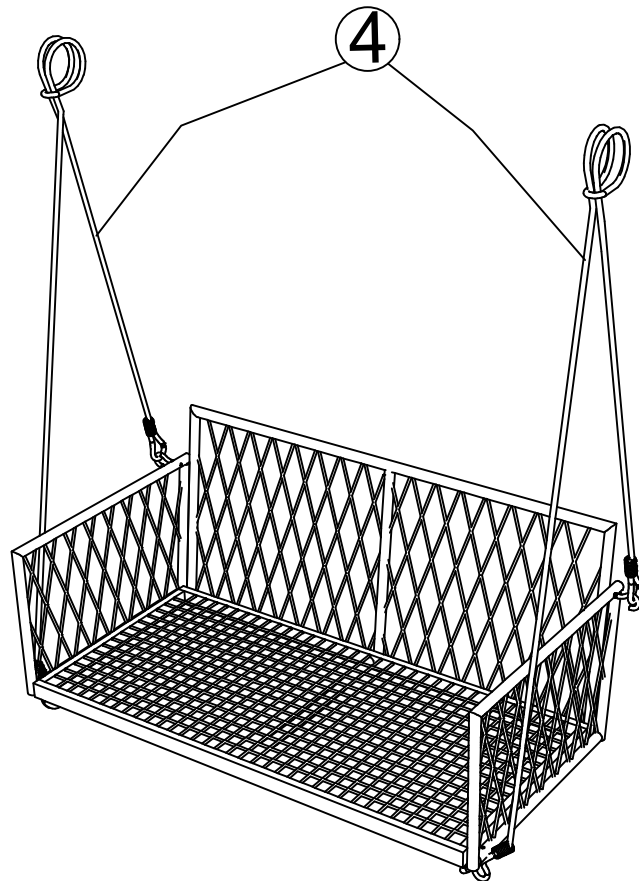
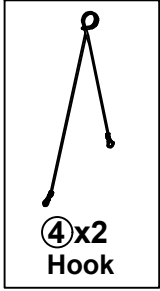
Connect The part from Step (2) & Seat chair (C), tighten Bolt (2), Flat Washer (1) With Allen key (4)

Step 4



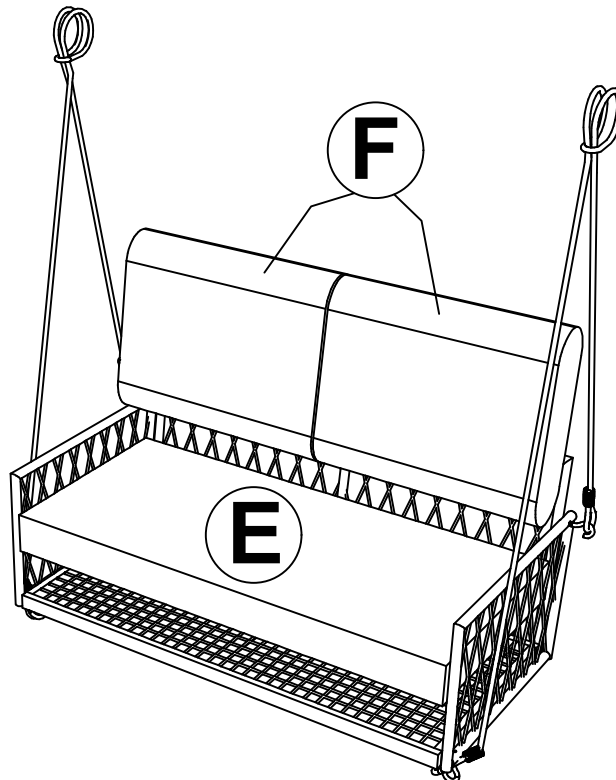
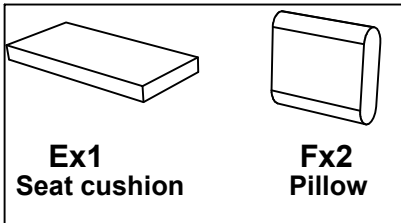
Connect The part from Step (3) & Hook (3)

Step 5



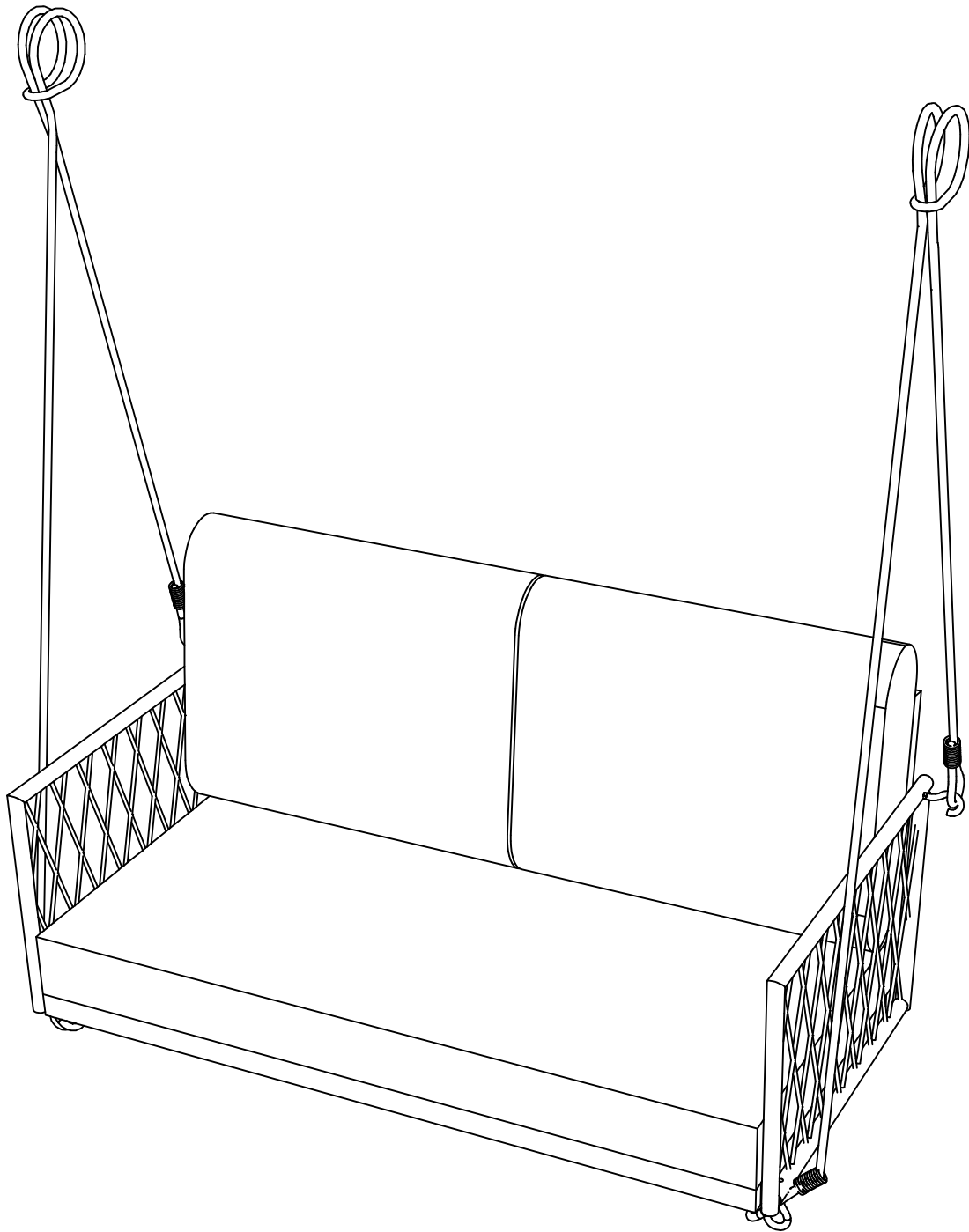
Connect The part from Step (4) & Swing hanging rope (4),

Step 6



Put on Seat cushion (E), Pillow (F), to Swing to finish swing

Step 7



Finish Outdoor Swing Sofa