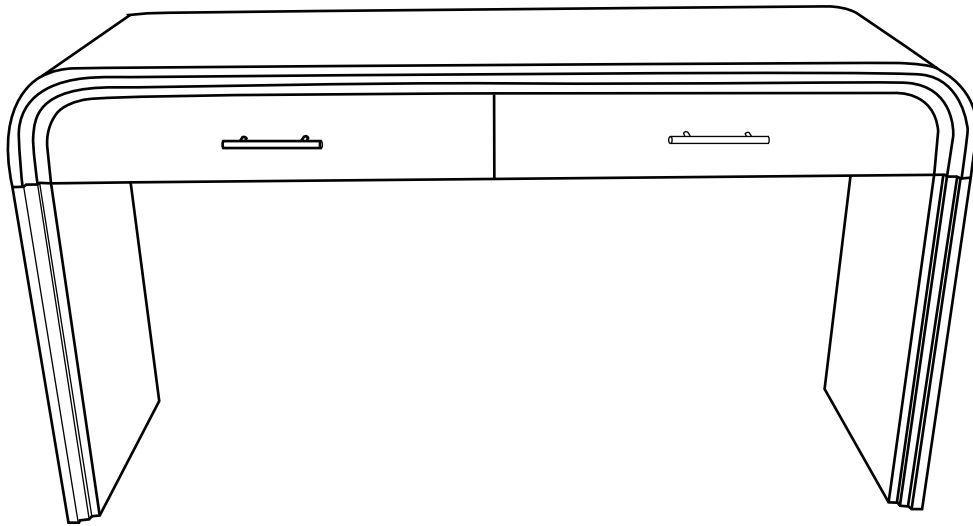


ASSEMBLY INSTRUCTION

ITEM:WF317094

Console Table



ASSEMBLY INSTRUCTION

ITEM:WF317094

Please read these instructions fully before starting assembly :

Tools required: Phillips screwdriver(medium & large)

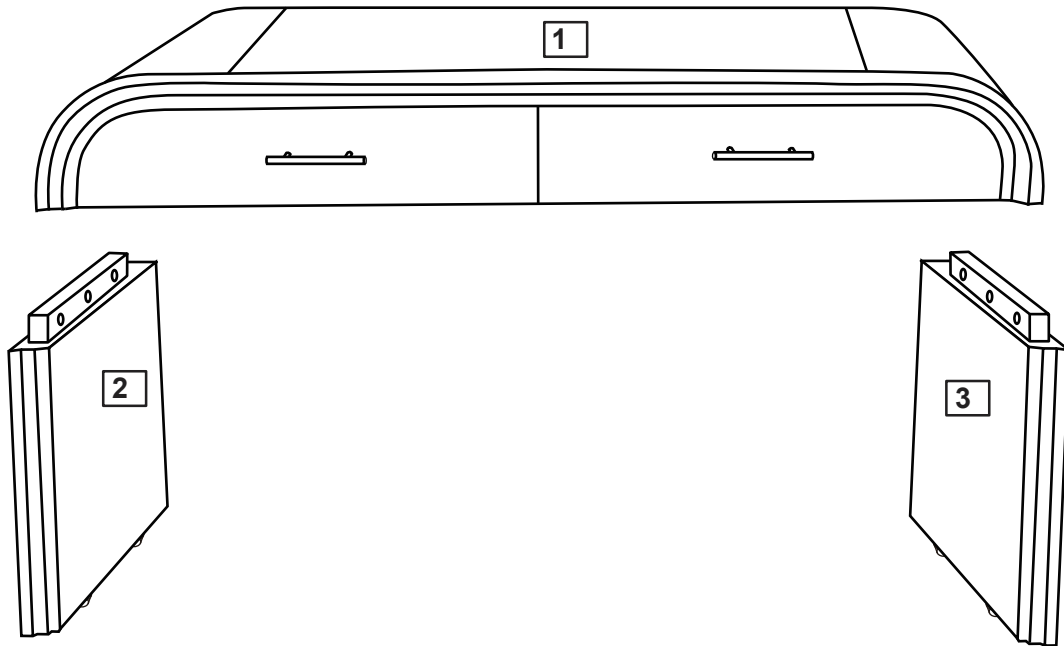
- 1.Check you have all the components and tools listed on the following pages.
- 2.Remove all fittings from the plastic bags and separate them into their groups.
- 3.Keep children and animals away from the work area, small parts could choke if swallowed.
- 4.Make sure you have enough space to layout the parts before starting.
- 5.During assembly do not stand or put weight on the product, this could cause damage.
- 6.Assemble the item as close to its final position (in the same room) as possible.
- 7.Assemble on a soft level surface to avoid damaging the unit or your floor.
- 8.Parts of the assembly will be easier with 2 people.
- 9.To reduce the likelihood of damaging your product please ensure that your power drill is set on a low torque setting.
- 10.Assemble all parts and bolts loosely during assembly, only once the product is complete should you fully tighten the bolts.
- 11.Regularly check and ensure That all bolts and fittings are tightend properly.
- 12.Please do not place items that exceed the load capacity.

Care and maintenance

Only clean using a damp cloth and mild detergent, do no use bleach or abrasive cleaners.

ASSEMBLY INSTRUCTION

ITEM:WF317094

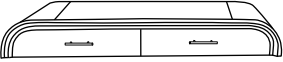




Part List

ITEM:WF317094

Please check you have all the panels listed below

Note: The quantities below are the correct amount to complete the assembly. In some cases more fittings may be supplied than are required.

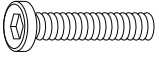
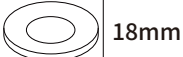

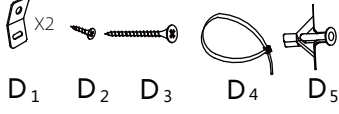

<p>①</p>  <p>Top Panel 1 PC</p>	<p>②</p>  <p>Left Panel 1 PC</p>	<p>③</p>  <p>Right Panel 1 PC</p>
--	---	---

Hardware list

ITEM:WF317094

Please check you have all the panels listed below

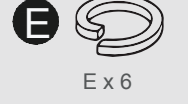
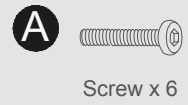
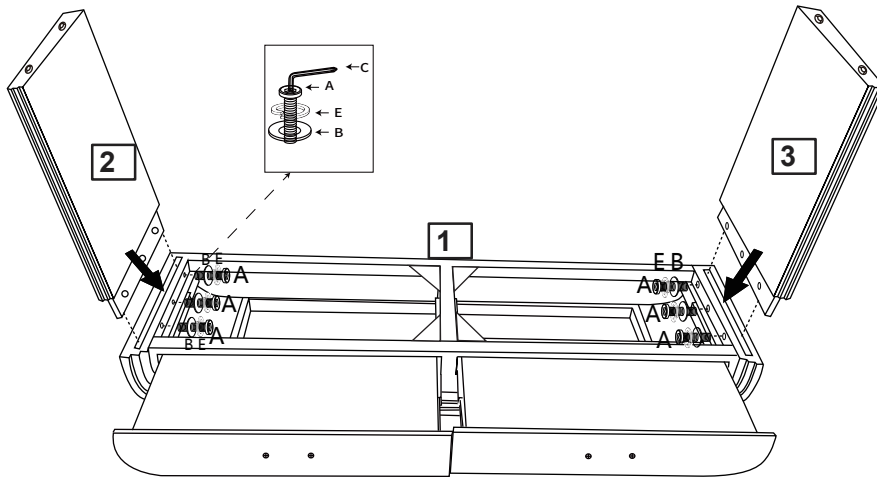
Note: The quantities below are the correct amount to complete the assembly. In some cases more fittings may be supplied than are required.

<p>A</p>  <p>7*45mm Screw x 6</p>	<p>B</p>  <p>18mm</p> <p>B x 6</p>	<p>C</p>  <p>C x 1</p>	<p>D</p>  <p>D₁ D₂ D₃ D₄ D₅</p> <p>D x 1</p>
<p>E</p>  <p>E x 6</p>			

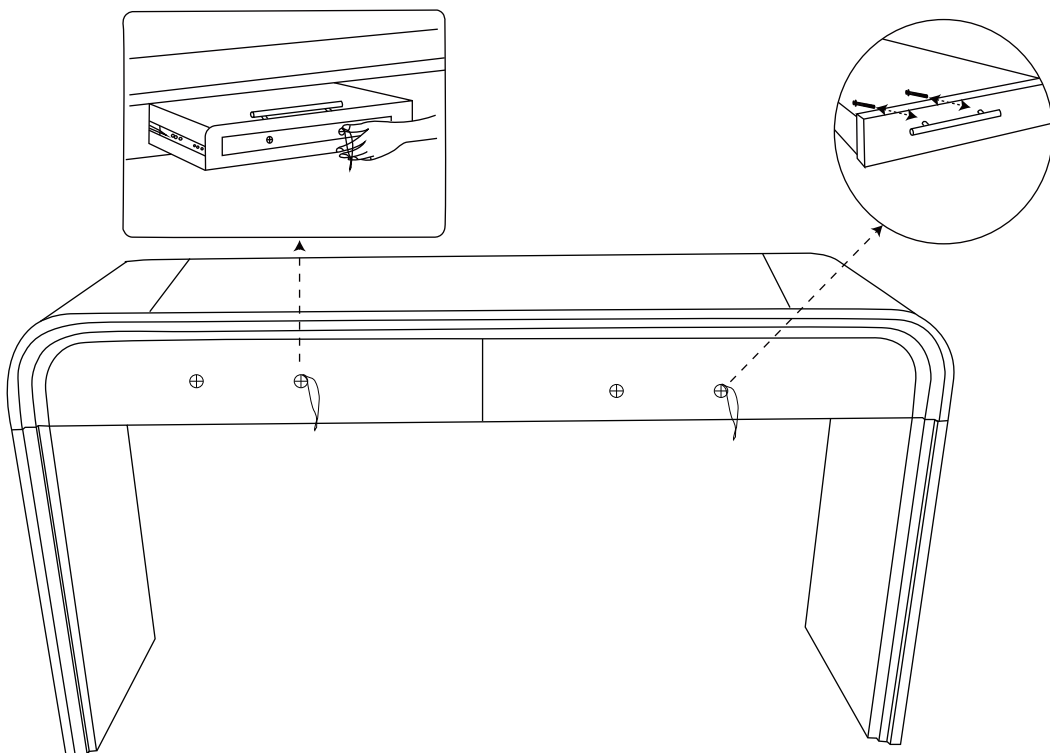
ASSEMBLY INSTRUCTION

ITEM:WF317094

Step 1



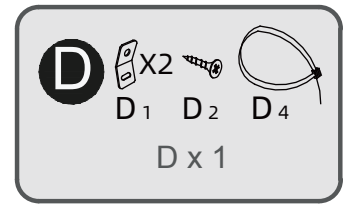
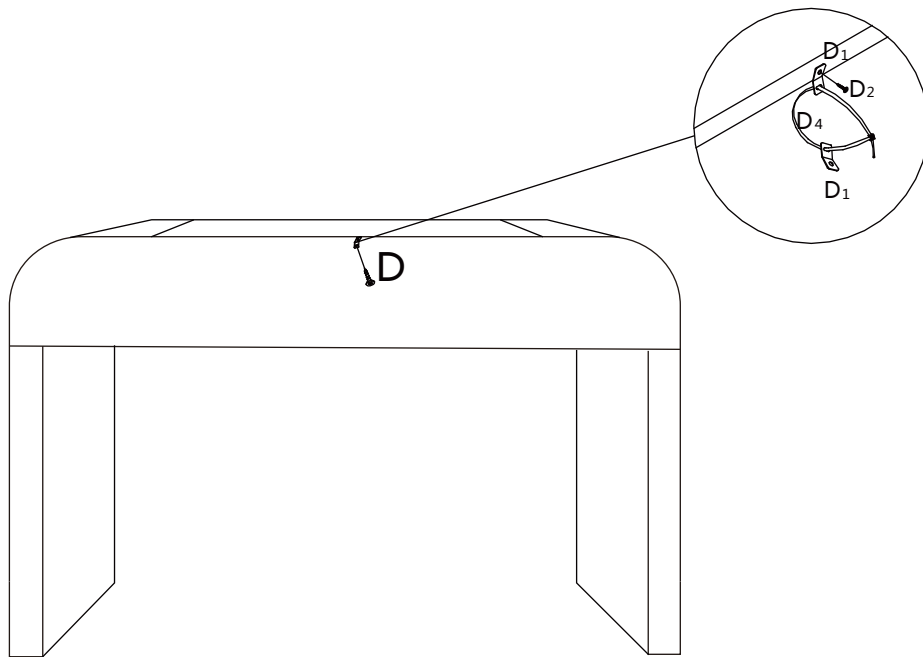
Step 2



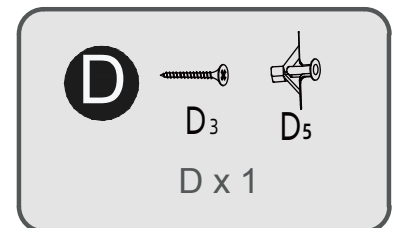
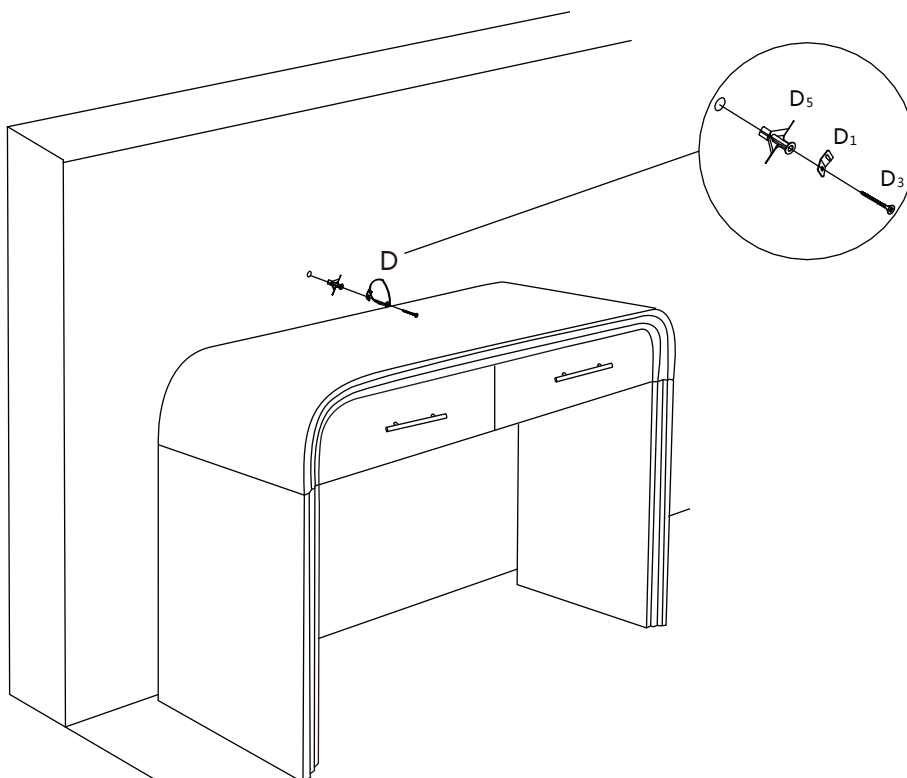
ASSEMBLY INSTRUCTION

ITEM:WF317094

Step 3



Step 4



Assembly is complete.