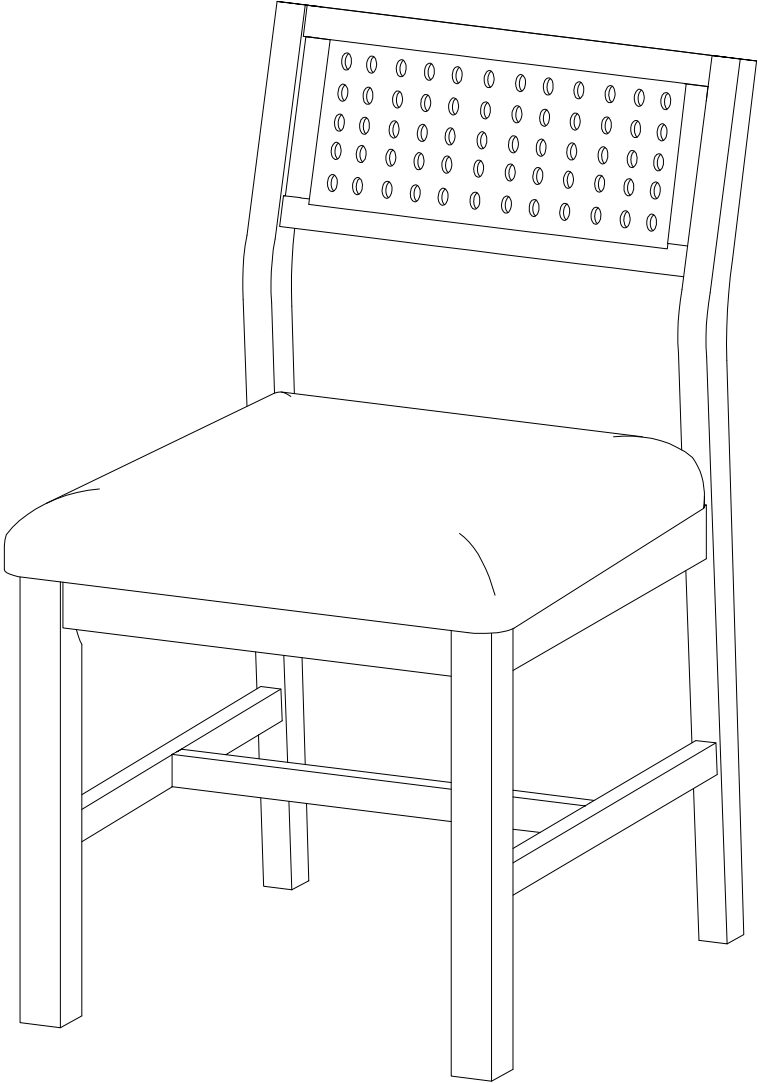


ASSEMBLY INSTRUCTION  
ITEM: WF318144

**DINING CHAIR**



## Please read these instructions fully before starting assembly:

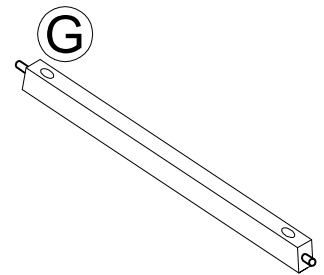
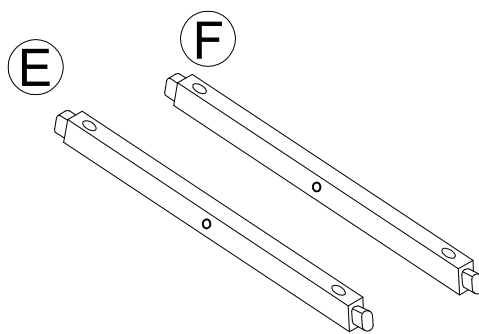
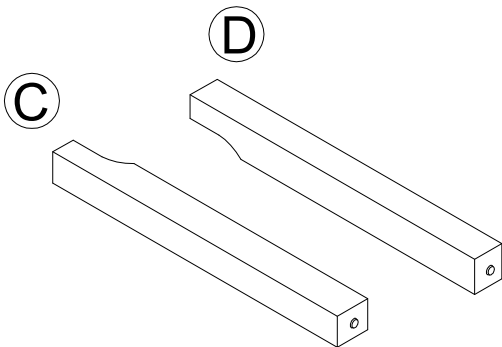
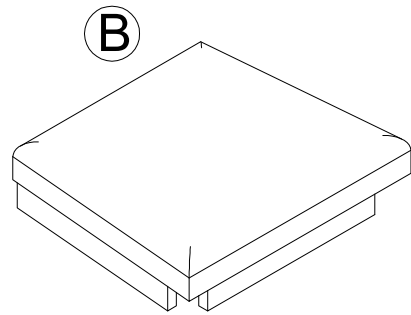
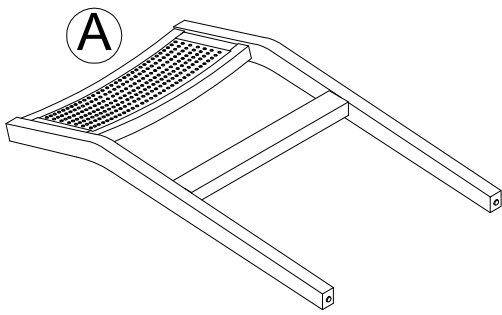
1. Place all wooden parts on a clean and smooth surface such as a rug or carpet to avoid scratching the parts.
2. Kindly follow the assembly instructions step by step.
3. Do not tighten all screws and bolts until the chair is fully assembled.
4. Unscrew the protective plastic supports from the metal insert of the legs before assembly.
5. Parts of the assembly will be easier with 2 people.

## Care and maintenance:

Only clean using a damp cloth and mild detergent, do not use bleach or abrasive cleaners.

# ASSEMBLY INSTRUCTION

## ITEM: WF318144



### Part List For One

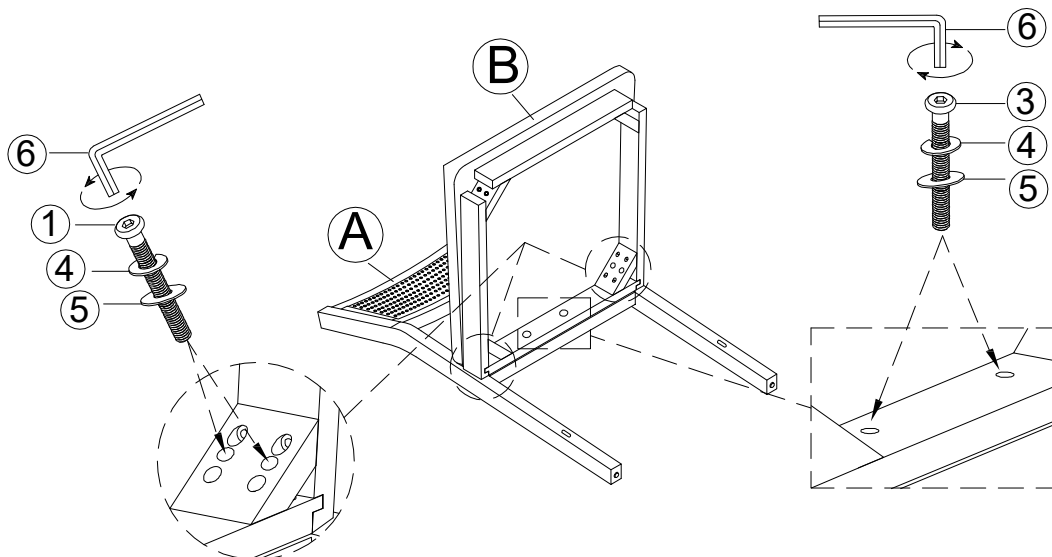
### Hardware List For One





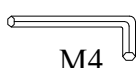
A		CHAIR BACK (1PC)	1	 Ø1/4"x80mm	LONG BOLT (4PCS)
B		SEAT CUSHION (4PCS)	2	 Ø1/4"x60mm	BOLT (4PCS)
C		LEFT LEG (2PCS)	3	 Ø1/4"x38mm	BOLT (2PCS)
D		RIGHT LEG (1PC)	4	 Ø1/4"x11mm	SPRING WASHER (10PCS)
E		SIDE STRECHER (1PC)	5	 Ø1/4"x19mm	FLAT WASHER (10PCS)
F		SIDE STRECHER (1PC)	6	 M4	ALLEN KEY (1PC)
G		CENTER STRECHER (1PC)	7	 #8x38mm	WOOD SCREW (6PCS)

# ASSEMBLY INSTRUCTION

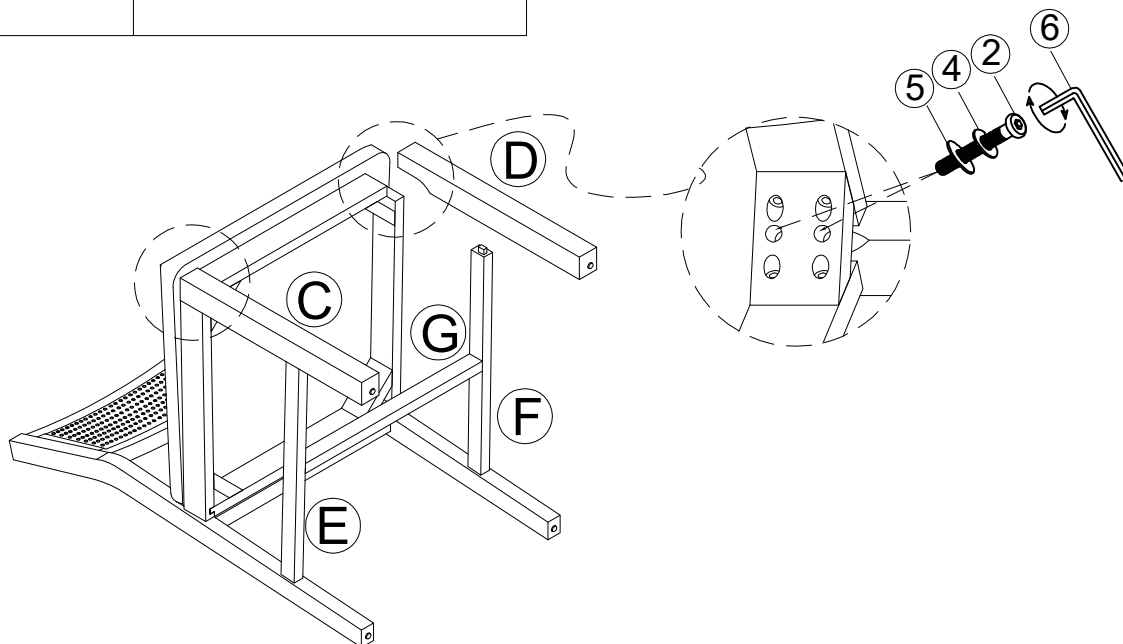
## ITEM: WF318144

### STEP 1



<b>1</b>  $\text{Ø}1/4" \times 80\text{mm}$	<b>LONG BOLT</b> <b>(4PCS)</b>	<b>3</b>  $\text{Ø}1/4" \times 38\text{mm}$	<b>BOLT</b> <b>(2PCS)</b>
<b>4</b>  $\text{Ø}1/4" \times 11\text{mm}$	<b>SPRING WASHER</b> <b>(10PCS)</b>	<b>5</b>  $\text{Ø}1/4" \times 19\text{mm}$	<b>FLAT WASHER</b> <b>(10PCS)</b>
<b>6</b>  <b>M4</b>	<b>ALLEN KEY</b> <b>(1PC)</b>		

### STEP 2

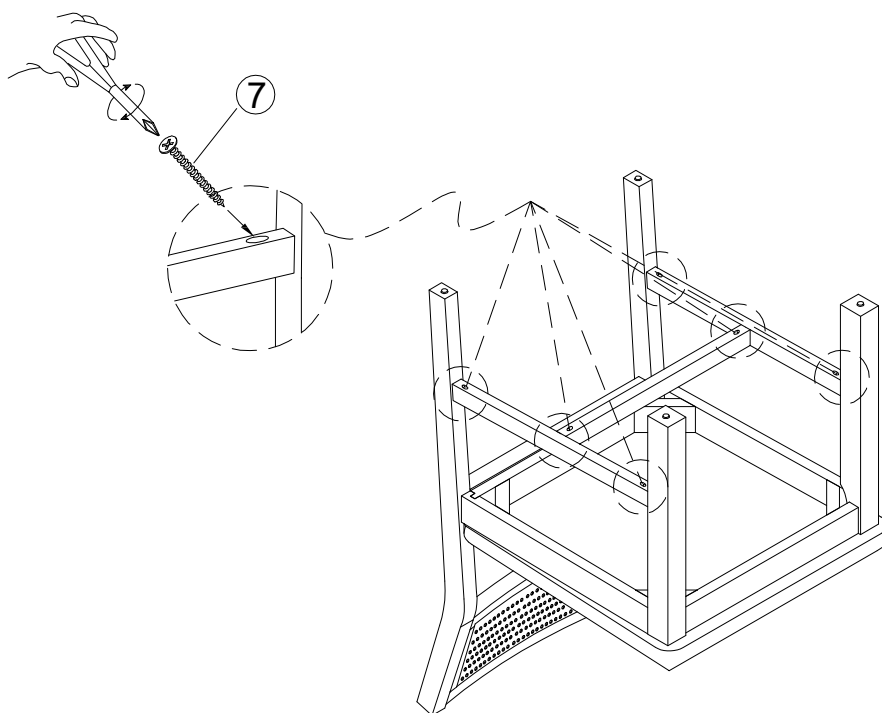


<b>2</b>  $\text{Ø}1/4" \times 60\text{mm}$	<b>BOLT</b> <b>(4PCS)</b>	<b>4</b>  $\text{Ø}1/4" \times 11\text{mm}$	<b>SPRING WASHER</b> <b>(10PCS)</b>
<b>5</b>  $\text{Ø}1/4" \times 19\text{mm}$	<b>FLAT WASHER</b> <b>(10PCS)</b>	<b>6</b>  <b>M4</b>	<b>ALLEN KEY</b> <b>(1PC)</b>

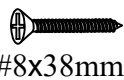
# ASSEMBLY INSTRUCTION

## ITEM: WF318144

STEP 3



7



#8x38mm

WOOD SCREW  
(6PCS)

COMPLETE

