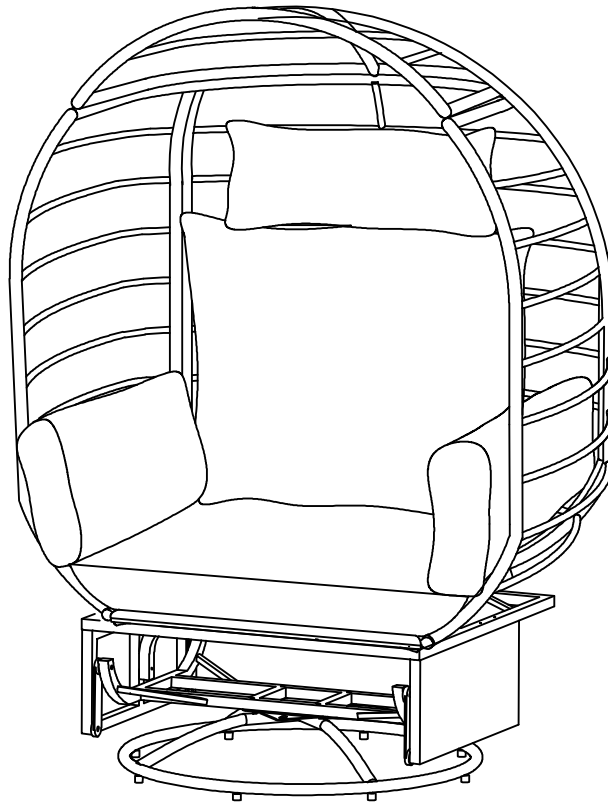


ASSEMBLY INSTRUCTION

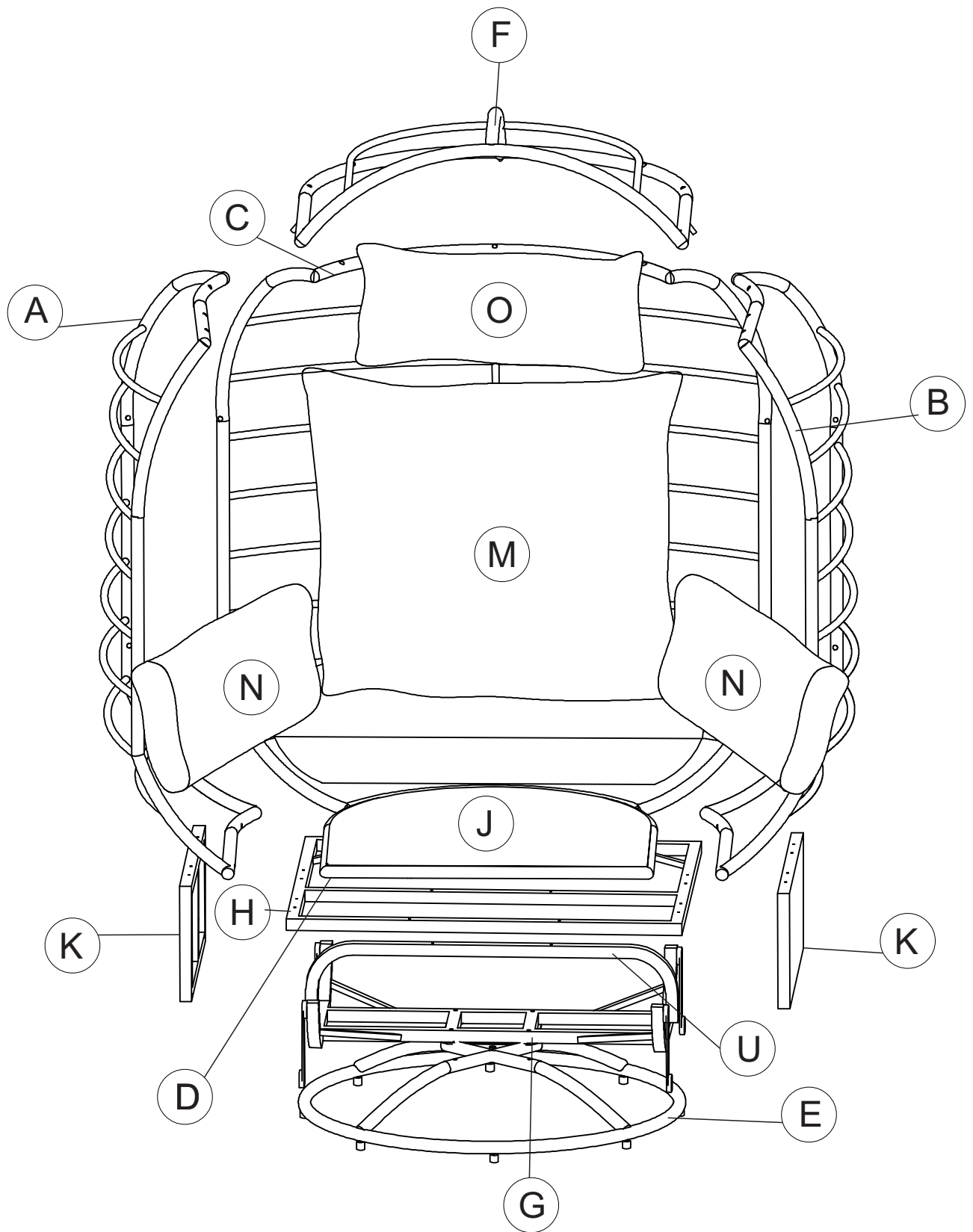
OUTDOOR SWIVEL CHAIR





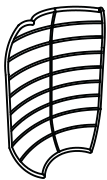
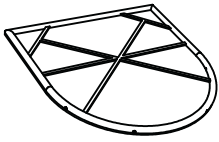
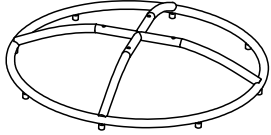

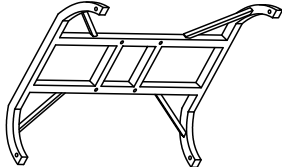
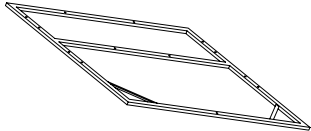
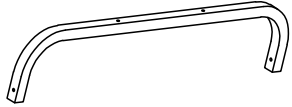

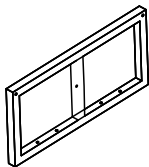
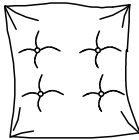
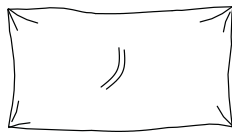
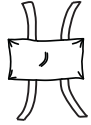
WF318105

Please read all instructions carefully:






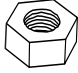
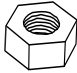










- 1. Have 2 adults on hand for assembly.**
- 2. 50% Tighten before fixing all screws, Allen wrench is recommended instead of an electric drill.**
- 3. Place the item on a flat ground to adjust and make sure it remains stable.**
- 4. Tighten up all screws with tools gradually.**
- 5. If the screws are not aligned with holes during assembly, please loosen all the other screws to 50% and continue the assembly process.**
- 6. If the item is not stable, please loosen all the screws, adjust it on a flat ground and tighten up all screws again.**
- 7. Note : If one or some screws are fully tightened during assembly, chances are the others will not be aligned with holes. In addition, all the holes are designed to be relatively larger to provide more space for the adjustment of the screws.**



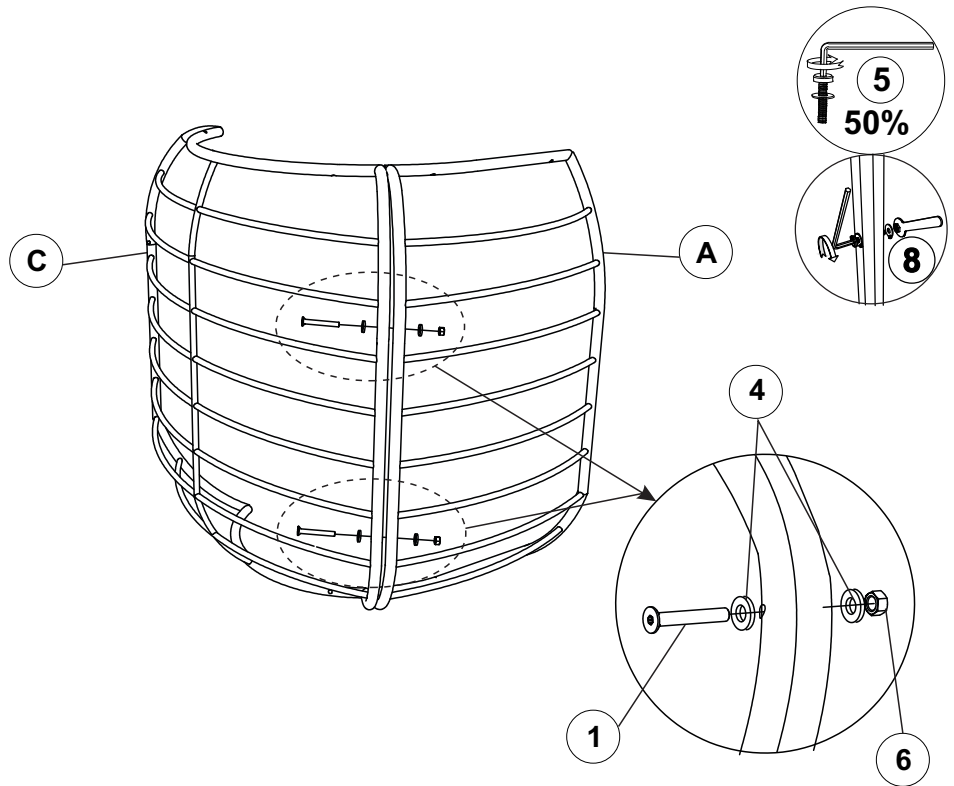
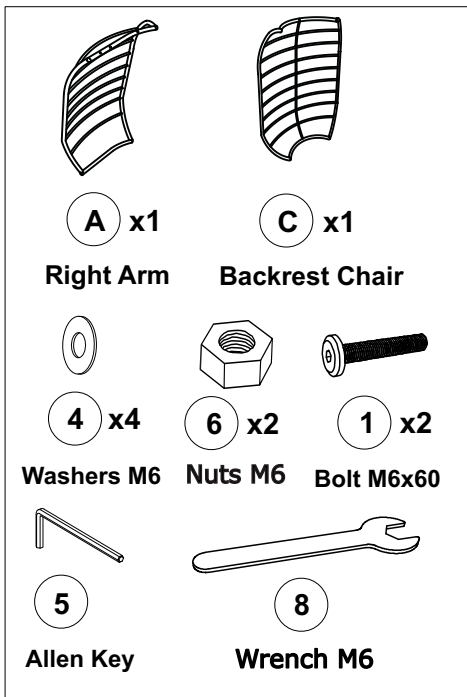
Part List :

<p>A</p>  <p>Right Arm (1pc)</p>	<p>B</p>  <p>Left Arm (1pc)</p>	<p>C</p>  <p>Backrest Chair (1pc)</p>	<p>D</p>  <p>Seat Chair (1pc)</p>
<p>E</p>  <p>Seat Base (1pc)</p>	<p>F</p>  <p>Seat Cover (1pc)</p>	<p>G</p>  <p>Rotating Frame (1pc)</p>	<p>H</p>  <p>Rectangle Frame (1pc)</p>
<p>I</p>  <p>U-Shape Frame (1pc)</p>	<p>J</p>  <p>Cushion (1pc)</p>	<p>K</p>  <p>Side Frame (2pcs)</p>	<p>M</p>  <p>Mattress (1pc)</p>
<p>N</p>  <p>Big Pillow (2pcs)</p>	<p>O</p>  <p>Small Pillow (1pc)</p>		

Hardware list:

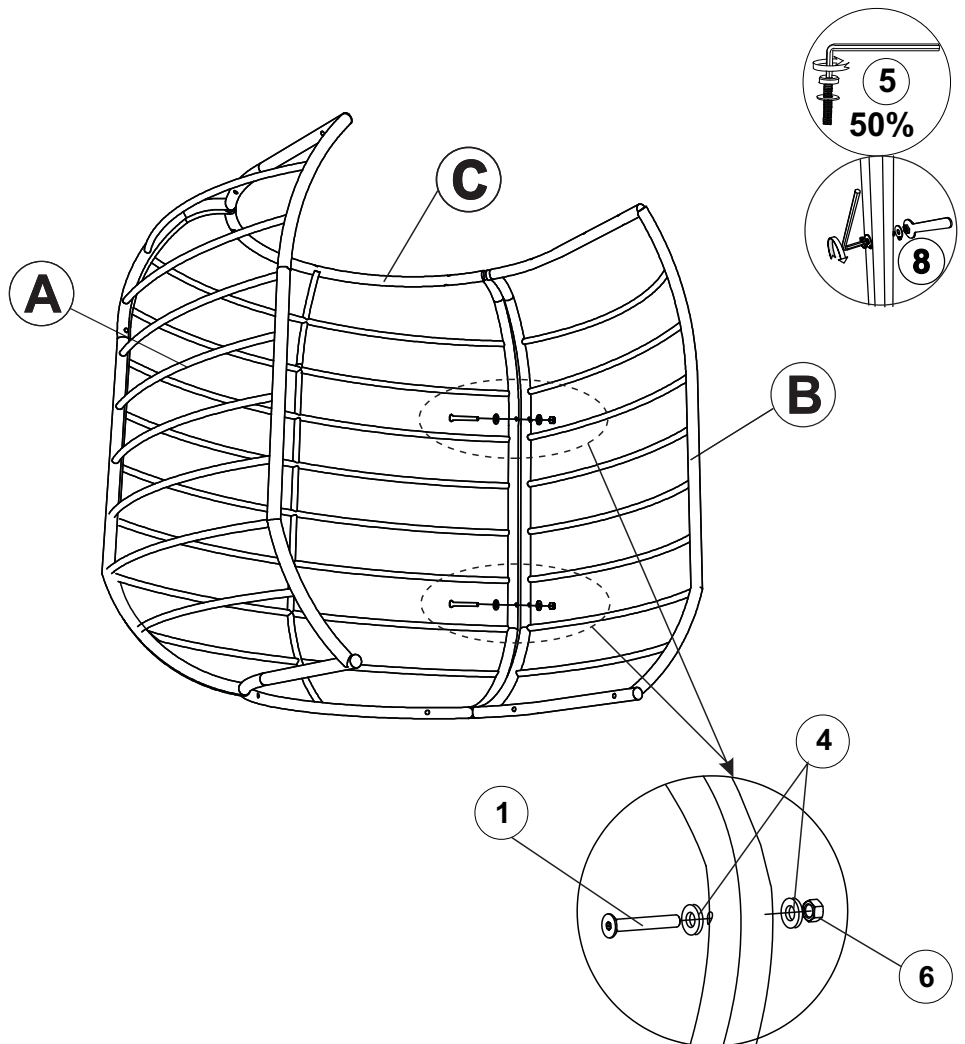
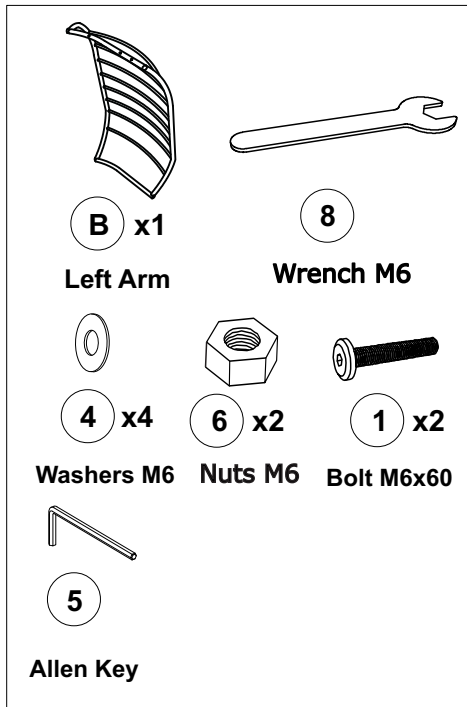
<p>1</p>  <p>M6x60mm (10 pcs)</p>	<p>2</p>  <p>M8x35mm (12 pcs)</p>	<p>3</p>  <p>M6x40mm (21 pcs)</p>	<p>4</p>  <p>Flat Washer M6 (41 pcs)</p>
<p>5</p>  <p>Allenkey (2 pcs)</p>	<p>6</p>  <p>Nuts M6 (10 pcs)</p>	<p>7</p>  <p>Nuts M8 (12 pcs)</p>	<p>8</p>  <p>Wrench M6 (1 pc)</p>
<p>9</p>  <p>Wrench M8 (1 pc)</p>	<p>10</p>  <p>Plastic Bolt's Cap (10 pcs)</p>	<p>11</p>  <p>Plastic Nut's Cap (10 pcs)</p>	<p>12</p>  <p>Y-Shape Bars (4 pcs)</p>
<p>13</p>  <p>Square Bars (1 pc)</p>	<p>14</p>  <p>Plastic foot (8 pcs)</p>	<p>15</p>  <p>Flat Washer M8 (36 pcs)</p>	<p>16</p>  <p>Spring Washer (20 pcs)</p>
<p>17</p>  <p>M8x50mm (4 pcs)</p>			

STEP 1



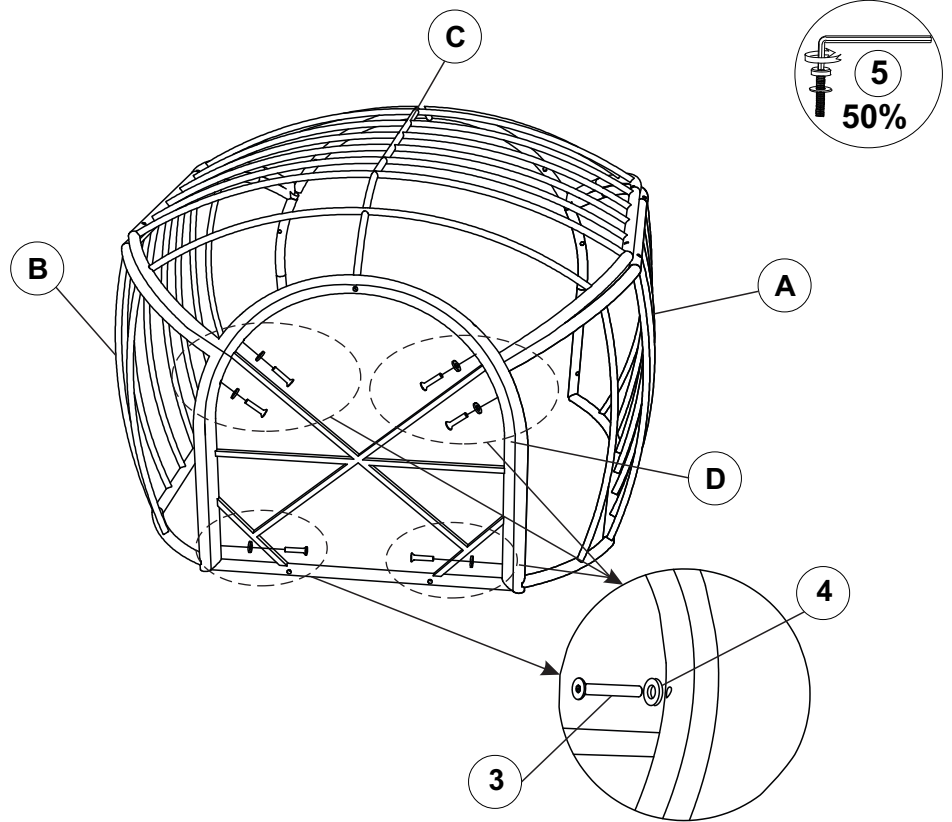
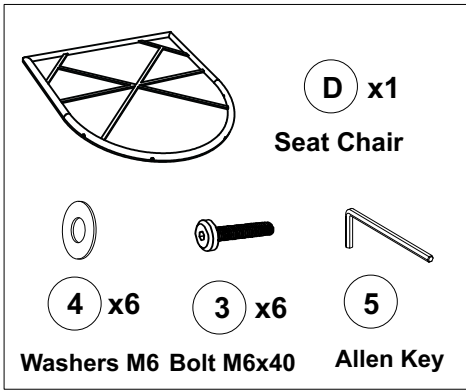
Connect Right Arm (A) & Backrest Chair (C) With Allen Key (5) & Wrench (8)

STEP 2



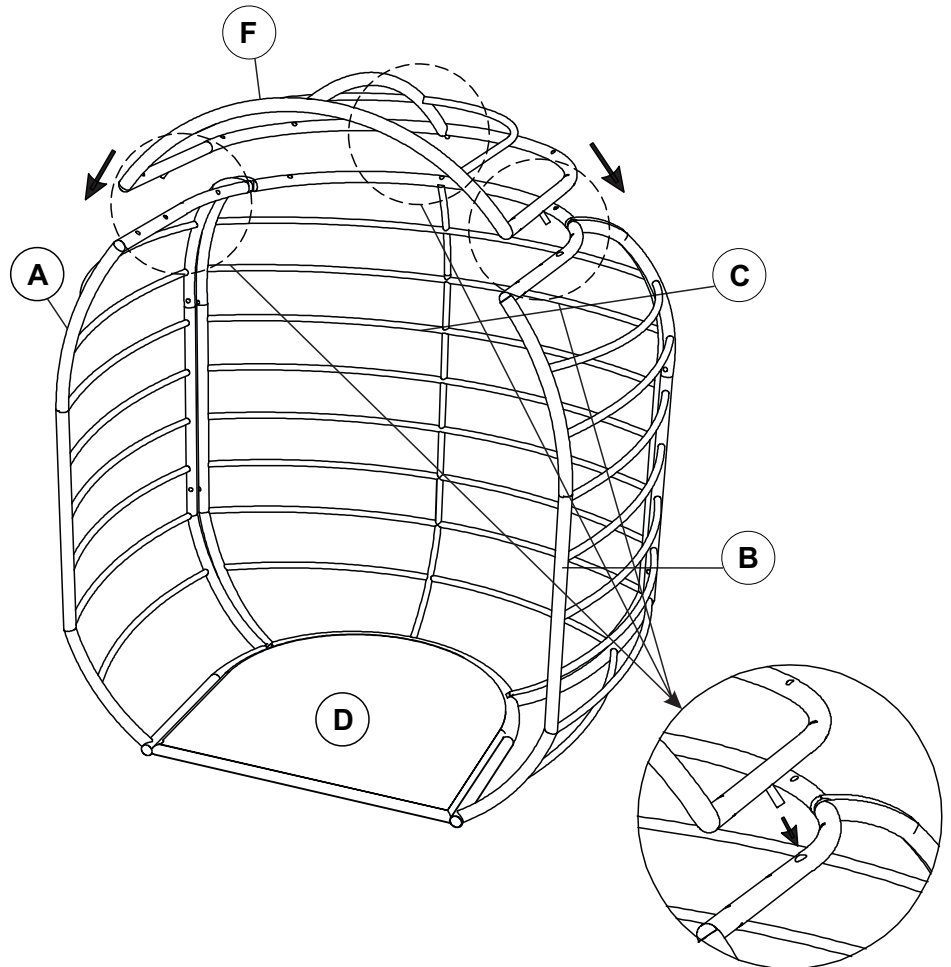
Connect Left Arm (B) & Backrest Chair (C) With Allen Key (5) & Wrench (8)

STEP 3



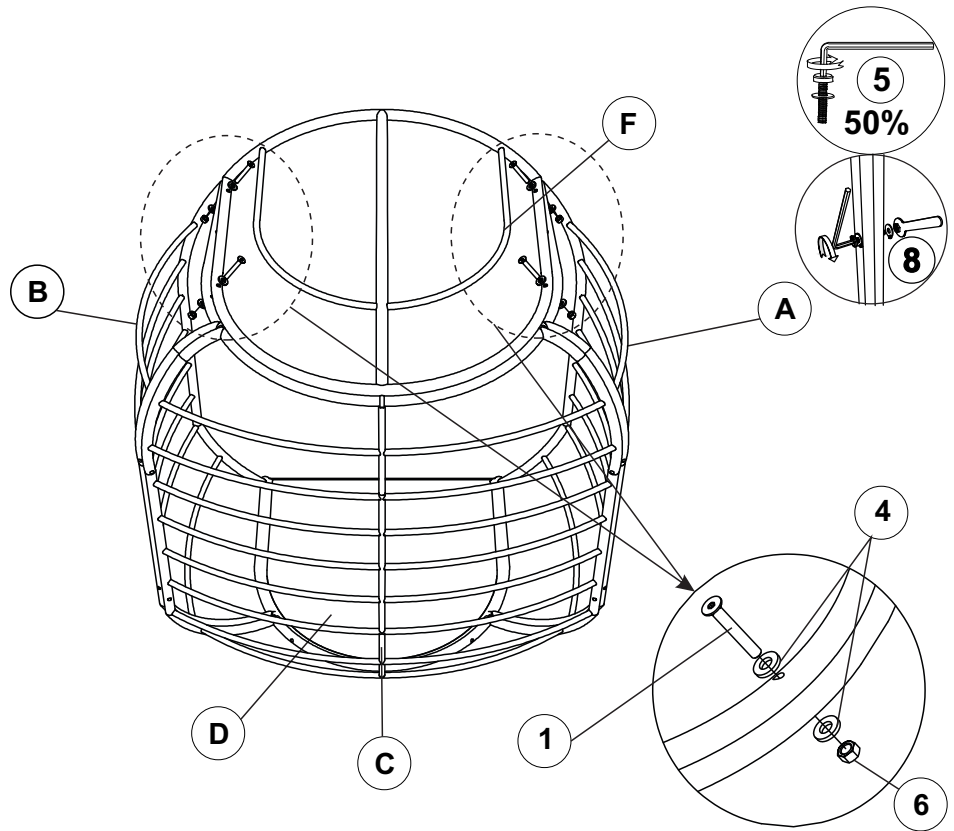
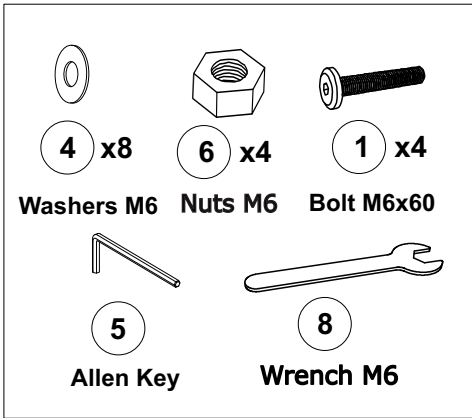
Connect Seat Chair (D), Right Arm (A), Left Arm (B), Backrest Chair (C) With Allen Key (5).

STEP 4



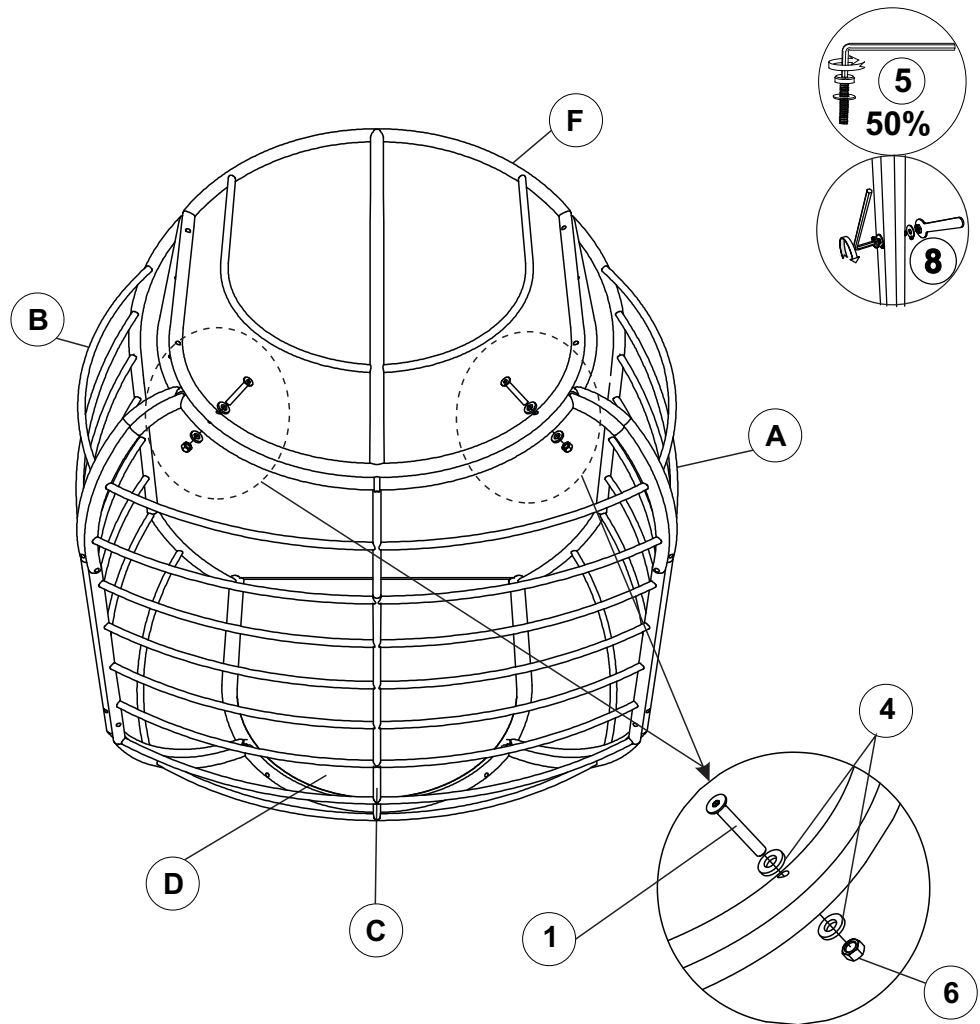
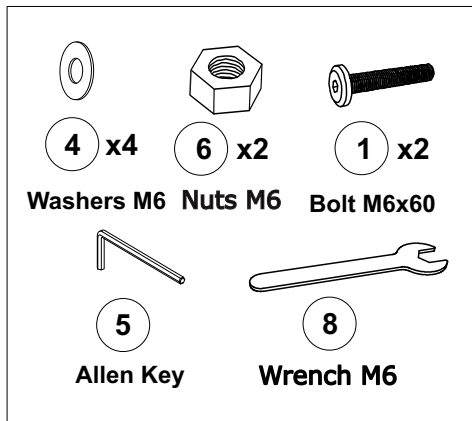
Connect Seat Cover (F) & Right Arm (A), Left Arm (B), Backrest Chair (C).

STEP 5



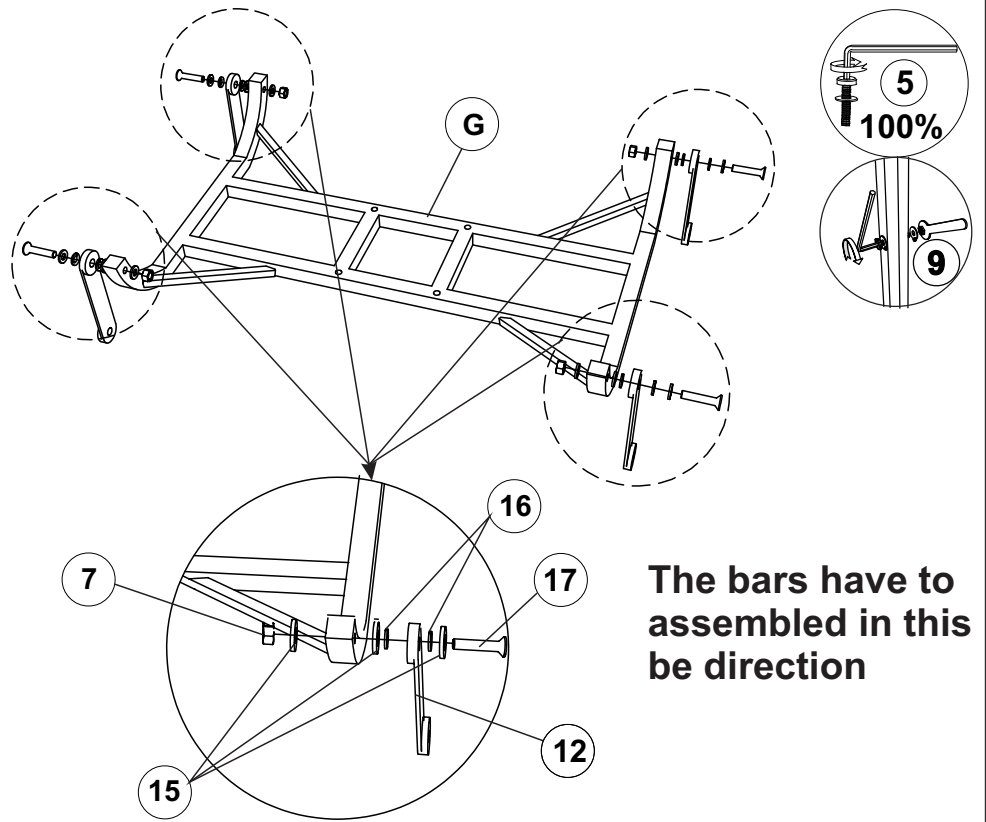
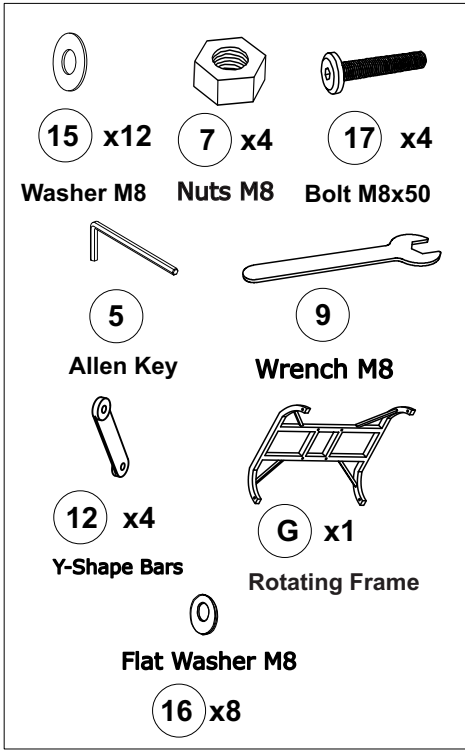
Connect Seat Cover (F) & Right Arm (A), Left Arm(B) With Allen Key (5) & Wrench (8).

STEP 6



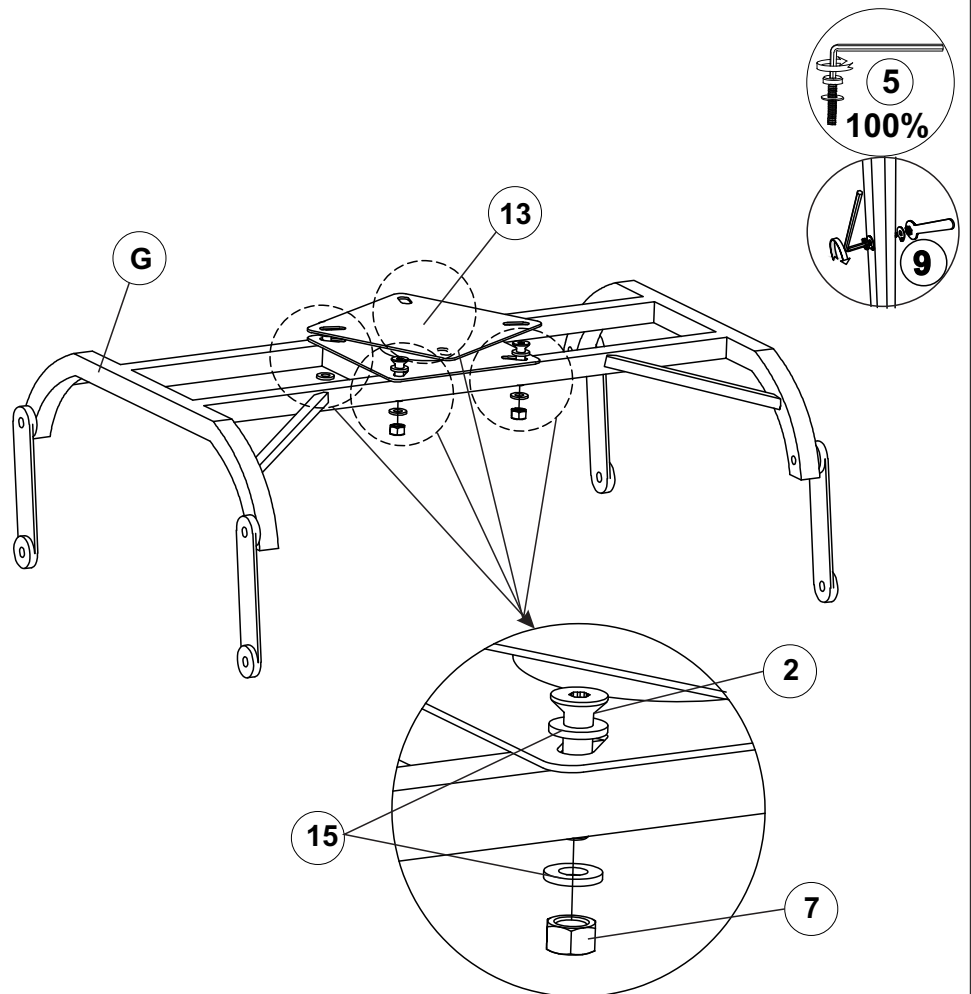
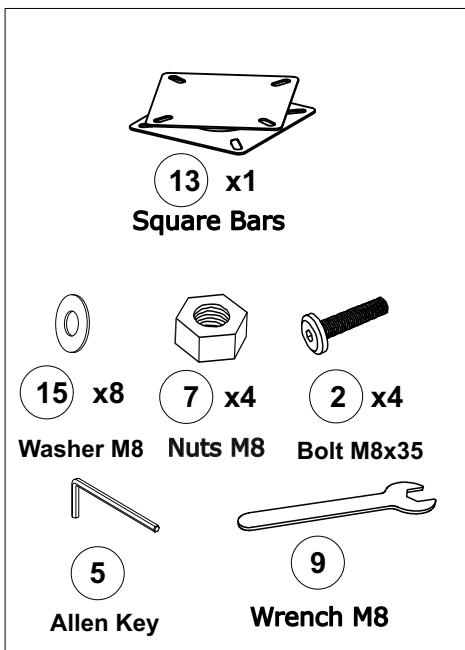
Connect Seat Cover (F) & Backrest Chair (C) With Allen Key (5) & Wrench (8).

STEP 7



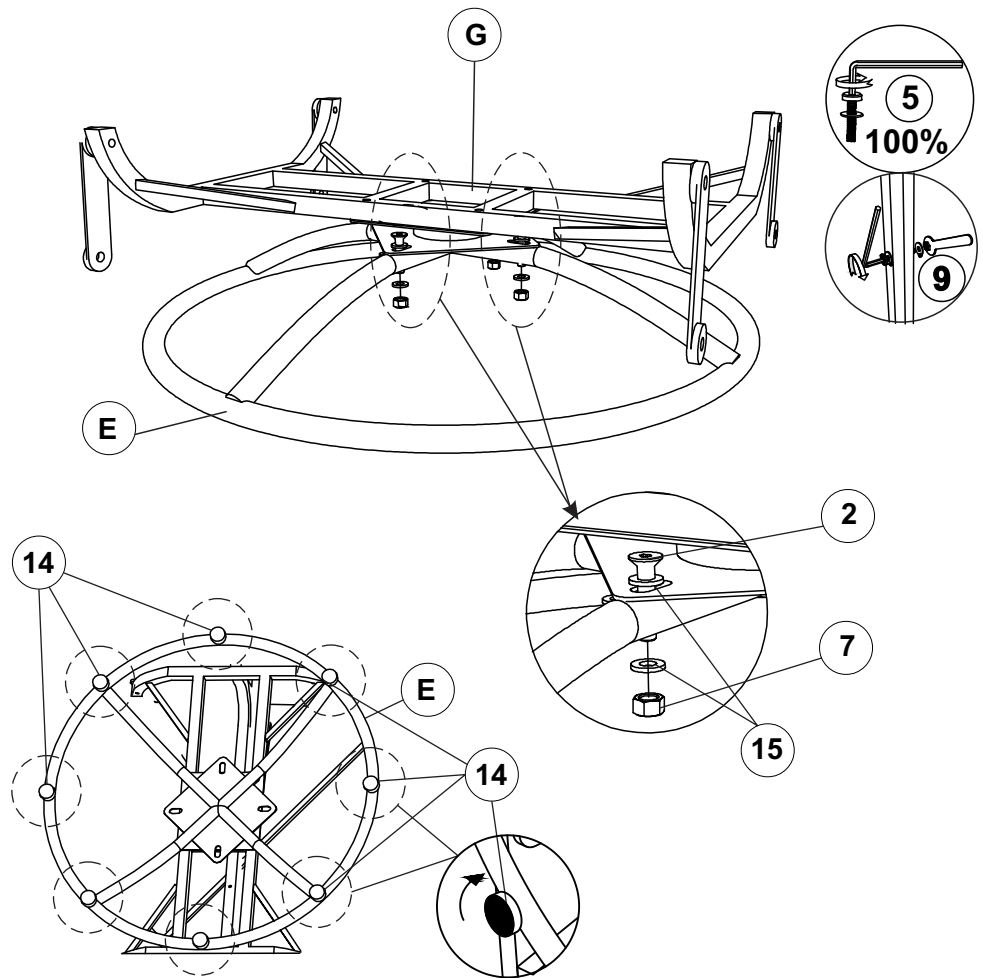
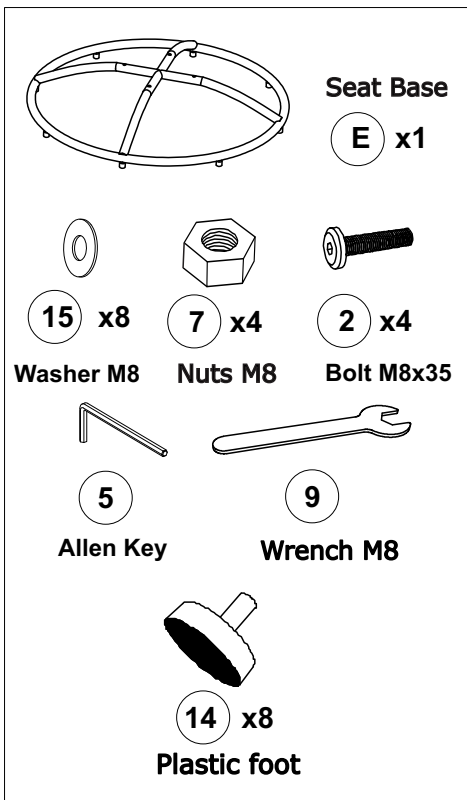
Connect All Bars Y-Shape (13) onto Rotating Frame (G) With Allen key (5) & Wrench (9).

STEP 8



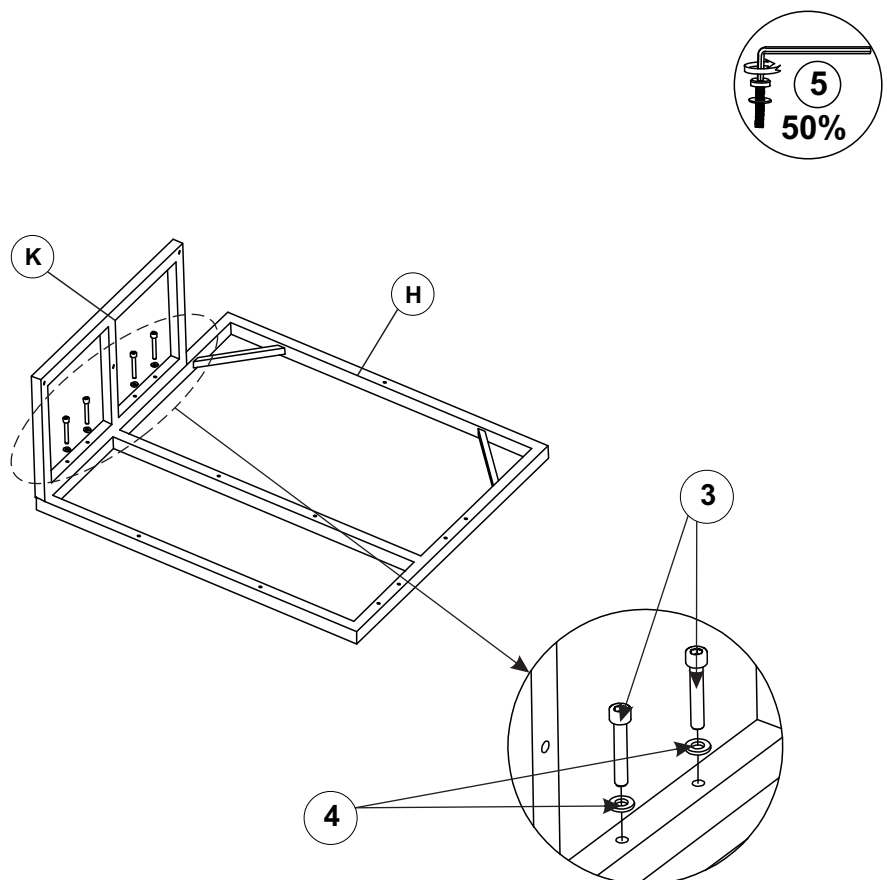
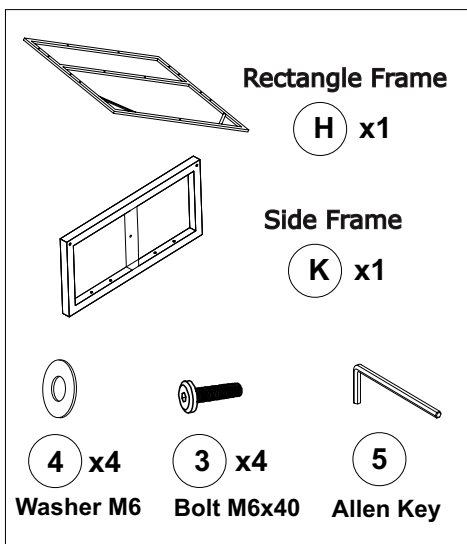
Connect Bars Square (14) & Rotating Frame (G) With Allen Key (5), Wrench (9).

STEP 9



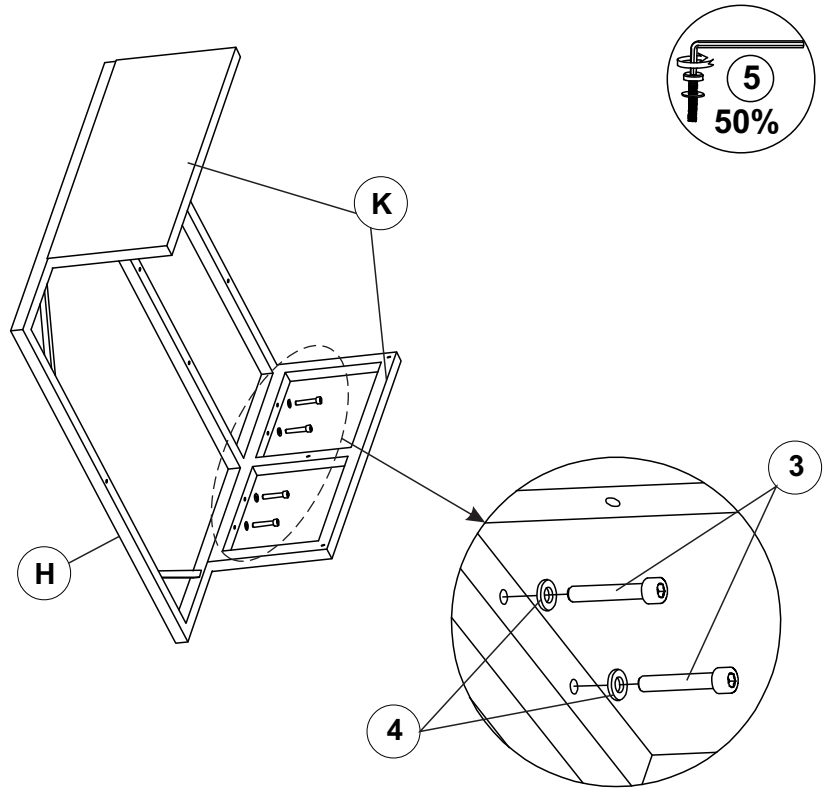
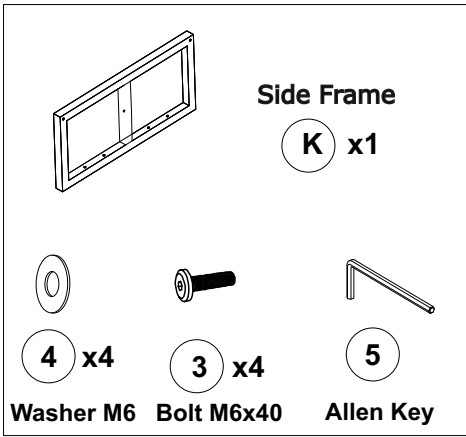
Connect Seat Base (E) & Rotating Frame (G) With Allen key (5) & Wrench (9).
 Connect Plastic foot (14) with Seat Base (E) by handle.

STEP 10



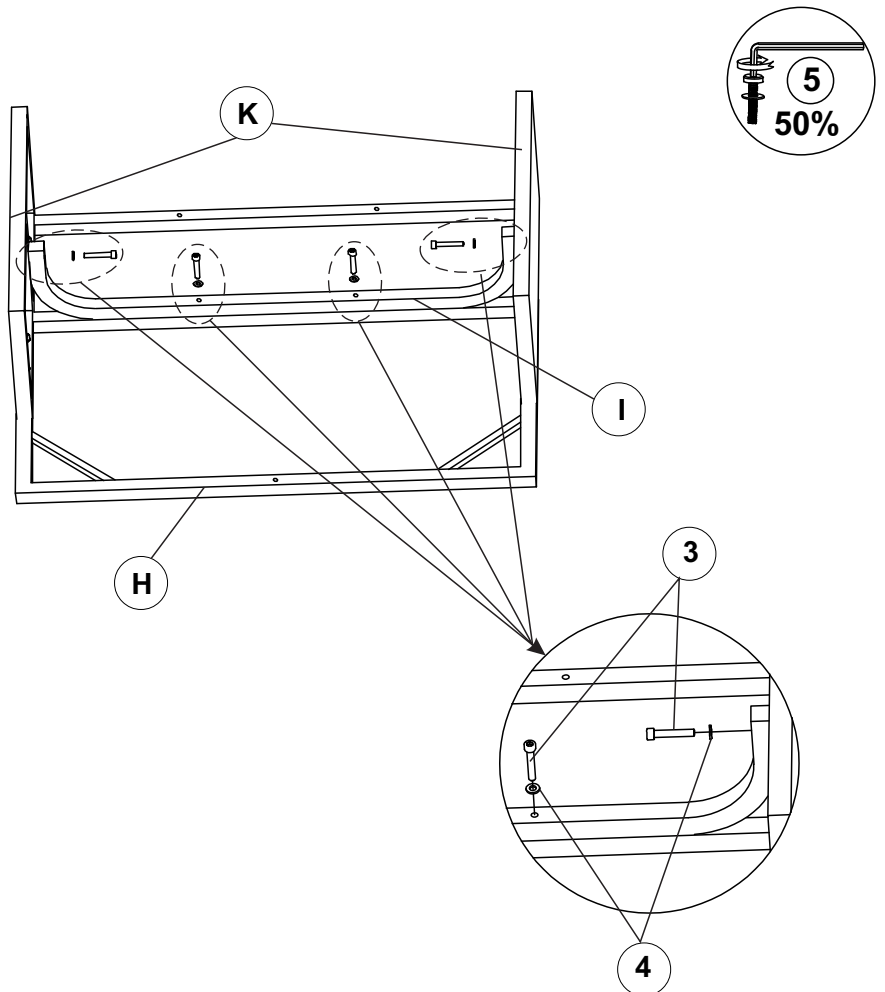
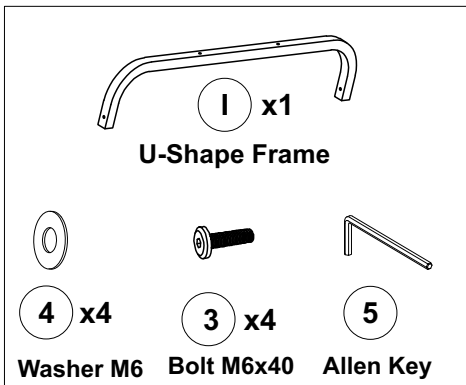
Connect Rectangle Frame (H) & Side Frame (K) With Allen Key (5).

STEP 11






Connect Rectangle Frame (H) & Side Frame (K) With Allen Key (5).

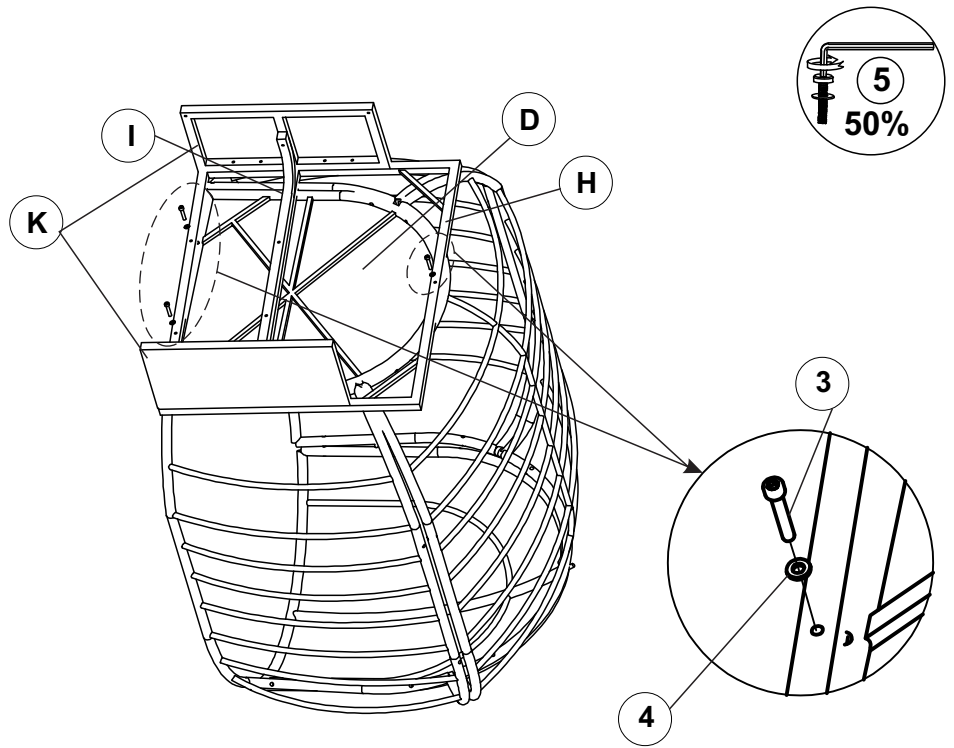
STEP 12



Connect U-Shape Frame (I) & Side Frame (K), Rectangle Frame (H) With Allen Key (5).





STEP 13

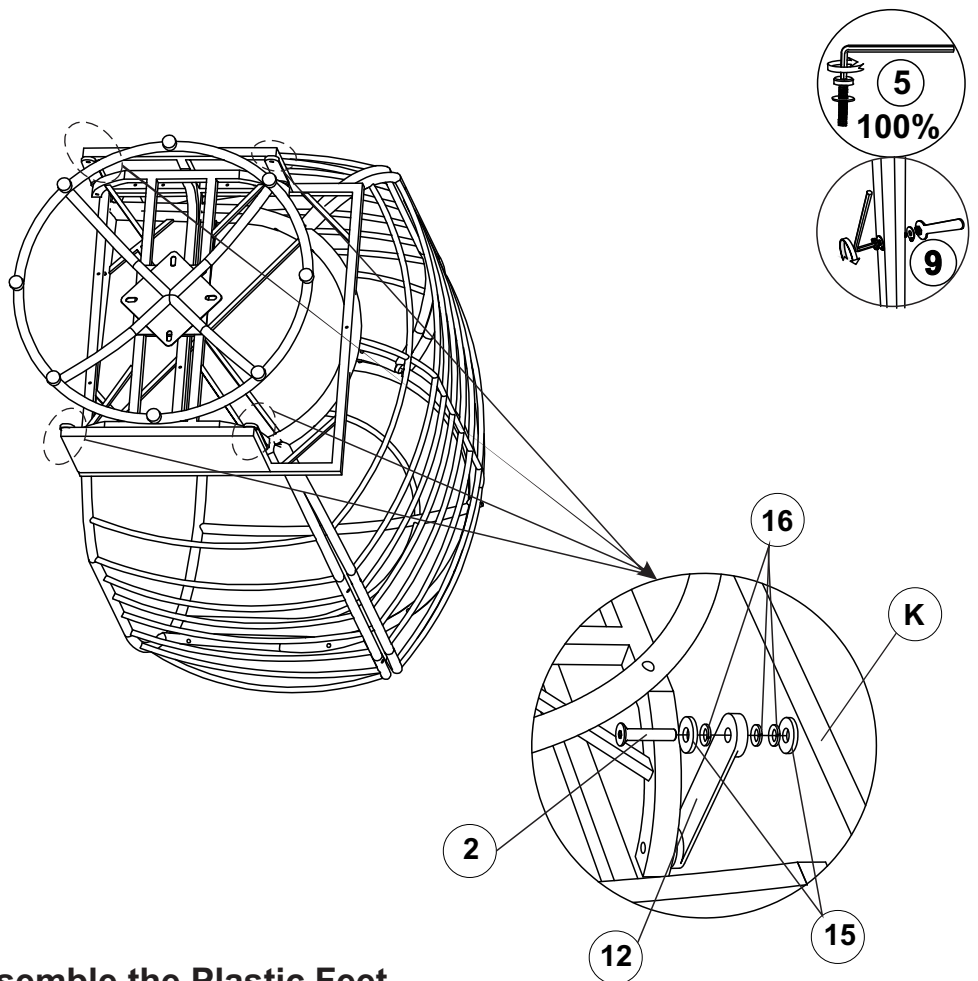
		
4 x4	3 x3	5
Washer M6	Bolt M6x40	Allen Key



Connect Frame Of Step 12 & Frame Of Step 6 With Allen Key (5).

STEP 14

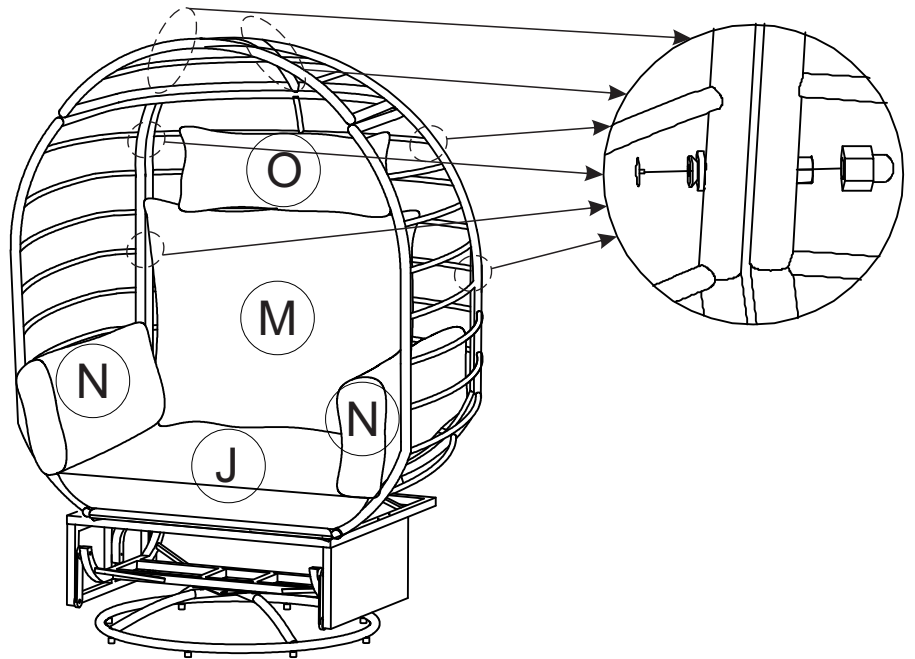
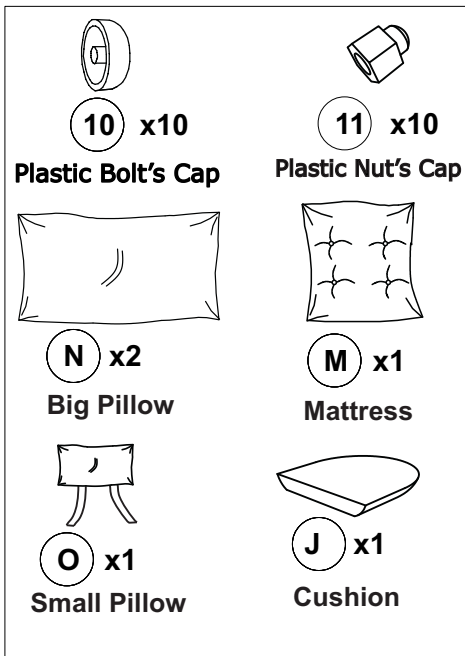
		
15 x8	5	2 x4
Washer M8	Allen Key	Bolt M8x35
		
16 x12		
Spring Washer		



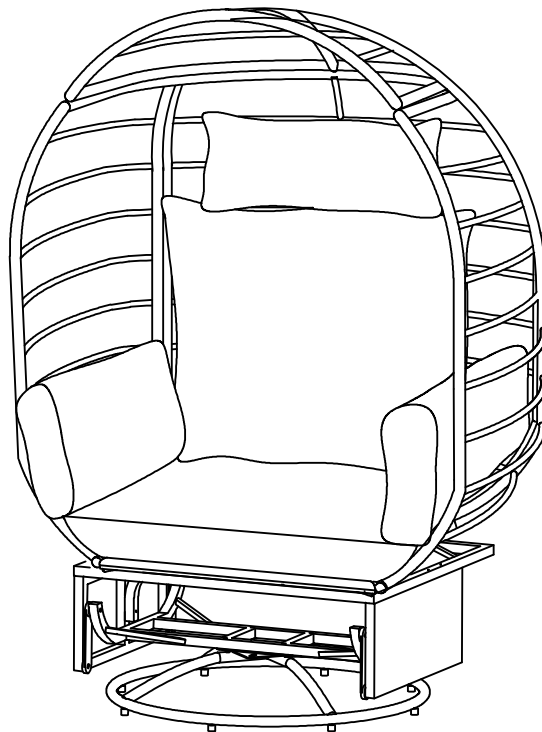
Assemble the Plastic Feet

Connect Frame Of Step 13 & Frame Of Step 9 With Allen Key (5)

STEP 15



Attach the bolt cover with Plastic Nuts(11) & Plastic Bolt's Cap (10)
Put Big Pillow (N), Mattress (M), Small Pillow (O) , Cushion (J) on Chair



FINISH