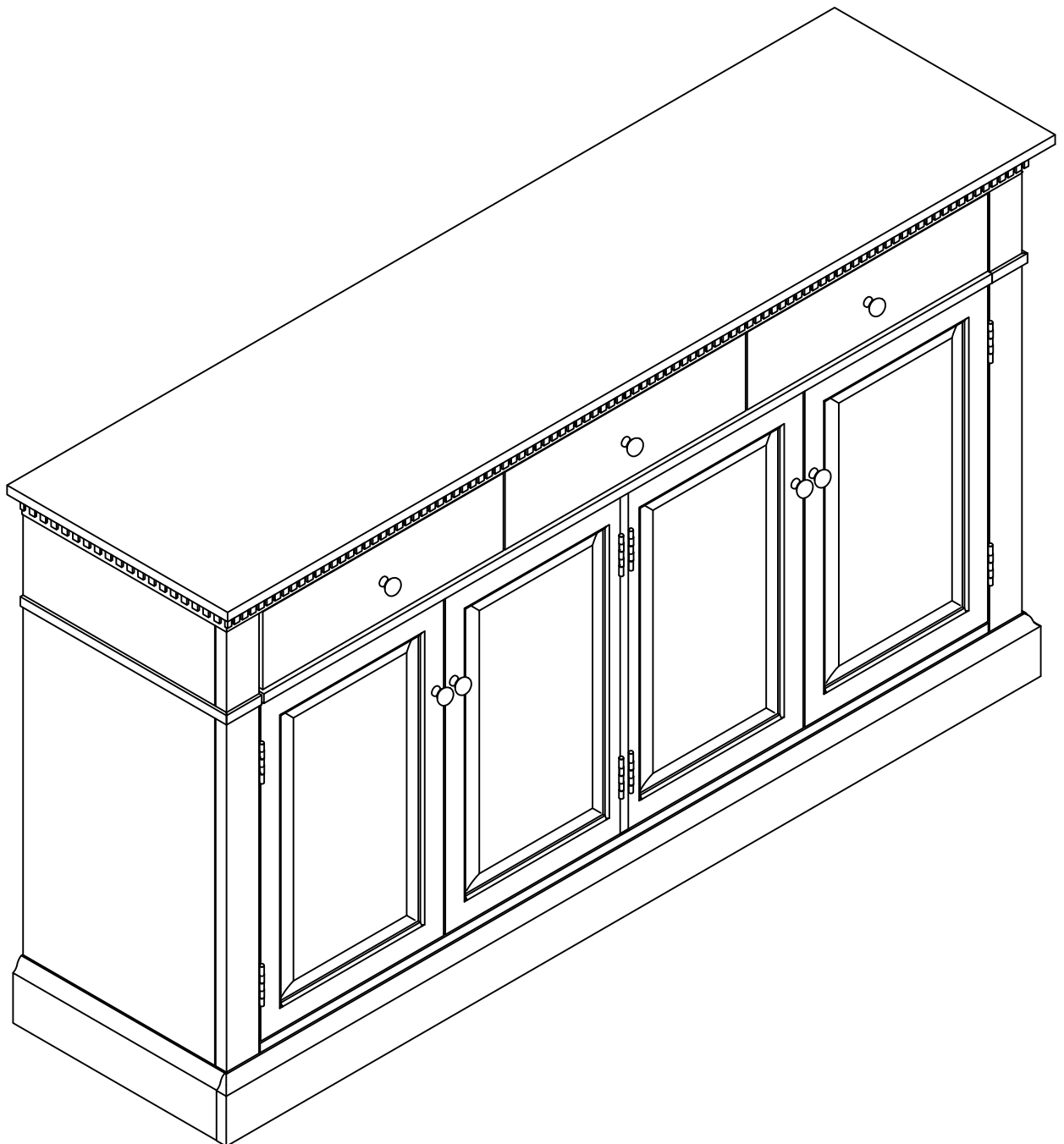
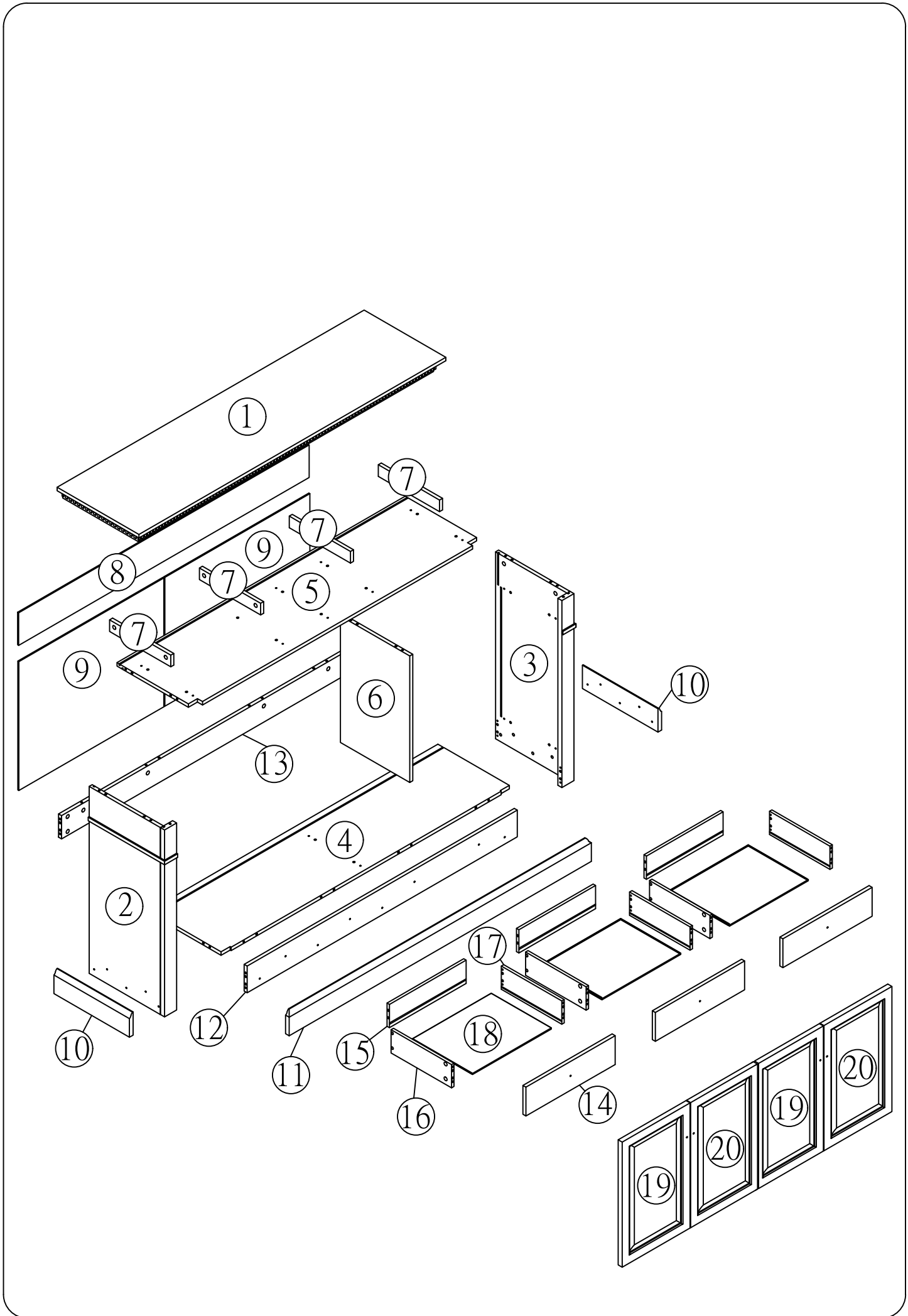


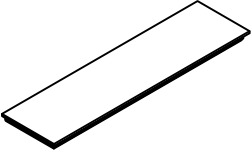
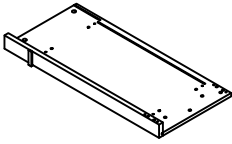
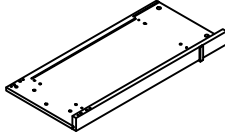
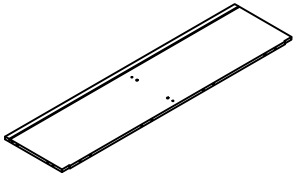
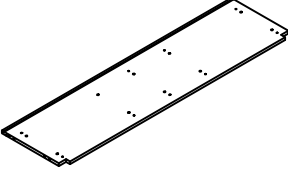
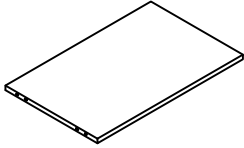
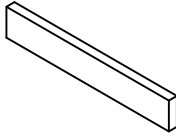
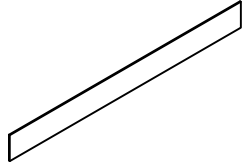
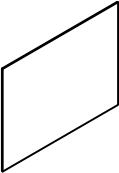
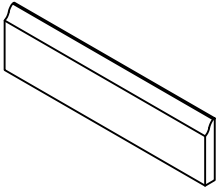
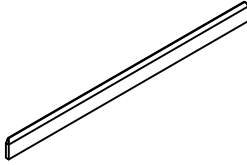
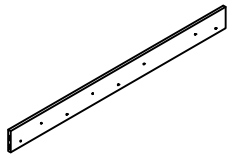
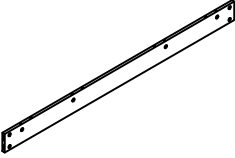
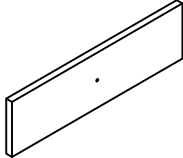
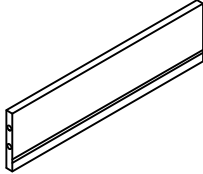
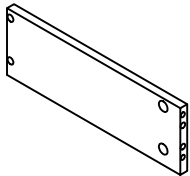
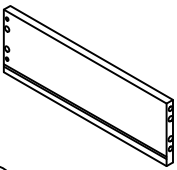
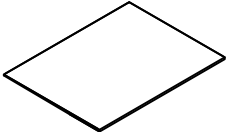
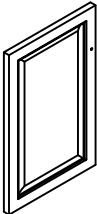
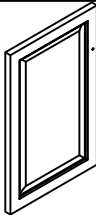
# ASSEMBLY INSTRUCTION

WF316473/316474

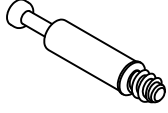






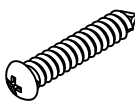
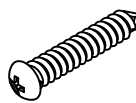

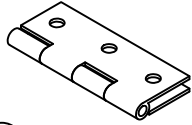
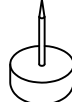
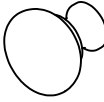

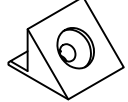

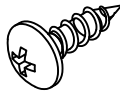
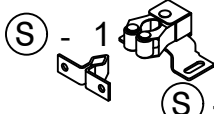
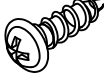


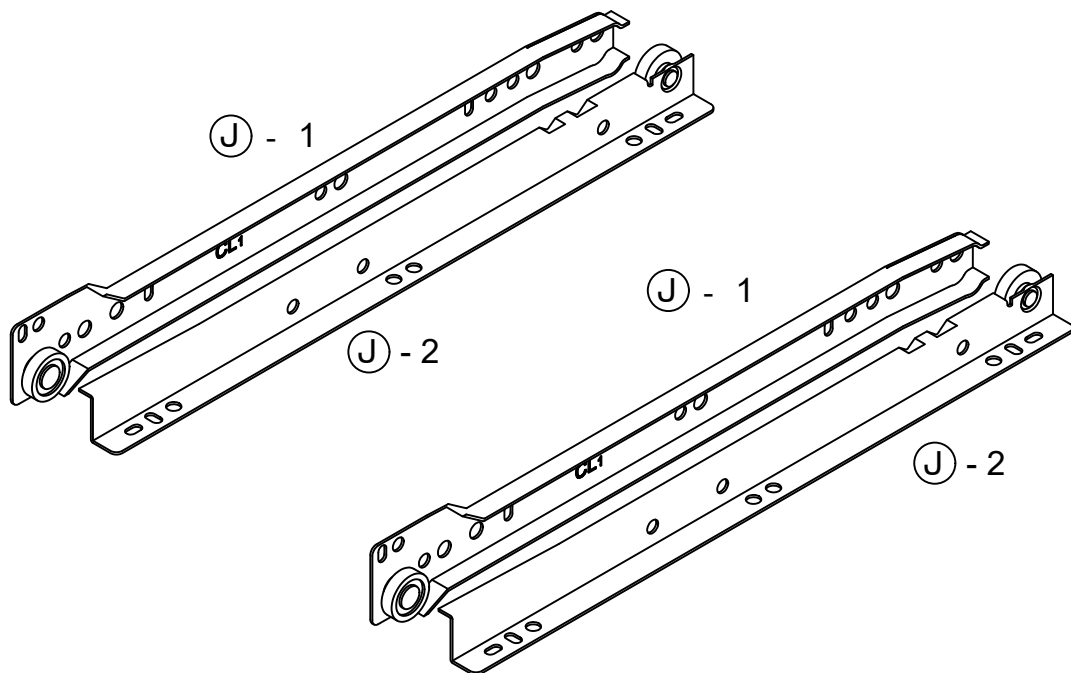


# Part List

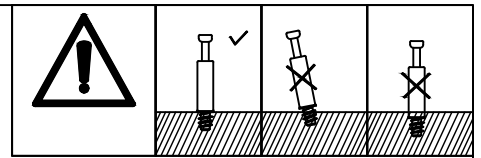
 ① x 1	 ② x 1	 ③ x 1	 ④ x 1
 ⑤ x 1	 ⑥ x 1	 ⑦ x 4	 ⑧ x 1
 ⑨ x 2	 ⑩ x 2	 ⑪ x 1	 ⑫ x 1
 ⑬ x 1	 ⑭ x 3	 ⑮ x 3	 ⑯ x 3
 ⑰ x 3	 ⑱ x 3	 ⑲ x 2	 ⑳ x 2

# Hardware List

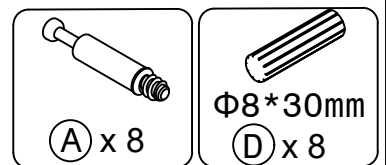
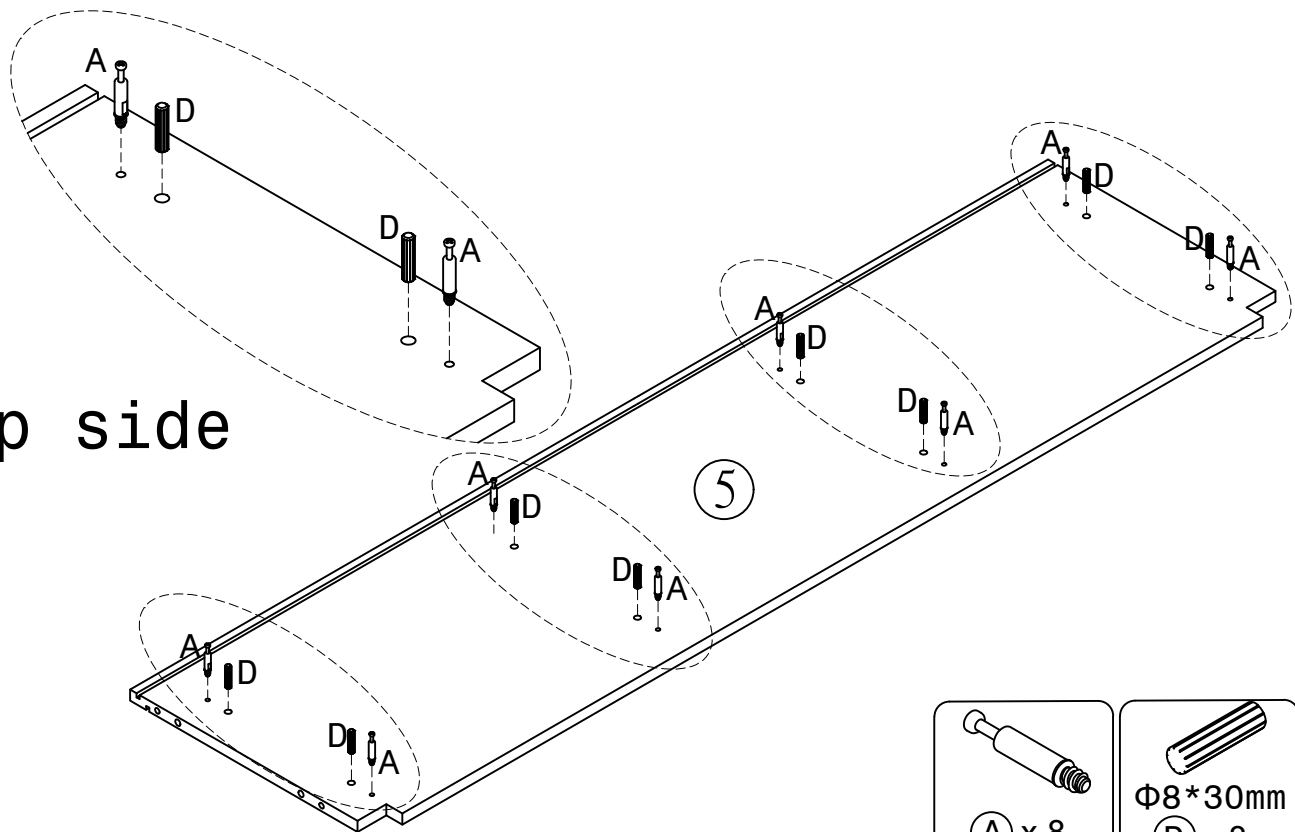
 (A) x 54	 Ø15*10mm (B) x 42	 Ø15*7mm (C) x 12	 Φ8*30mm (D) x 40	 Φ6*30mm (E) x 24
 Φ3*15mm (F) x 36	 Φ3*15mm (G) x 48	 Φ8*30mm (H) x 12	 Φ8*25mm (I) x 23	 12" (J) x 3 set
 (K) x 8	 Ø12*6mm (L) x 4	 (M) x 7	 Φ5/32*20m (N) x 7	 (P) x 24
 Φ3*15mm (Q) x 24	 (R) x 3	 (S) - 1 (S) - 2 (S) x 4 Set	 (T) x 16	



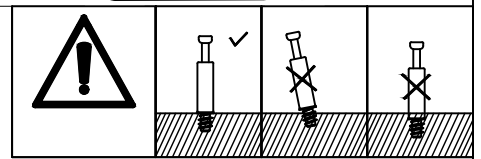
# Step 1



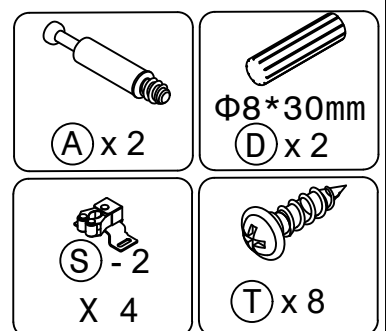
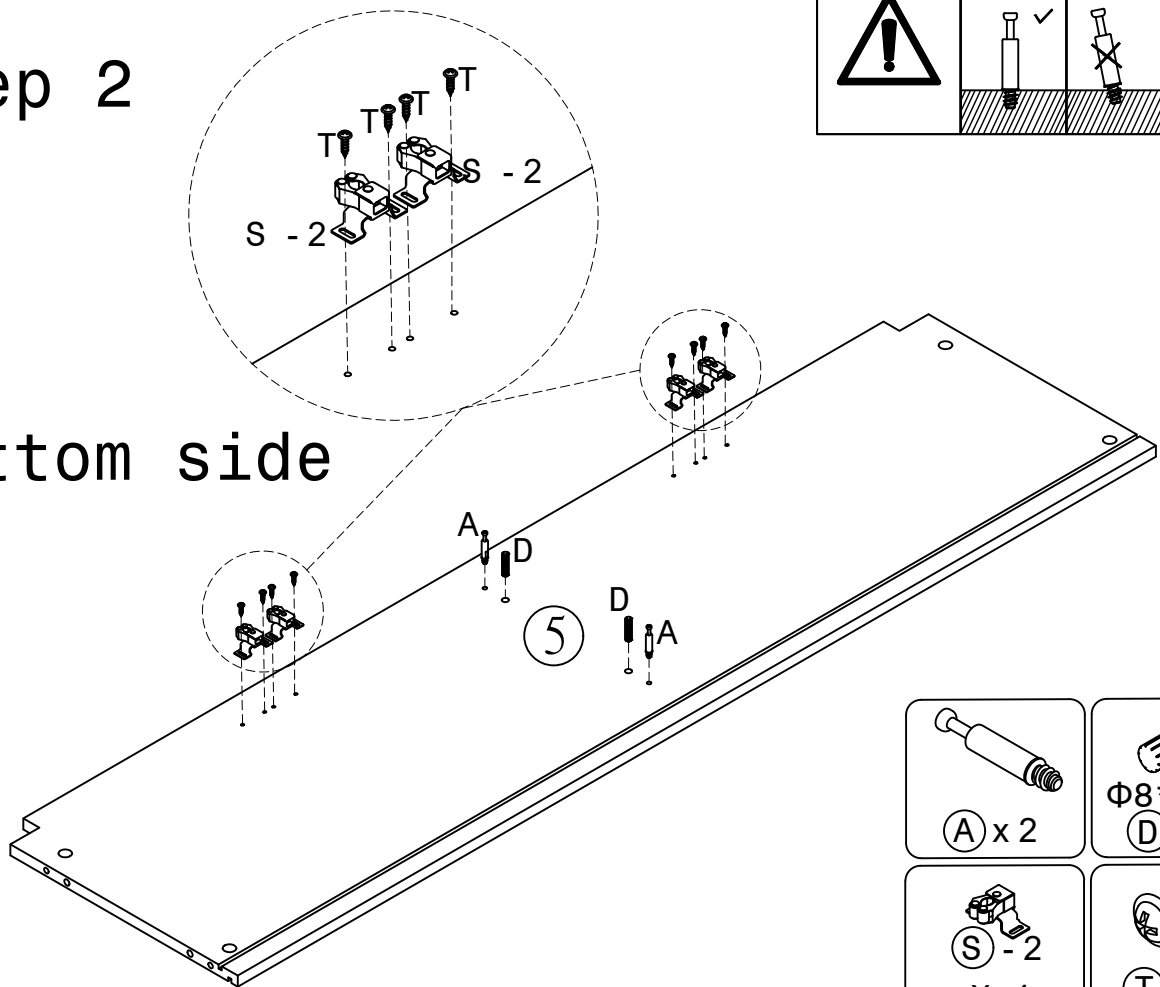
## Top side




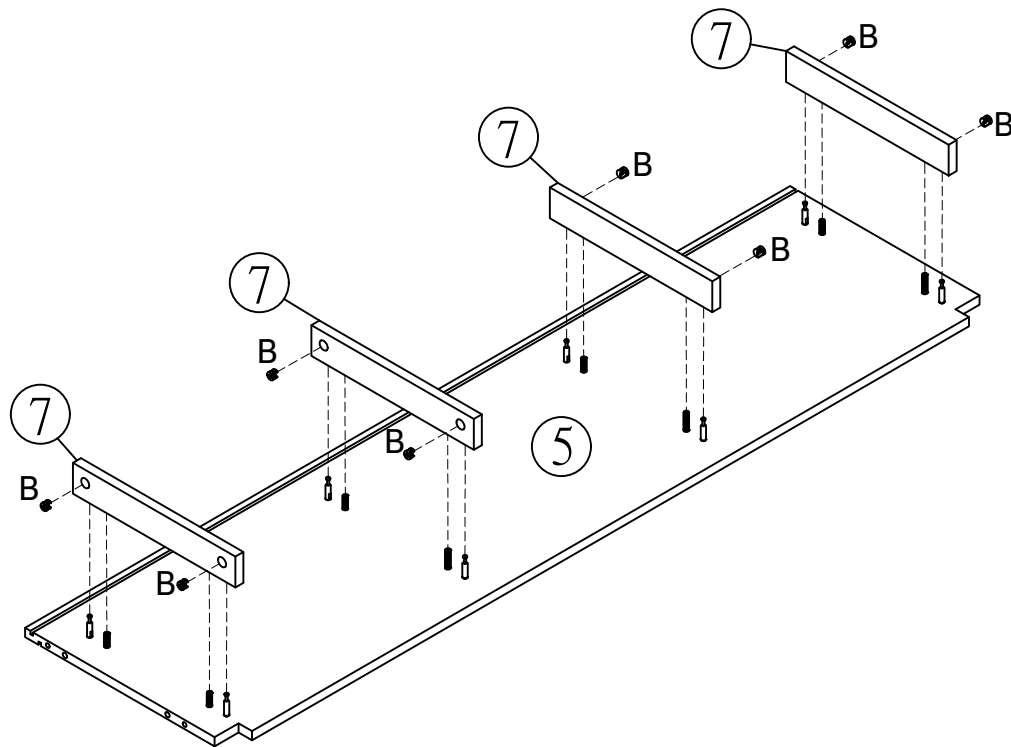
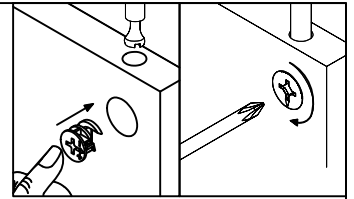
# Step 2



## Bottom side


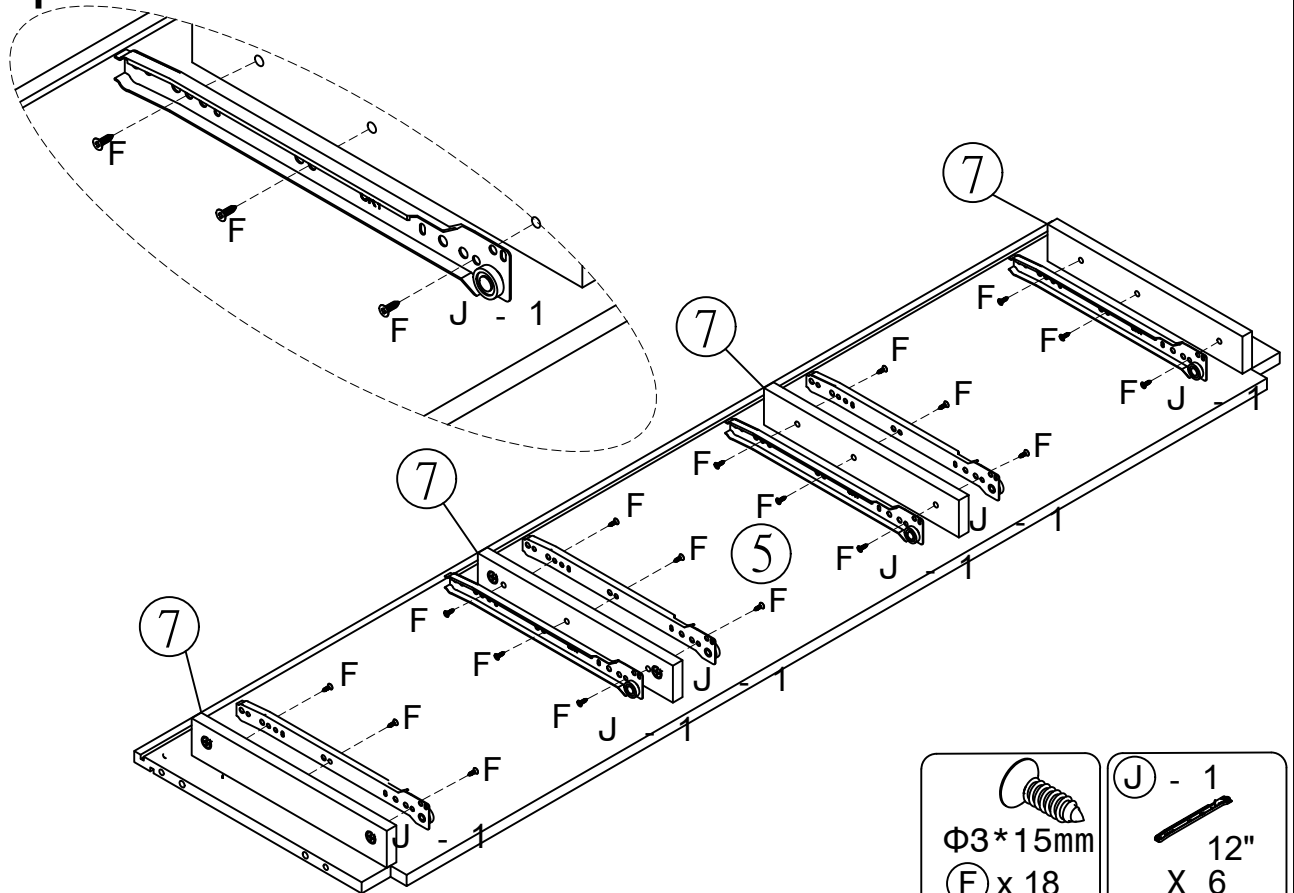


# Step 3




Ø15\*10mm  
B x 8

# Step 4

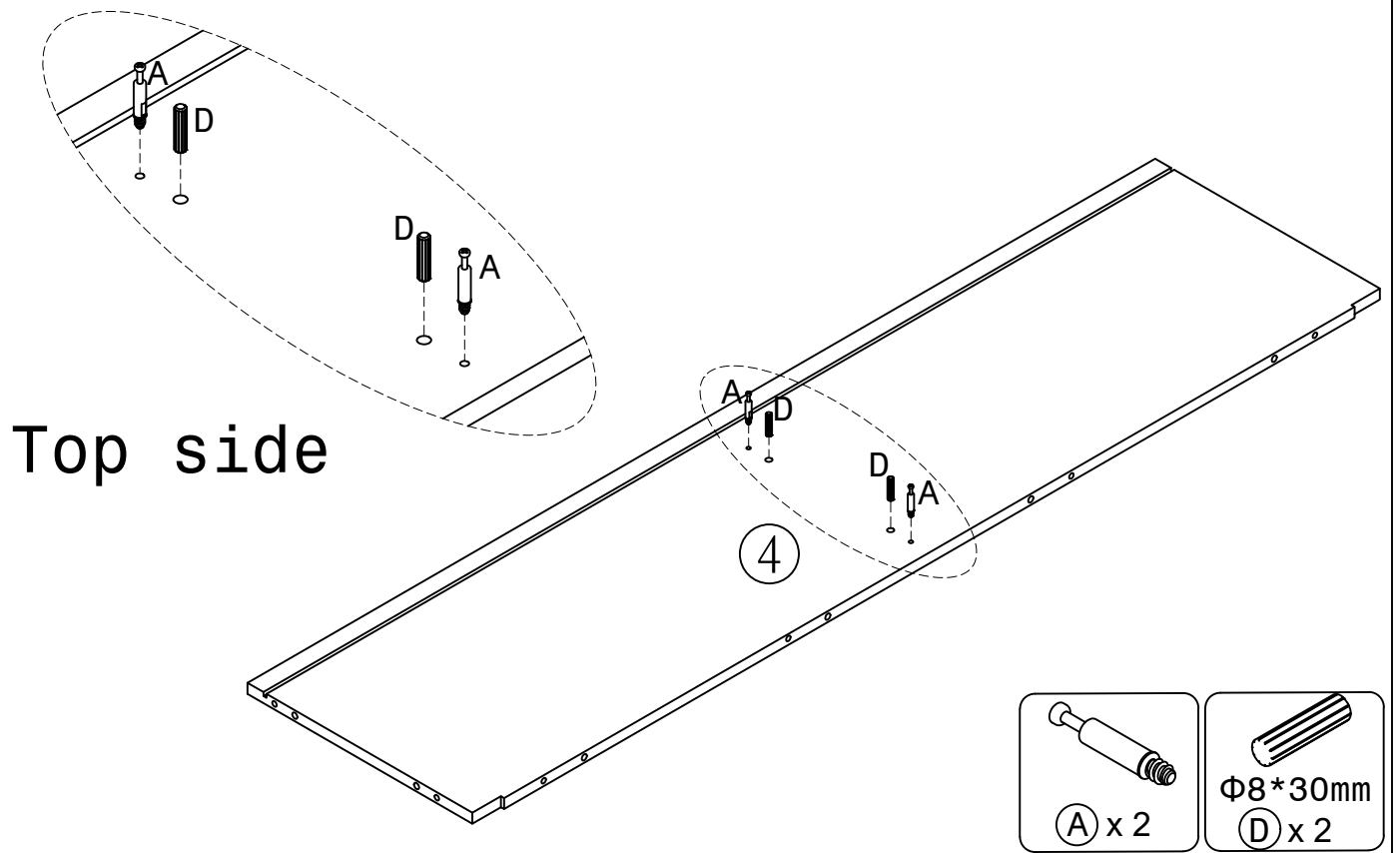
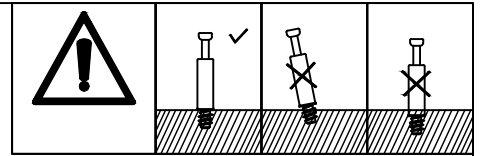


Φ3\*15mm  
F x 18

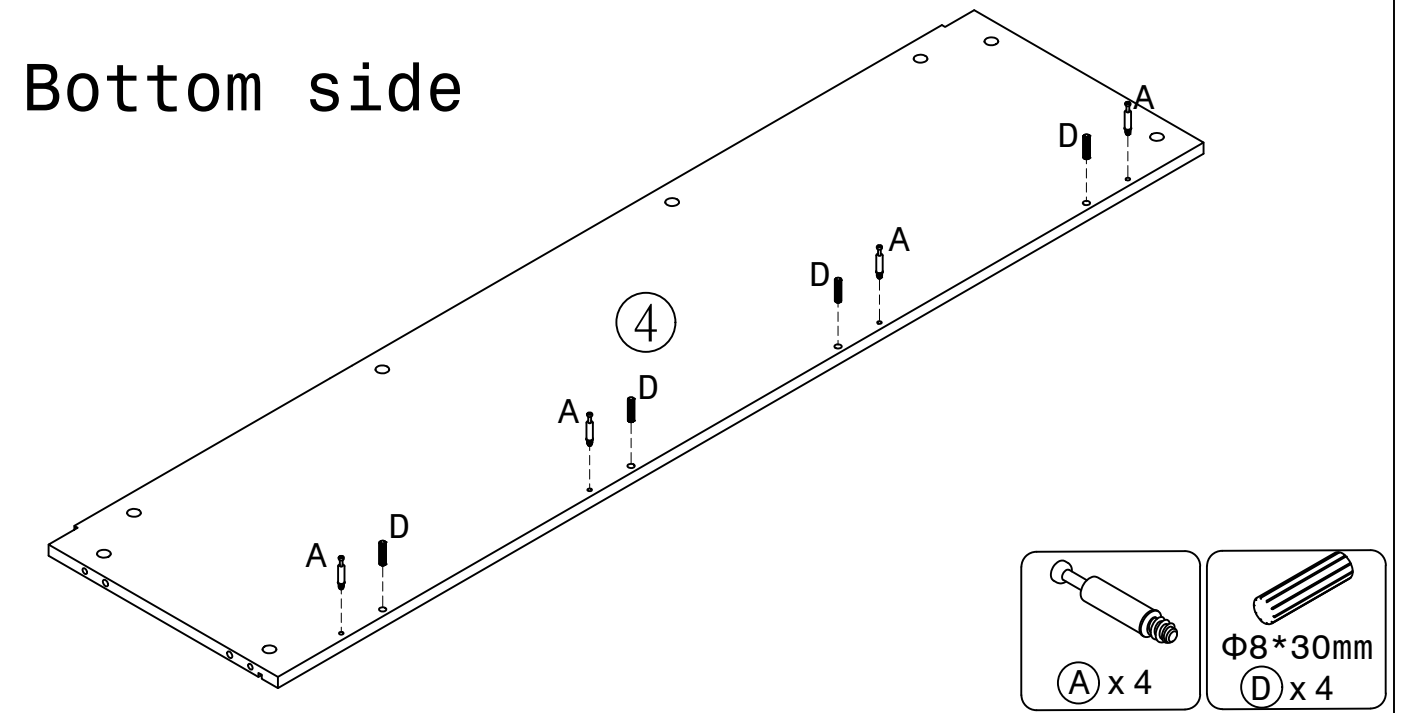
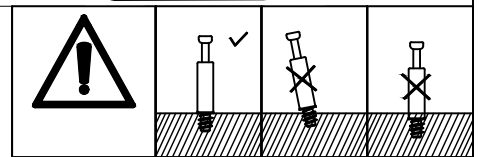


J - 1  
12"  
X 6

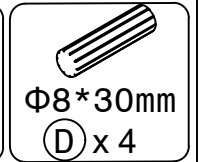
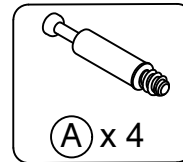
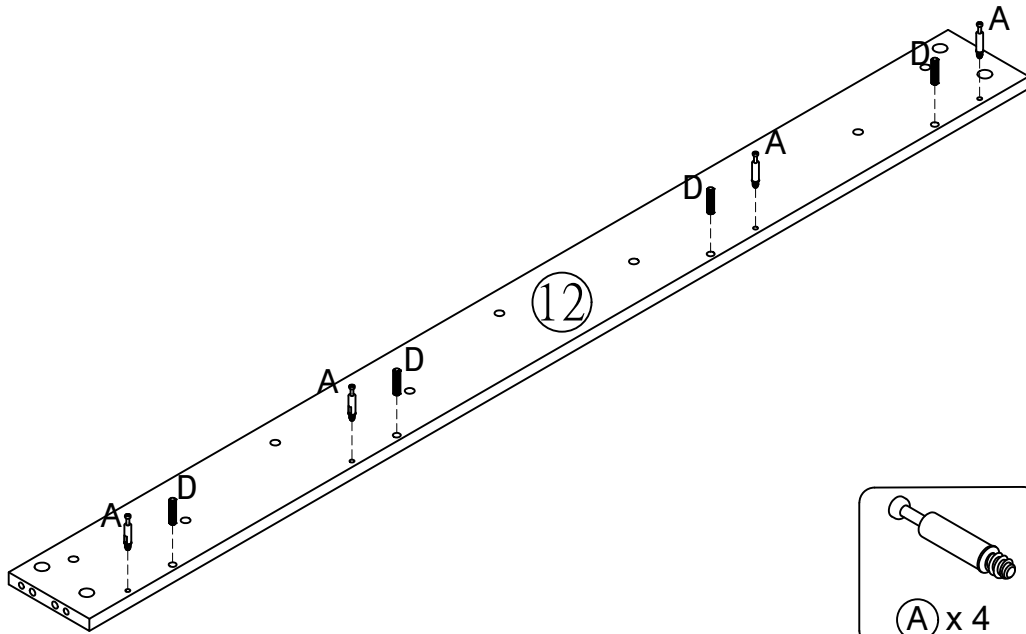
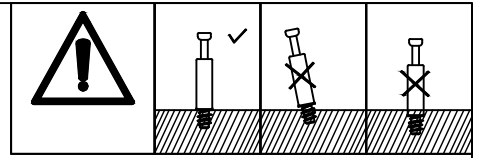
# Step 5



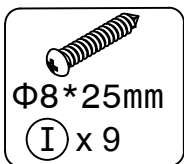
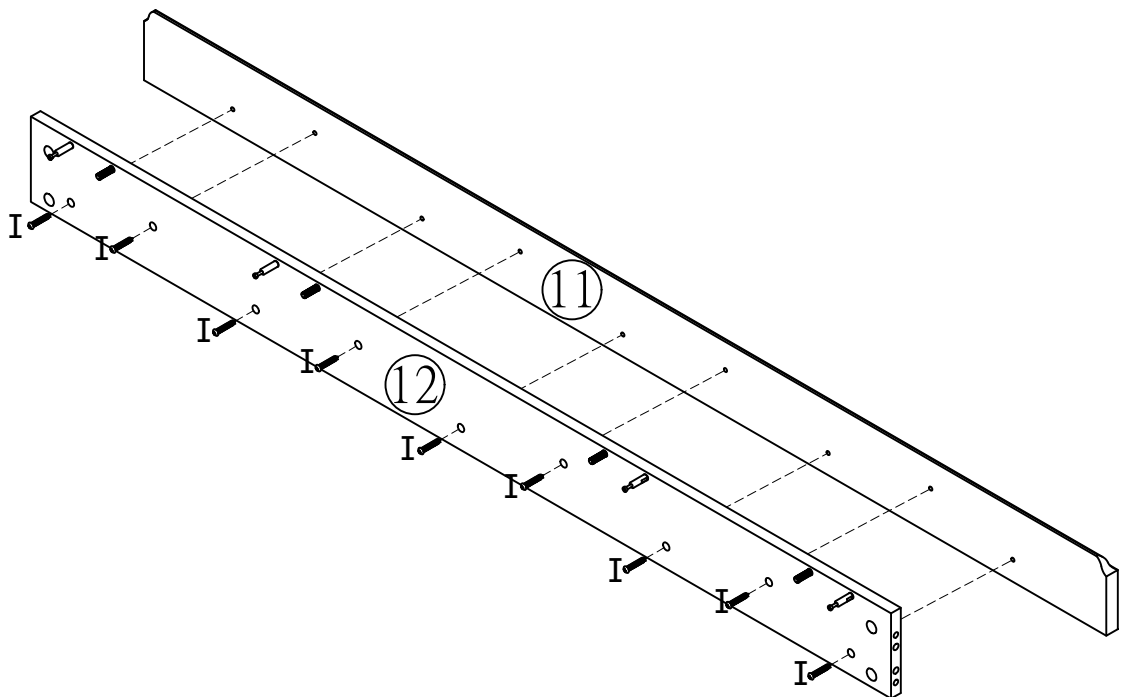
# Step 6



# Step 7

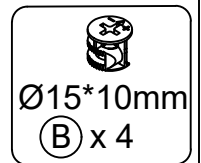
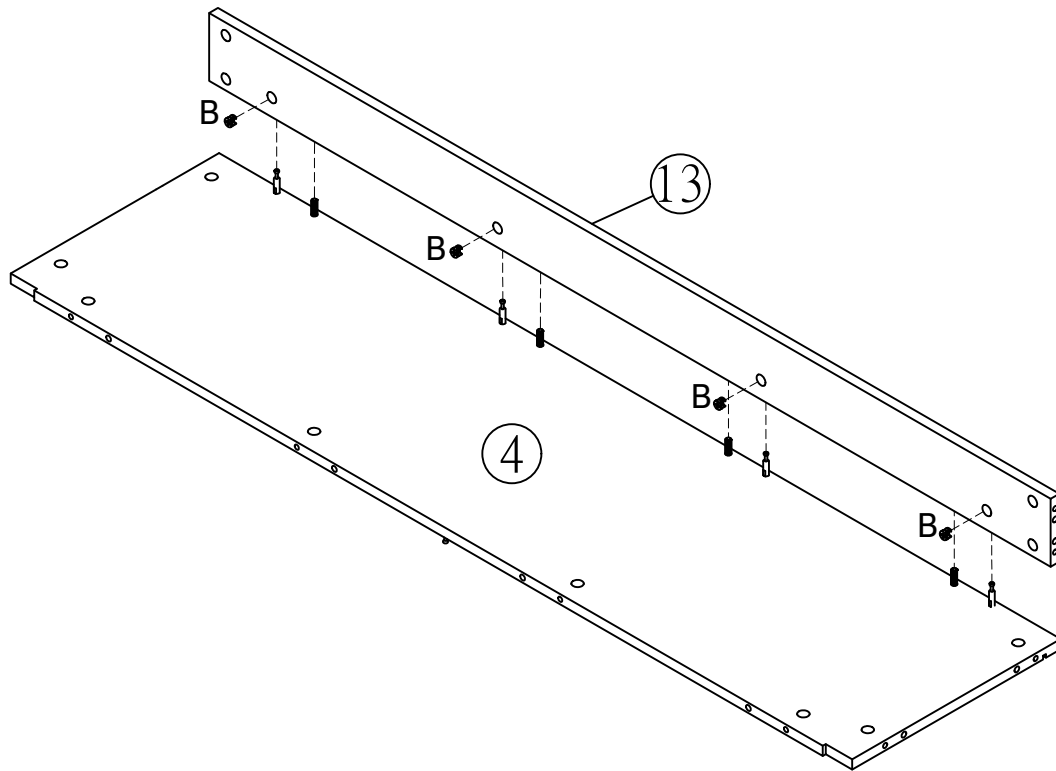
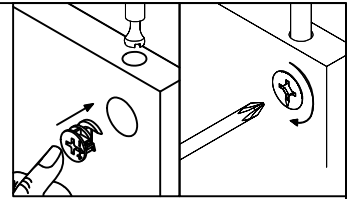


# Step 8

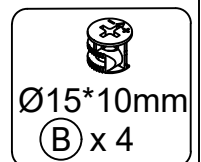
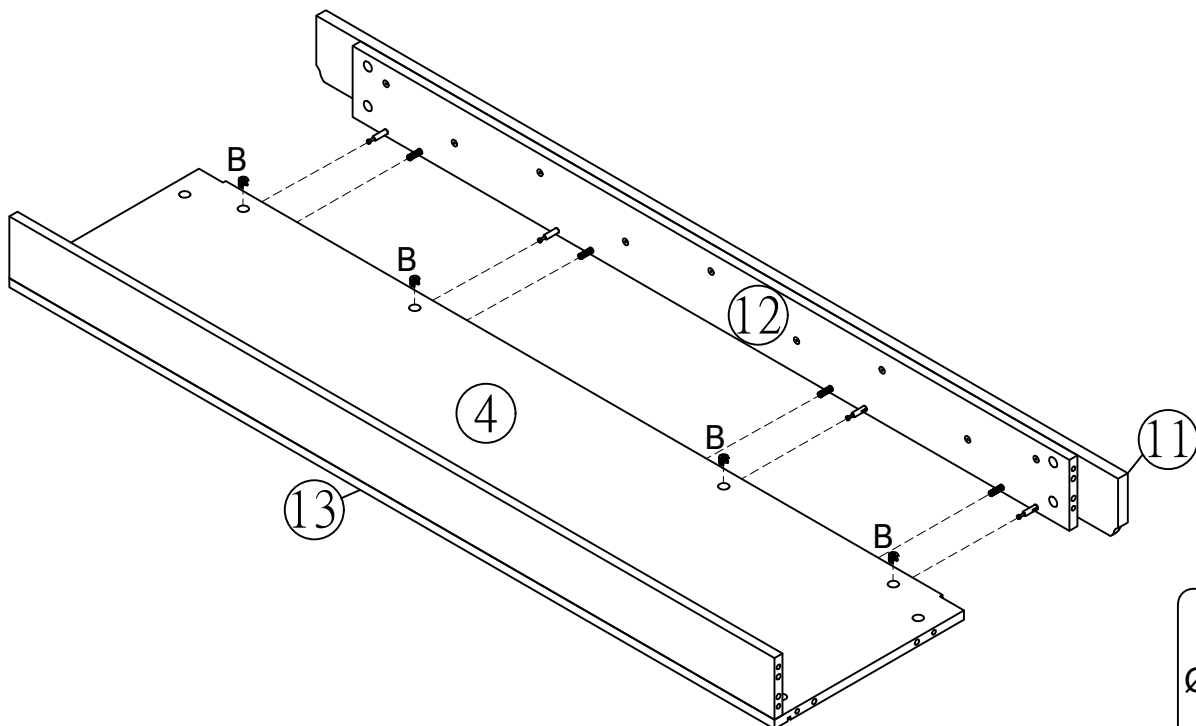
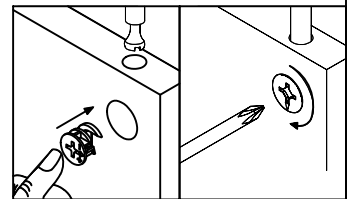




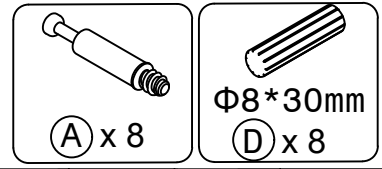
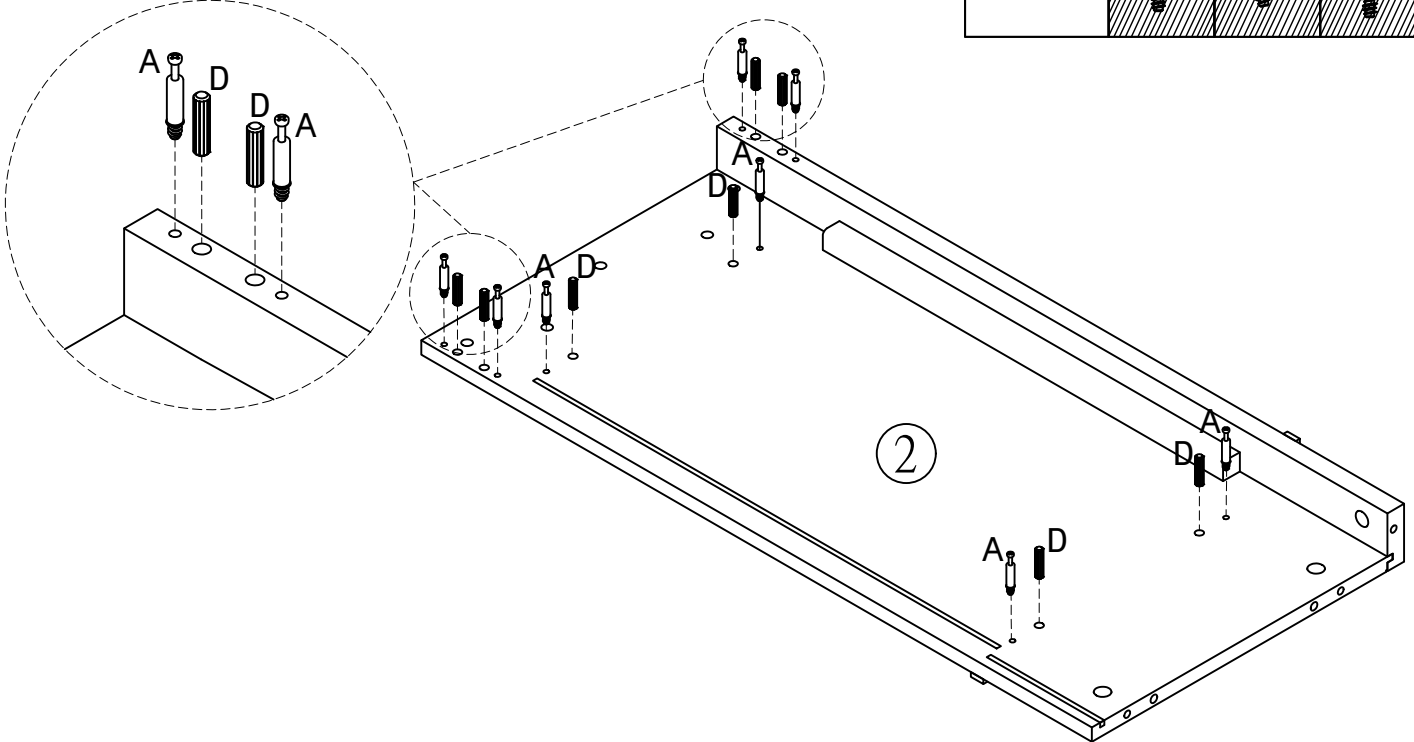
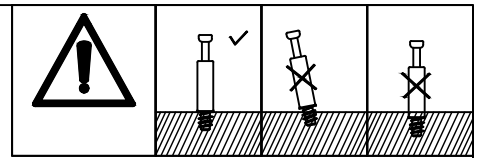
# Step 9



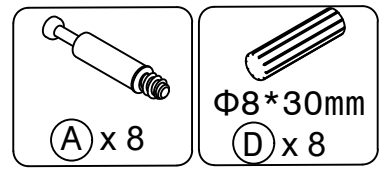
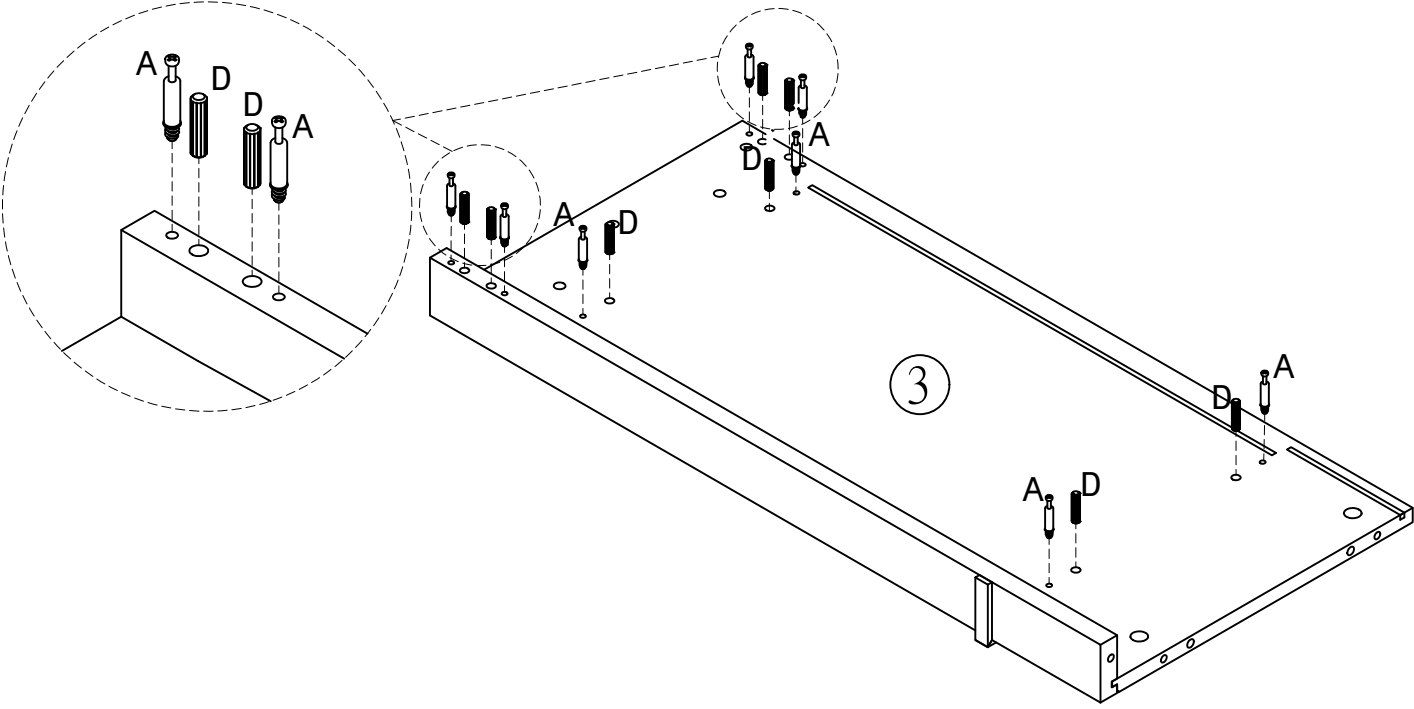
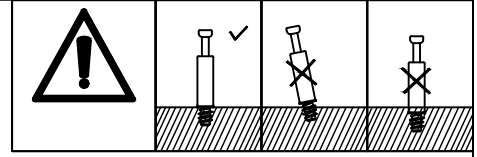
# Step 10



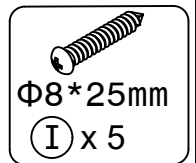
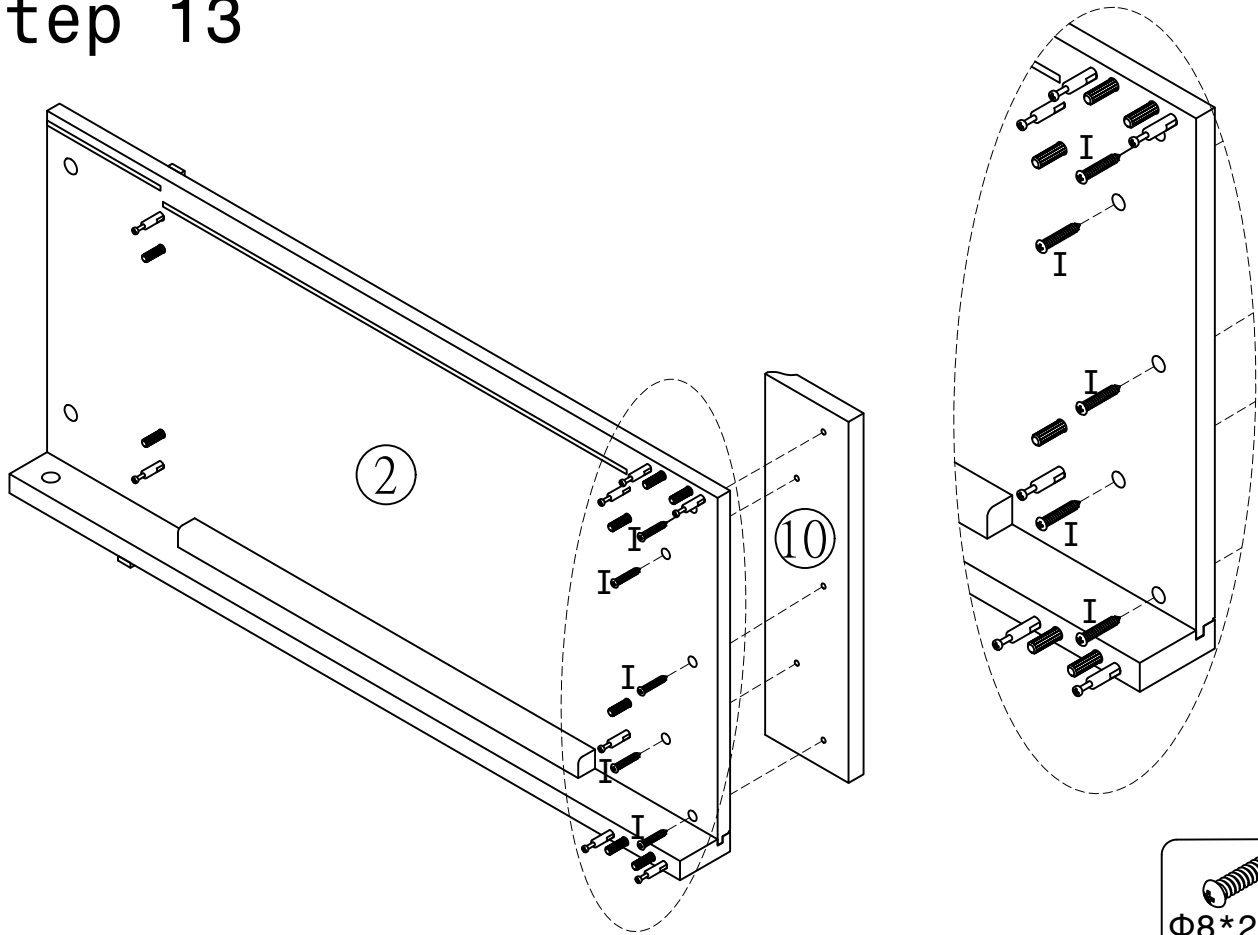
# Step 11



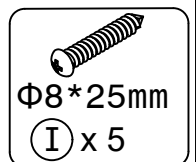
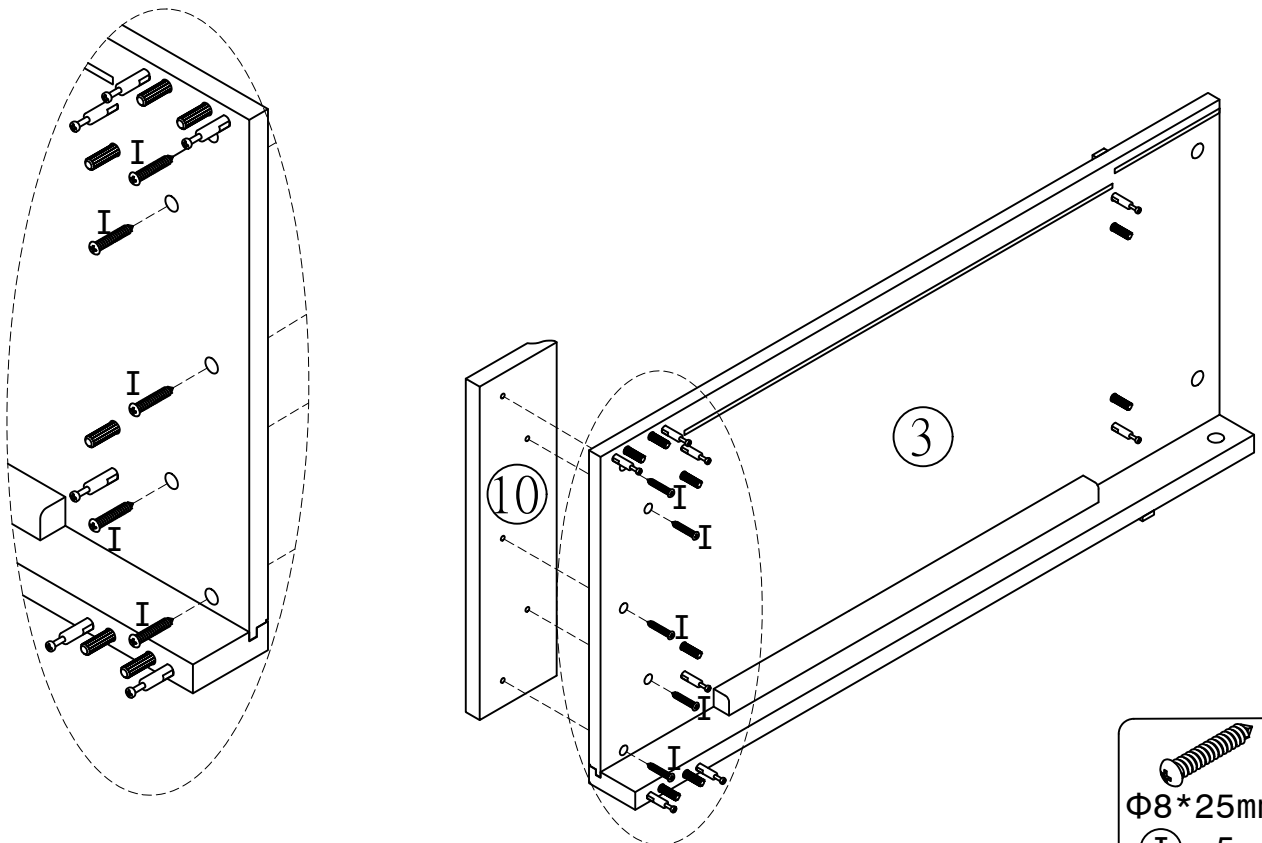
# Step 12



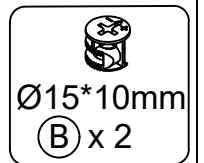
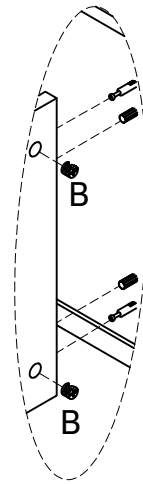
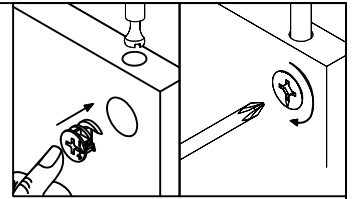
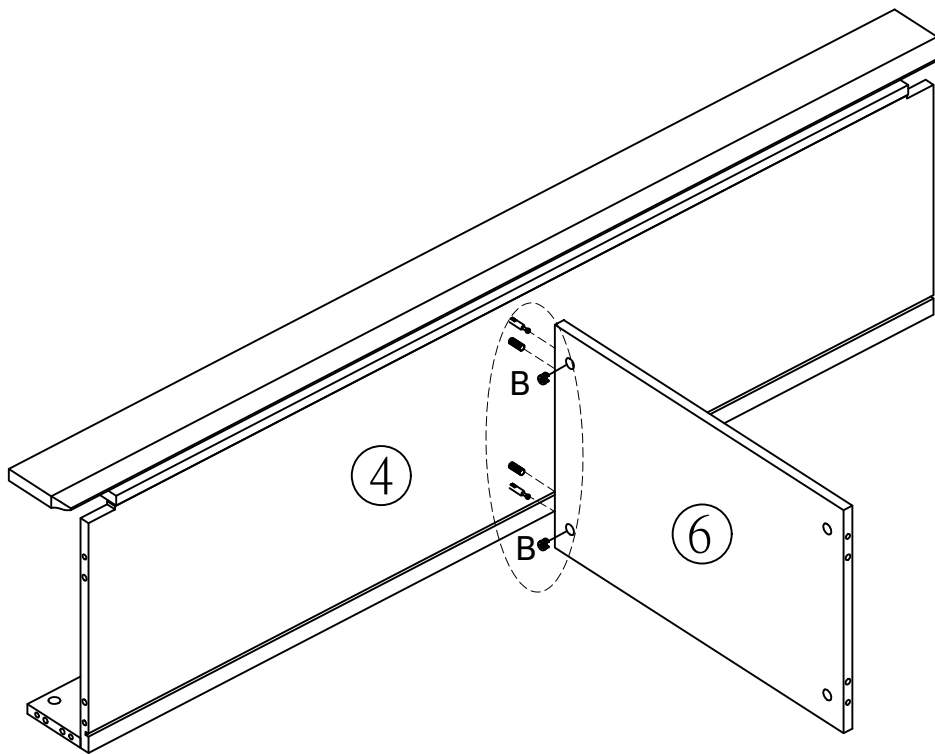
# Step 13



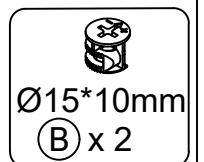
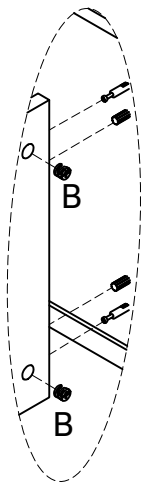
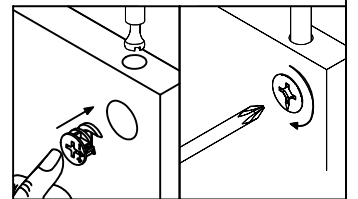
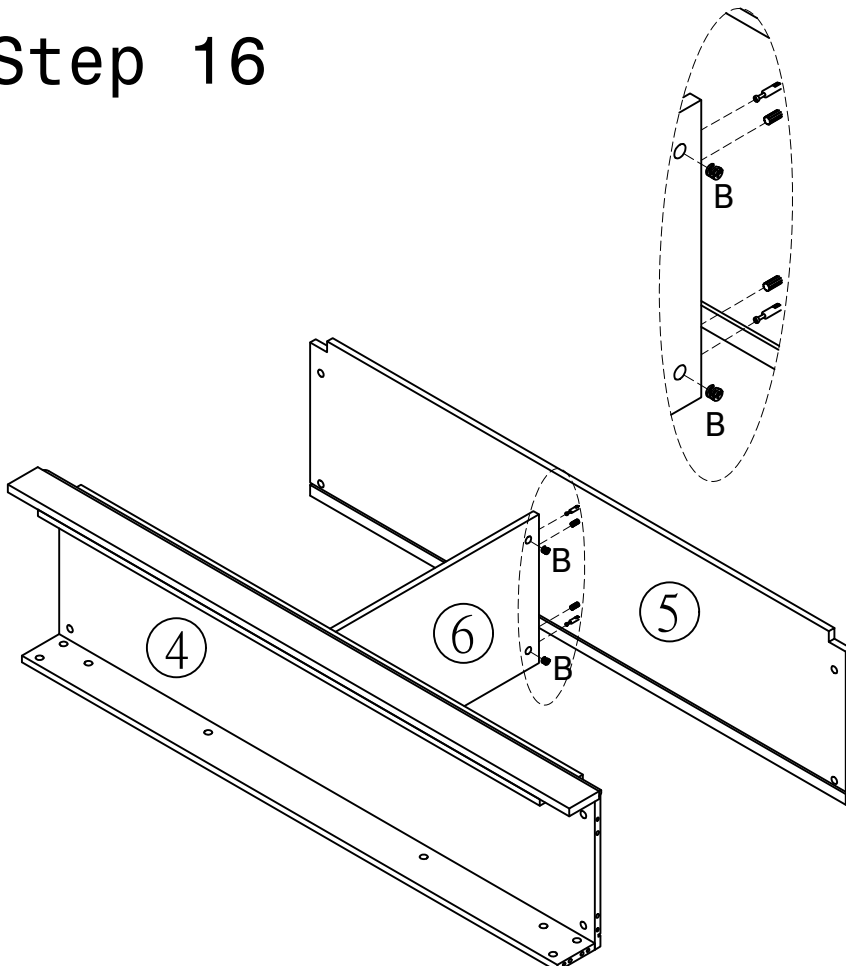
# Step 14



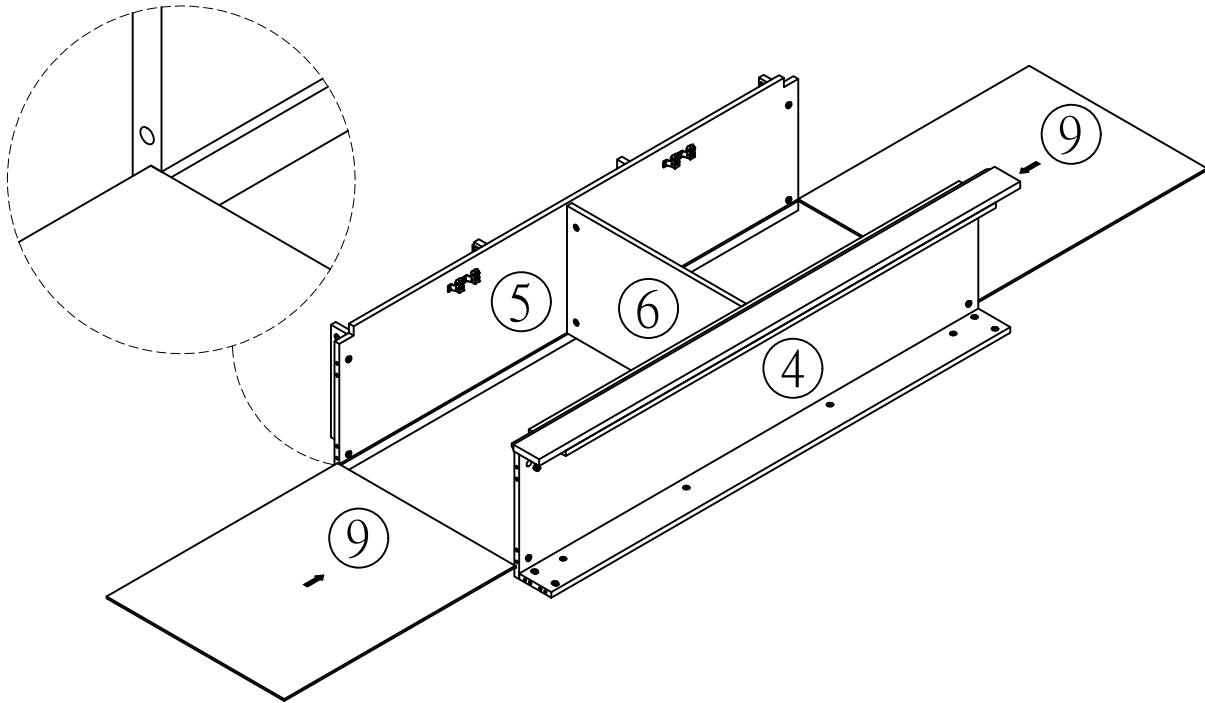
# Step 15



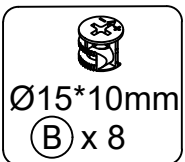
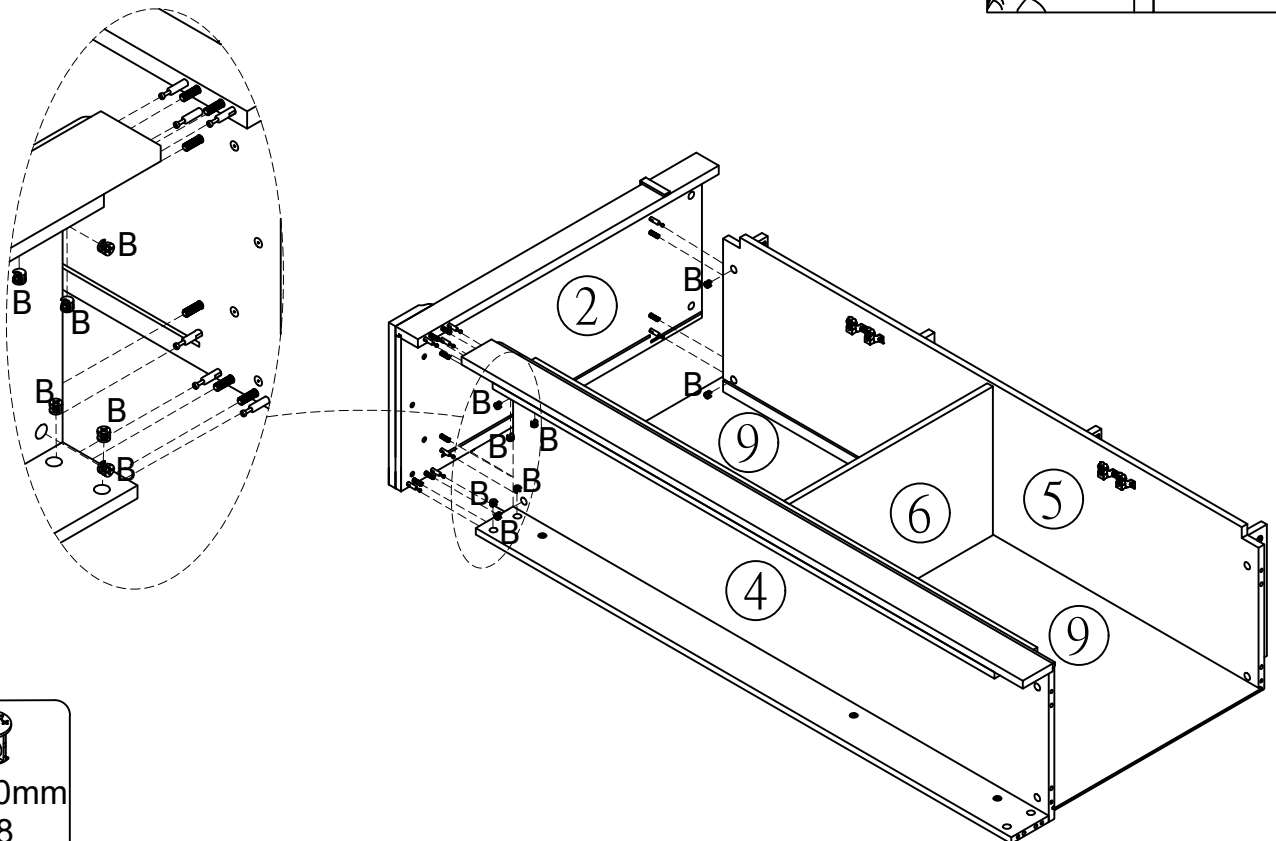
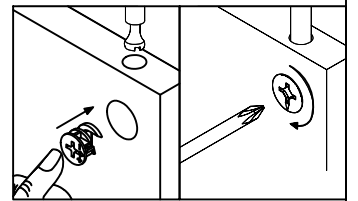
# Step 16



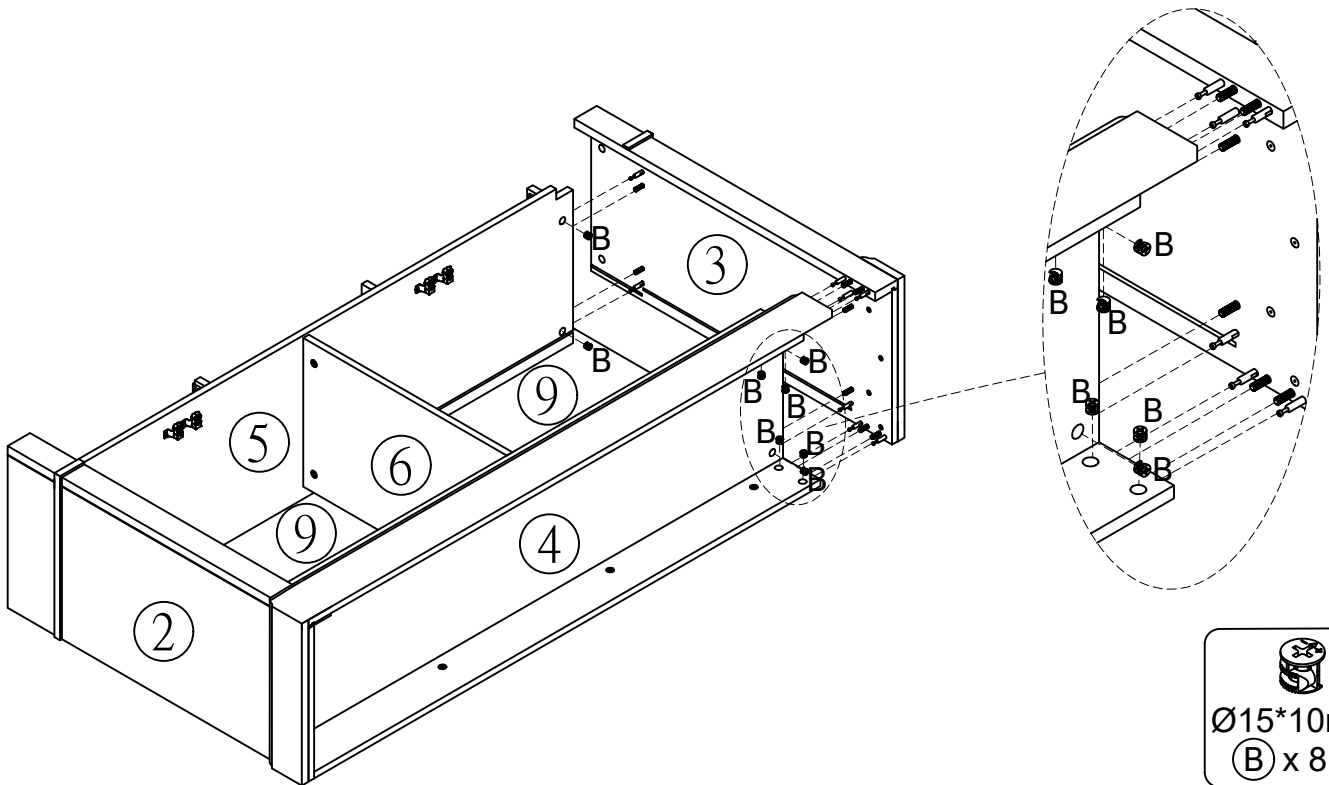
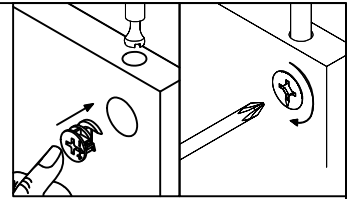
# Step 17



# Step 18

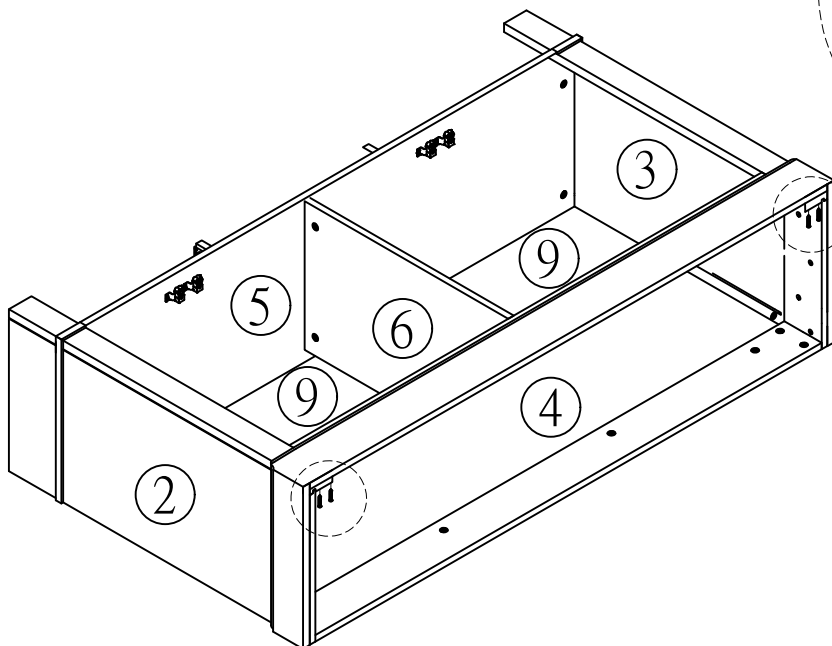
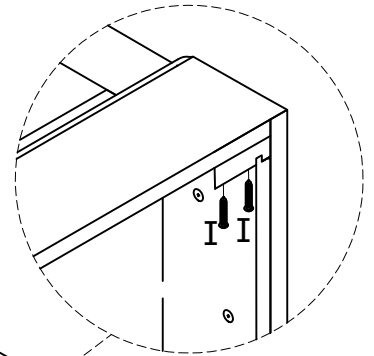


# Step 19



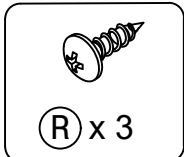
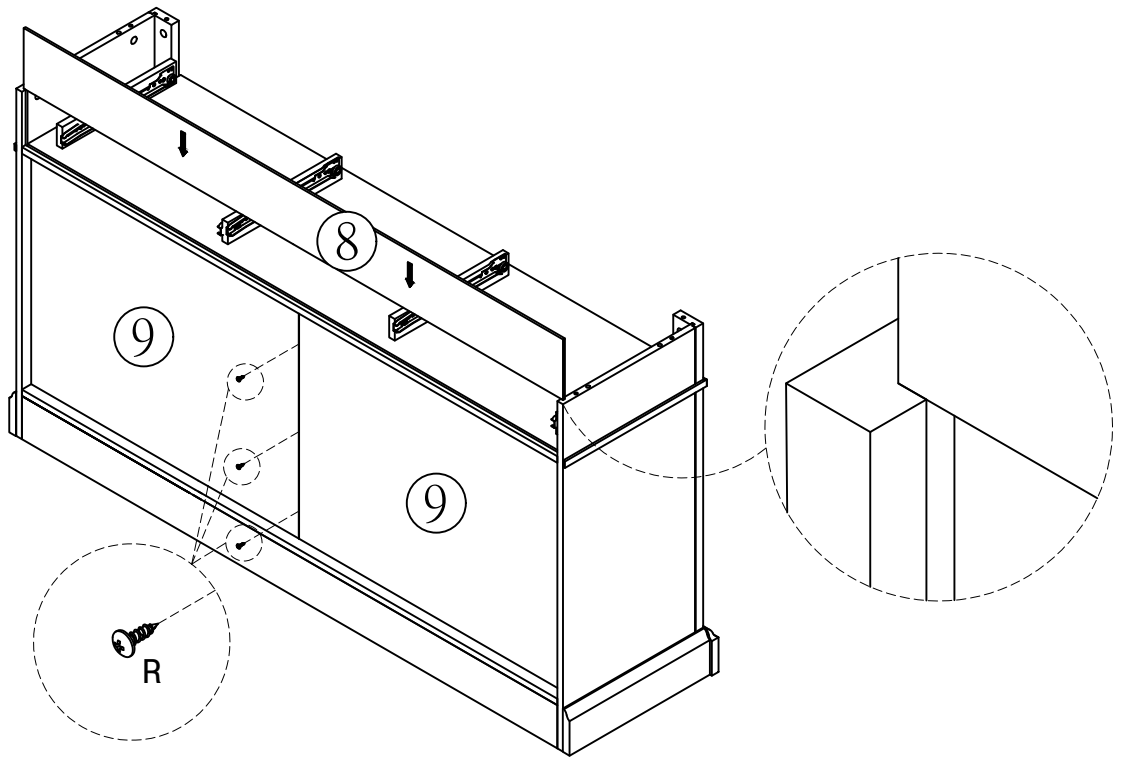
Ø15\*10mm  
B x 8

# Step 20

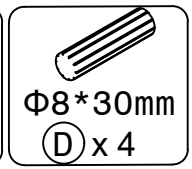
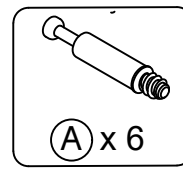
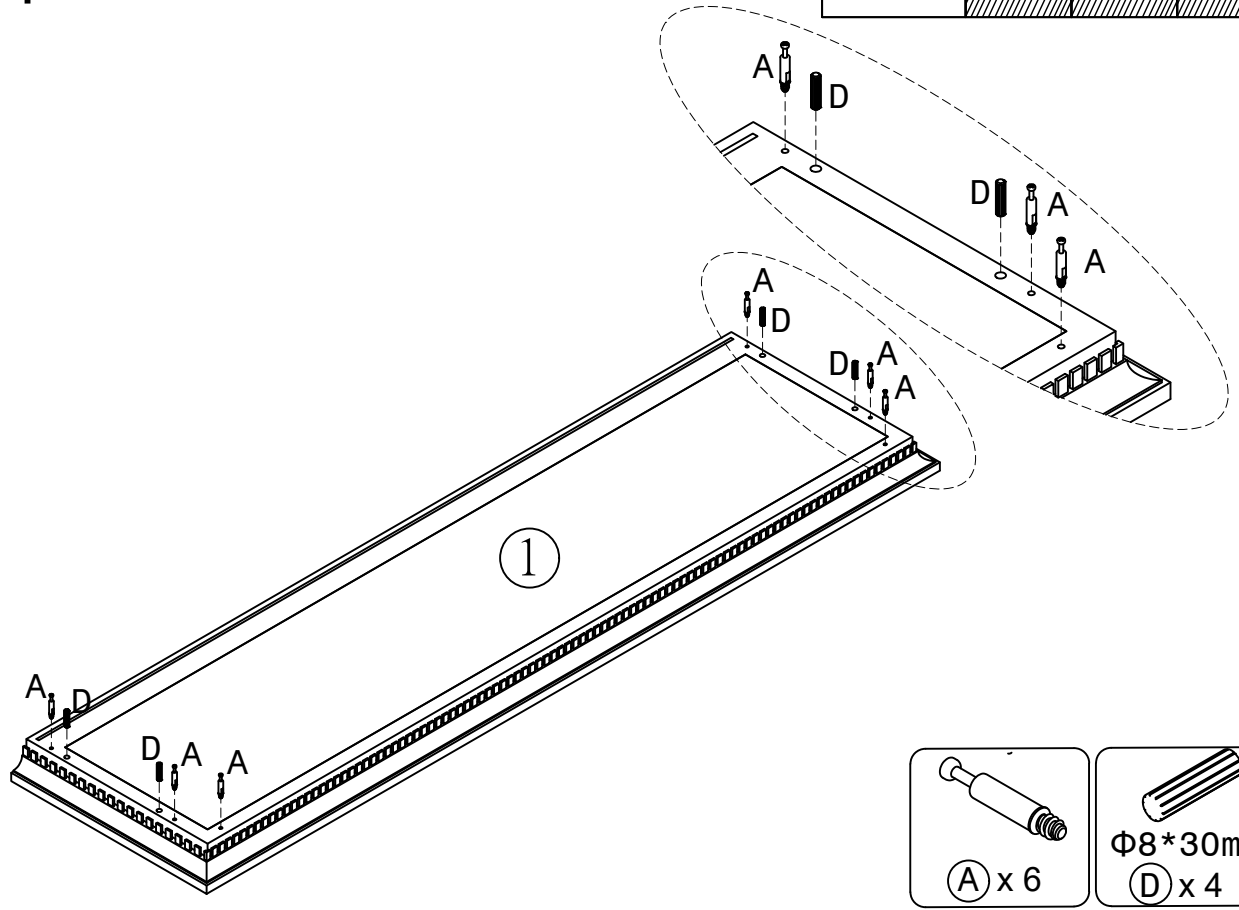
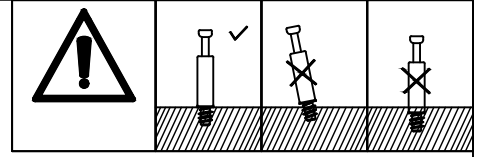


Φ8\*25mm  
I x 4

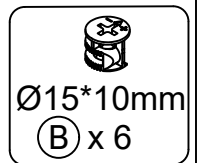
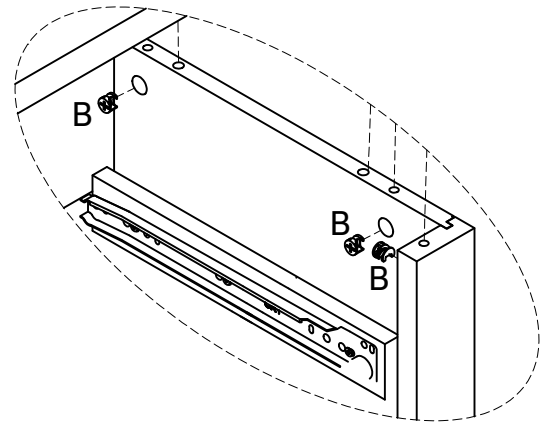
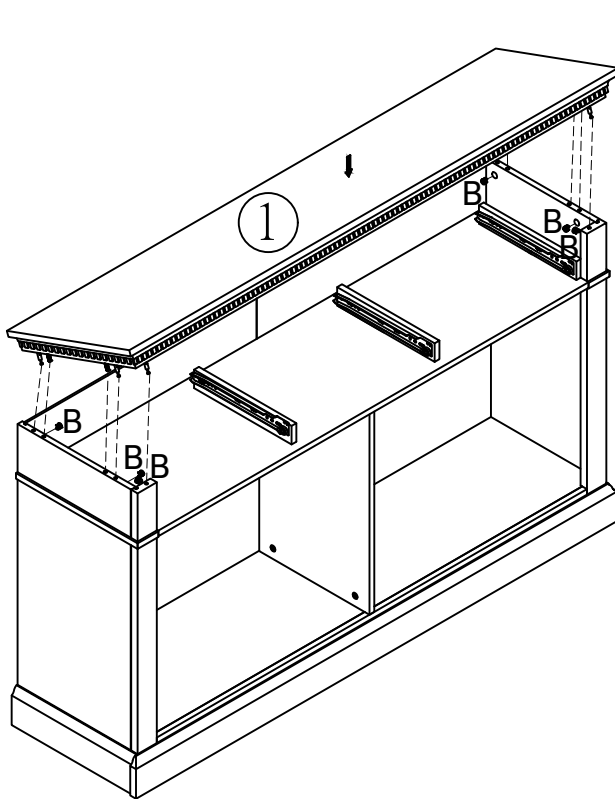
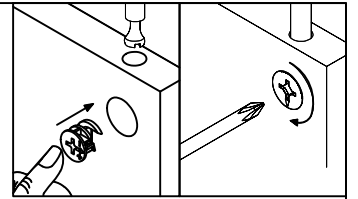
# Step 21



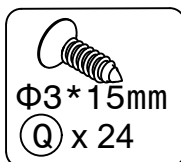
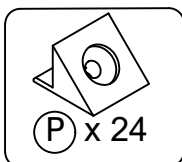
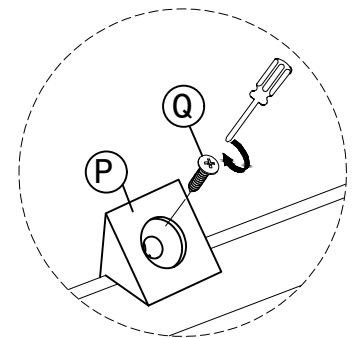
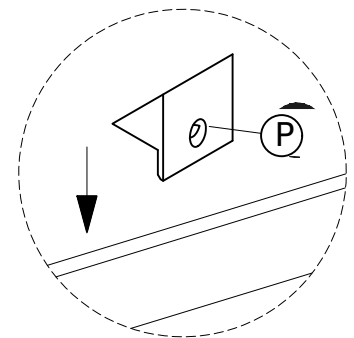
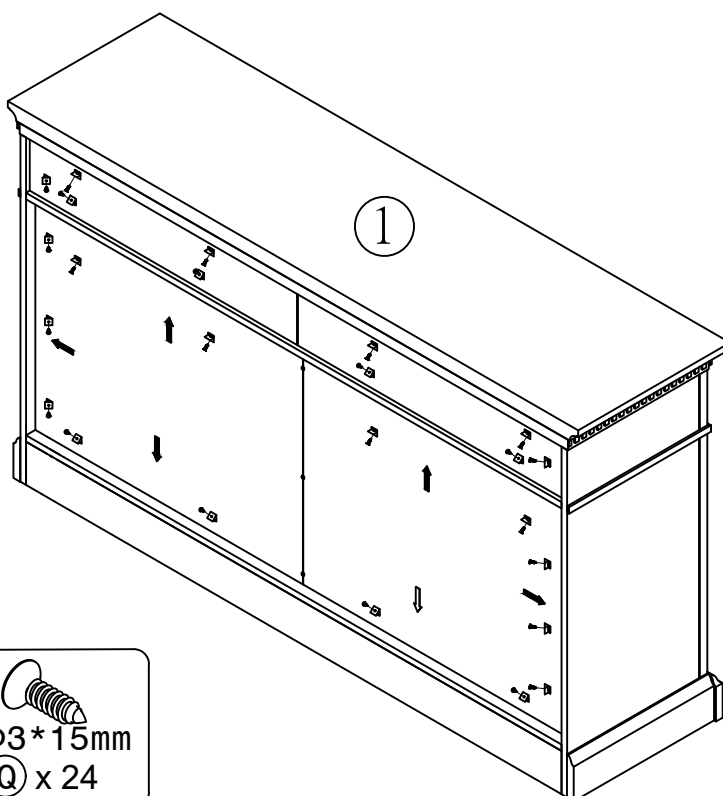
# Step 22



# Step 23



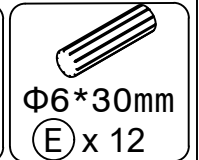
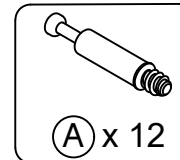
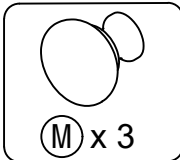
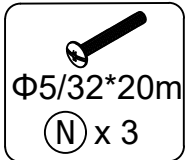
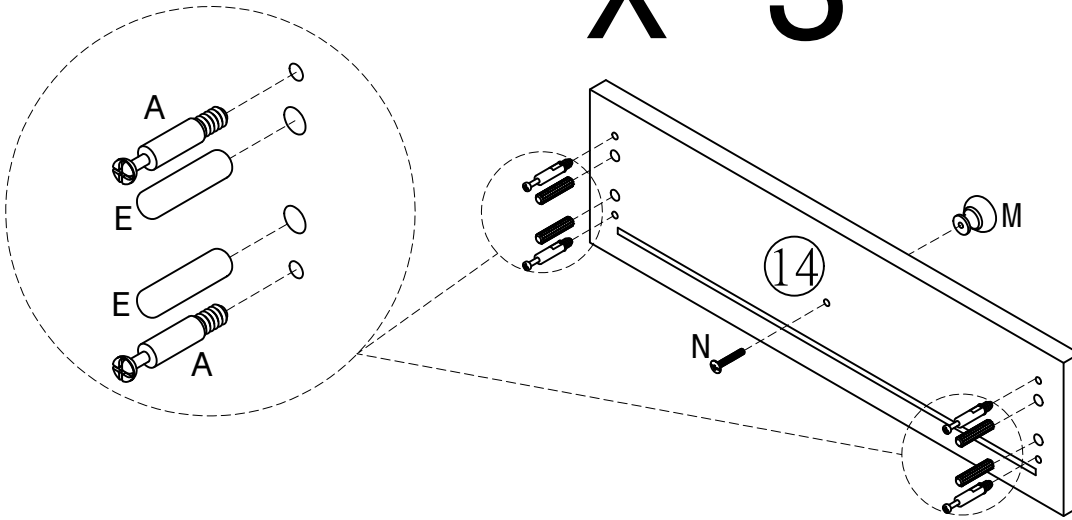
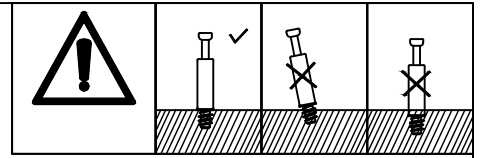
# Step 24





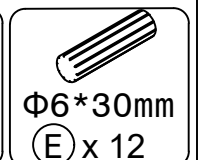
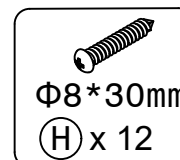
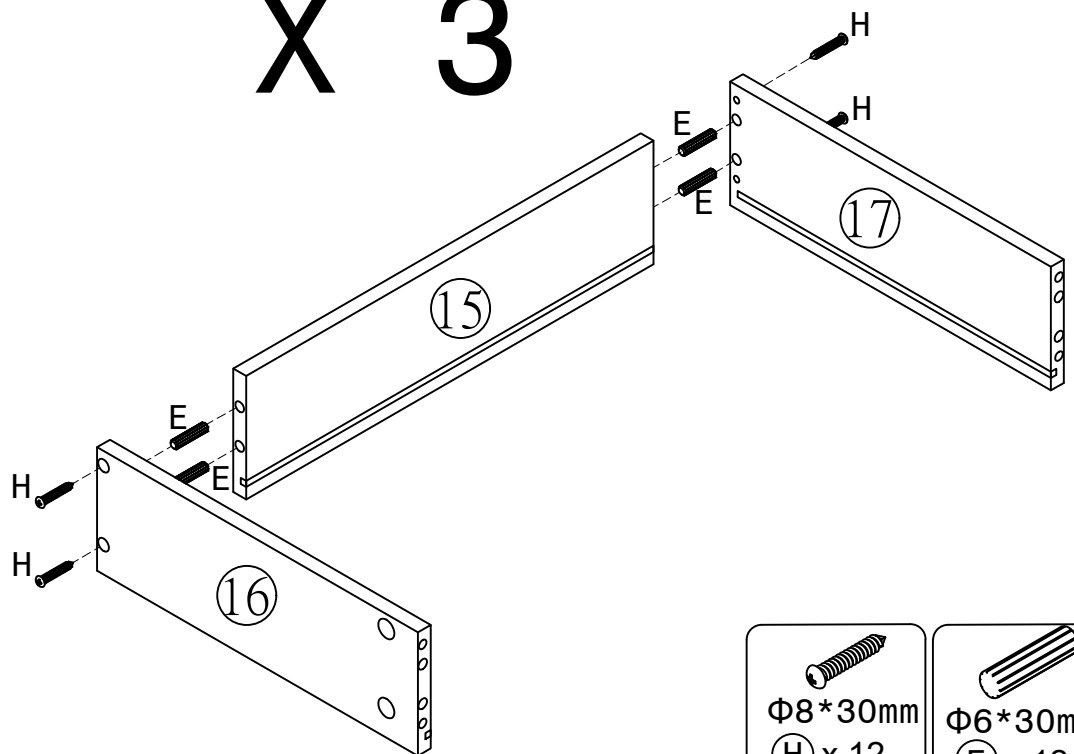
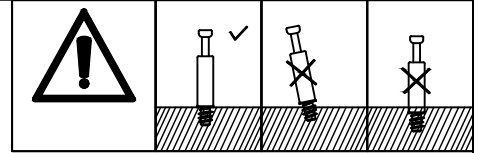
# Step 25

# X 3



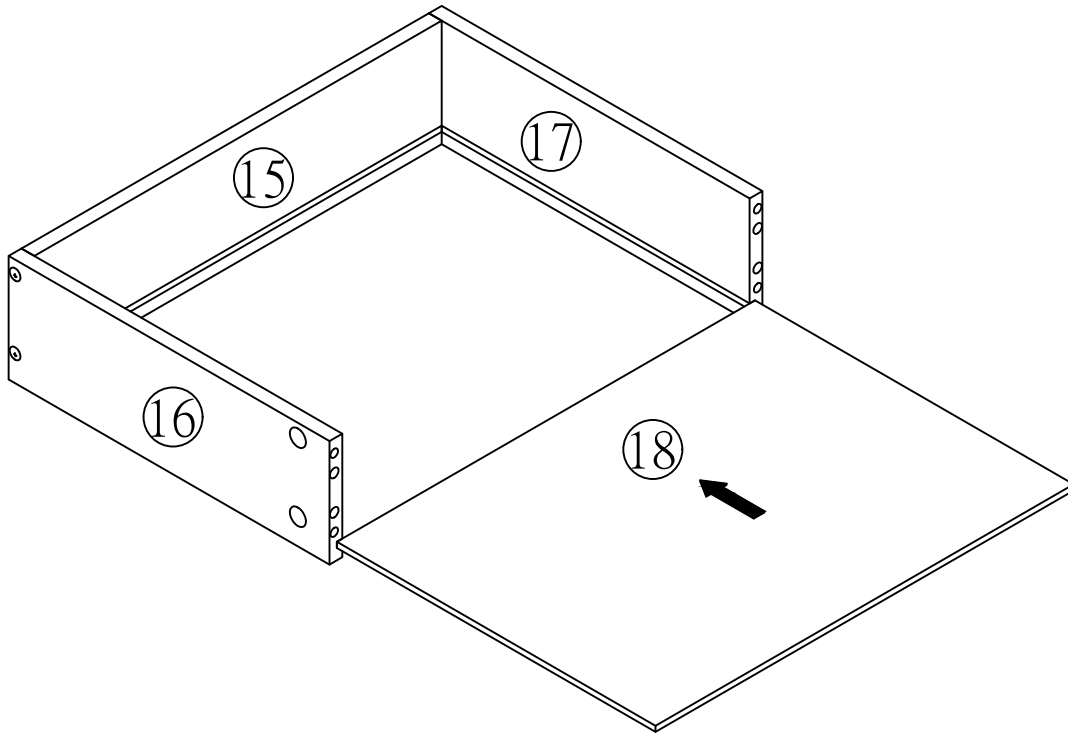
# Step 26

# X 3



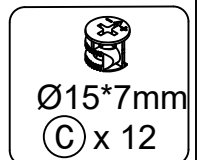
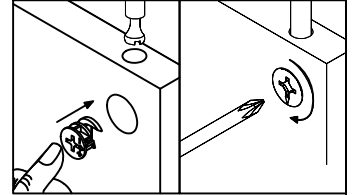
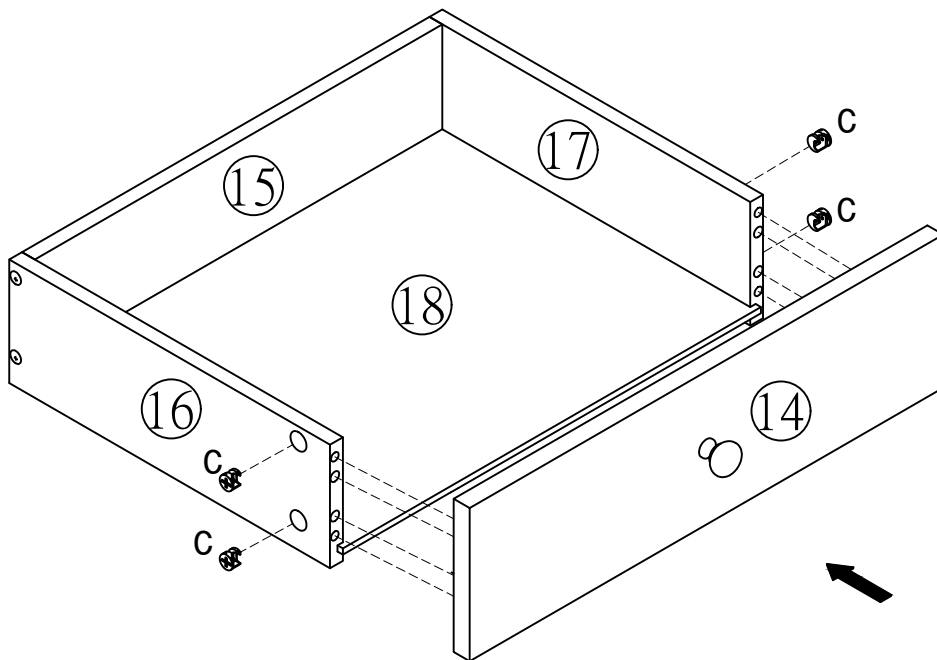
# Step 27

# X 3



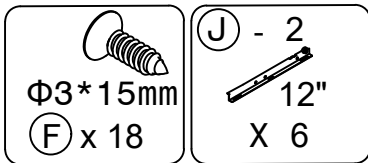
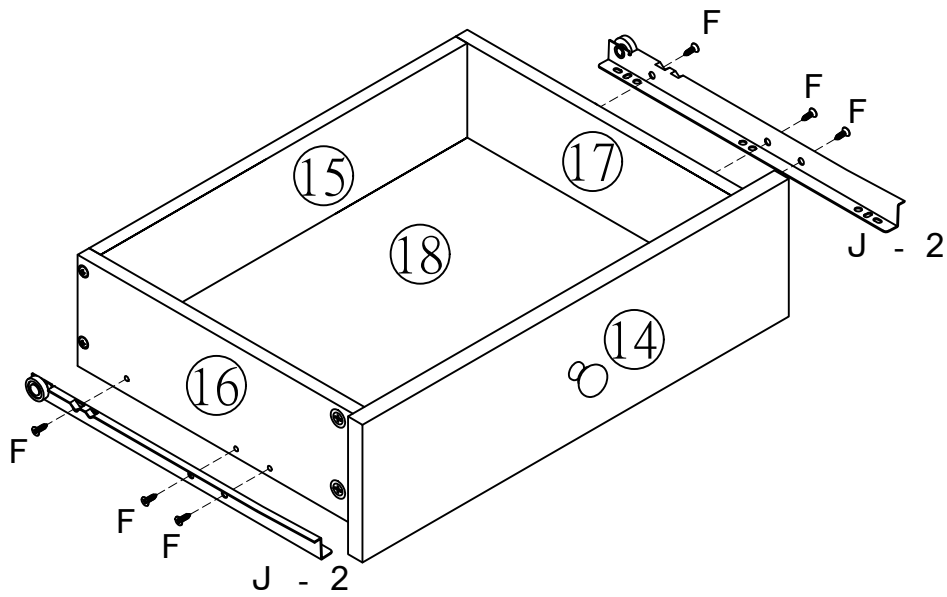
# Step 28

# X 3

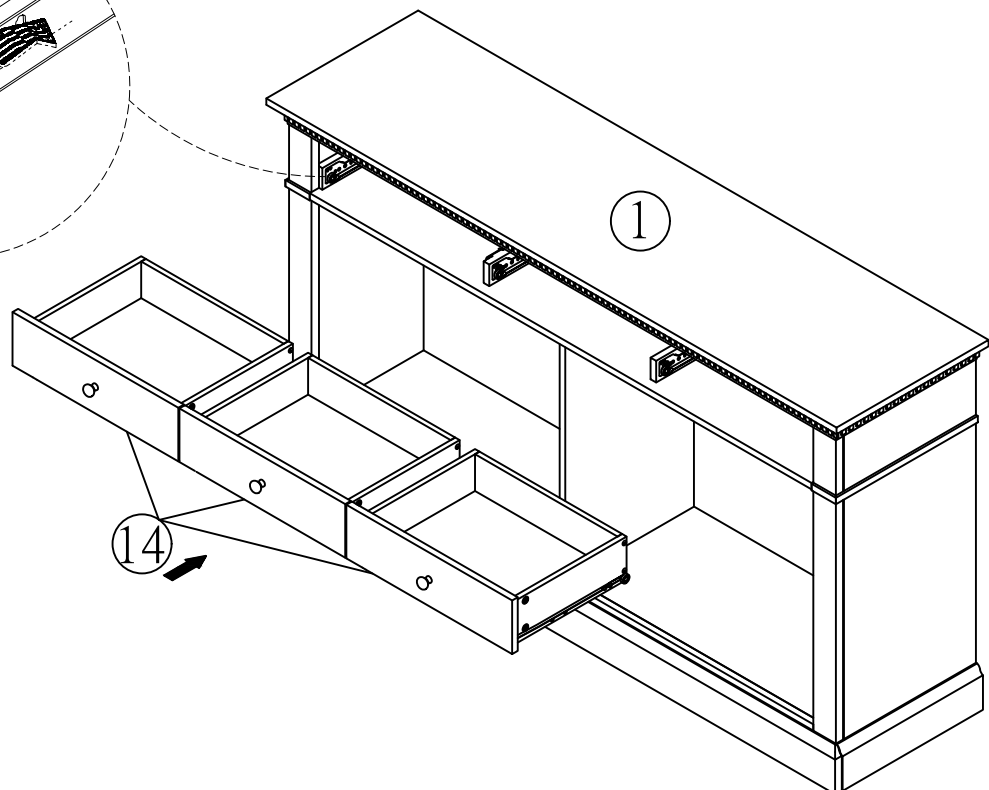
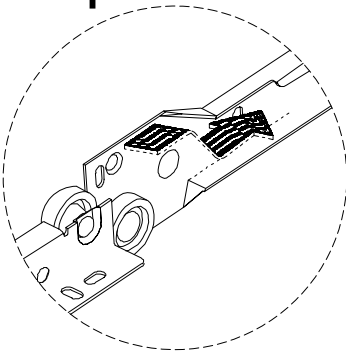


# Step 29

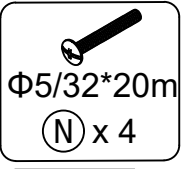
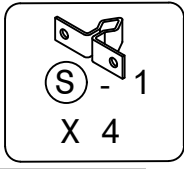
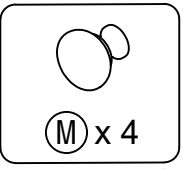
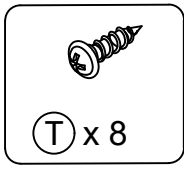
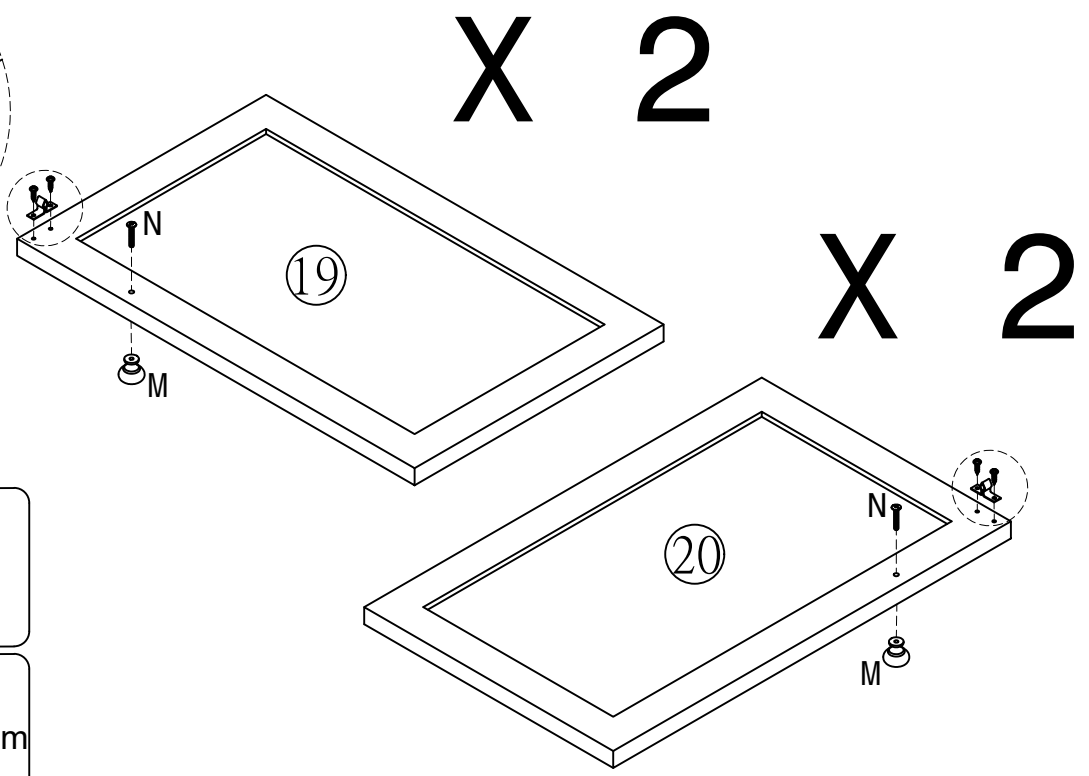
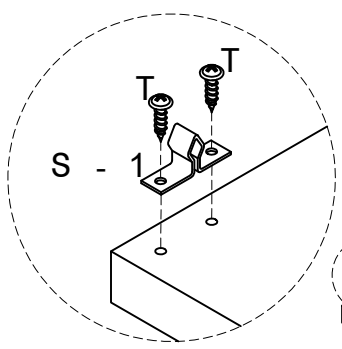
# X 3



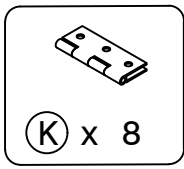
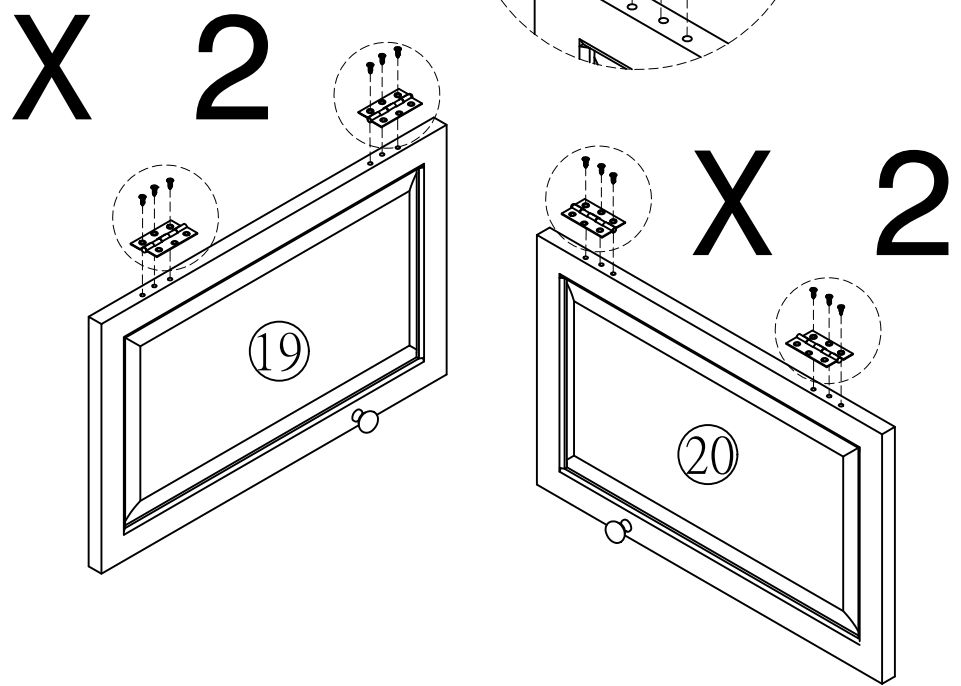
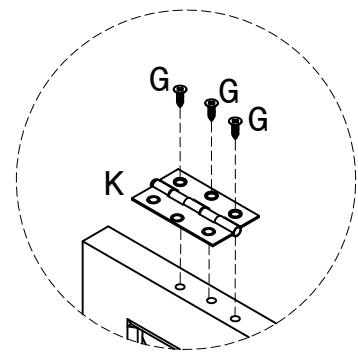
# Step 30



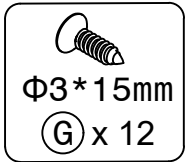
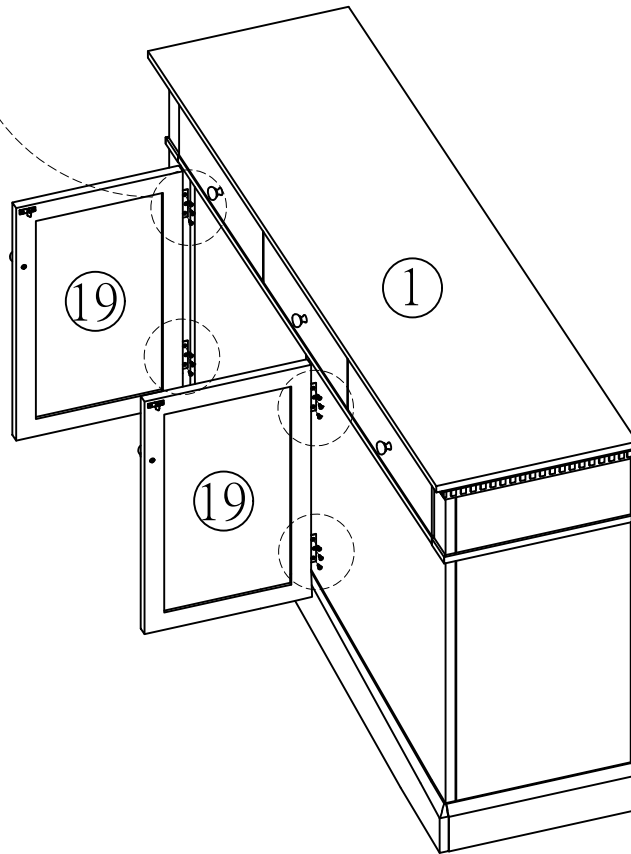
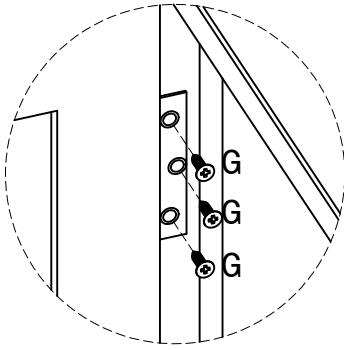
# Step 31



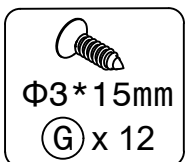
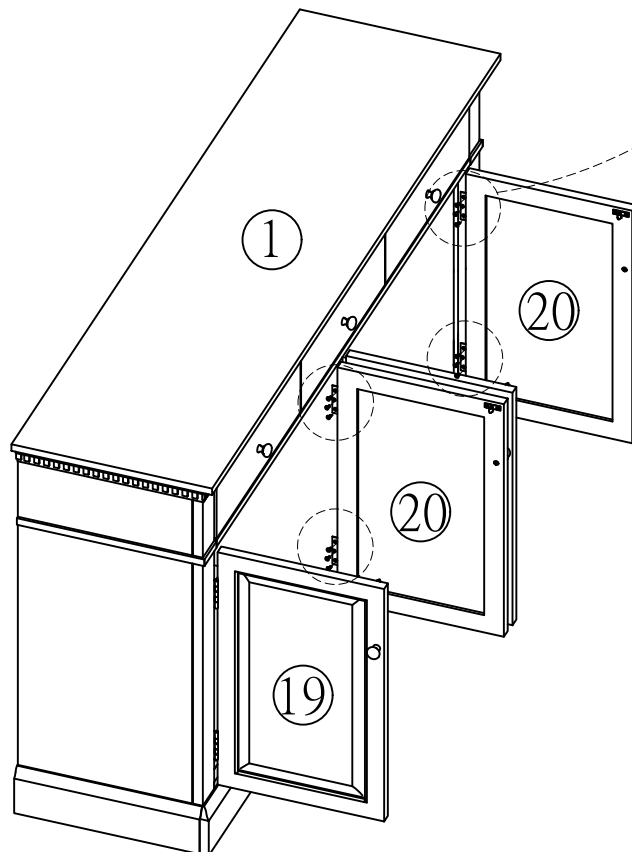
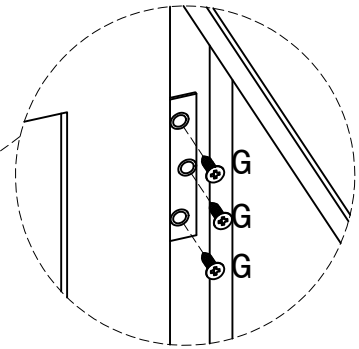
# Step 32



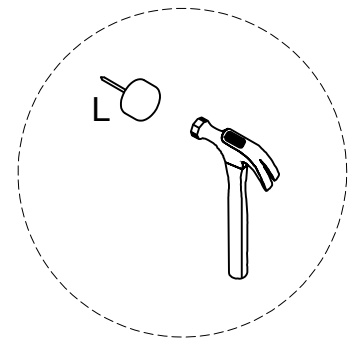
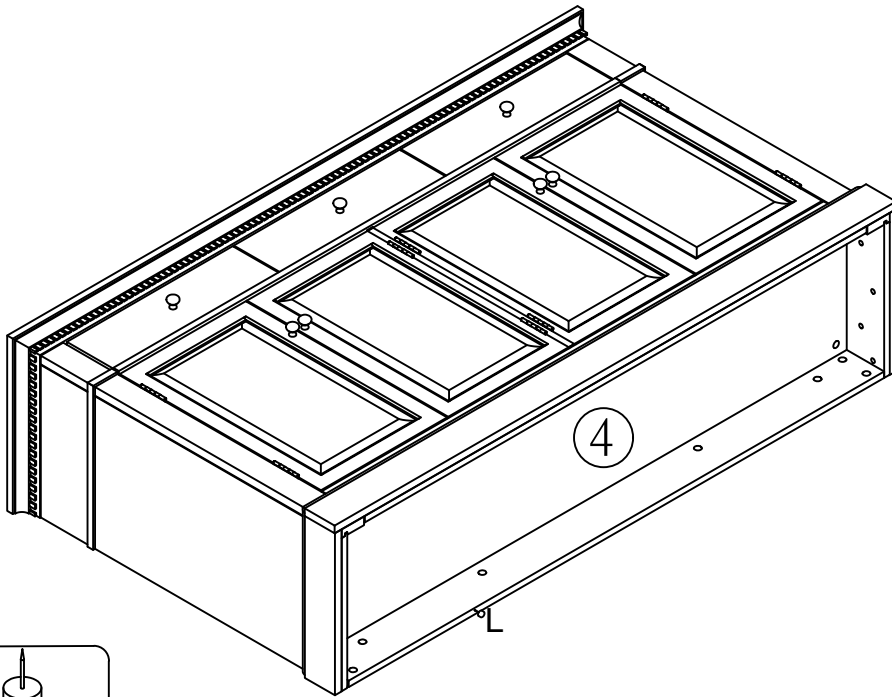
# Step 33



# Step 34



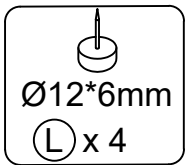
# Step 35



♣ L

♣ L

♣ L



# Step 36

