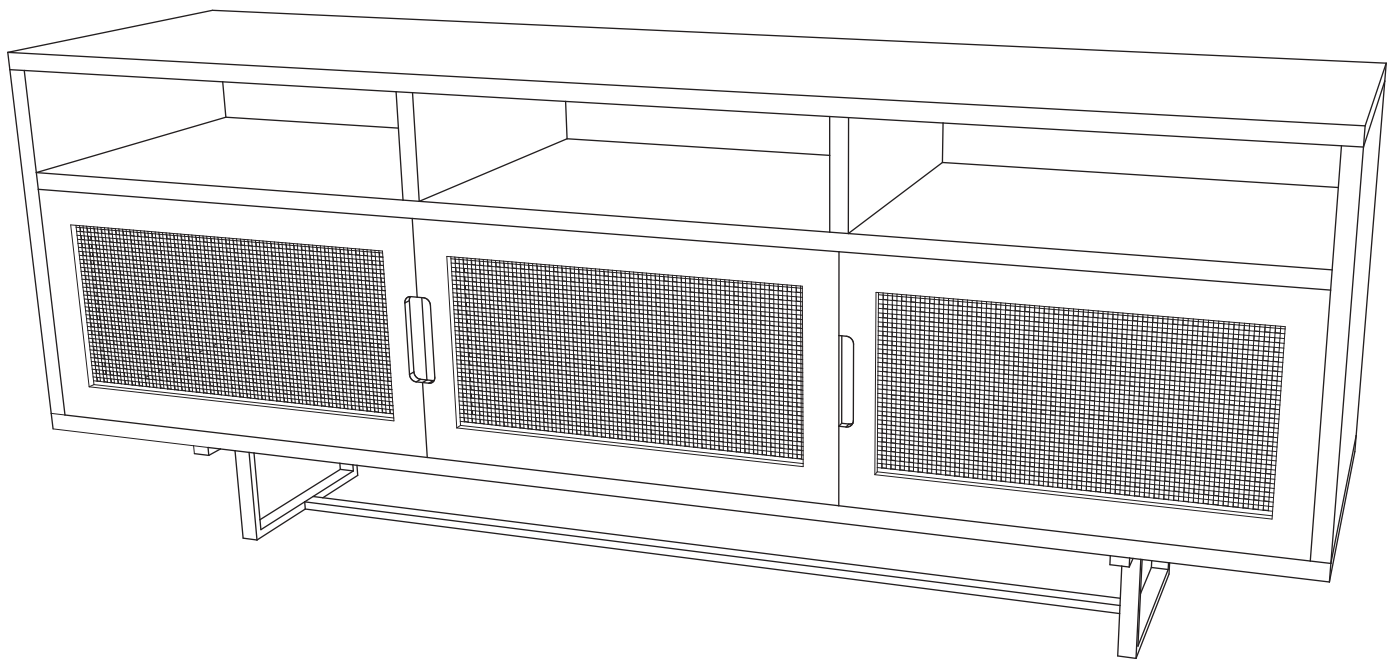


ASSEMBLY INSTRUCTION
ITEM:WF316904
TV STAND



ASSEMBLY INSTRUCTION

ITEM:WF316904

Please read these instructions fully before starting assembly :

Tools required: Phillips screwdriver(medium & large)

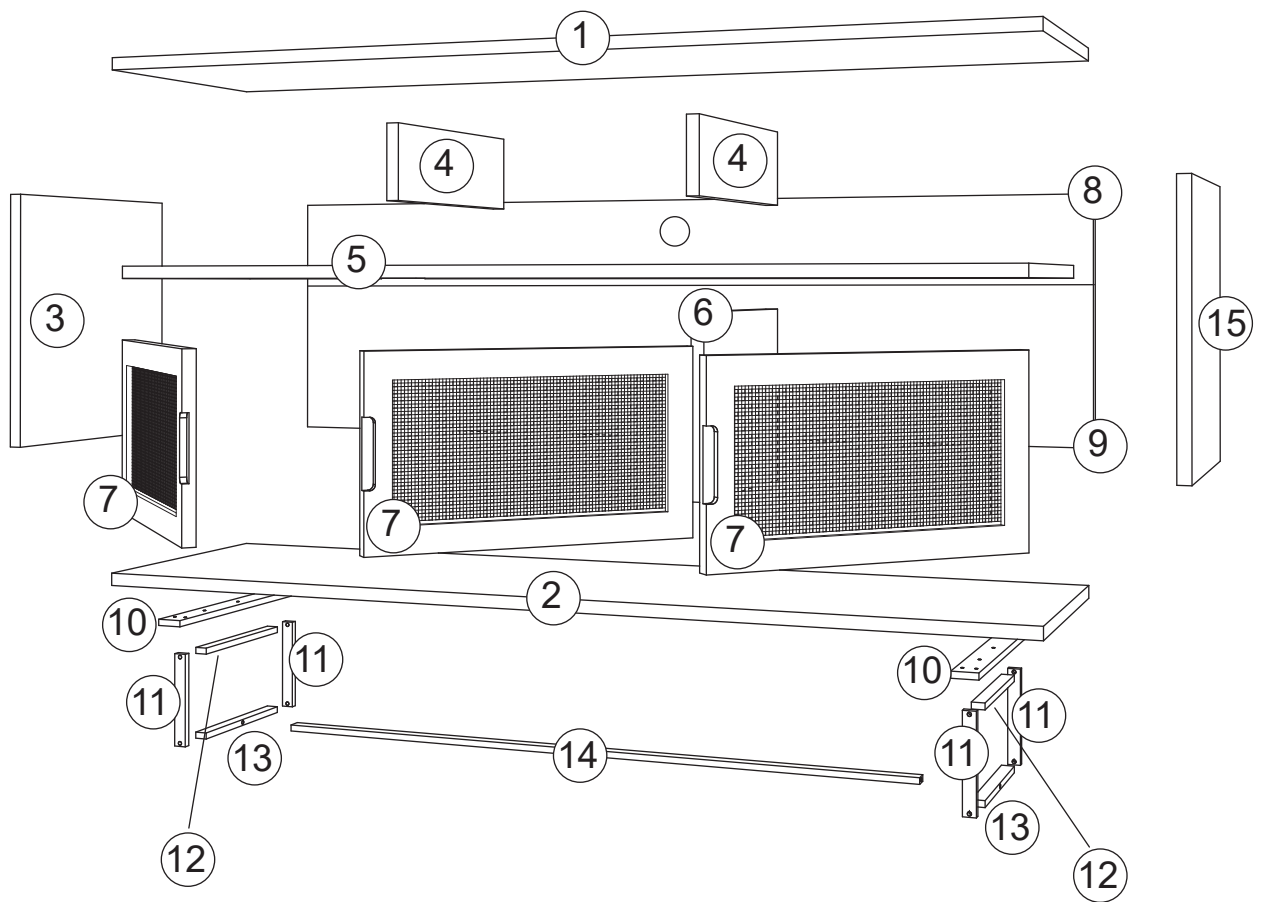
- 1.Check you have all the components and tools listed on the following pages.
- 2.Remove all fittings from the plastic bags and separate them into their groups.
- 3.Keep children and animals away from the work area, small parts could choke if swallowed.
- 4.Make sure you have enough space to layout the parts before starting.
- 5.During assembly do not stand or put weight on the product, this could cause damage.
- 6.Assemble the item as close to its final position (in the same room) as possible.
- 7.Assemble on a soft level surface to avoid damaging the unit or your floor.
- 8.Parts of the assembly will be easier with 2 people.
- 9.To reduce the likelihood of damaging your product please ensure that your power drill is set on a low torque setting.
- 10.Assemble all parts and bolts loosely during assembly, only once the product is complete should you fully tighten the bolts.
- 11.Regularly check and ensure That all bolts and fittings are tightend properly.
- 12.Please do not place items that exceed the load capacity.

Care and maintenance :

Only clean using a damp cloth and mild detergent,do not use bleach or abrasive cleaners.

ASSEMBLY INSTRUCTION

ITEM:WF316904



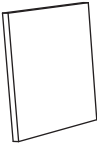



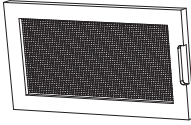





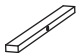

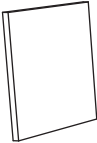


Part List

ITEM:WF316904

Please check you have all the panels listed below

Note: The quantities below are the correct amount to complete the assembly. In some cases more fittings may be supplied than are required.

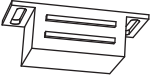
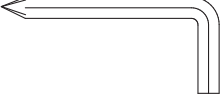

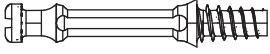
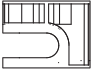




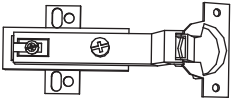
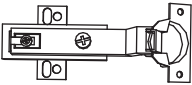
<p>①</p>  <p>Top panel 1520 x 400 x 15 mm</p> <p>1 PC</p>	<p>②</p>  <p>Lower panel 1520 x 400 x 15 mm</p> <p>1 PC</p>	<p>③</p>  <p>Side panel 430 x 400 x 15 mm</p> <p>1 PC</p>	<p>④</p>  <p>Medial panel 395 x 120 x 15 mm</p> <p>2 PCS</p>
<p>⑤</p>  <p>Sandwich panel 1490 x 395 x 15 mm</p> <p>1 PC</p>	<p>⑥</p>  <p>Medial panel 375 x 295 x 15 mm</p> <p>1 PC</p>	<p>⑦</p>  <p>Door 495 X 290 X 20 mm</p> <p>3 PCS</p>	<p>⑧</p>  <p>Rear panel 1510 x 140 x 3 mm</p> <p>1 PC</p>
<p>⑨</p>  <p>Rear panel 1510 x 310 x 3 mm</p> <p>1 PC</p>	<p>⑩</p>  <p>Support bar 390 x 60 x 12 mm</p> <p>2 PCS</p>	<p>⑪</p>  <p>Support bar 140 x 30 x 20 mm</p> <p>4 PCS</p>	<p>⑫</p>  <p>Support bar 300 x 30 x 20 mm</p> <p>2 PCS</p>
<p>⑬</p>  <p>Support bar 300 x 30 x 20 mm</p> <p>2 PCS</p>	<p>⑭</p>  <p>Support bar 1100 x 30 x 20 mm</p> <p>1 PC</p>	<p>⑮</p>  <p>Side panel 430 x 400 x 15 mm</p> <p>1 PC</p>	

Hardware list

ITEM:WF316904

Please check you have all the panels listed below

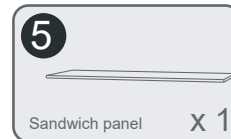
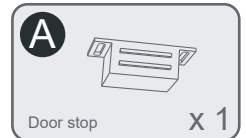
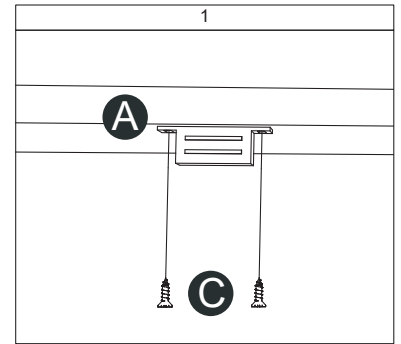
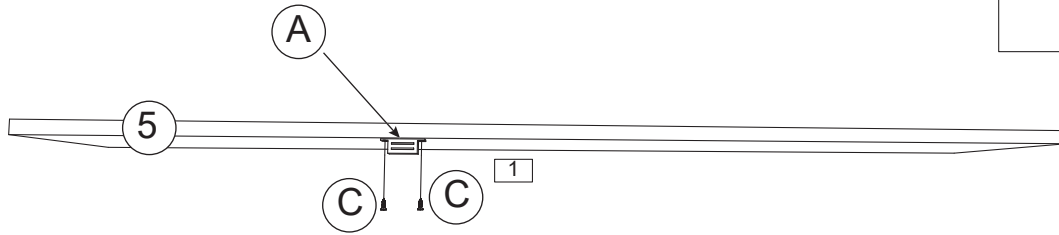
Note: The quantities below are the correct amount to complete the assembly. In some cases more fittings may be supplied than are required.

<p>A</p>  <p>Door stop x 1</p>	<p>B</p>  <p>HexKey M4 x 1</p>	<p>C</p>  <p>Screw 3*12 x 64</p>	<p>D</p>  <p>Male camlock x 24</p>
<p>E</p>  <p>Female camlock x 24</p>	<p>F</p>  <p>Screw 6*40 x 8</p>	<p>G</p>  <p>Screw 6*50 x 2</p>	<p>H</p>  <p>Screw 4*30 x 6</p>
<p>I</p>  <p>Screw 4*25 x 8</p>	<p>J</p>  <p>Hinge x 4</p>	<p>K</p>  <p>Hinge x 2</p>	

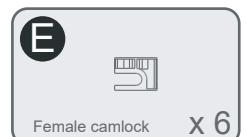
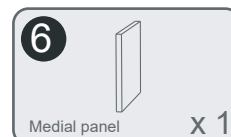
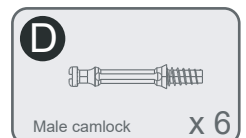
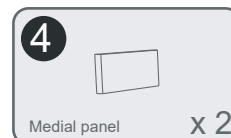
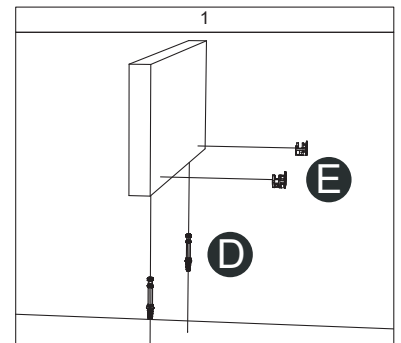
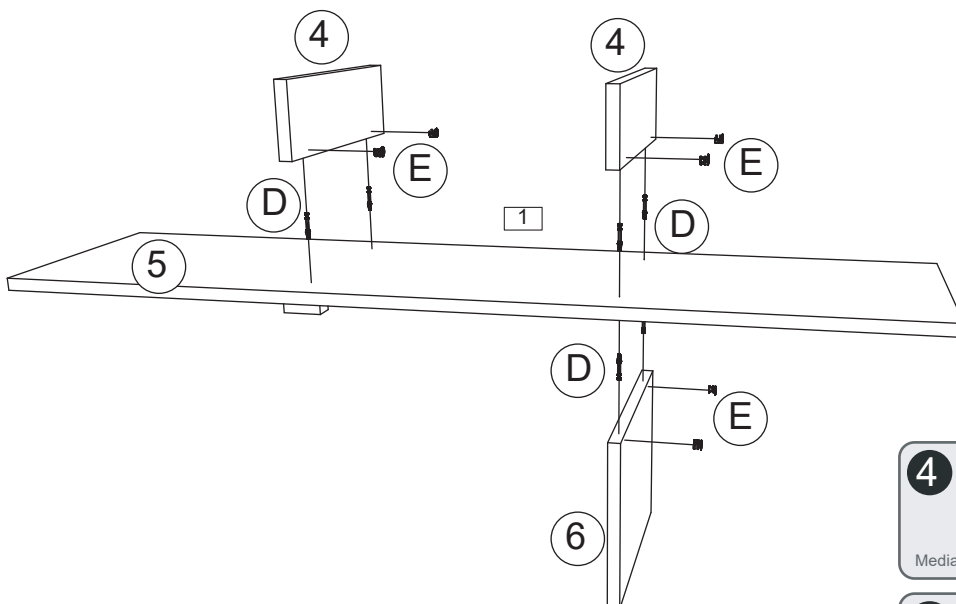
ASSEMBLY INSTRUCTION

ITEM:WF316904

Step 1



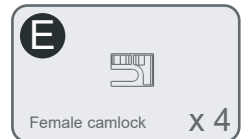
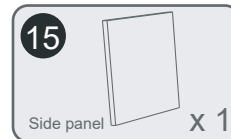
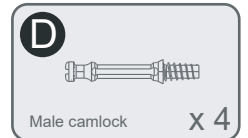
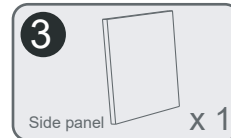
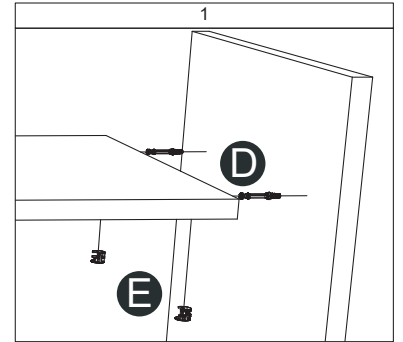
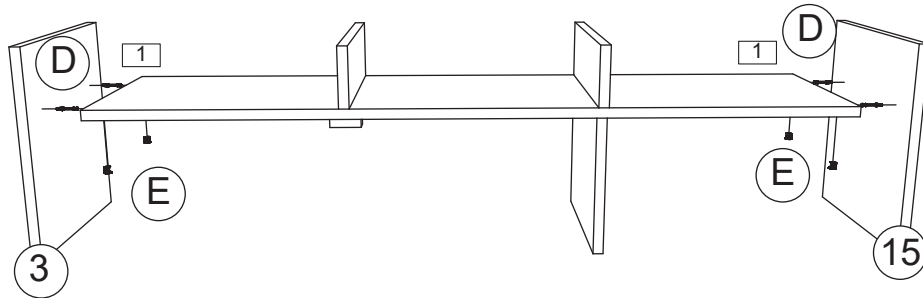
Step 2



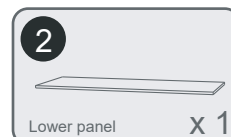
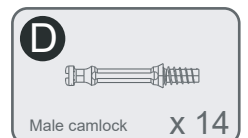
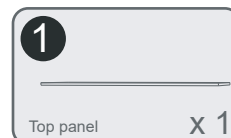
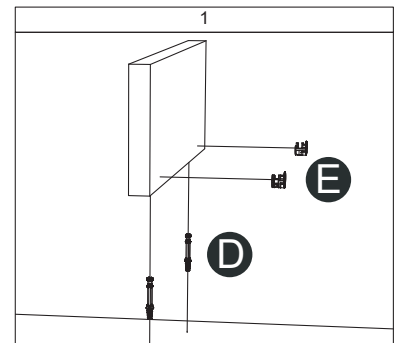
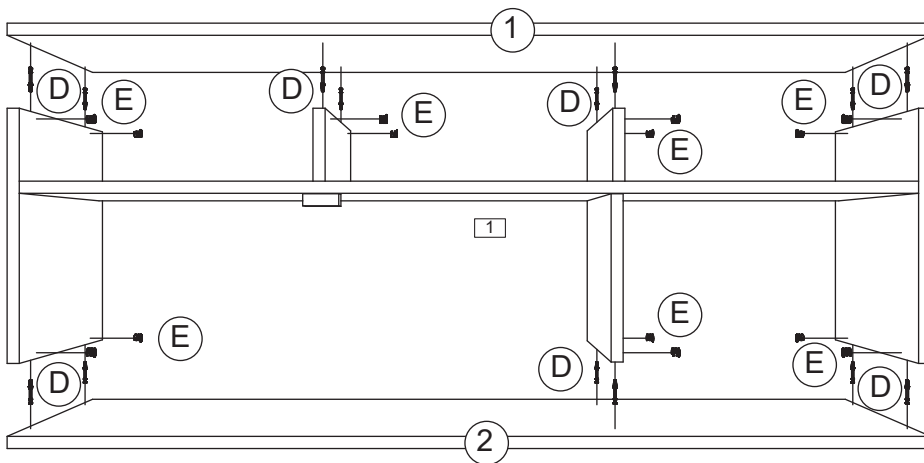
ASSEMBLY INSTRUCTION

ITEM:WF316904

Step 3



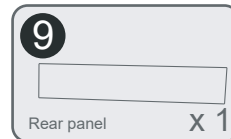
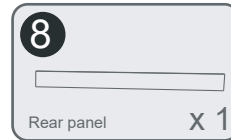
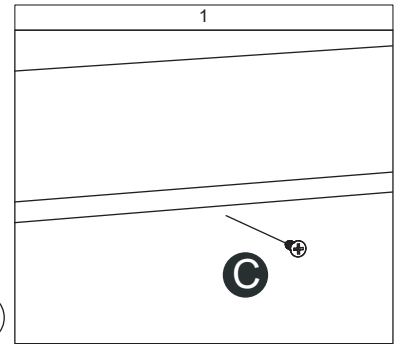
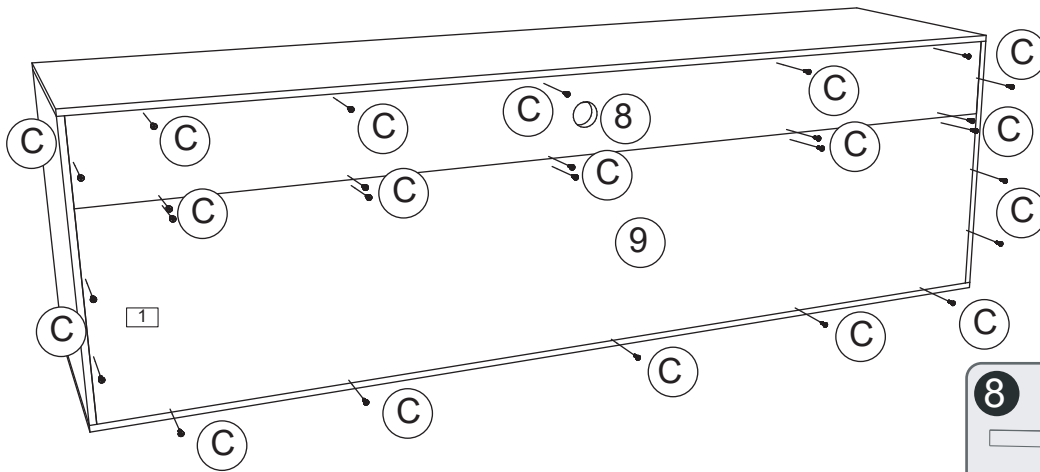
Step 4



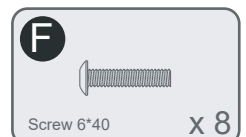
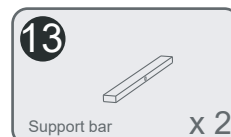
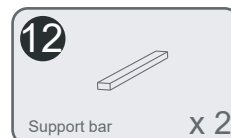
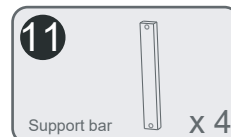
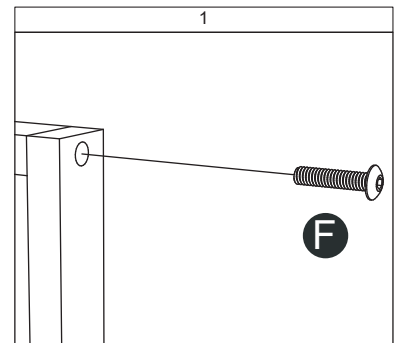
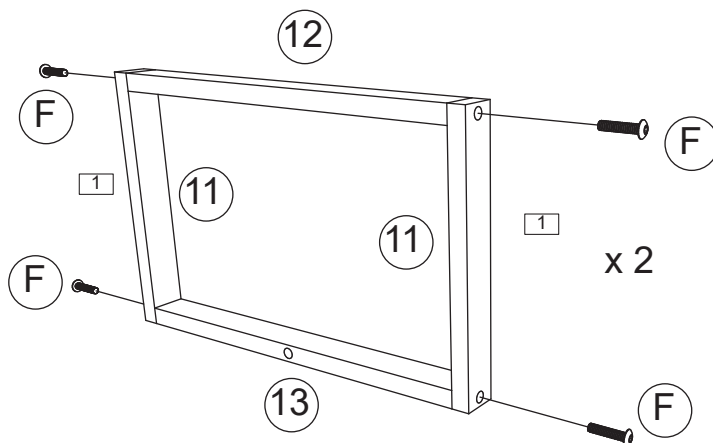
ASSEMBLY INSTRUCTION

ITEM:WF316904

Step 5



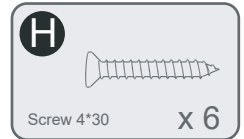
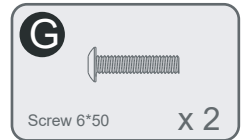
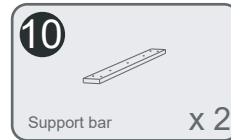
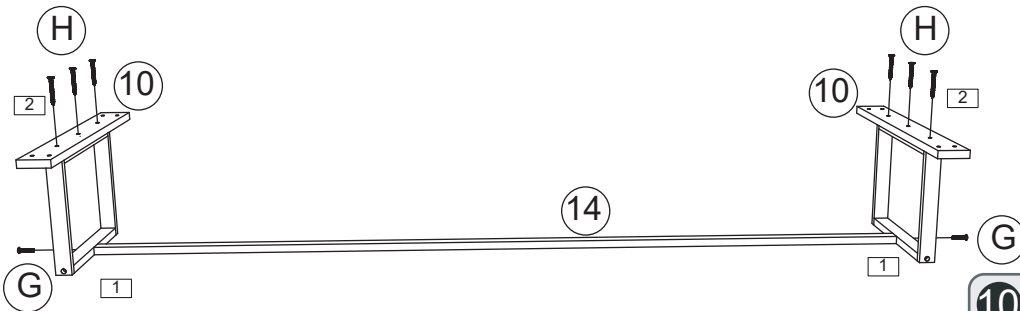
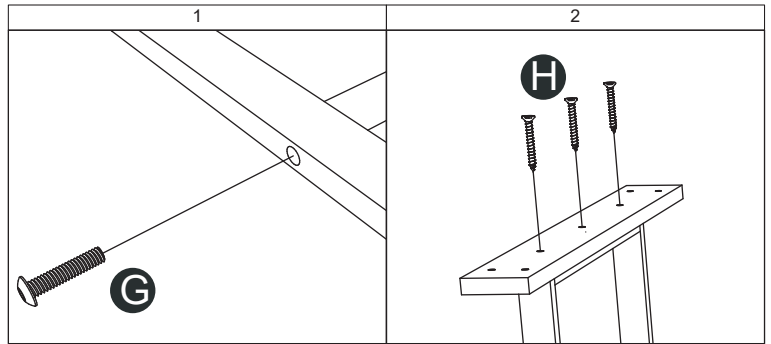
Step 6



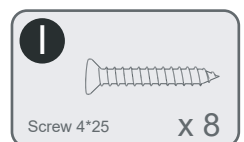
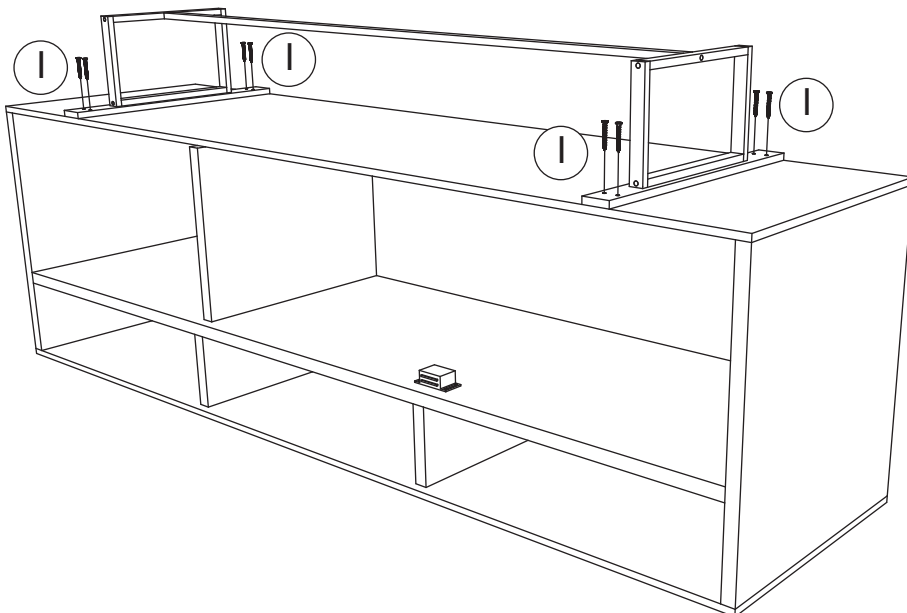
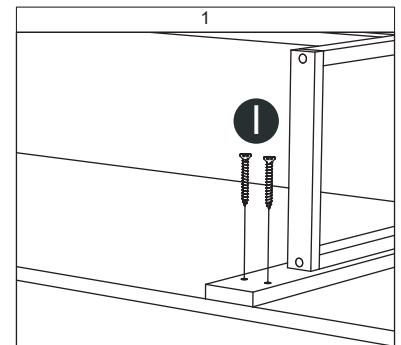
ASSEMBLY INSTRUCTION

ITEM:WF316904

Step 7



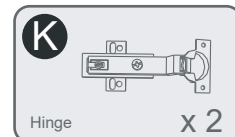
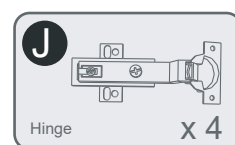
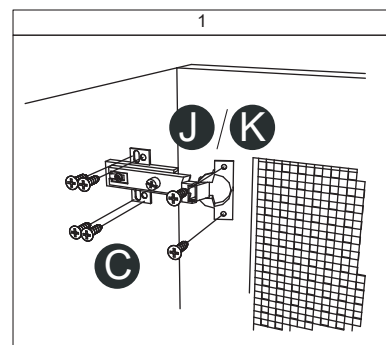
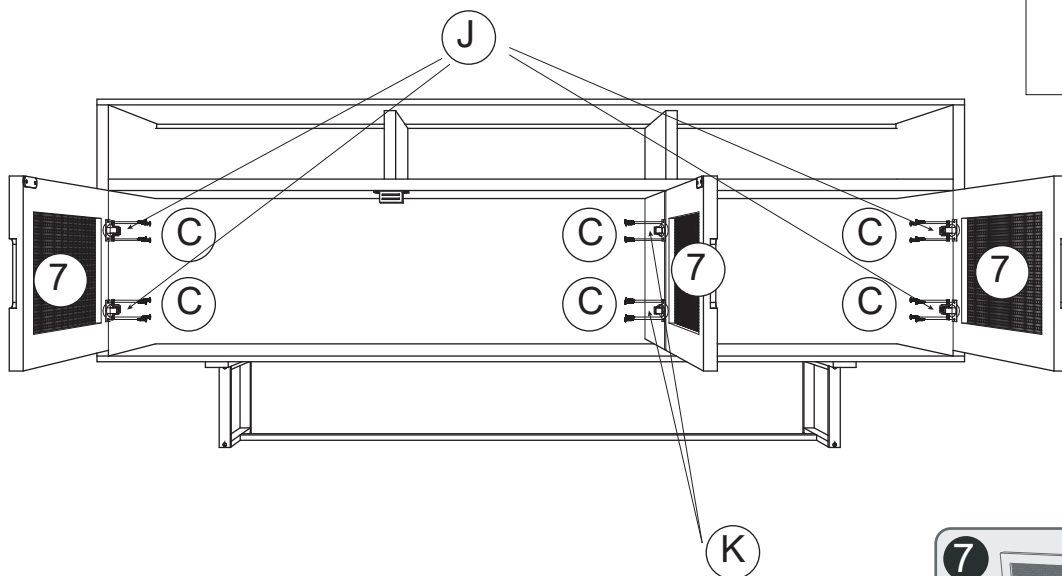
Step 8



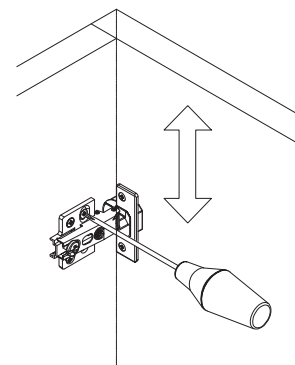
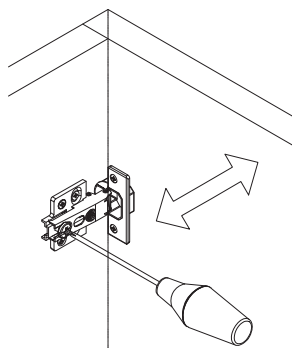
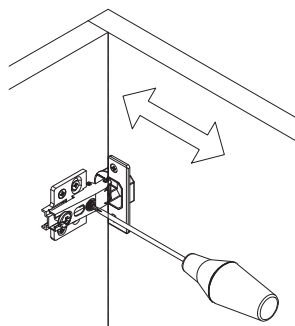
ASSEMBLY INSTRUCTION

ITEM:WF316904

Step 9



Hinge adjustment



ASSEMBLY INSTRUCTION

ITEM:WF316904

Complete

