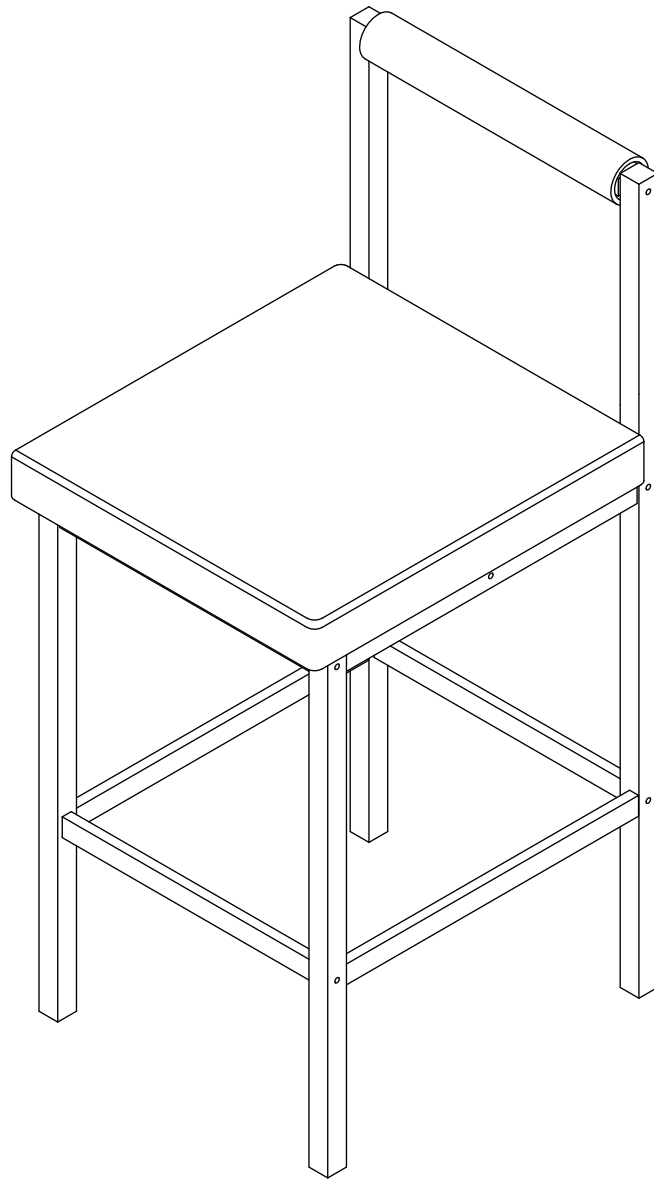


# ASSEMBLY INSTRUCTIONS

ITEM NO.WF318311

Dining Chair



# ASSEMBLY INSTRUCTIONS

ITEM NO.WF318311

Please read these instructions fully before starting assembly:

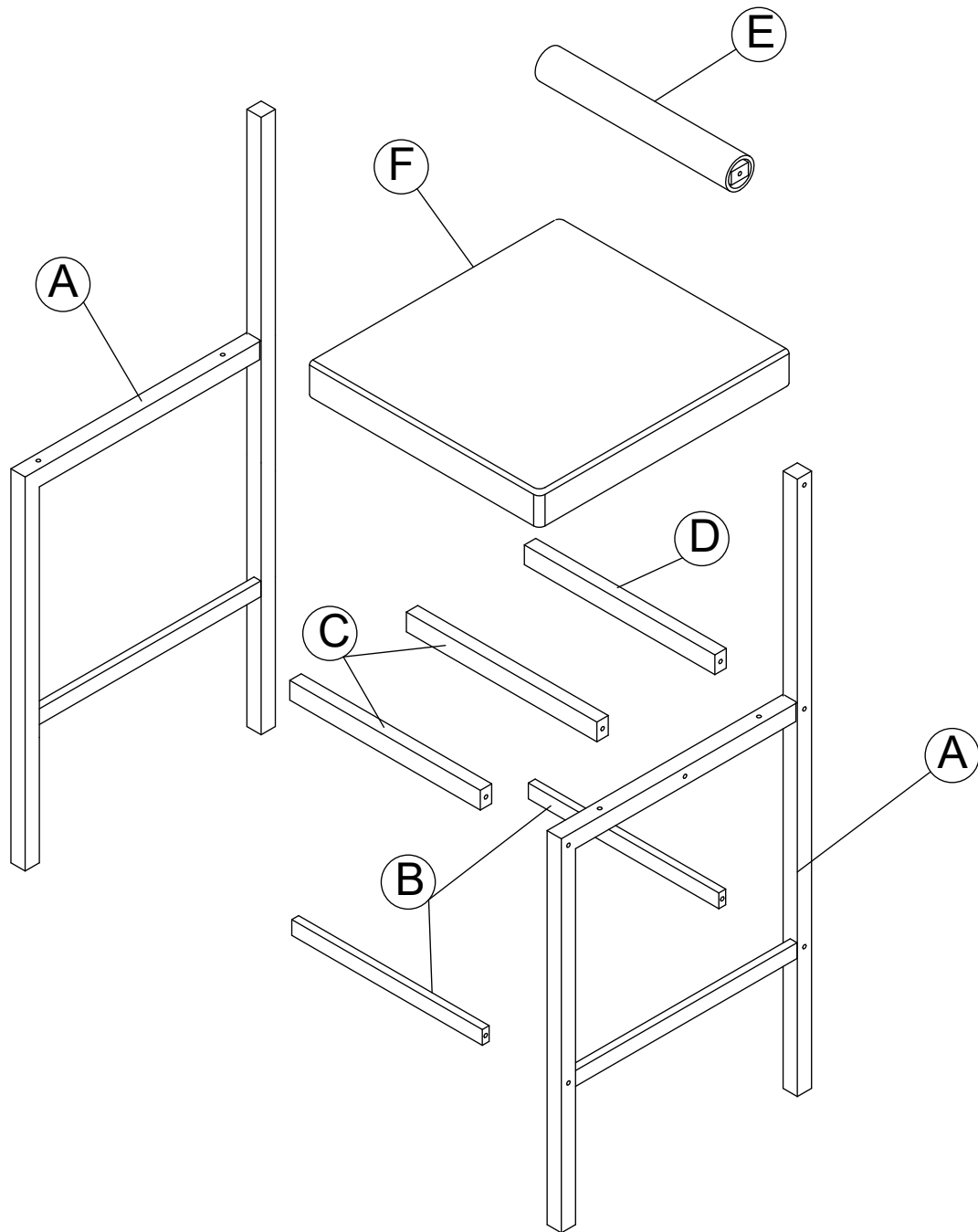
1. Place all wooden parts on a clean and smooth surface such as a rug or carpet to avoid scratching the parts.
2. Kindly follow the assembly instructions step by step.
3. Do not tighten all screws and bolts until the table is fully assembled.
4. Unscrew the protective plastique supports from the metal insert of the table legs before assembly.
5. Parts of the assembly will be easier with 2 people.

Care and maintenance:

Only clean using a damp cloth and mild detergent, do no use bleach or abrasive cleaners.

# ASSEMBLY INSTRUCTIONS

ITEM NO.WF318311



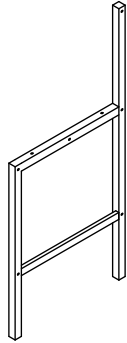
**X3**

# ASSEMBLY INSTRUCTIONS

ITEM NO.WF318311

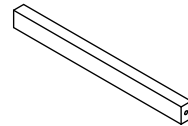
## Part List

(A)



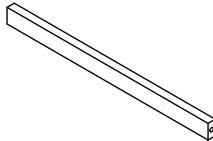
CHAIR LEG (6pcs)

(B)



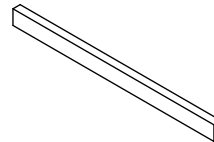
TOP RAIL (6pcs)

(C)



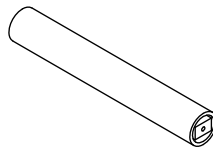
BOTTOM RAIL (6pcs)

(D)



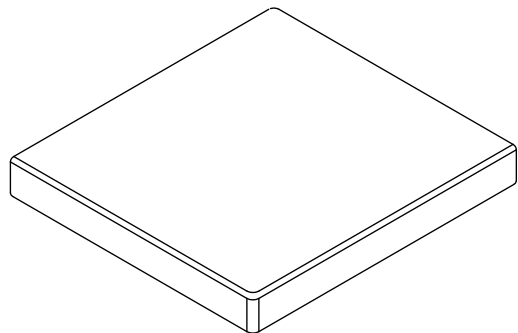
INTERMEDIATE CROSS BAR (3pcs)

(E)



CHAIR BACK (3pcs)

(F)



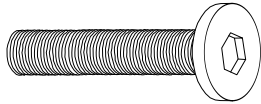
CUSHION SEAT (3pcs)

# ASSEMBLY INSTRUCTIONS

ITEM NO.WF318311

## Hardware List

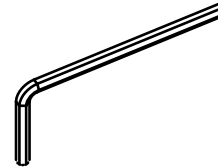
1



Ø 5/16" x 40 mm

BOLT (48 pcs)

2



4 mm

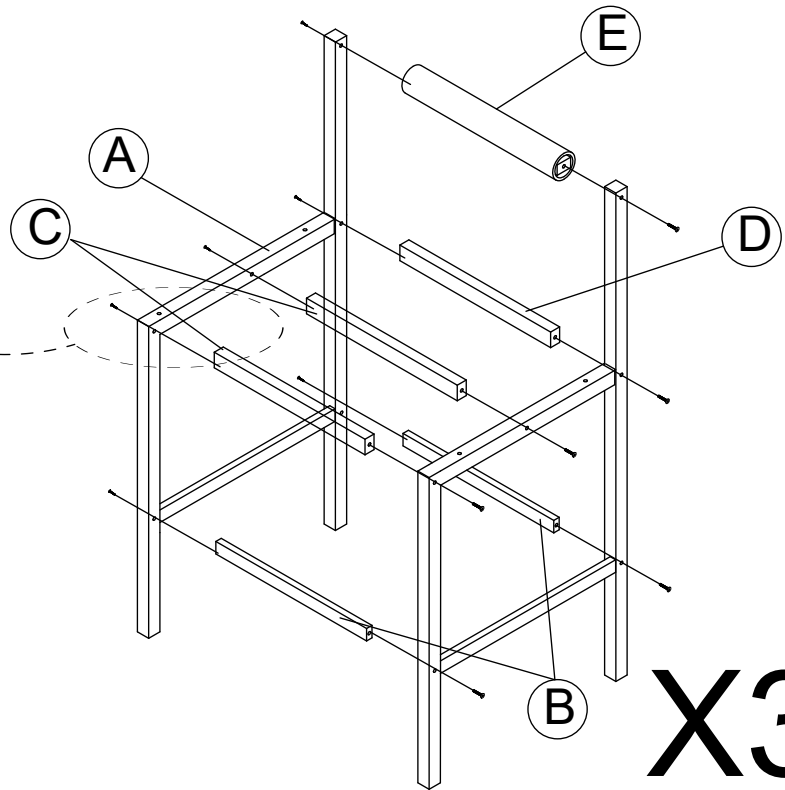
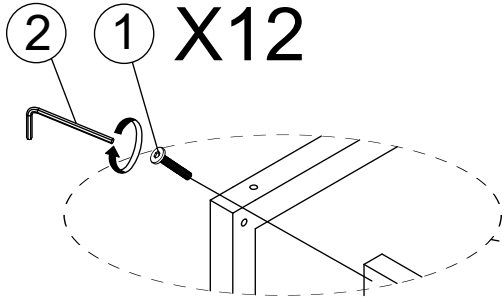
ALLEN KEY (1 pc)



# ASSEMBLY INSTRUCTIONS

ITEM NO.WF318311

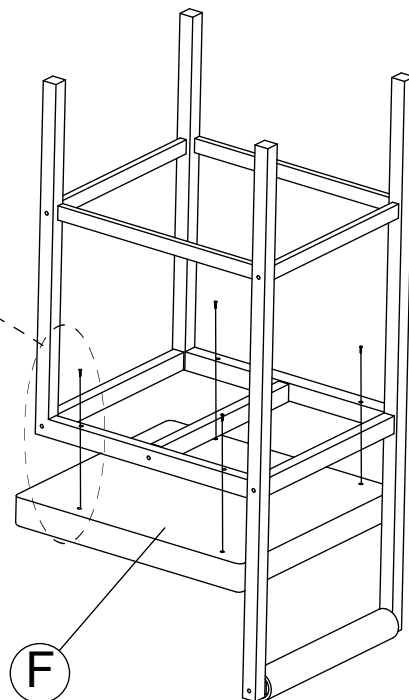
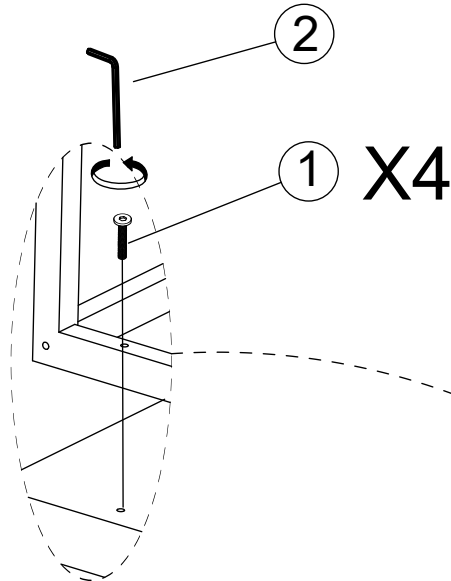
## STEP1:



② ① X12



BOLT	ALLEN KEY
Ø5/16 x40mm	4 mm
	
① X36	② X1

## STEP2:



BOLT	ALLEN KEY
Ø5/16 x40mm	4 mm
	
① X12	② X1

# ASSEMBLY INSTRUCTIONS

ITEM NO.WF318311

COMPLETE

