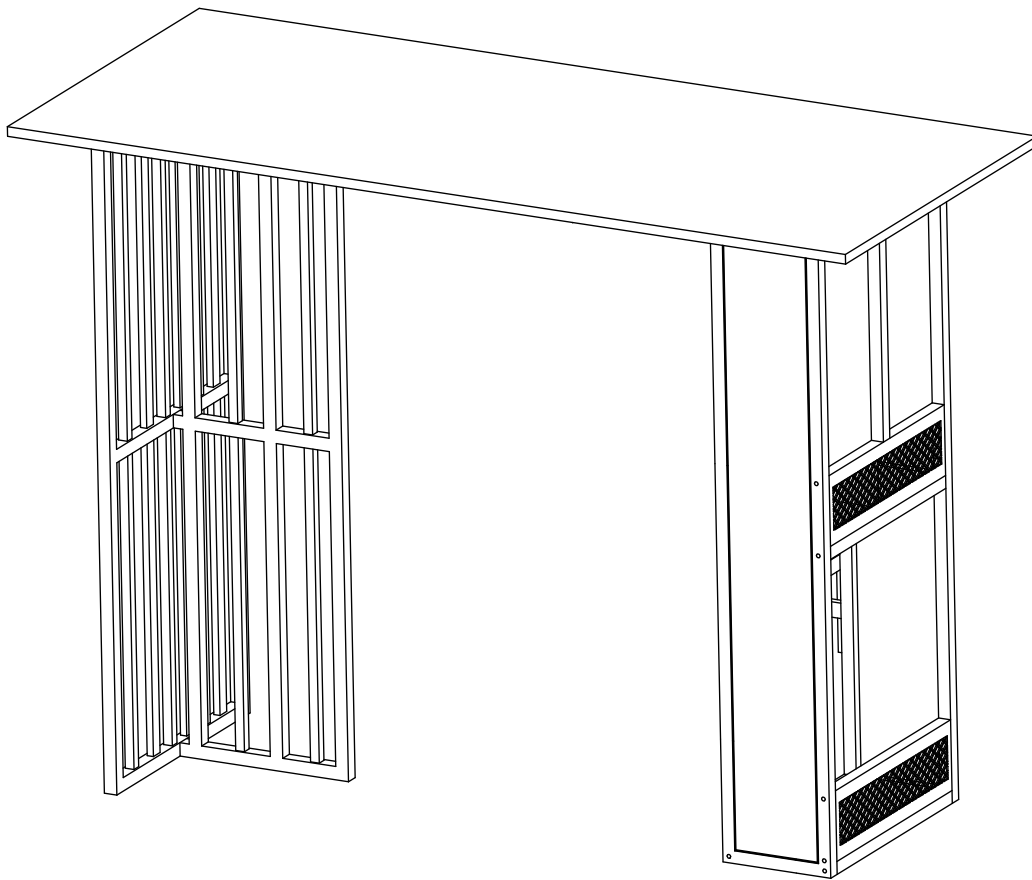


ASSEMBLY INSTRUCTIONS

ITEM NO.WF318310

Dining Table



ASSEMBLY INSTRUCTIONS

ITEM NO.WF318310

Please read these instructions fully before starting assembly:

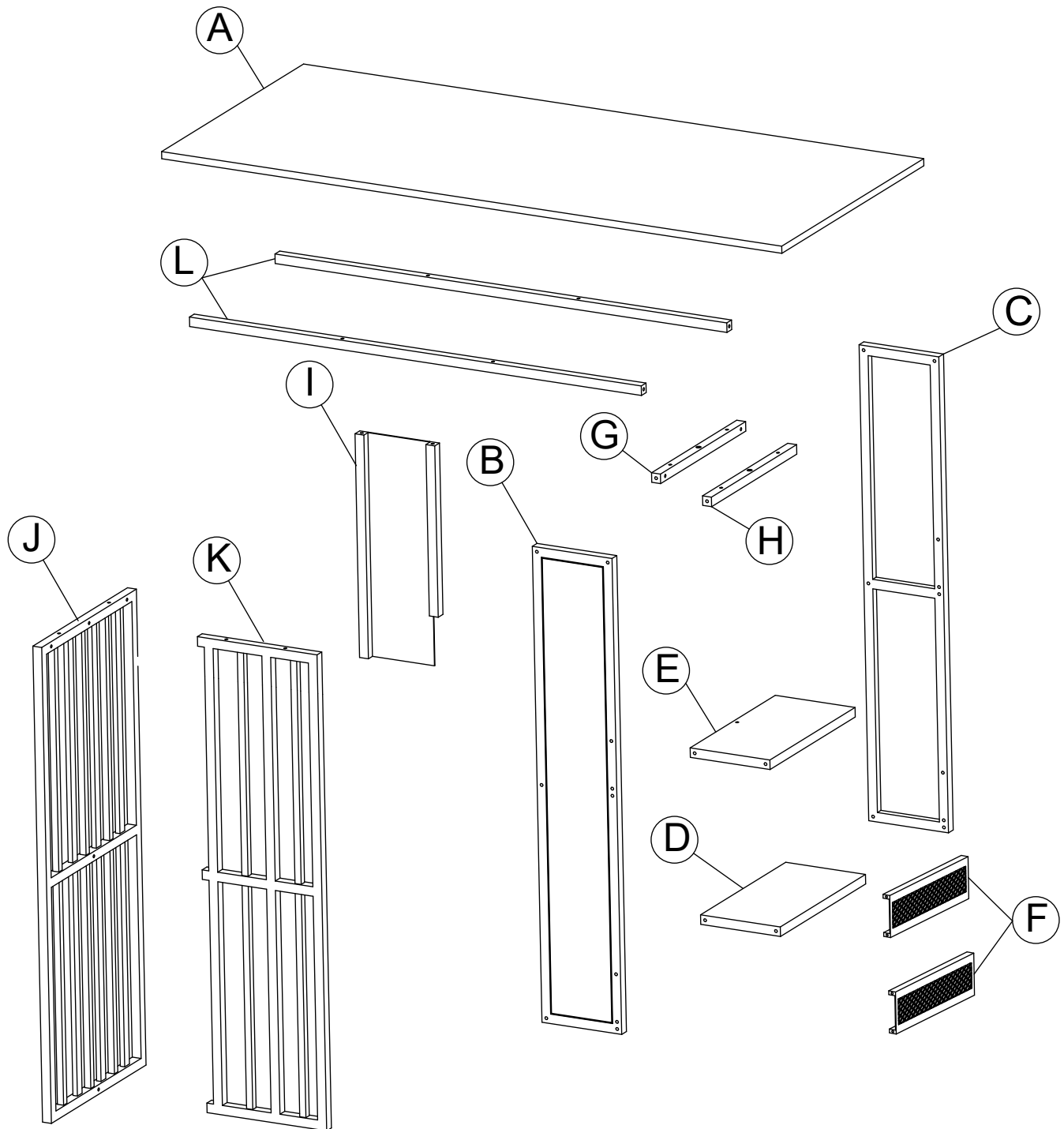
1. Place all wooden parts on a clean and smooth surface such as a rug or carpet to avoid scratching the parts.
2. Kindly follow the assembly instructions step by step.
3. Do not tighten all screws and bolts until the table is fully assembled.
4. Unscrew the protective plastique supports from the metal insert of the table legs before assembly.
5. Parts of the assembly will be easier with 2 people.

Care and maintenance:

Only clean using a damp cloth and mild detergent, do no use bleach or abrasive cleaners.

ASSEMBLY INSTRUCTIONS

ITEM NO.WF318310



ASSEMBLY INSTRUCTIONS

ITEM NO.WF318310

Part List

(A)

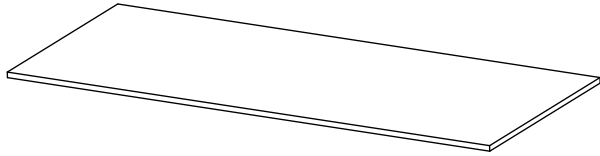


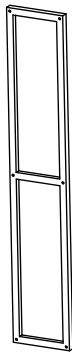
TABLE TOP (1pc)

(B)



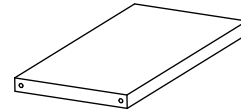
FRONT TABLE LEG FRAME (1pc)

(C)



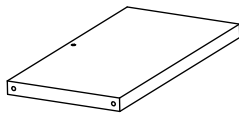
BACK TABLE LEG FRAME (1pc)

(D)



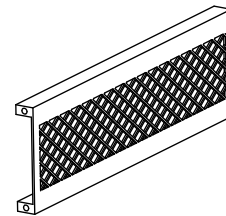
BASEBOARD (1pc)

(E)



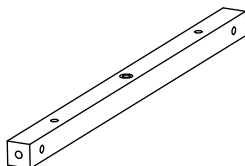
MEDIAN SEPTUM (1pc)

(F)



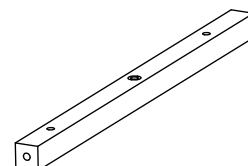
BACK BOARD (2pcs)

(G)



UPPER CONNECTING ROD (1pc)

(H)



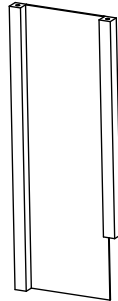
LOWER CONNECTING ROD (1pc)

ASSEMBLY INSTRUCTIONS

ITEM NO.WF318310

Part List

I



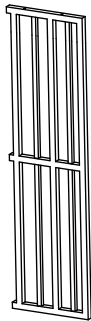
MEDIAN SEPTUM (1pc)

J



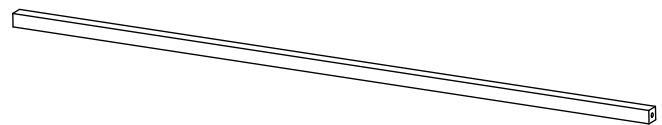
SIDE FRAME (1pc)

K



MEDIAN SEPTUM (1pc)

L



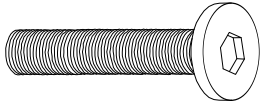
CONNECTING ROD (2pcs)

ASSEMBLY INSTRUCTIONS

ITEM NO.WF318310

Hardware List

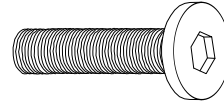
①



Ø 5/16" x 40 mm

BOLT (24 pcs)

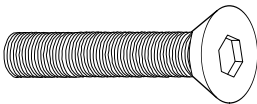
②



Ø 5/16" x 35 mm

BOLT (4 pcs)

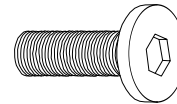
③



Ø 5/16" x 40 mm

BOLT (2 pcs)

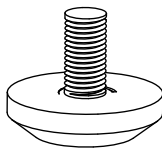
④



Ø 5/16" x 30 mm

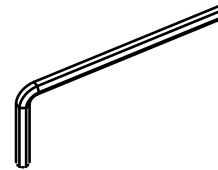
BOLT (12 pcs)

⑤



ADJUSTABLE FOOT (7 pcs)

⑥



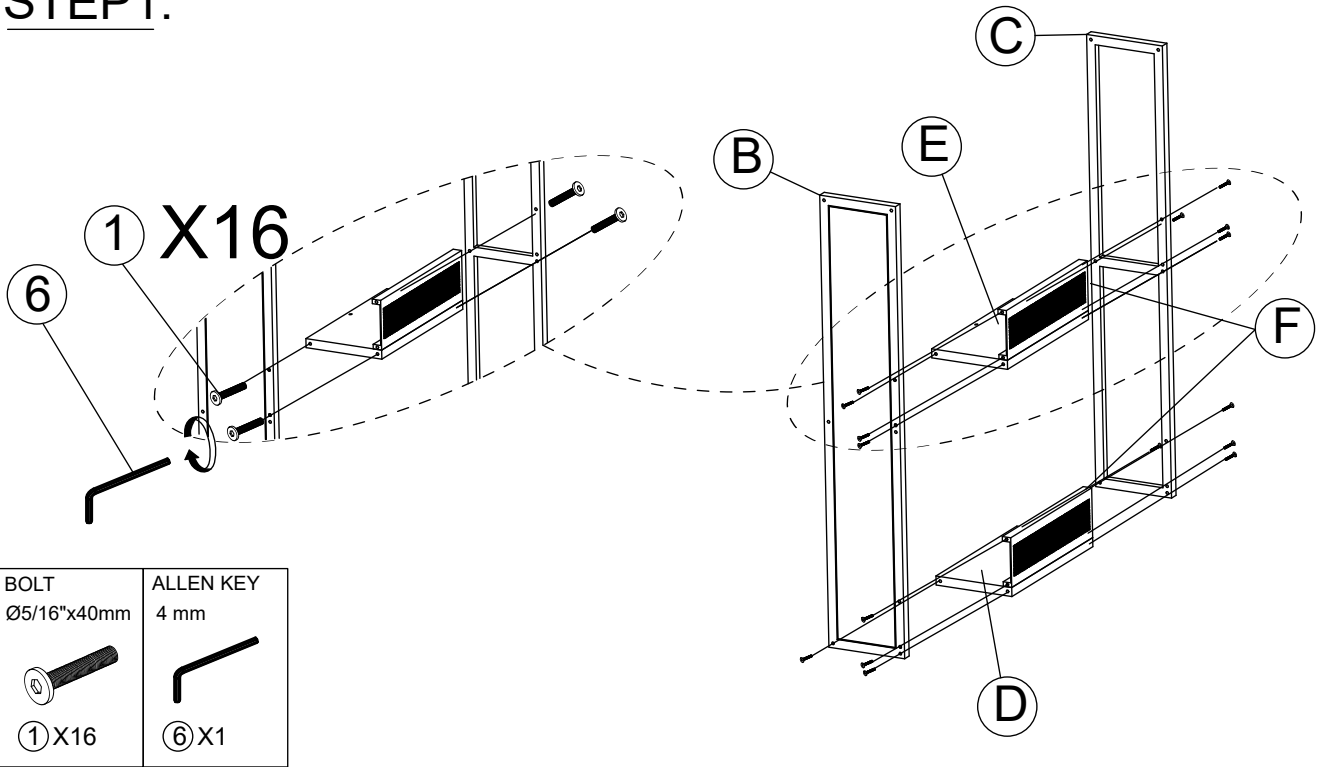
4 mm

ALLEN KEY (1 pc)

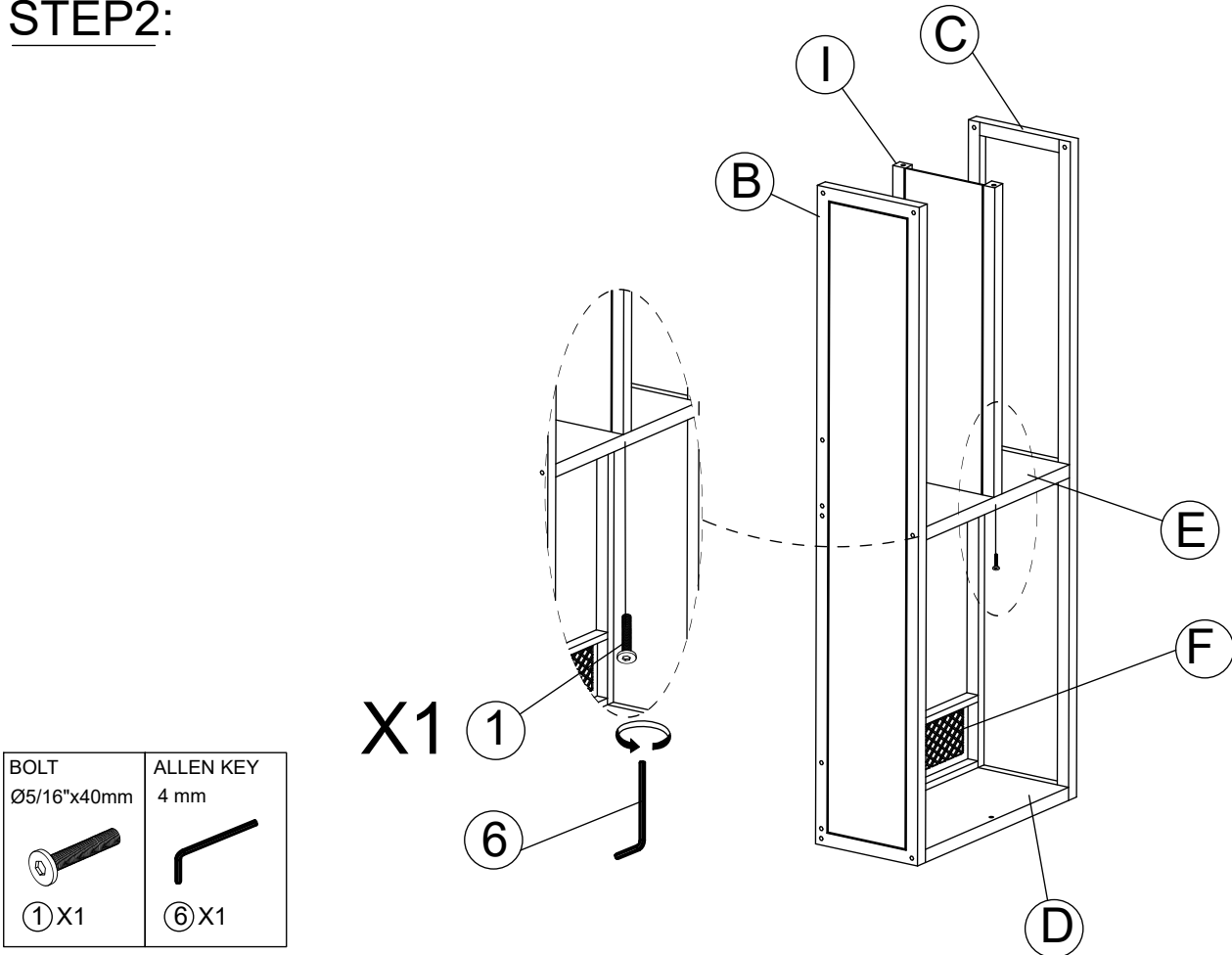
ASSEMBLY INSTRUCTIONS

ITEM NO.WF318310

STEP1:



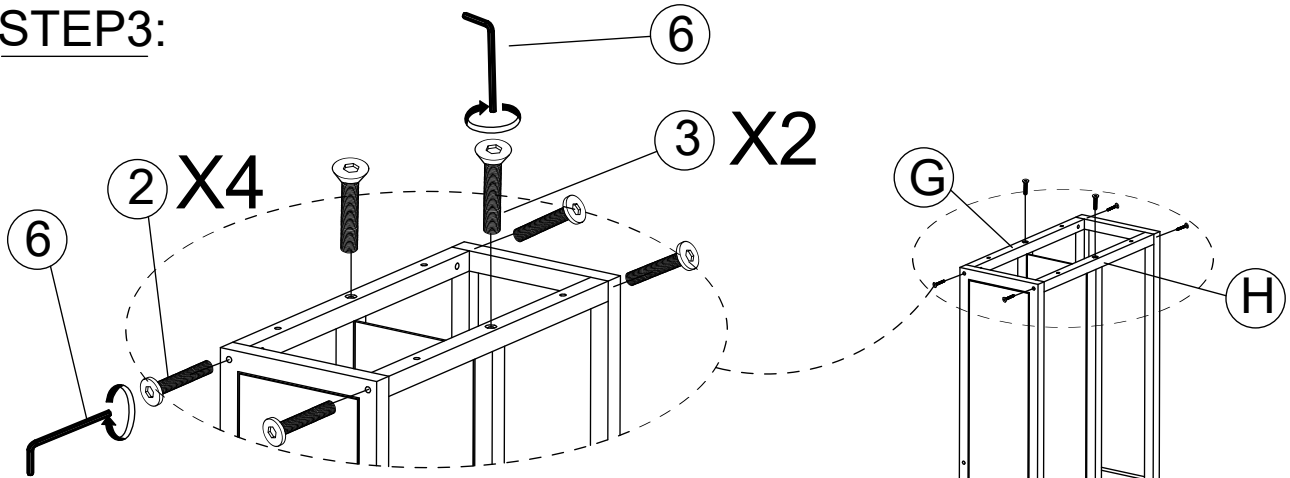
STEP2:


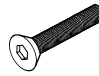



ASSEMBLY INSTRUCTIONS

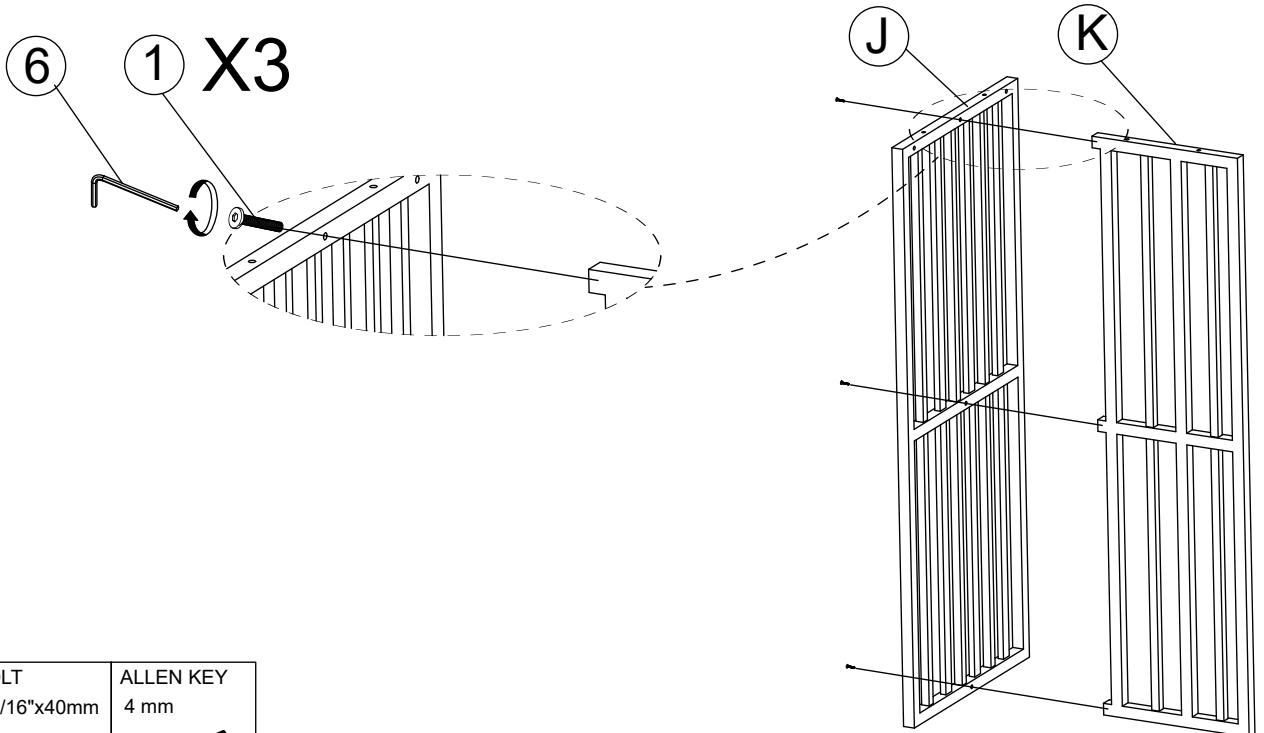
ITEM NO.WF318310



STEP3:



BOLT Ø5/16"x35mm  ② X4	BOLT Ø5/16"x40mm  ③ X2	ALLEN KEY 4 mm  ⑥ X1
--	--	--

STEP4:

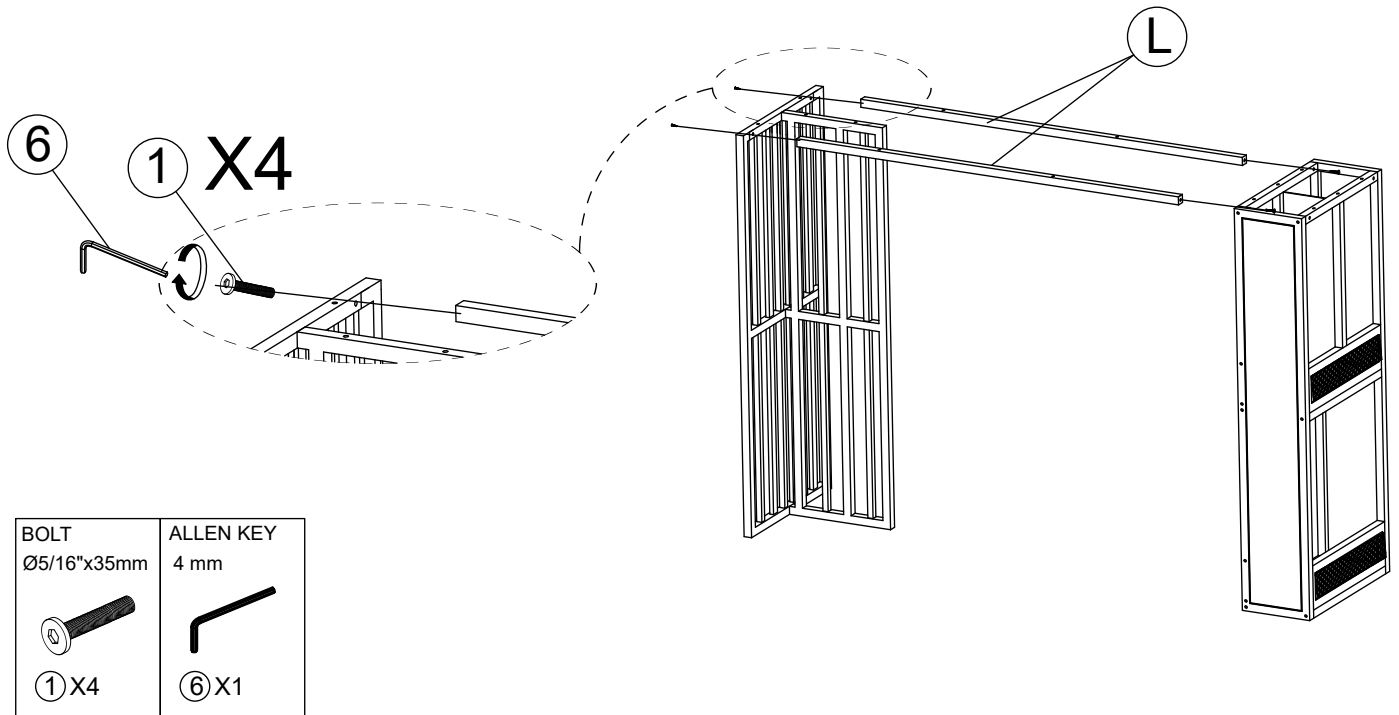


BOLT Ø5/16"x40mm  ① X3	ALLEN KEY 4 mm  ⑥ X1
--	--

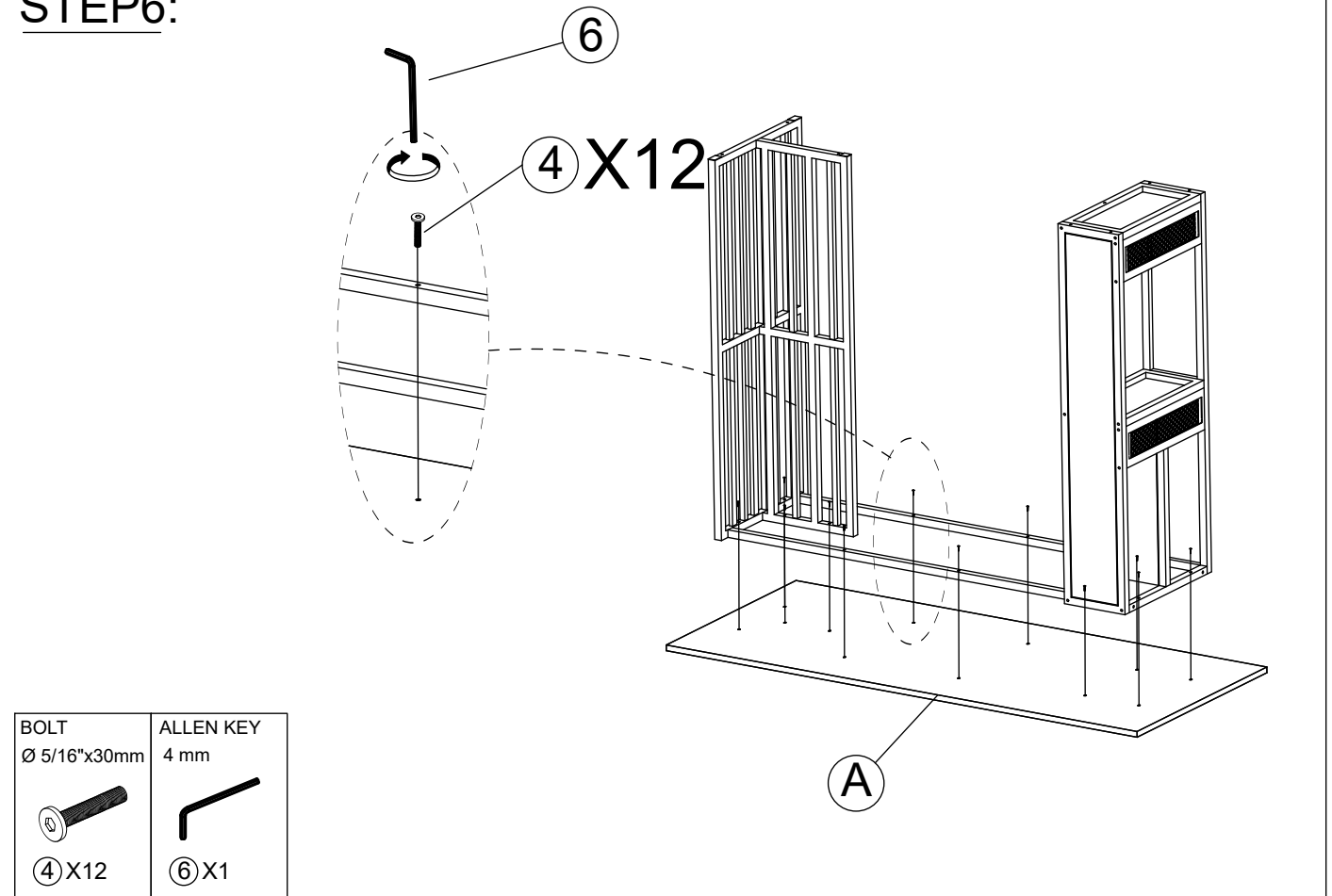
ASSEMBLY INSTRUCTIONS

ITEM NO.WF318310

STEP5:



STEP6:



ASSEMBLY INSTRUCTIONS

ITEM NO.WF318310

COMPLETE

