

# ASSEMBLY INSTRUCTION

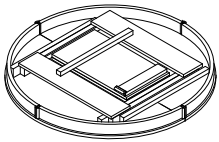
ITEM: WF298829

## Important note:

1. Place all wooden parts on a clean and smooth surface such as a rug or carpet to avoid scratching the parts.
2. Kindly follow the assembly instructions step by step.
3. Do not tighten all screws and bolts until the table is fully assembled.
4. Unscrew the protective plastique supports from the metal insert of the table legs before assembly.

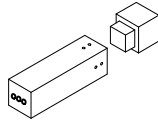
## PARTS IDENTIFICATION

**A** Table Top



1pc

**B** Pedestal



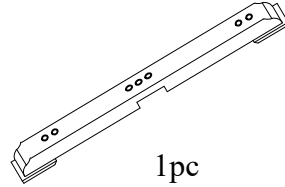
1pc

**C** Table Leg



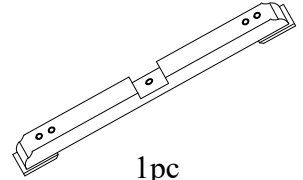
4pcs

**D** Table Base



1pc

**E** Table Base



1pc

## HARDWARE IDENTIFICATION

**1** Long Bolt

Ø5/16"X65mm



5pcs

**2** Bolt

Ø5/16"X38mm



8pcs

**3** Spring Washer

Ø5/16"X11mm



13pcs

**4** Flat Washer

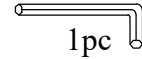
Ø5/16"X19mm



13pcs

**5** Allen Key

M4



1pc

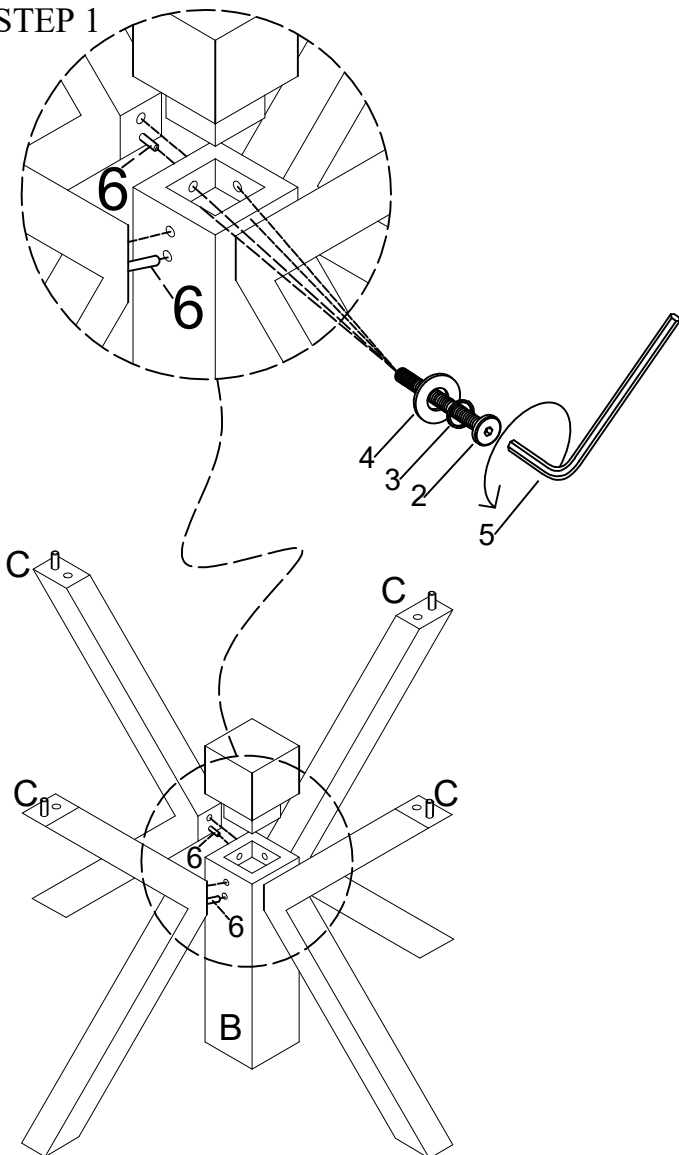
**6** Wood Dowel

Ø10\*30mm

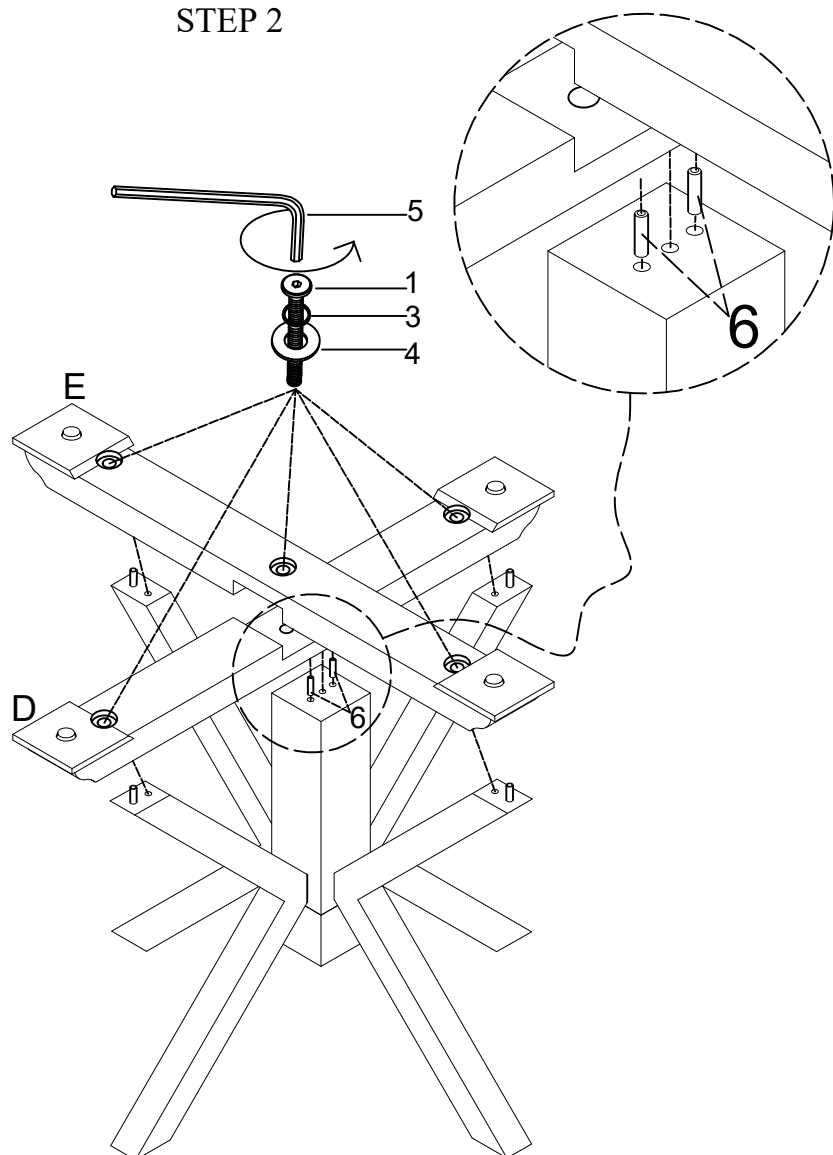


6pcs

## STEP 1



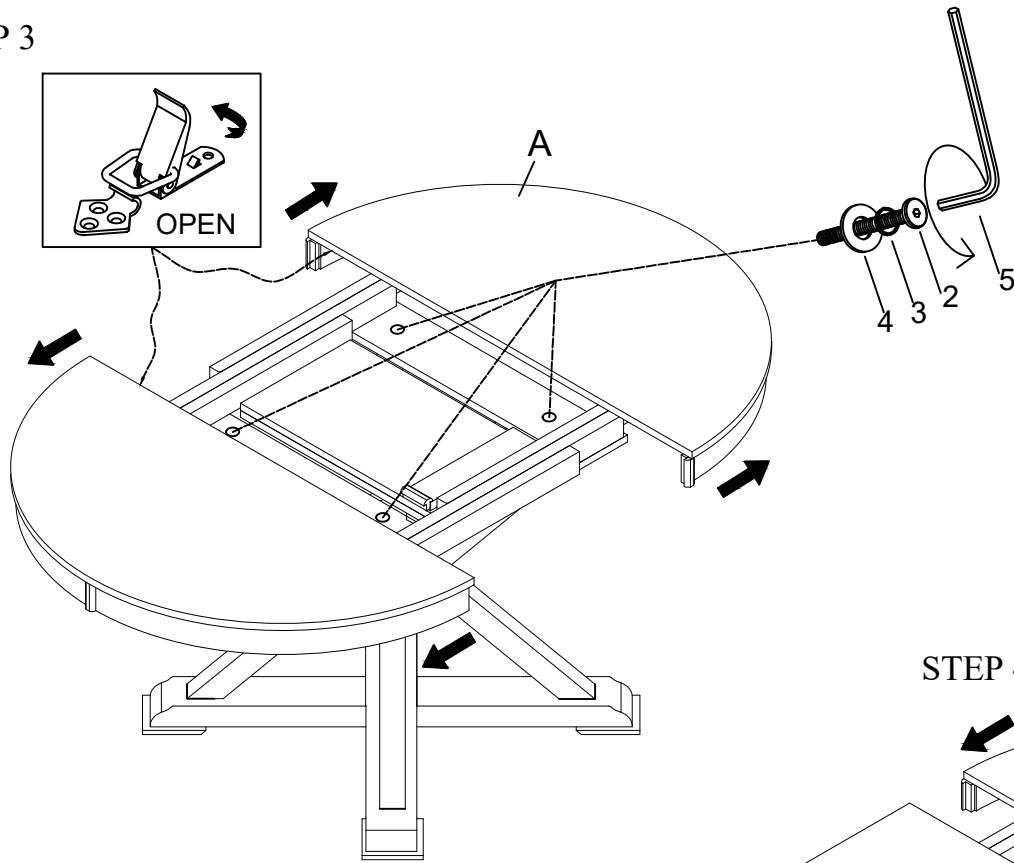
## STEP 2



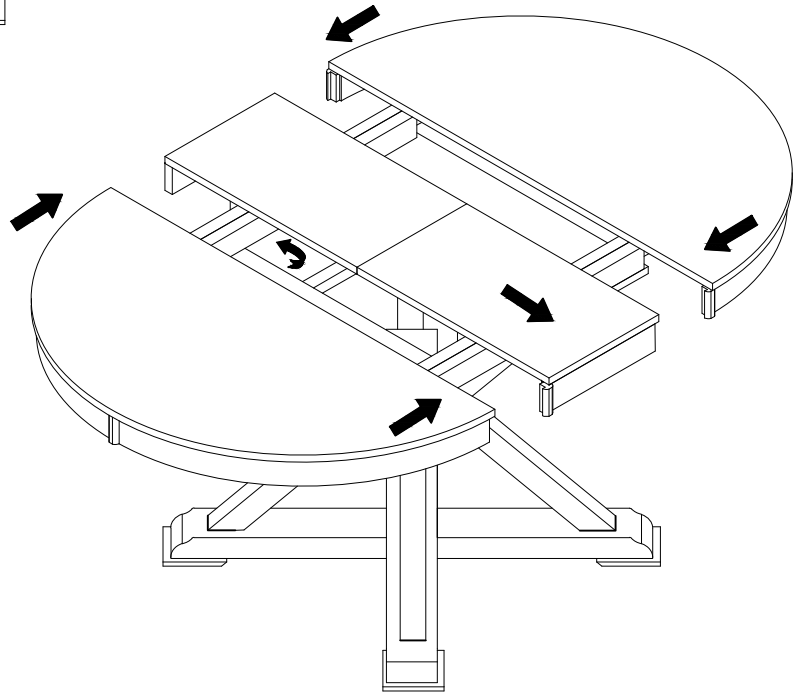
# ASSEMBLY INSTRUCTION

## ITEM: WF298829

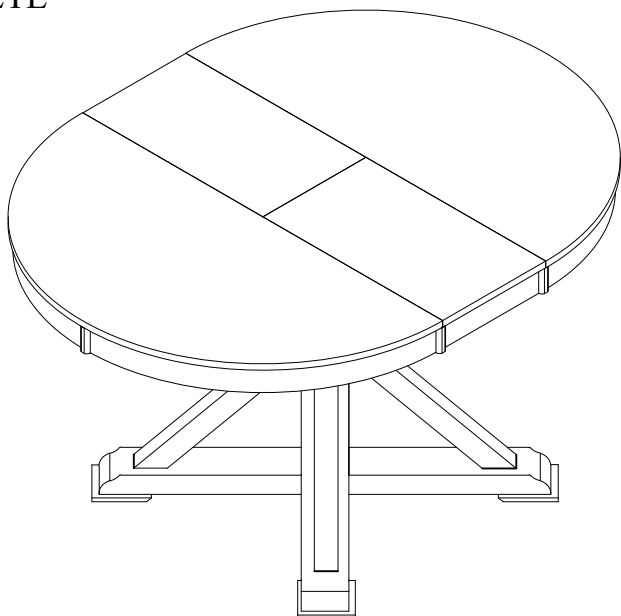
STEP 3



STEP 4



COMPLETE



# ASSEMBLY INSTRUCTION

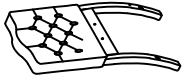
## ITEM: WF298830

**Important note:**

1. Place all wooden parts on a clean and smooth surface such as a rug or carpet to avoid scratching the parts.
2. Kindly follow the assembly instructions step by step.
3. Do not tighten all screws and bolts until the table is fully assembled.
4. Unscrew the protective plastique supports from the metal insert of the legs before assembly.

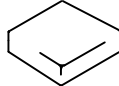
### PARTS IDENTIFICATION

**A** Chair Back



1pc

**B** Seat cushion



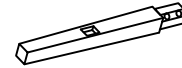
1pc

**C** Left Leg



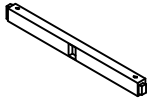
1pc

**D** Right Leg



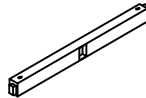
1pc

**E** Left Stretcher



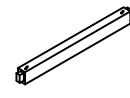
1pc

**F** Right Stretcher




1pc

**G** Center Stretcher





1pc


### HARDWARE IDENTIFICATION

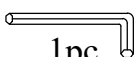
- 1** Bolt  
Ø5/16"X38mm  
 2pcs

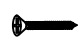
- 2** Long Bolt  
Ø5/16"X50mm  
 4pcs

- 3** Bolt  
Ø5/16"X80mm  
 4pcs

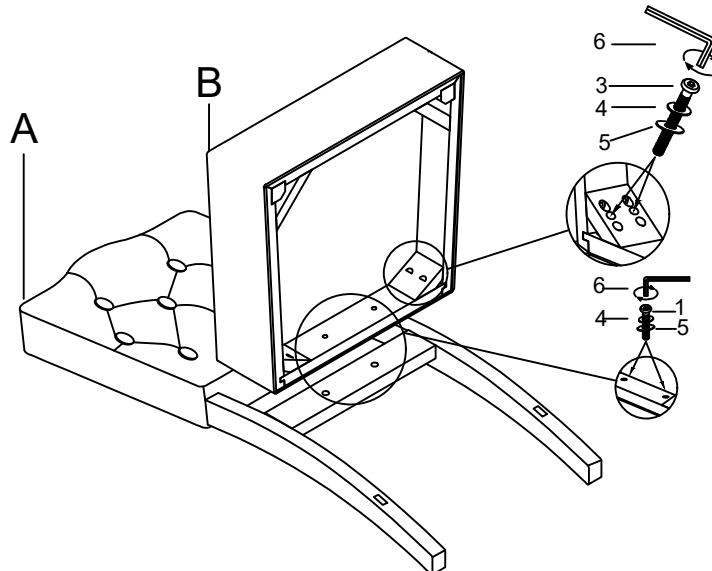
- 4** Spring Washer  
Ø5/16"X11mm  
 10 pcs

- 5** Flat Washer  
Ø5/16"X19mm  
 10 pcs

- 6** Allen Key  
M4  
 1pc

- 7** Wood screw  
#8X38mm  
 6pcs

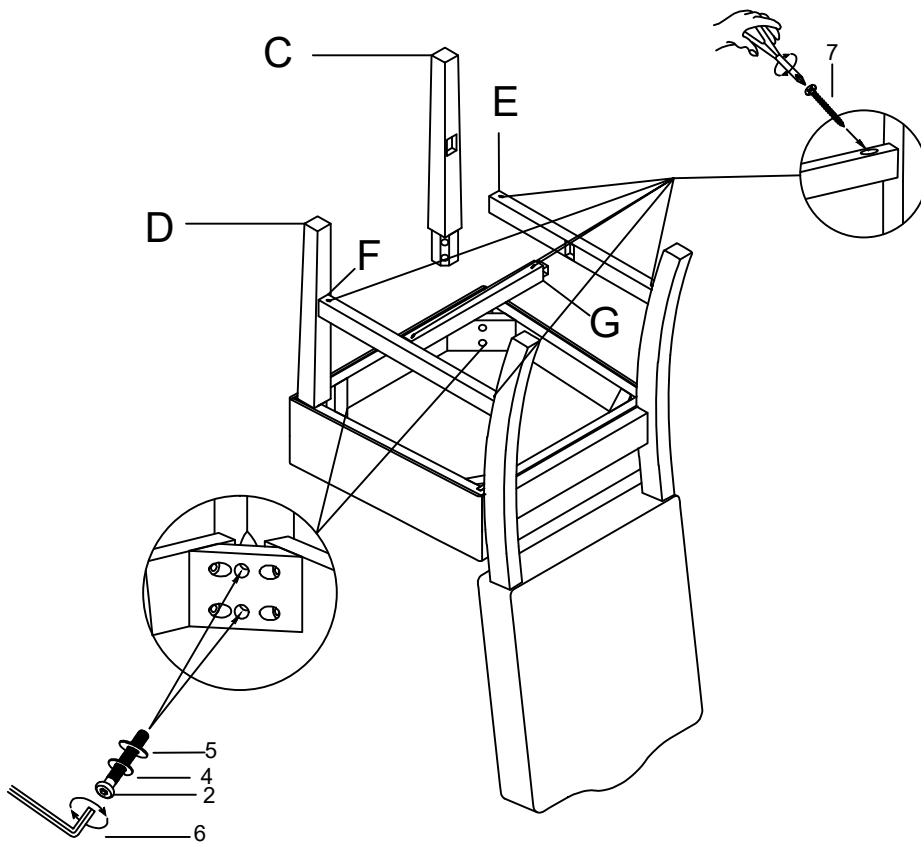
### STEP 1



# ASSEMBLY INSTRUCTION

## ITEM: WF298830

### STEP 2



### COMPLETE

