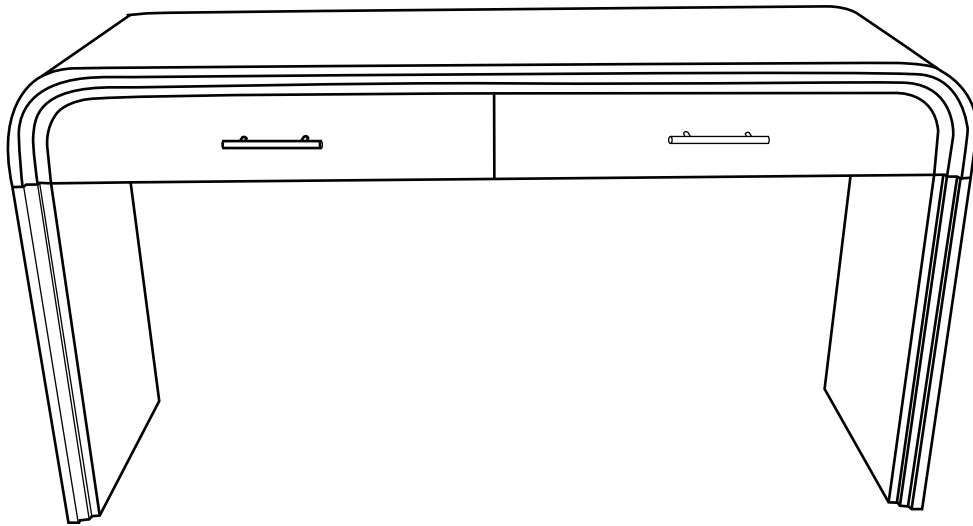


ASSEMBLY INSTRUCTION  
ITEM:WF317094  
SIDEBOARD



# ASSEMBLY INSTRUCTION

## ITEM:WF317094

Please read these instructions fully before starting assembly :

Tools required: Phillips screwdriver(medium & large)

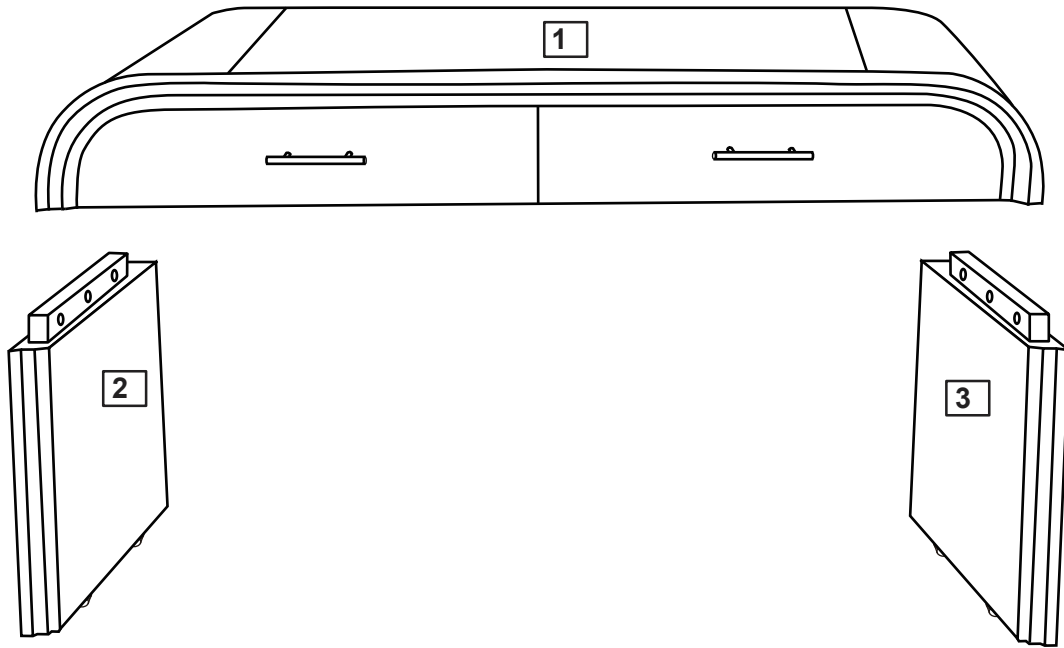
- 1.Check you have all the components and tools listed on the following pages.
- 2.Remove all fittings from the plastic bags and separate them into their groups.
- 3.Keep children and animals away from the work area, small parts could choke if swallowed.
- 4.Make sure you have enough space to layout the parts before starting.
- 5.During assembly do not stand or put weight on the product, this could cause damage.
- 6.Assemble the item as close to its final position (in the same room) as possible.
- 7.Assemble on a soft level surface to avoid damaging the unit or your floor.
- 8.Parts of the assembly will be easier with 2 people.
- 9.To reduce the likelihood of damaging your product please ensure that your power drill is set on a low torque setting.
- 10.Assemble all parts and bolts loosely during assembly, only once the product is complete should you fully tighten the bolts.
- 11.Regularly check and ensure That all bolts and fittings are tightend properly.
- 12.Please do not place items that exceed the load capacity.

### Care and maintenance

Only clean using a damp cloth and mild detergent, do no use bleach or abrasive cleaners.

# ASSEMBLY INSTRUCTION

## ITEM:WF317094

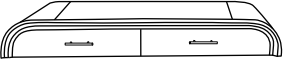




# Part List

## ITEM:WF317094

Please check you have all the panels listed below

**Note:** The quantities below are the correct amount to complete the assembly. In some cases more fittings may be supplied than are required.

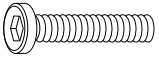
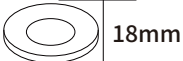

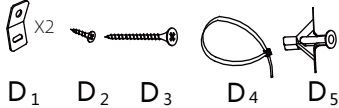

<p>①</p>  <p>Top Panel                      1 PC</p>	<p>②</p>  <p>Left Panel                      1 PC</p>	<p>③</p>  <p>Right Panel                      1 PC</p>
---	--	--

# Hardware list

## ITEM:WF317094

Please check you have all the panels listed below

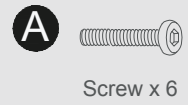
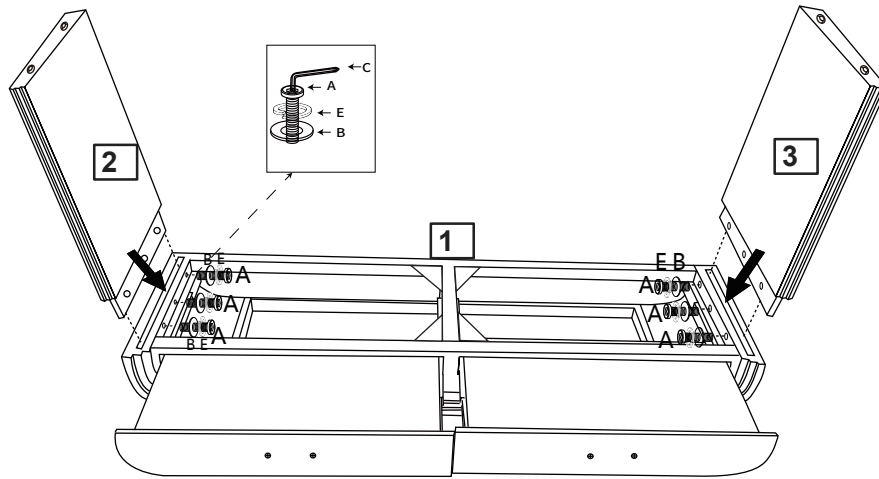
**Note:** The quantities below are the correct amount to complete the assembly. In some cases more fittings may be supplied than are required.

<p><b>A</b></p>  <p>7*45mm Screw x 6</p>	<p><b>B</b></p>  <p>18mm</p> <p>B x 6</p>	<p><b>C</b></p>  <p>C x 1</p>	<p><b>D</b></p>  <p>D<sub>1</sub> D<sub>2</sub> D<sub>3</sub> D<sub>4</sub> D<sub>5</sub></p> <p>D x 1</p>
<p><b>E</b></p>  <p>E x 6</p>			

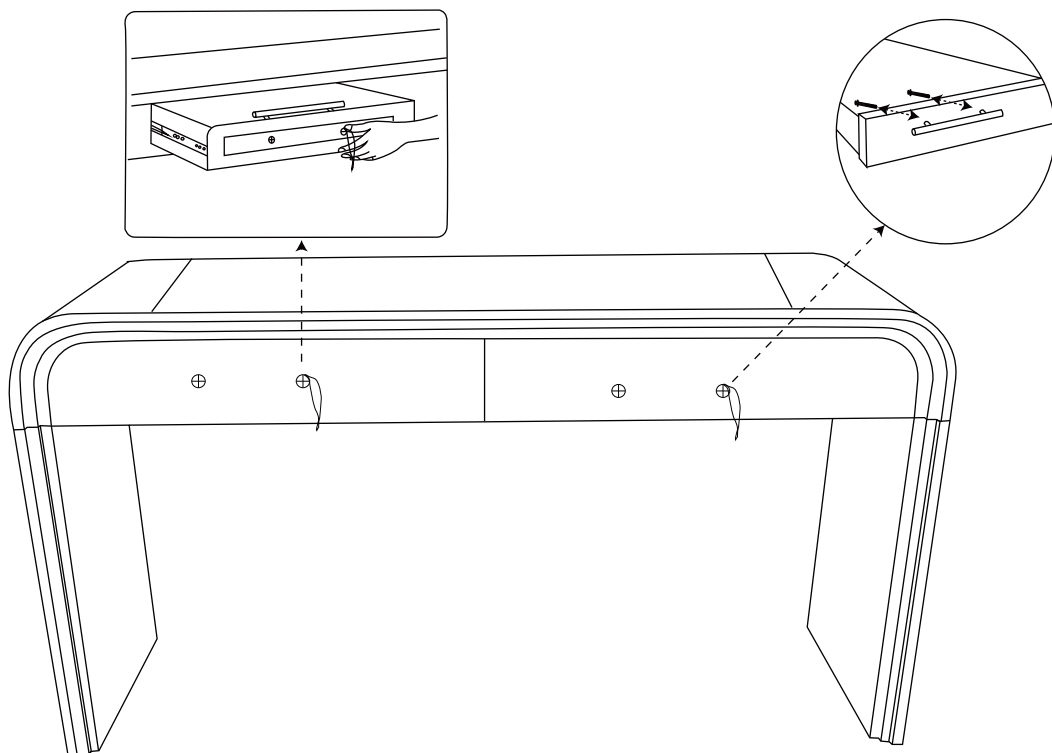
# ASSEMBLY INSTRUCTION

## ITEM:WF317094

### Step 1



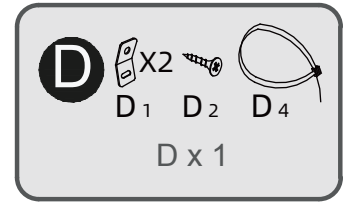
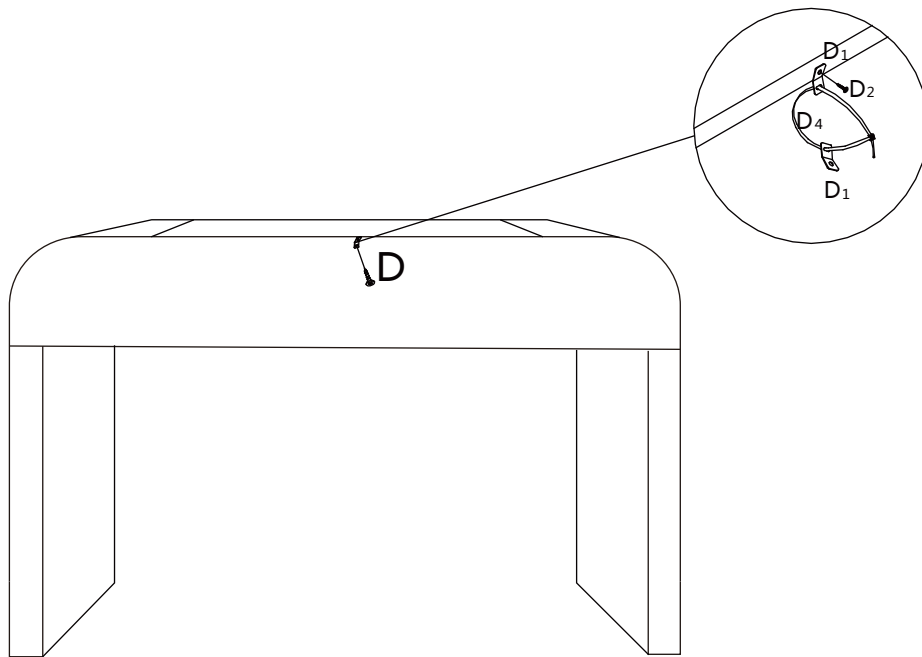
### Step 2



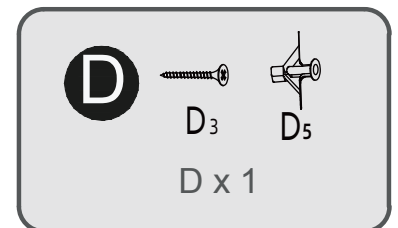
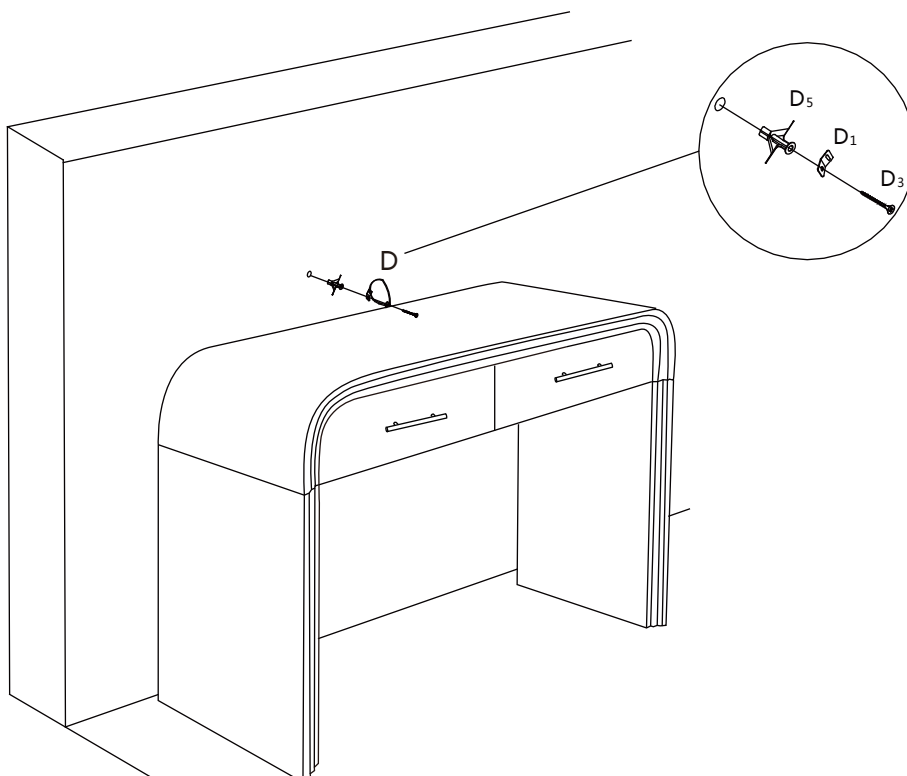
# ASSEMBLY INSTRUCTION

## ITEM:WF317094

### Step 3



### Step 4



Assembly is complete.