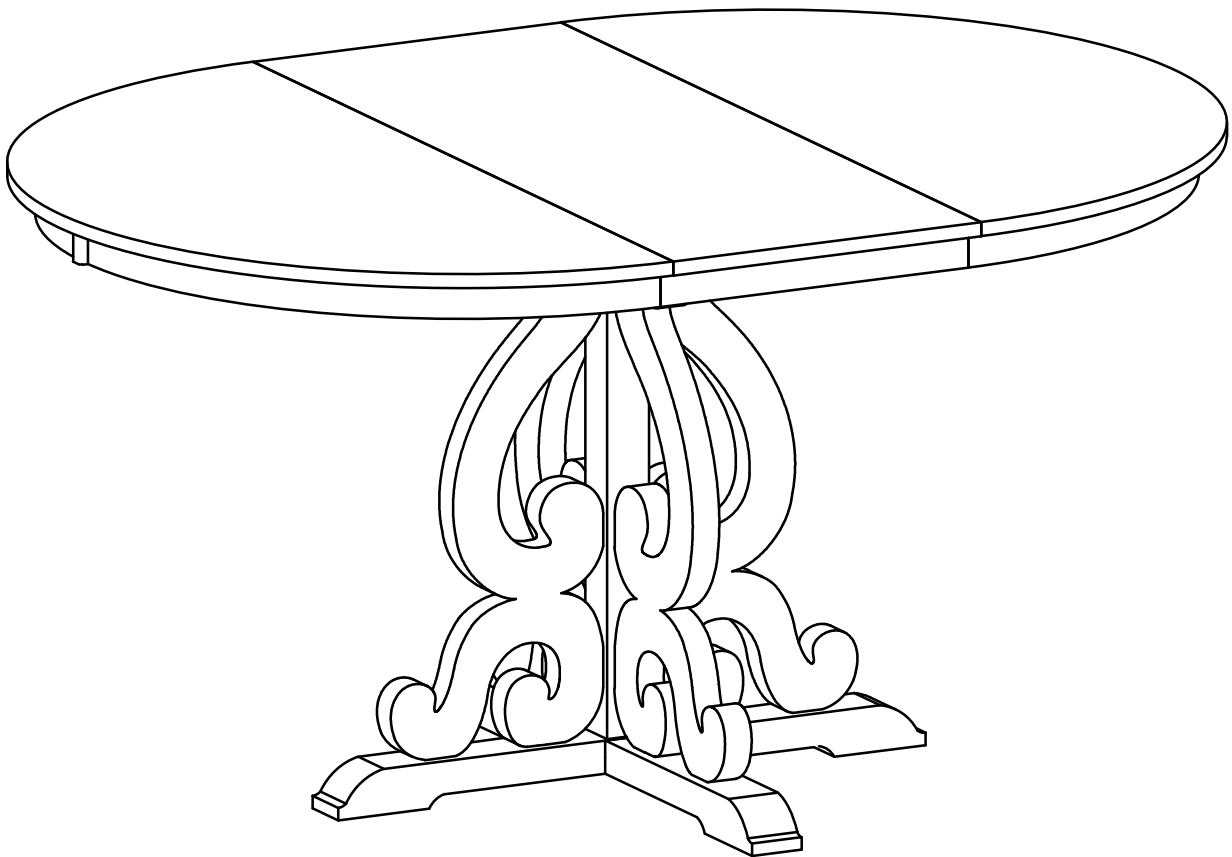


ASSEMBLY INSTRUCTIONS

ITEM NO.WF318789

Dining Table



ASSEMBLY INSTRUCTIONS

ITEM NO.WF318789

Please read these instructions fully before starting assembly:

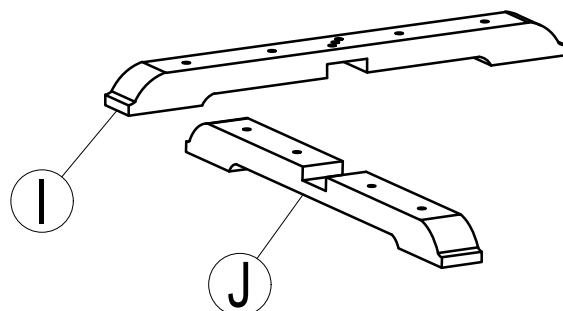
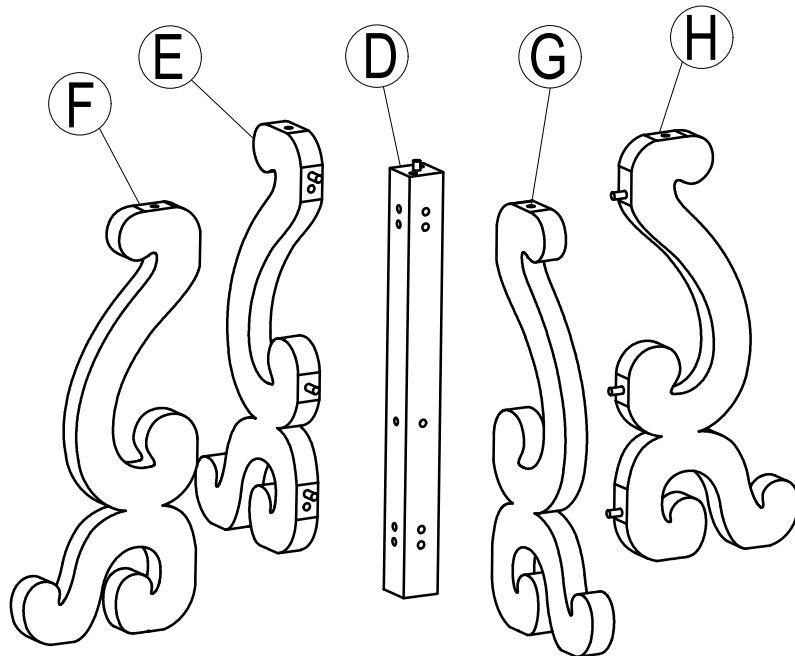
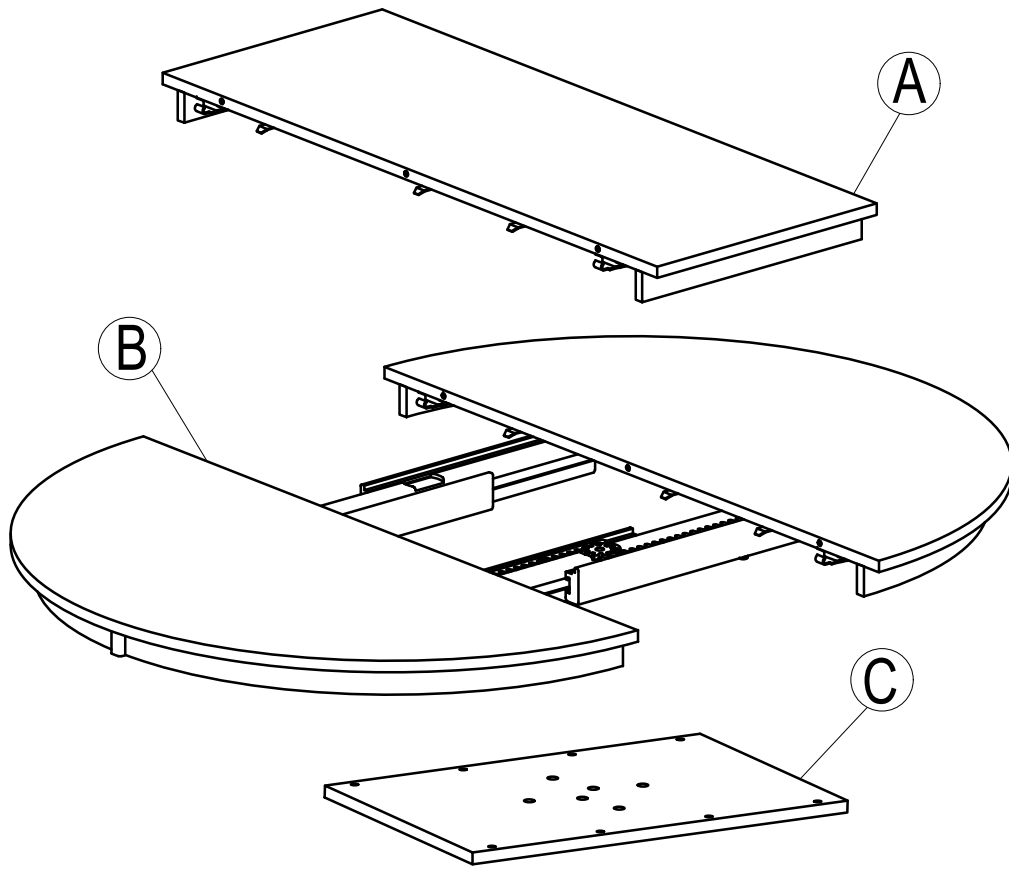
1. Place all wooden parts on a clean and smooth surface such as a rug or carpet to avoid scratching the parts.
2. Kindly follow the assembly instructions step by step.
3. Do not tighten all screws and bolts until the table is fully assembled.
4. Unscrew the protective plastique supports from the metal insert of the table legs before assembly.
5. Parts of the assembly will be easier with 2 people.

Care and maintenance:

Only clean using a damp cloth and mild detergent, do not use bleach or abrasive cleaners.

ASSEMBLY INSTRUCTIONS

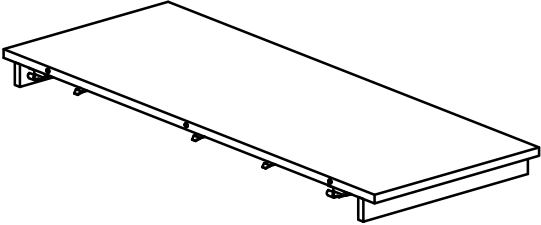
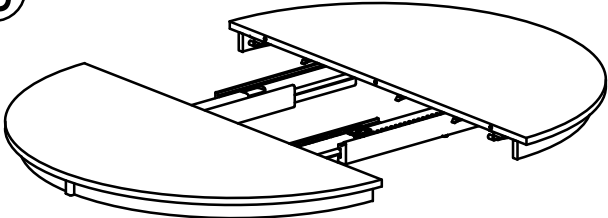
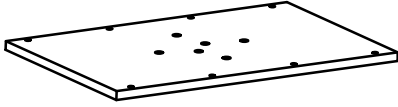
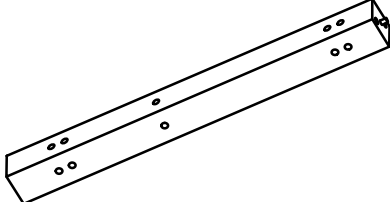
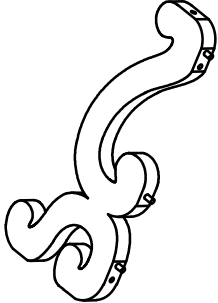
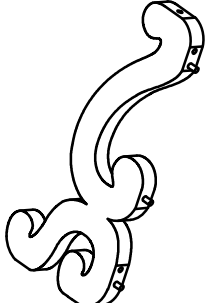
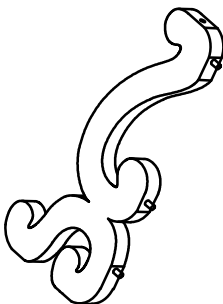
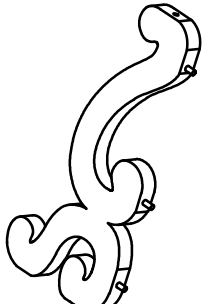
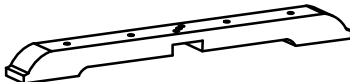
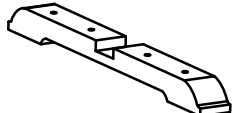
ITEM NO.WF318789



ASSEMBLY INSTRUCTIONS

ITEM NO.WF318789

Part List

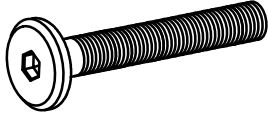
<p>(A)</p> 	<p>(B)</p> 
<p>TABLE TOP BETWEEN (1pc)</p>	<p>TABLE TOP SIDE (1pc)</p>
<p>(C)</p> 	<p>(D)</p> 
<p>PANEL TOP LEG (1pc)</p>	<p>BETWEEN LEG (1pc)</p>
<p>(E)</p> 	<p>(F)</p> 
<p>FRONT DECORATIVE COTTON (1 pc)</p>	<p>RIGHT DECORATIVE COTTON (1 pcs)</p>
<p>(G)</p> 	<p>(H)</p> 
<p>BACK DECORATIVE COTTON (1 pcs)</p>	<p>LEFT DECORATIVE COTTON (1 pcs)</p>
<p>(I)</p> 	<p>(J)</p> 
<p>TOP STRETCHER (1pc)</p>	<p>BOTTOM STRETCHER (1pc)</p>

ASSEMBLY INSTRUCTIONS

ITEM NO.WF318789

Hardware List

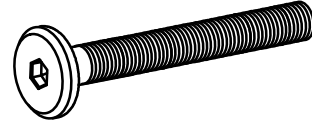
①



Ø 5/16" x 40 mm

BOLT (14 pcs)

②



Ø 5/16" x 55 mm

BOLT (14 pcs)

③



Ø5/16" x 13 mm

FLAT WASHER (28 pcs)

④



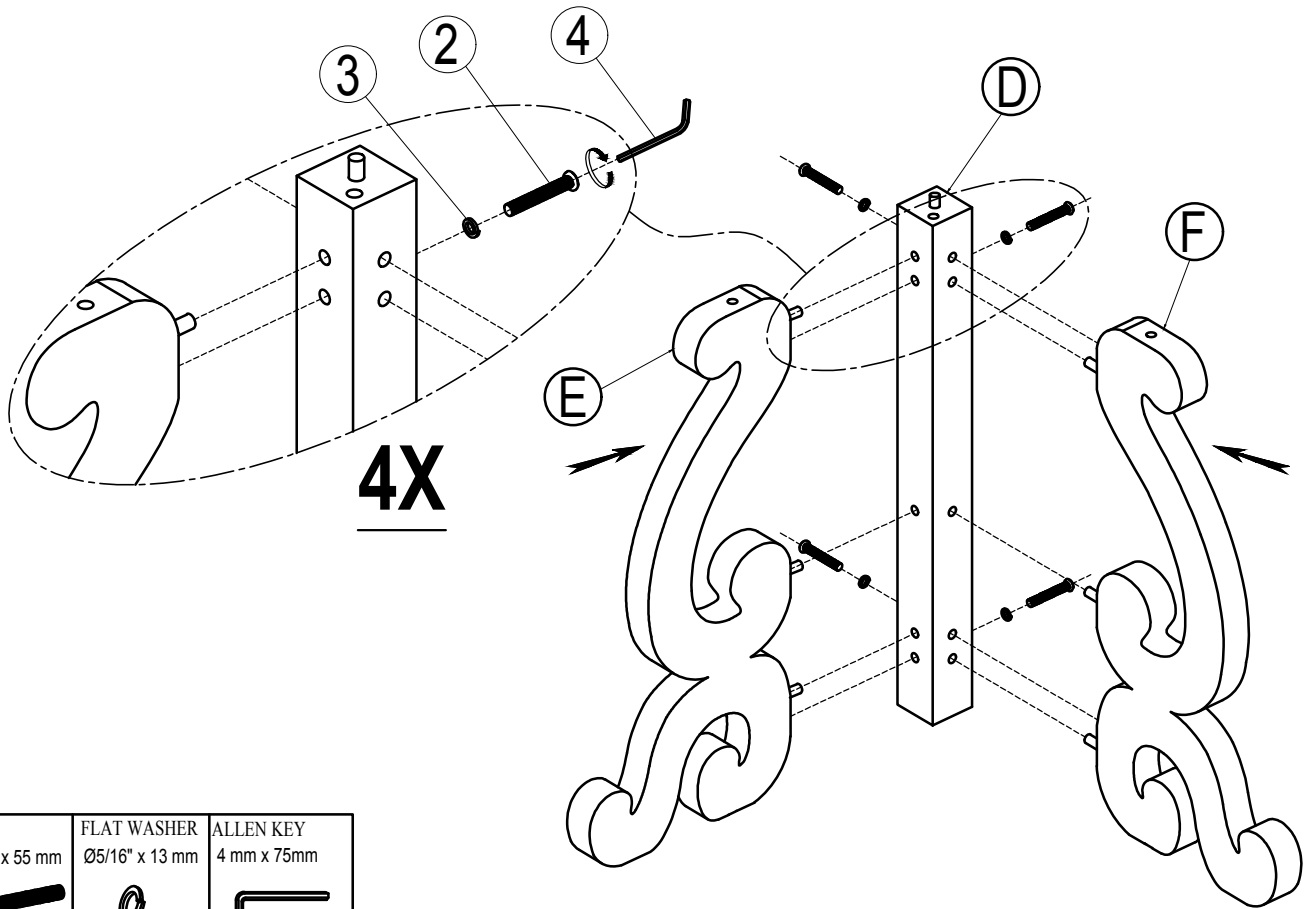
4 mm




ALLEN KEY (1 pc)

ASSEMBLY INSTRUCTIONS

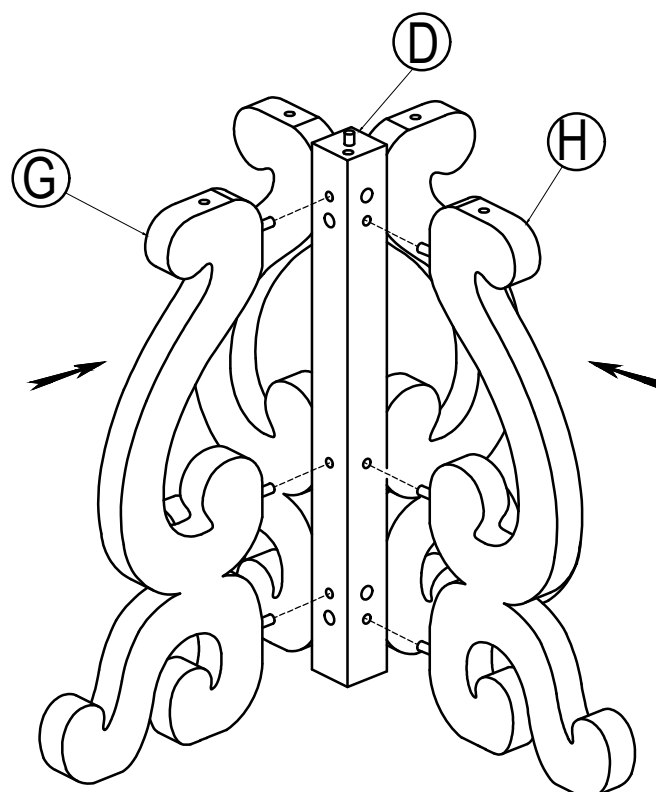
ITEM NO.WF318789

STEP 1:



BOLT	FLAT WASHER	ALLEN KEY
Ø 5/16" x 55 mm	Ø5/16" x 13 mm	4 mm x 75mm
		
② x 4	③ x 4	④ x 1

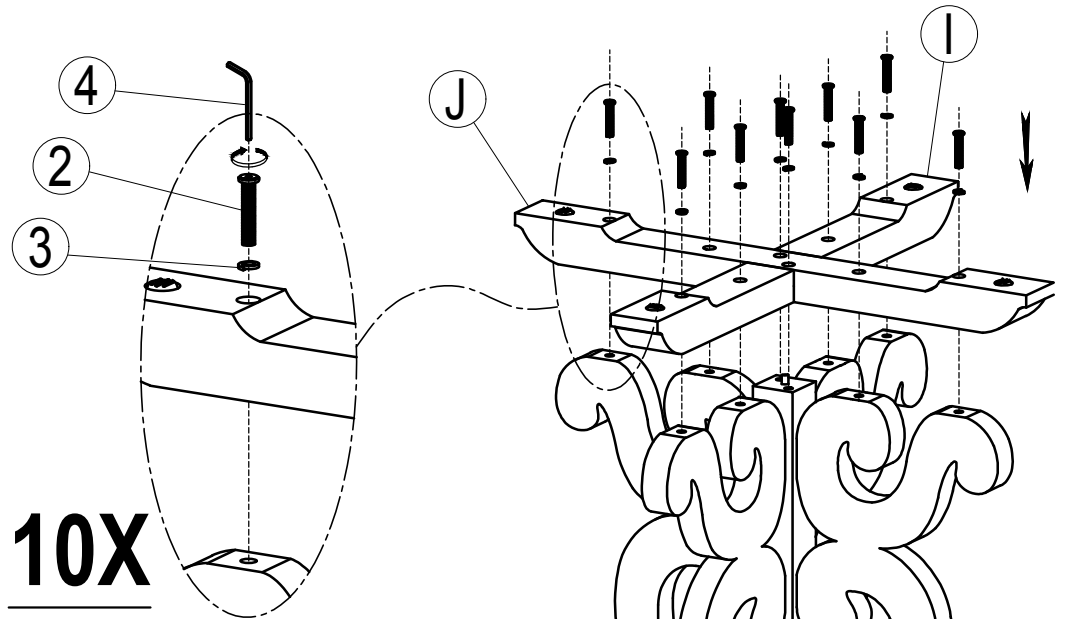
STEP 2:






ASSEMBLY INSTRUCTIONS

ITEM NO.WF318789

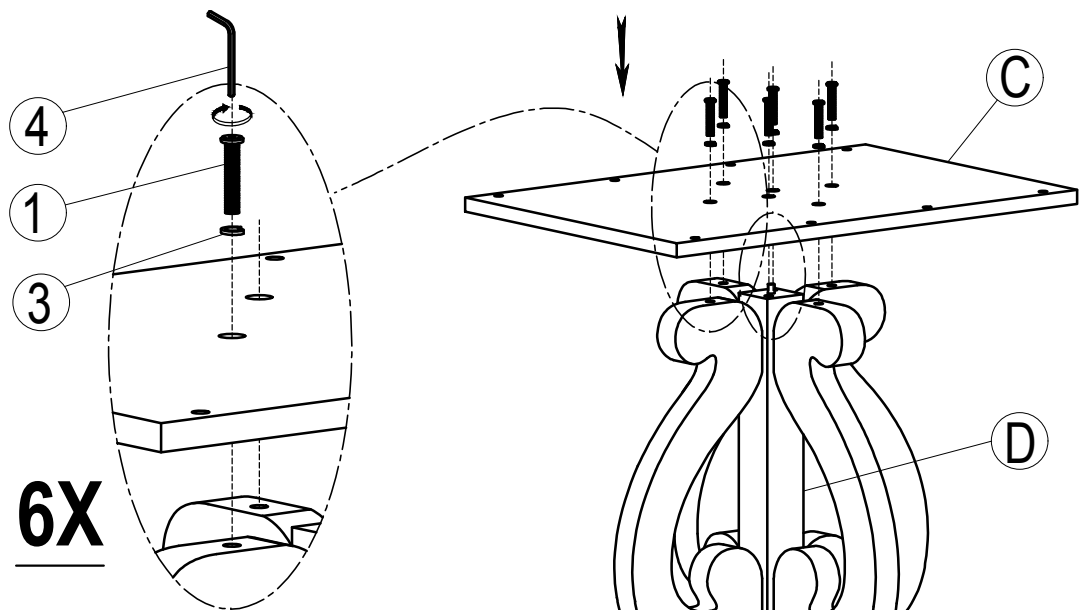
STEP 3:






10X

BOLT	FLAT WASHER	ALLEN KEY
Ø 5/16" x 55 mm	Ø5/16" x 13 mm	4 mm x 75mm
		
② x 10	③ x 10	④ x 1

STEP 4:



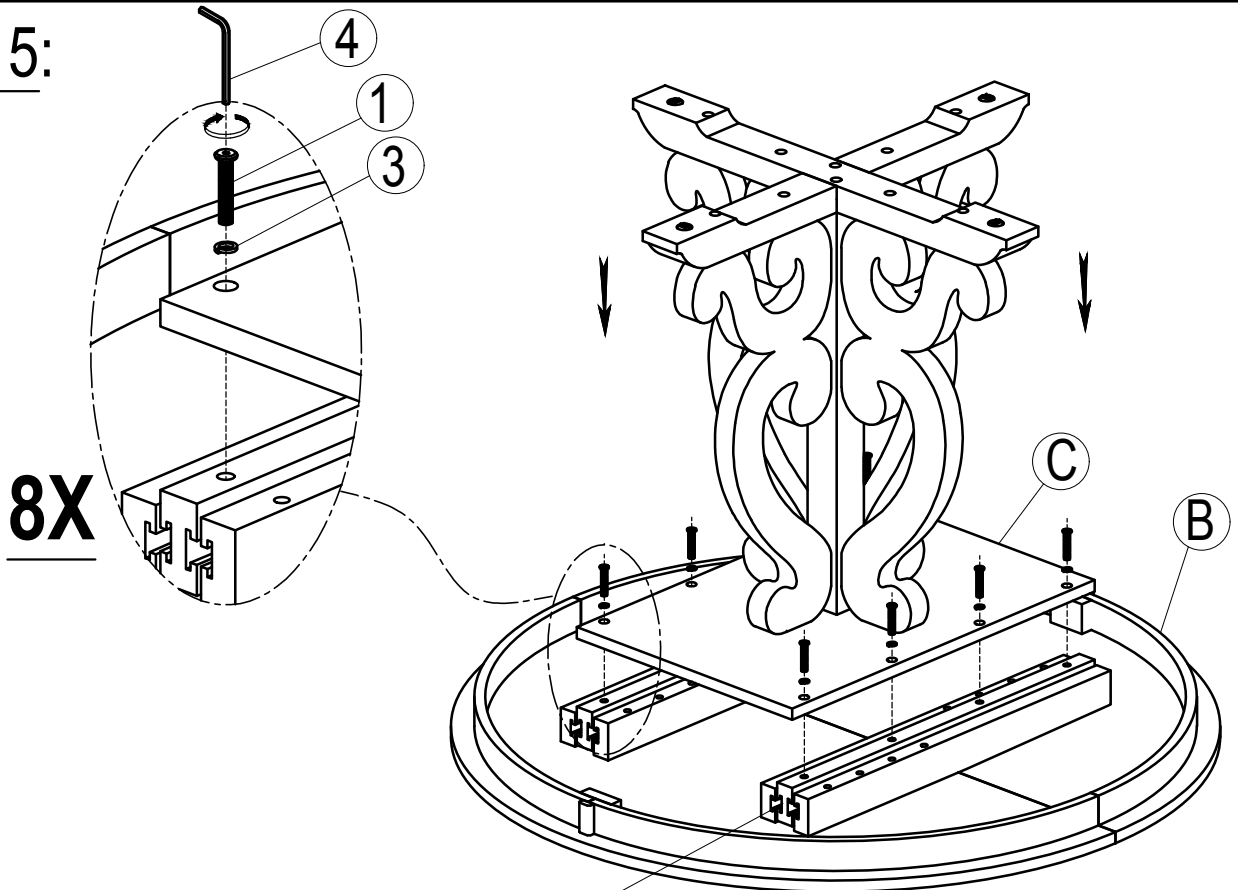
6X




BOLT	FLAT WASHER	ALLEN KEY
Ø 5/16" x 40 mm	Ø5/16" x 13 mm	4 mm x 75mm
		
① x 6	③ x 6	④ x 1

ASSEMBLY INSTRUCTIONS

ITEM NO.WF318789

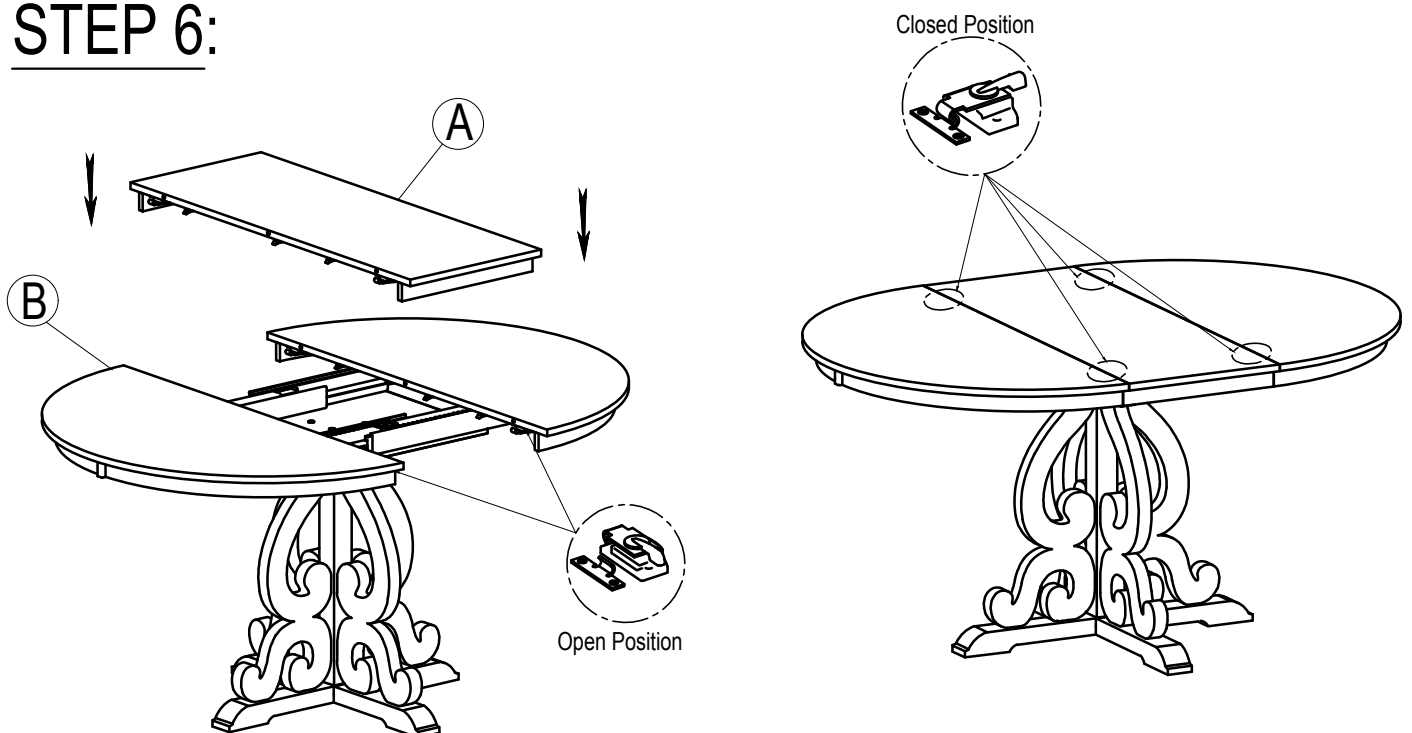
STEP 5:



BOLT	FLAT WASHER	ALLEN KEY
Ø 5/16" x 40 mm	Ø5/16" x 13 mm	4 mm x 75mm
		
① x 8	③ x 8	④ x 1

This part of the slide rail can be moved, if the holes are not aligned during the assembly process please try to move the slide rail to the position shown in the figure end then assemble!

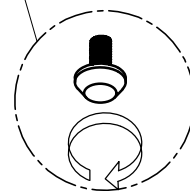
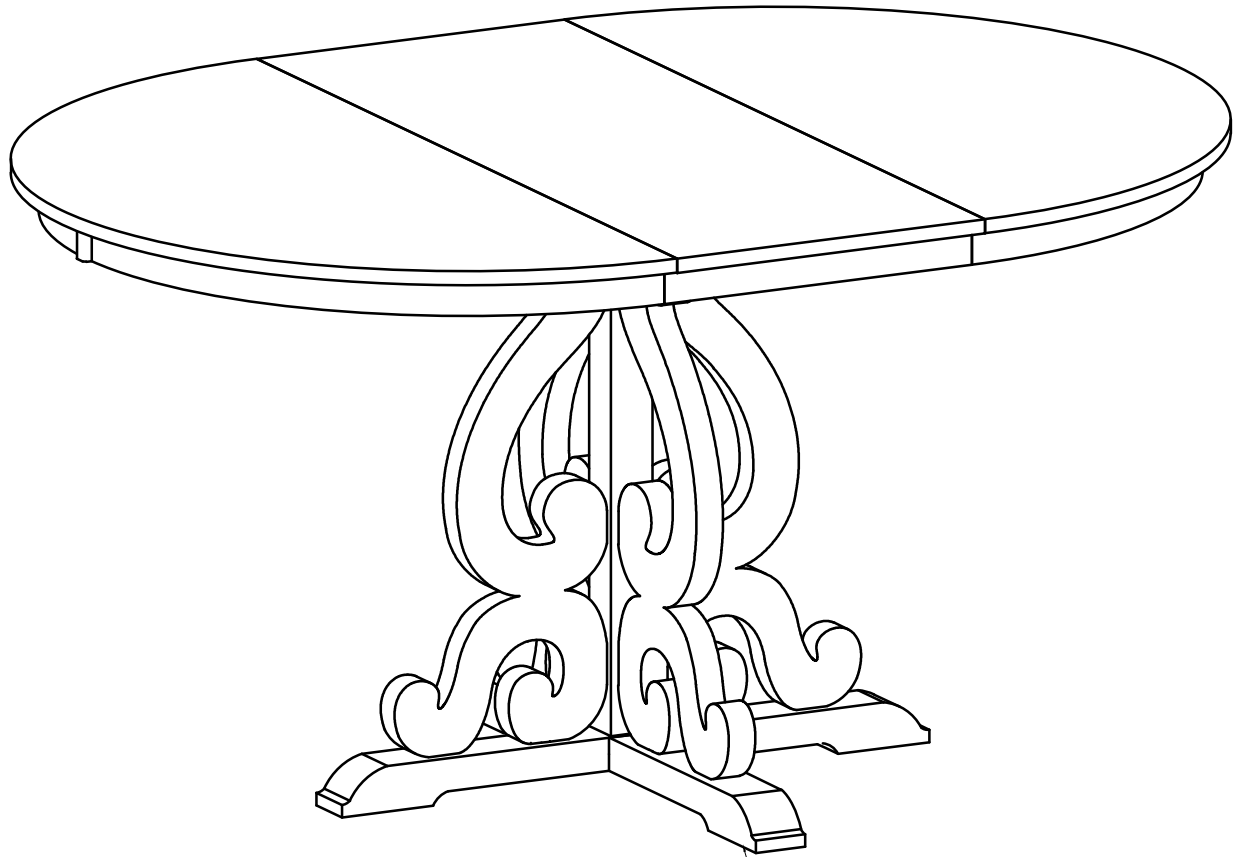
STEP 6:



ASSEMBLY INSTRUCTIONS

ITEM NO.WF318789

COMPLETE



Adjust Leveler = 4 pcs