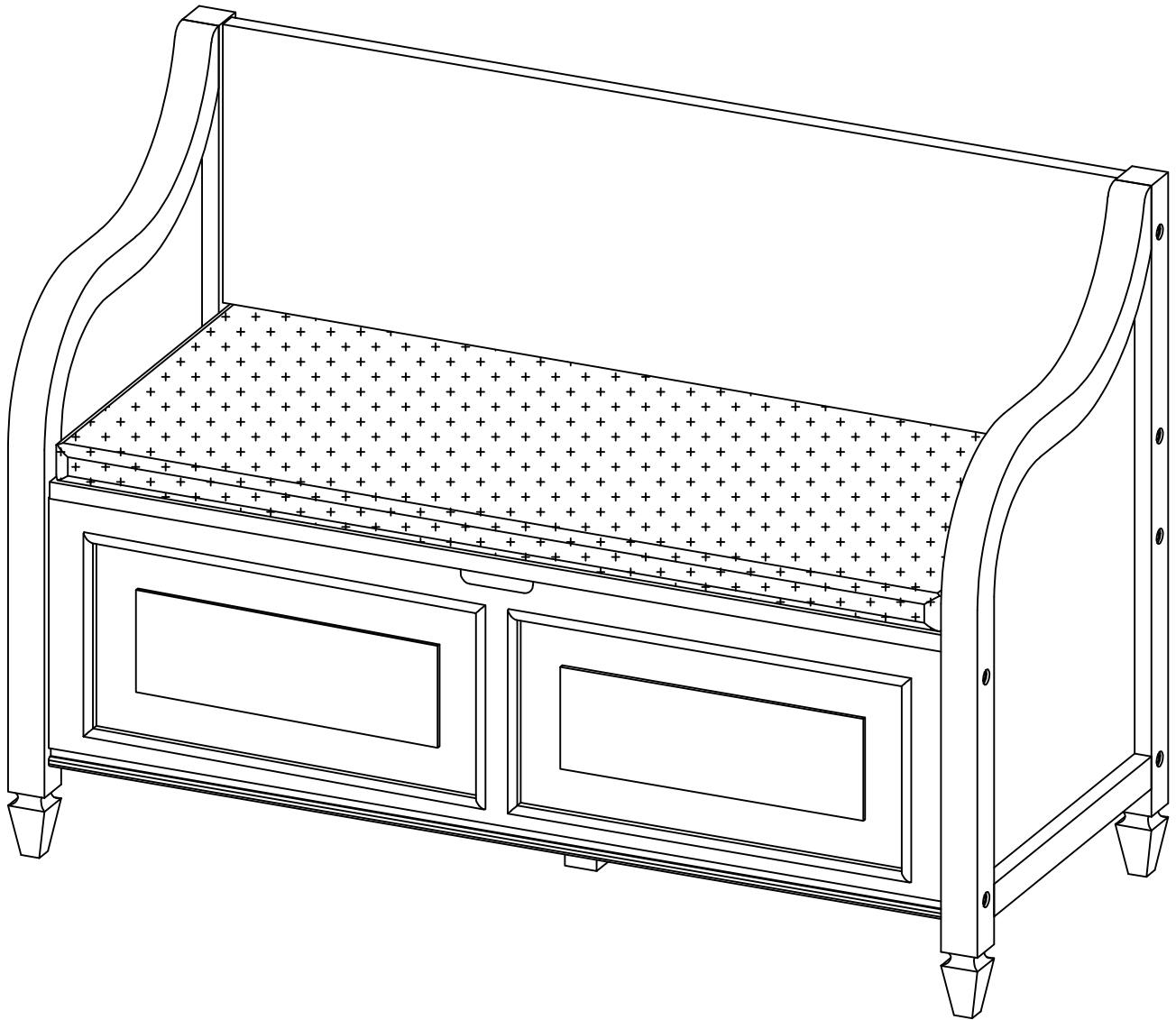


ASSEMBLY INSTRUCTION

ITEM : WF317032

STORAGE BENCH



ASSEMBLY INSTRUCTION

ITEM: WF317032

Important – Please read these instructions fully before starting assembly

- Check you have all the components and tools listed on the following pages.
- Remove all fittings from the plastic bags and separate them into their groups.
- Keep children and animals away from the work area, small parts could choke if swallowed.
- Make sure you have enough space to layout the parts before starting.

- During assembly do not stand or put weight on the product, this could cause damage.
- Assemble the item as close to its final position (in the same room) as possible.
- Assemble on a soft level surface to avoid damaging the unit or your floor.
- Parts of the assembly will be easier with 2 people.



- To reduce the likelihood of damaging your product please ensure that your power drill is set on a low torque setting.

Care and maintenance

- Only clean using a damp cloth and mild detergent, do not use bleach or abrasive cleaners.
- From time to time check that there are no loose screws on this unit.
- This product should not be discarded with household waste. Take to your local authority waste disposal centre.

Handy Hints

- Assemble all parts and bolts loosely during assembly, only once the product is complete should you fully tighten the bolts
- Regularly check and ensure that all bolts and fittings are tightened properly.

WARNING

In order to help prevent overturning – please follow these instructions

To help prevent product toppling over please follow the below steps:-

- Use the anti tip stop or wall fixing method provided (if applicable)
- Do not allow children to climb or hang on the furniture
- Do not open more than one drawer at a time
- Do not place heavy items in the top drawers
- Do not place heavy items on top of the furniture, unless the furniture has been designed for this purpose

Please note that only the anti tip strap is provided.

You will need to provide wall plugs and screws applicable for your wall type

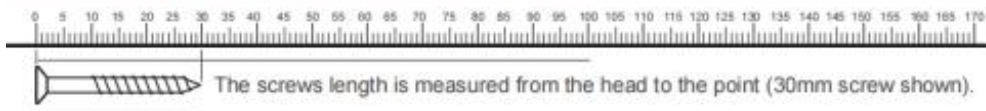


Tools required



Phillips screwdriver
(medium & large)

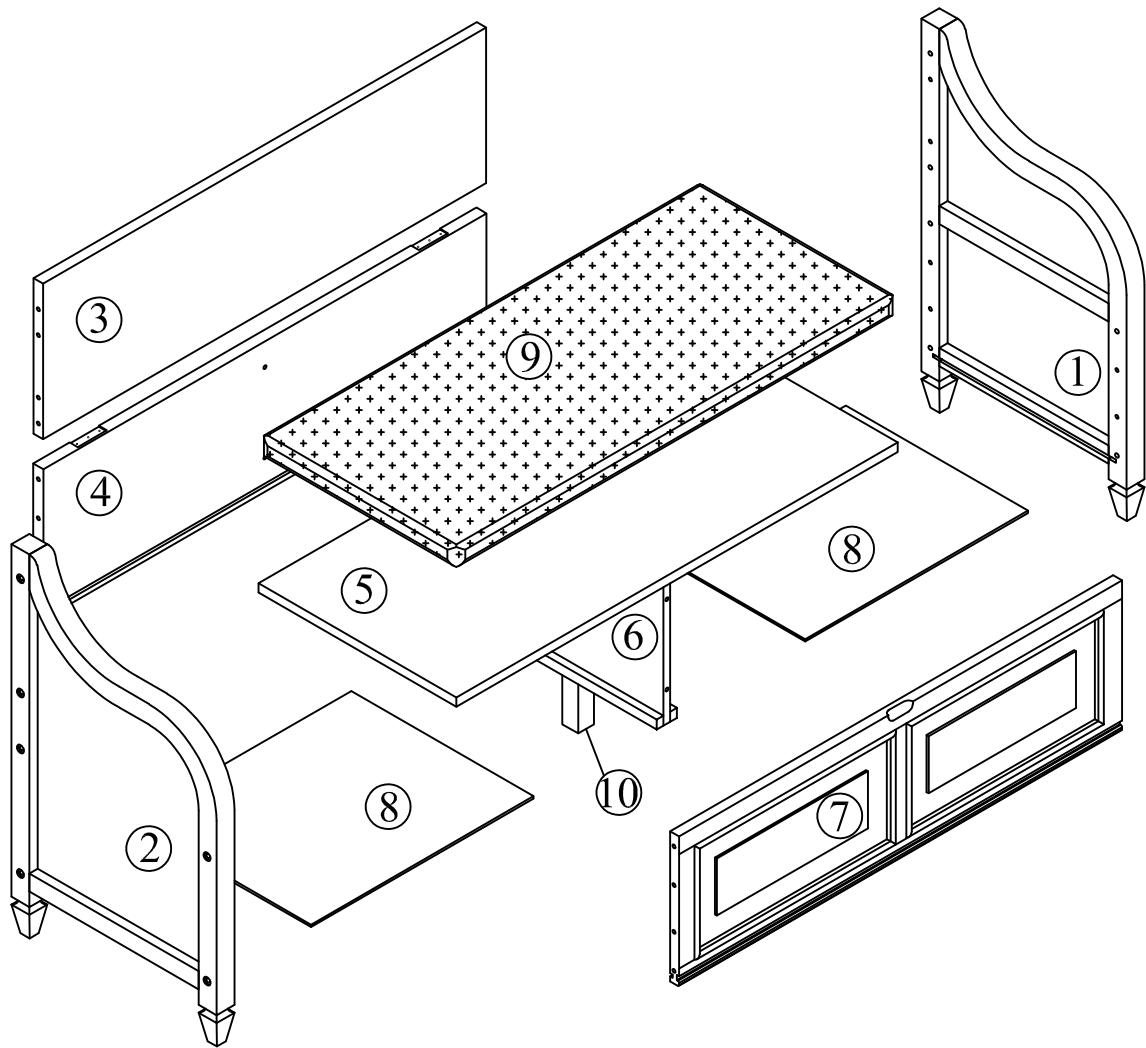
Ruler - Use this ruler to help correctly identify the screws



The screws length is measured from the head to the point (30mm screw shown).

ASSEMBLY INSTRUCTION

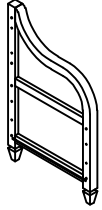
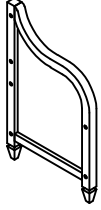
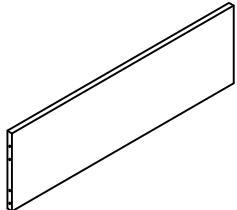
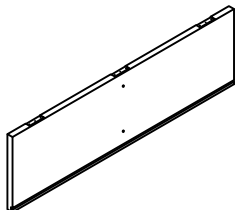
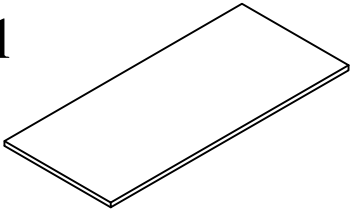
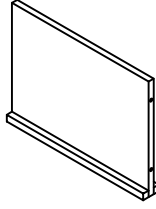
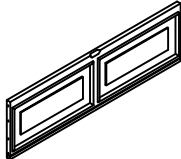
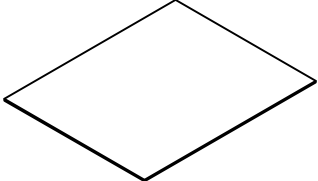
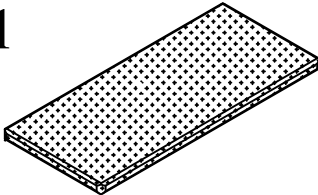
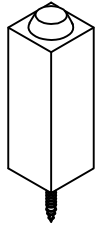
ITEM: WF317032



ASSEMBLY INSTRUCTION

ITEM: WF317032

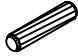





Part List

<p>① x1</p>  <p>Right Side Cabinet</p>	<p>② x1</p>  <p>Left Side Cabinet</p>
<p>③ x1</p>  <p>Cabinet Backrest</p>	<p>④ x1</p>  <p>Back Cabinet</p>
<p>⑤ x1</p>  <p>Top Cabinet</p>	<p>⑥ x1</p>  <p>Panel Middle Cabinet</p>
<p>⑦ x1</p>  <p>Front Cabinet</p>	<p>⑧ x2</p>  <p>Bottom Cabinet</p>
<p>⑨ x1</p>  <p>Seat Cushion</p>	<p>⑩ x1</p>  <p>Leg Support</p>

ASSEMBLY INSTRUCTION

ITEM: WF317032

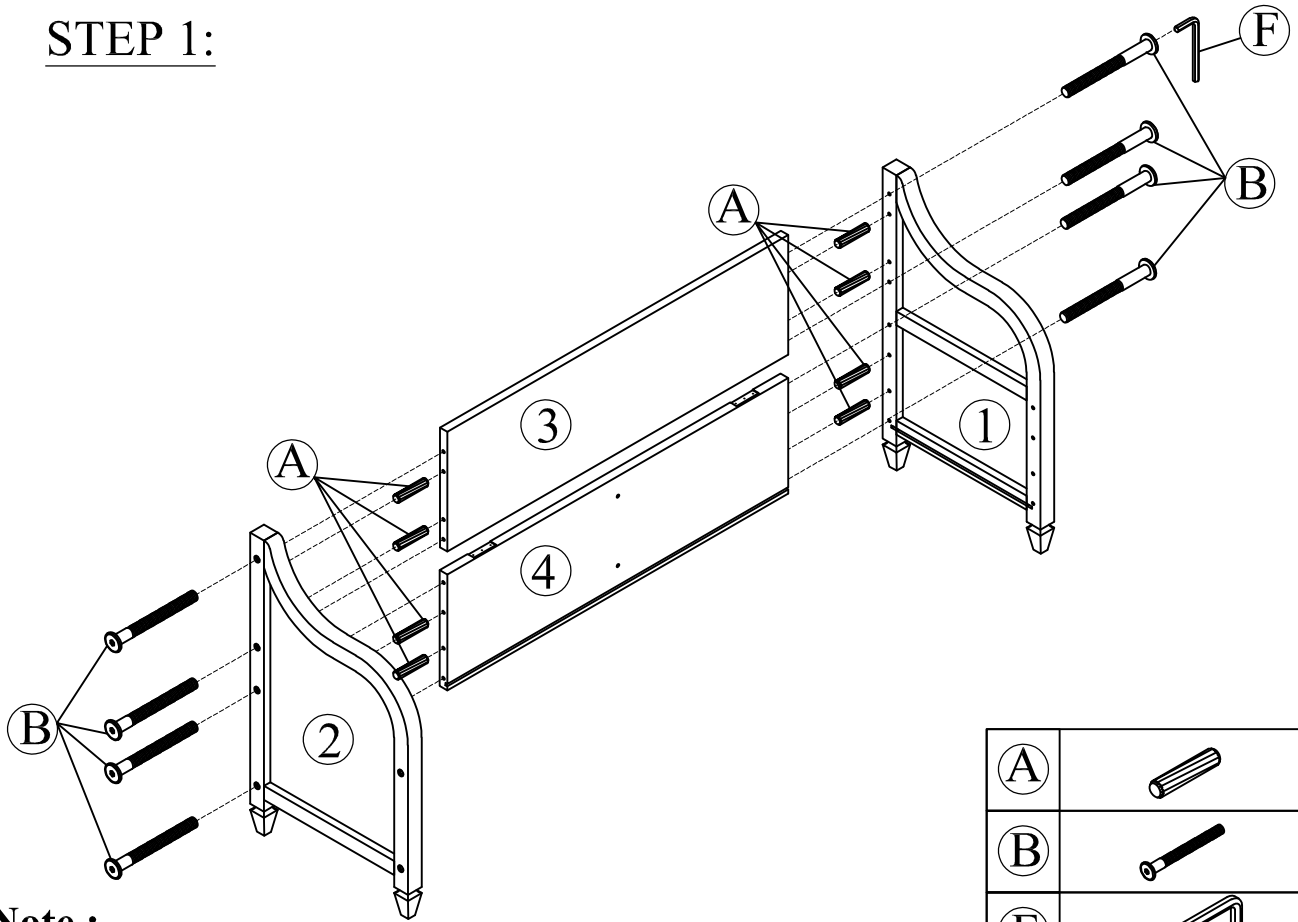
Hardware List

No.	OUTLOOK	DESC	QTY
(A)		Dowel Ø10*40mm	16
(B)		Bolts 1/4"*50mm	12
(C)		Screws #7*15mm	14
(D)		Door Hinge	02
(E)		Flap fitting	01
(F)		Allen key 60*22*4mm	01




ASSEMBLY TOOLS REQUIRED (NOT INCLUDED)



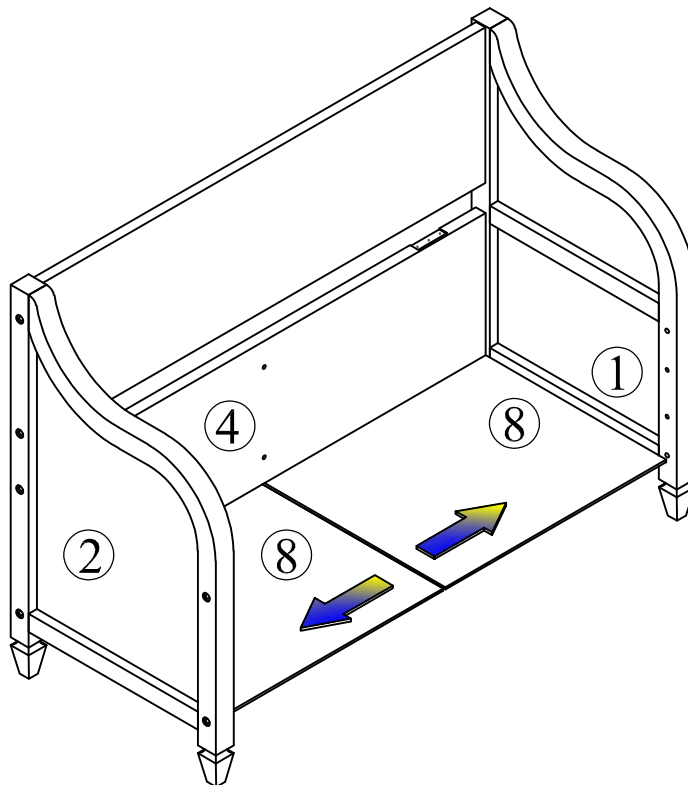
STEP 1:



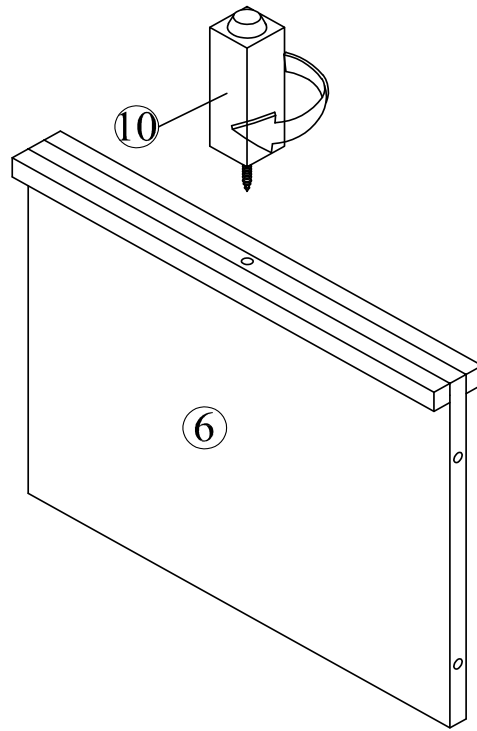
Note :
Do not lock bolts.

(A)		08
(B)		08
(F)		01

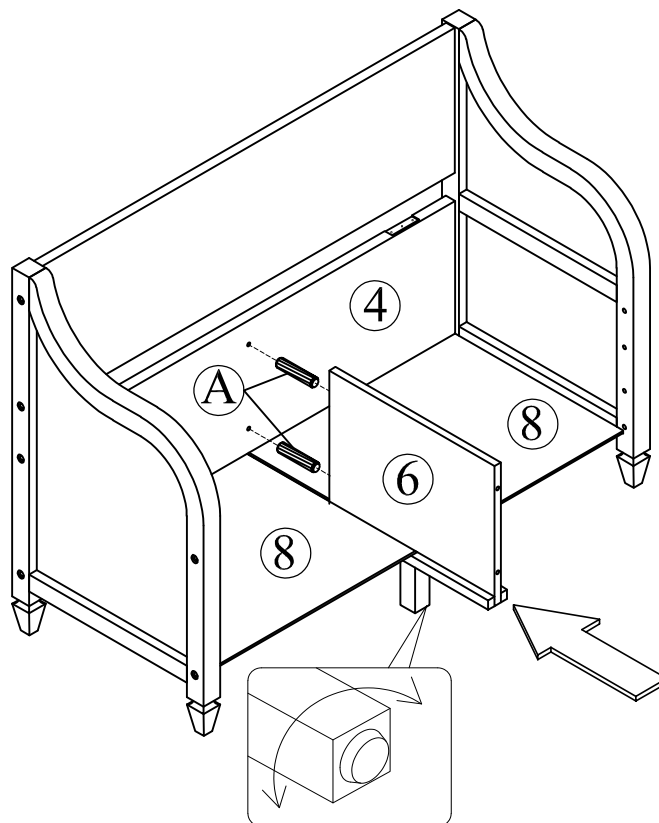
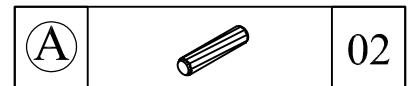
STEP 2:



STEP 3:




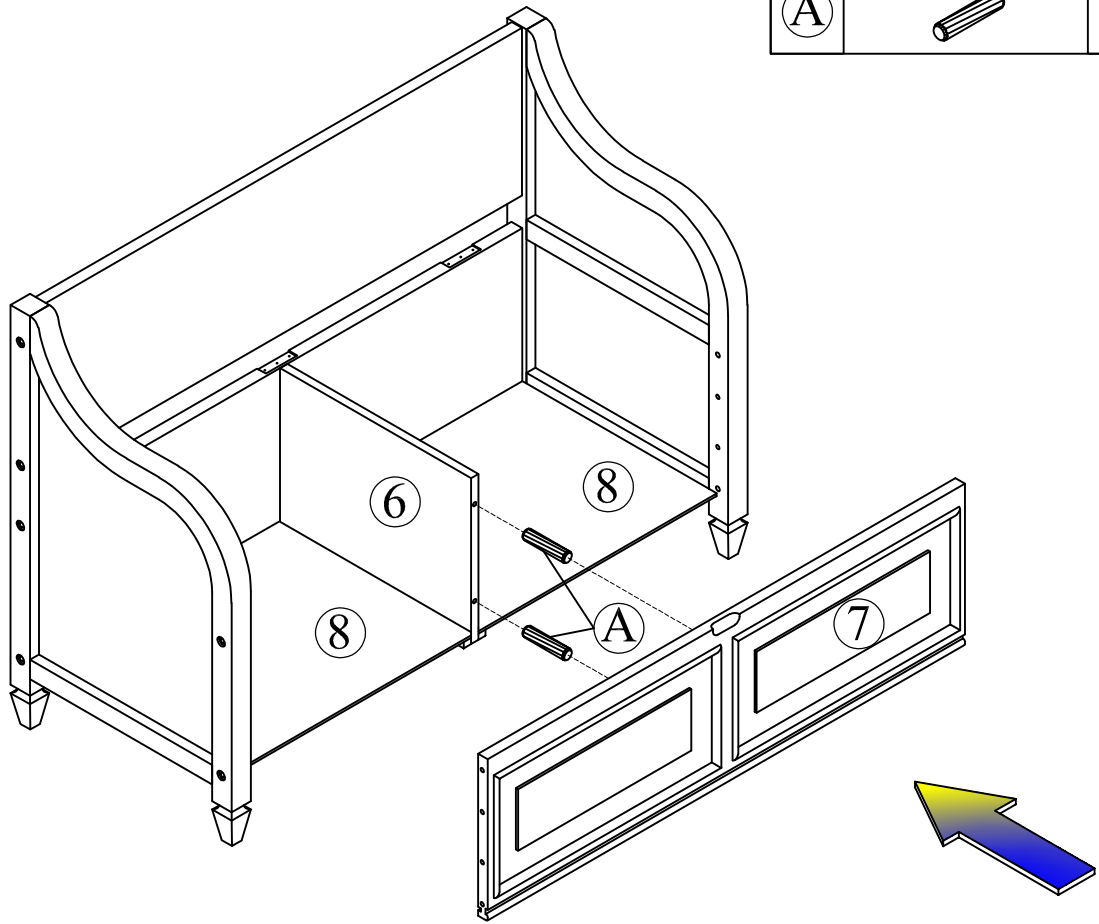
STEP 4:






Note: After moving your unit to its final location, you may need to adjust the floor levelers.

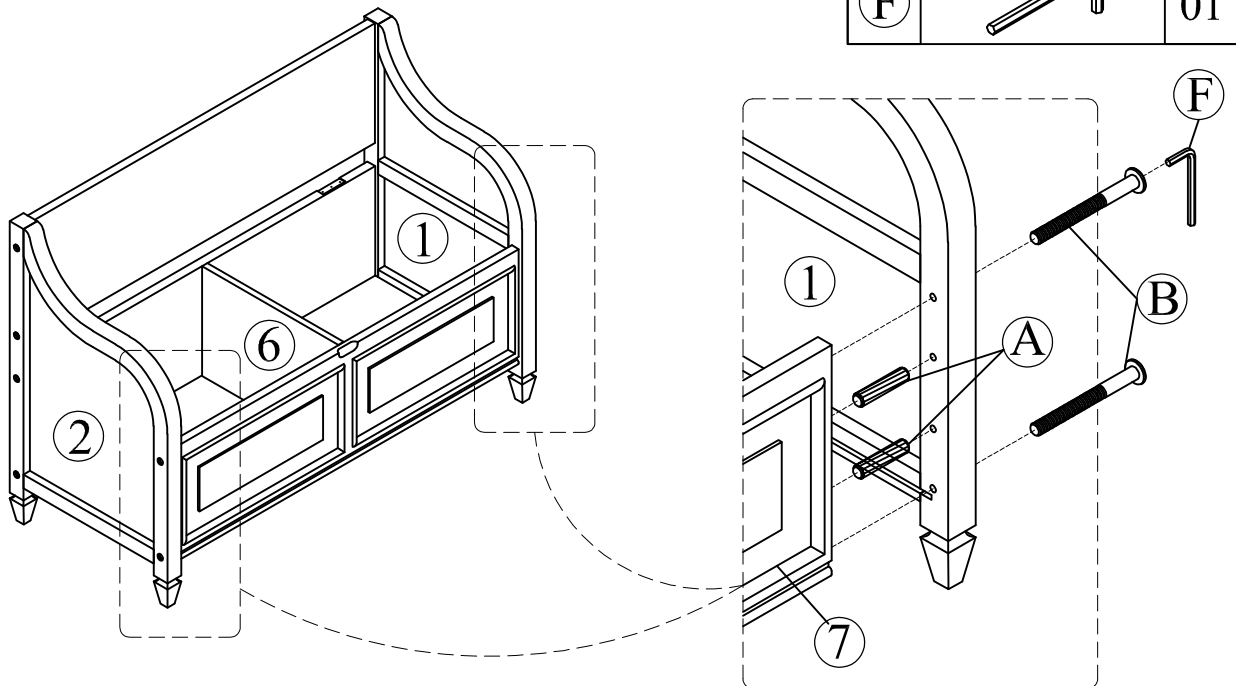
STEP 5:

(A)		02
-----	---	----





STEP 6:

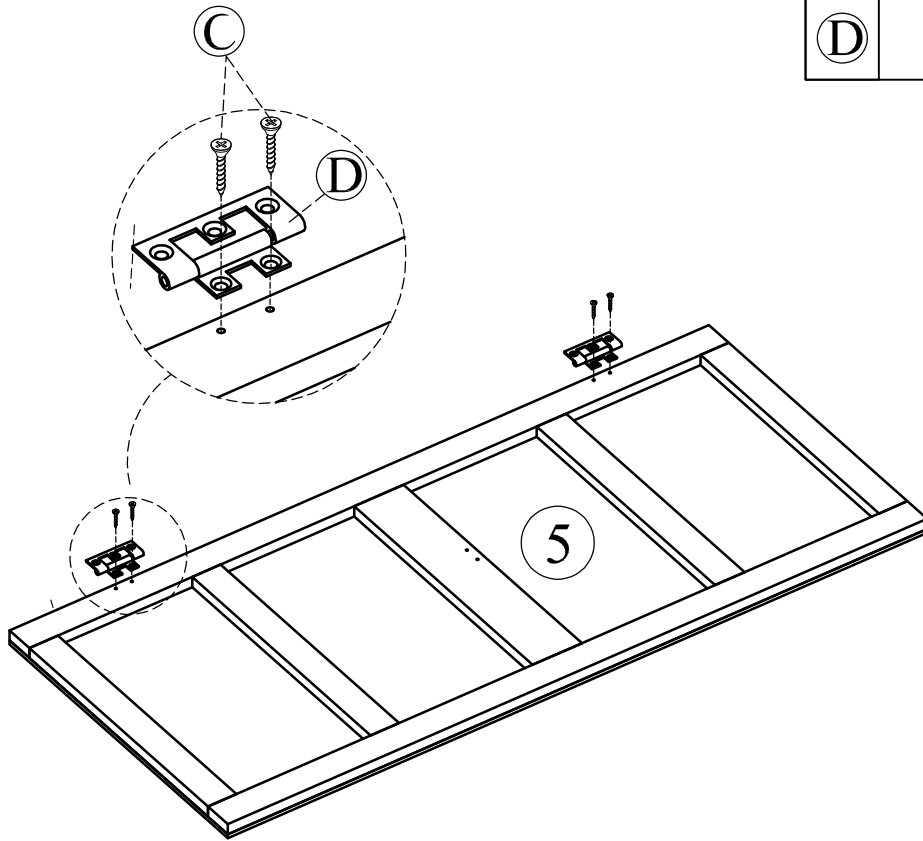
(A)		04
(B)		04
(F)		01



Note :
Lock bolts.

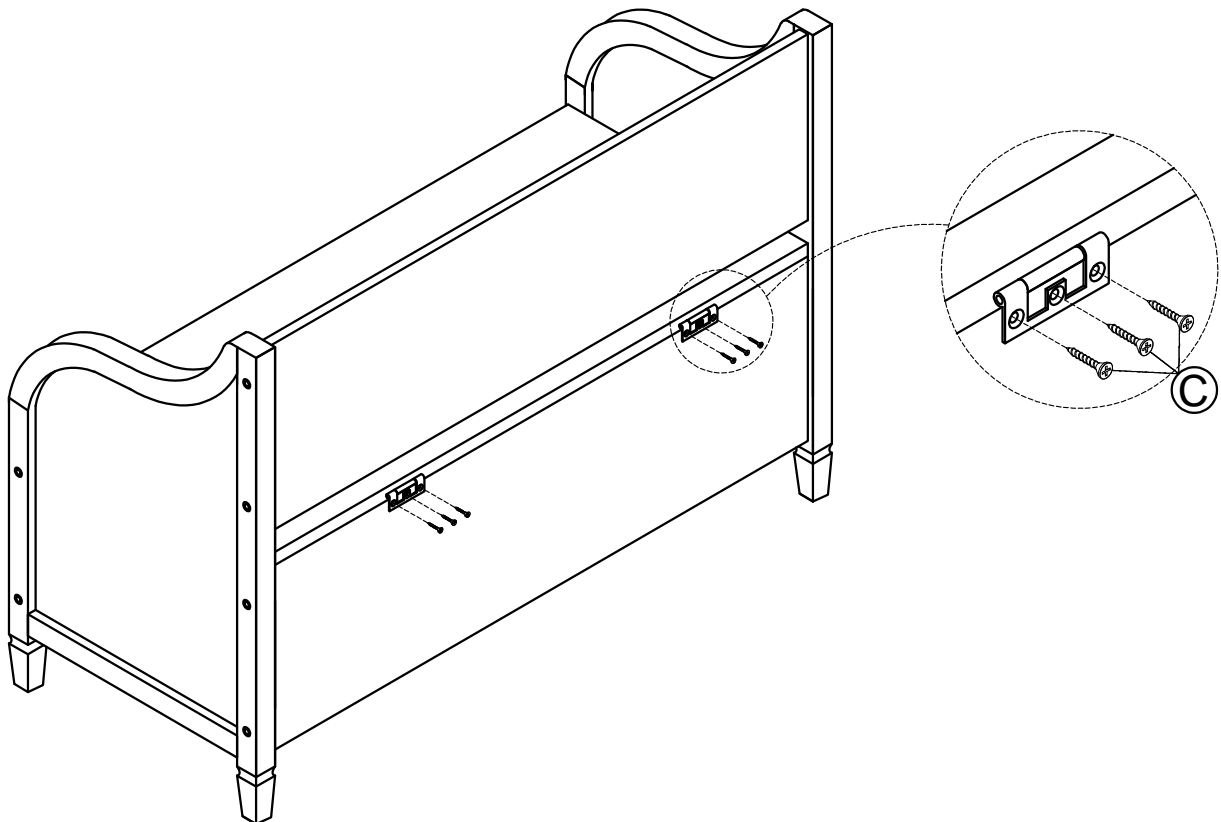
STEP 7:

(C)		04
(D)		02





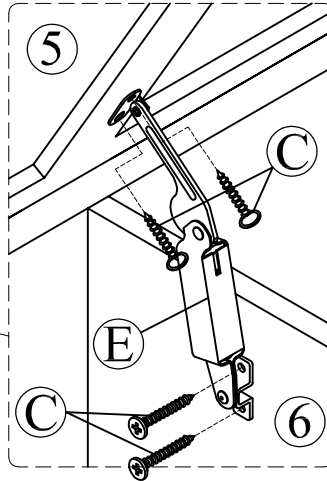
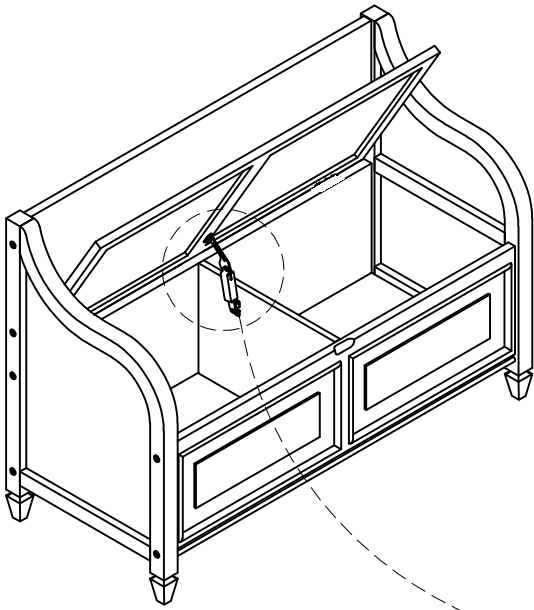
STEP 8:

(C)		06
-----	---	----

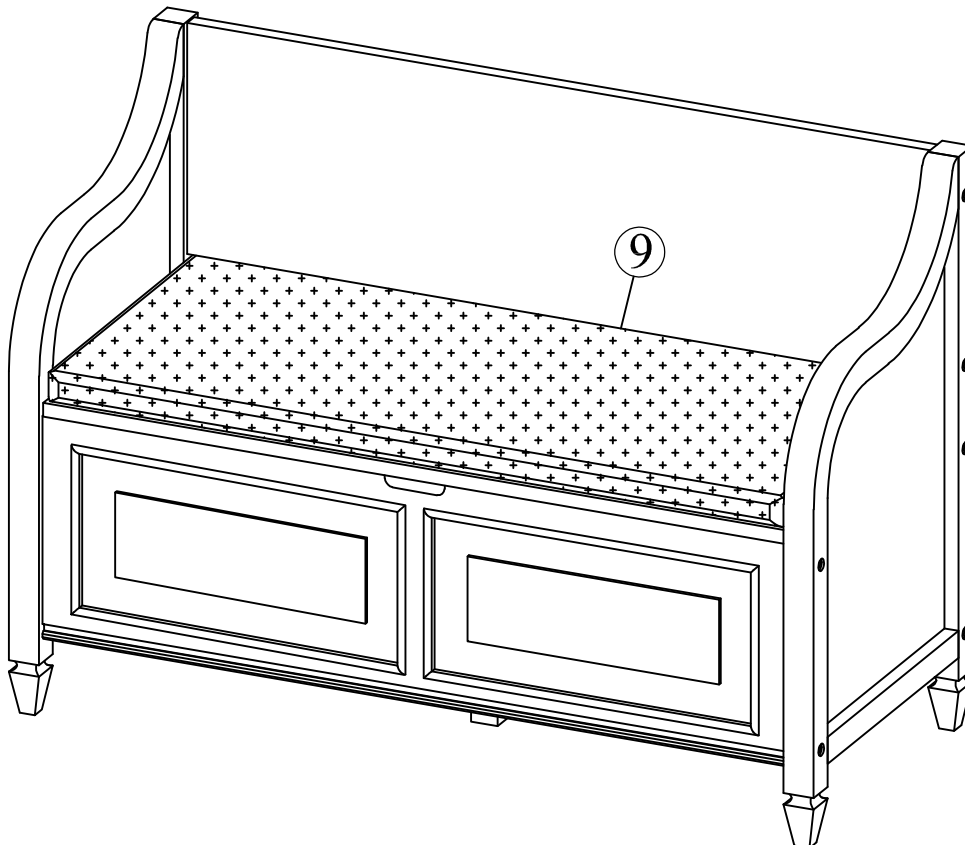


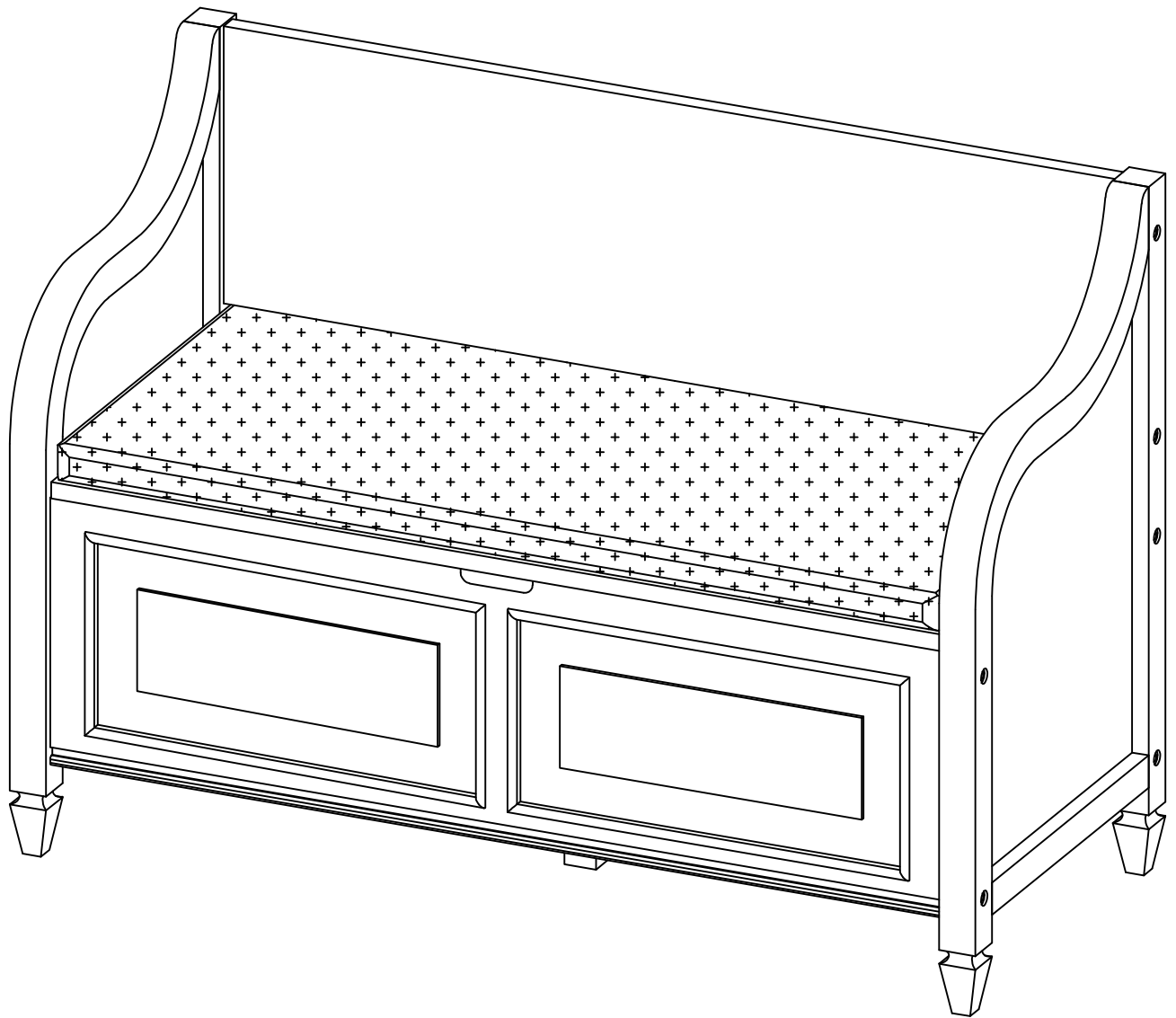
STEP 9:

(C)		04
(E)		01



STEP 10:





Assembly is complete.