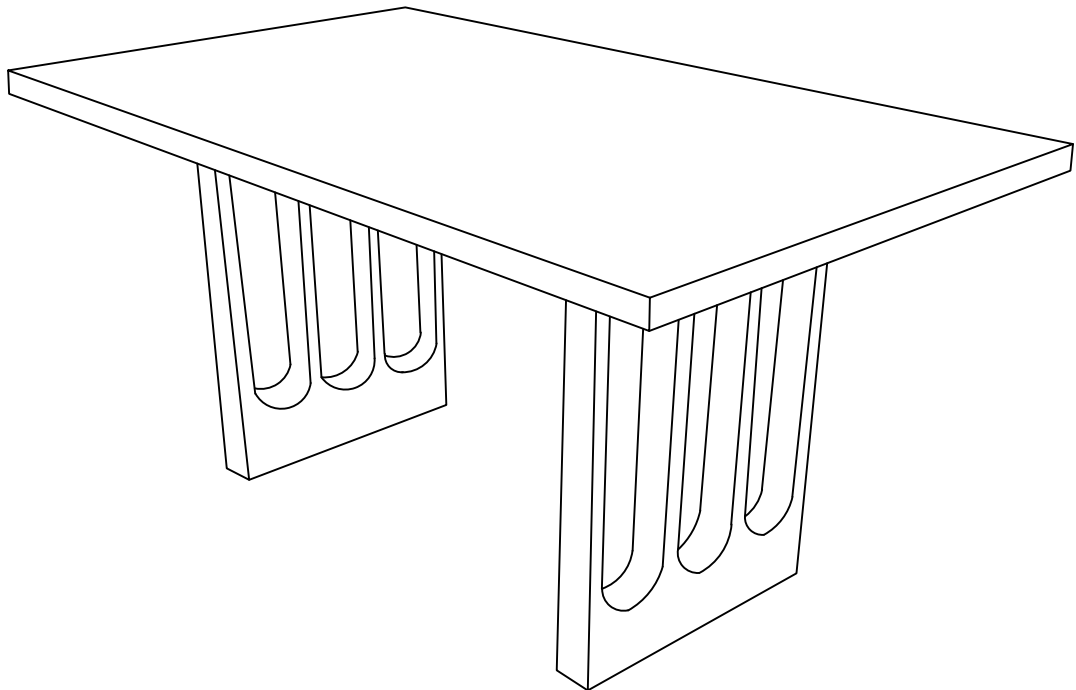


# ASSEMBLY INSTRUCTION

ITEM : WF316206

## DINING TABLE



# ASSEMBLY INSTRUCTION

ITEM : WF316206

## **Important Note !**

Please read these instructions fully before starting assembly:

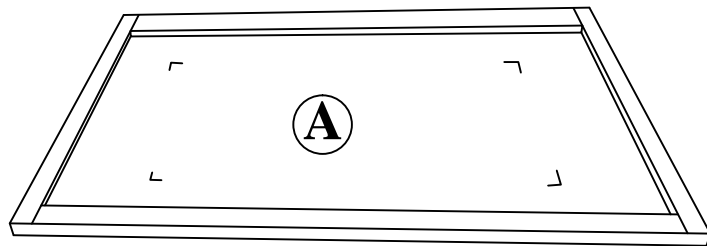
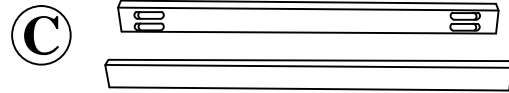
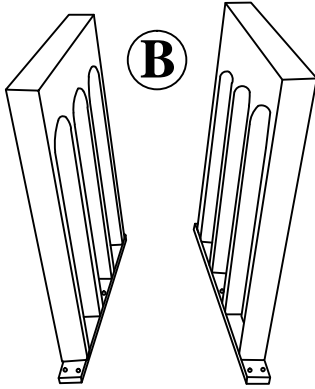
1. Place all wooden parts on a clean and smooth surface such as a rug or carpet to avoid scratching the parts
2. Kindly follow the assembly instructions step by step.
3. Do not tighten all screws and bolts until the table is fully assembled.
4. Unscrew the protective plastique supports from the metal insert of the table legs before assembly.
5. Parts of the assembly will be easier with 2 people.

## **Care and maintenance:**

Only clean using a damp cloth and mild detergent, do no use bleach or abrasive cleaners.

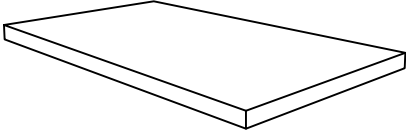
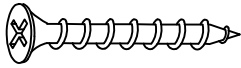


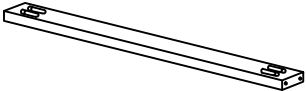
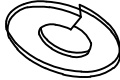

# ASSEMBLY INSTRUCTION

ITEM : WF316206



# ASSEMBLY INSTRUCTION

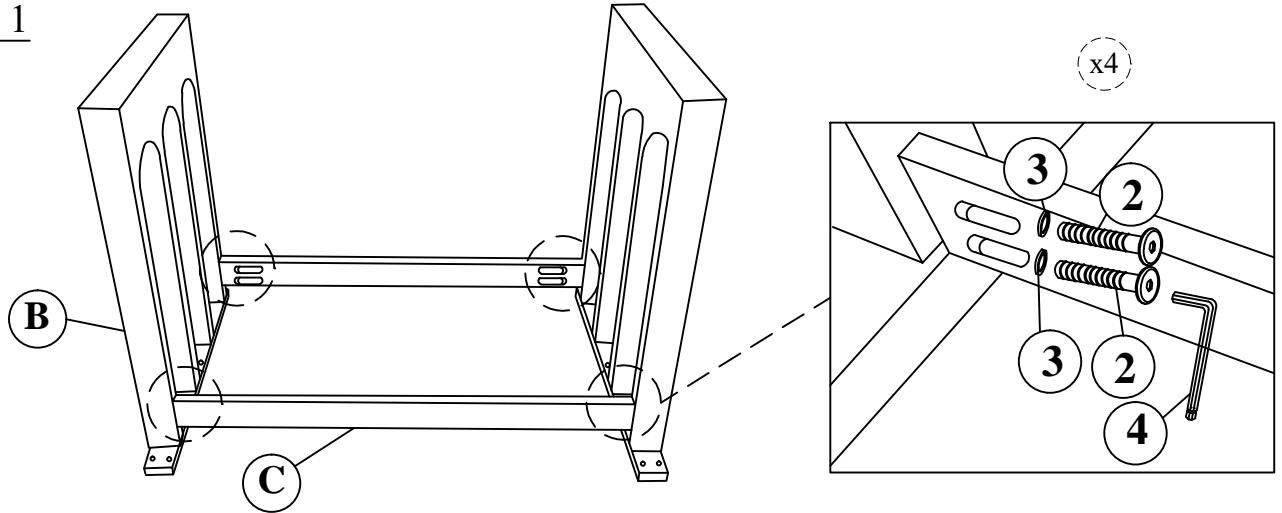
ITEM : WF316206

Part List For One	Hardware List For One
<p data-bbox="124 539 188 600">Ⓐ</p> 	<p data-bbox="813 539 877 600">①</p>  <p data-bbox="975 719 1134 752">M4*32mm</p>
<p data-bbox="284 815 576 853">TABLE TOP (1PC)</p>	<p data-bbox="959 815 1353 853">WOOD SCREW (12PCS)</p>
<p data-bbox="124 904 188 965">Ⓑ</p> 	<p data-bbox="813 904 877 965">②</p>  <p data-bbox="986 1043 1145 1077">M6*60mm</p>
<p data-bbox="293 1151 488 1189">LEG (2PCS)</p>	<p data-bbox="975 1151 1190 1189">BOLT (8PCS)</p>
<p data-bbox="124 1240 188 1301">Ⓒ</p> 	<p data-bbox="813 1240 877 1301">③</p> 
<p data-bbox="284 1487 552 1525">SUPPORT (2PC)</p>	<p data-bbox="900 1487 1318 1525">SPRING WASHER (8PCS)</p>
	<p data-bbox="813 1576 877 1637">④</p>  <p data-bbox="975 1827 1262 1865">ALLEN KEY (1PC)</p>

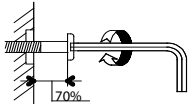
# ASSEMBLY INSTRUCTION

## ITEM : WF316206




### STEP 1



**WARNING:** Please install the parts with care and on a clean surface.



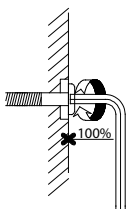
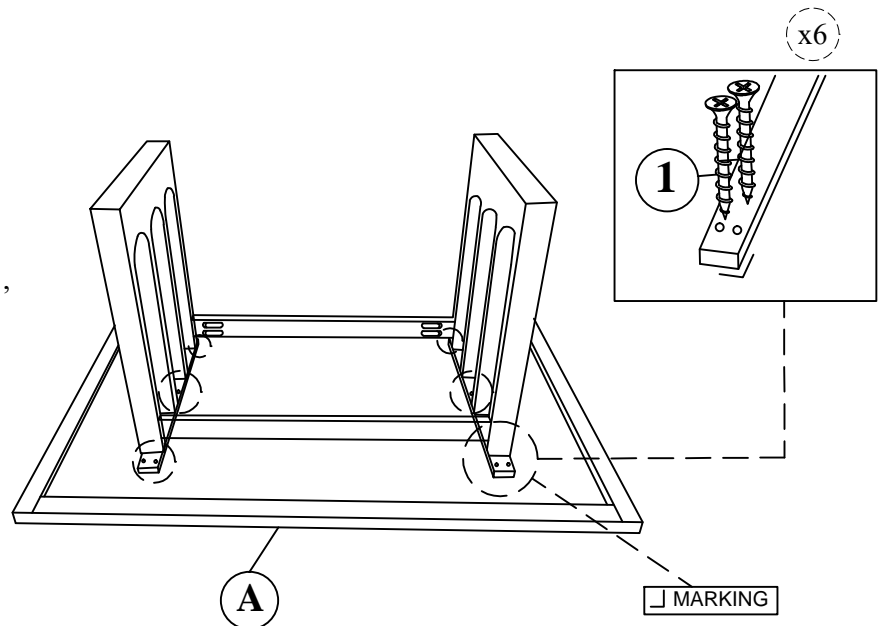
**NOTE :** Do not fully tighten the bolt

<b>BOLT</b> M6*60mm  ② x 8	<b>SPRING WASHER</b>  ③ x 8	<b>ALLEN KEY (1PC)</b>  ④ x 1
---	--	--

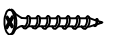
### STEP 2

**WARNING:** Place the Table Top panel on a clean and smooth surface to avoid scratches!

\* There are no pre-drilled holes on the table , please align the legs with the marking line provided and screw directly with screwdriver or electric drill.



**NOTE:** Fully tighten all bolts with Allen Key (4) to secure all legs.

<b>WOOD SCREW</b> M4*32mm  ① x 12
---

# ASSEMBLY INSTRUCTION

## ITEM : WF316206

COMPLETE

