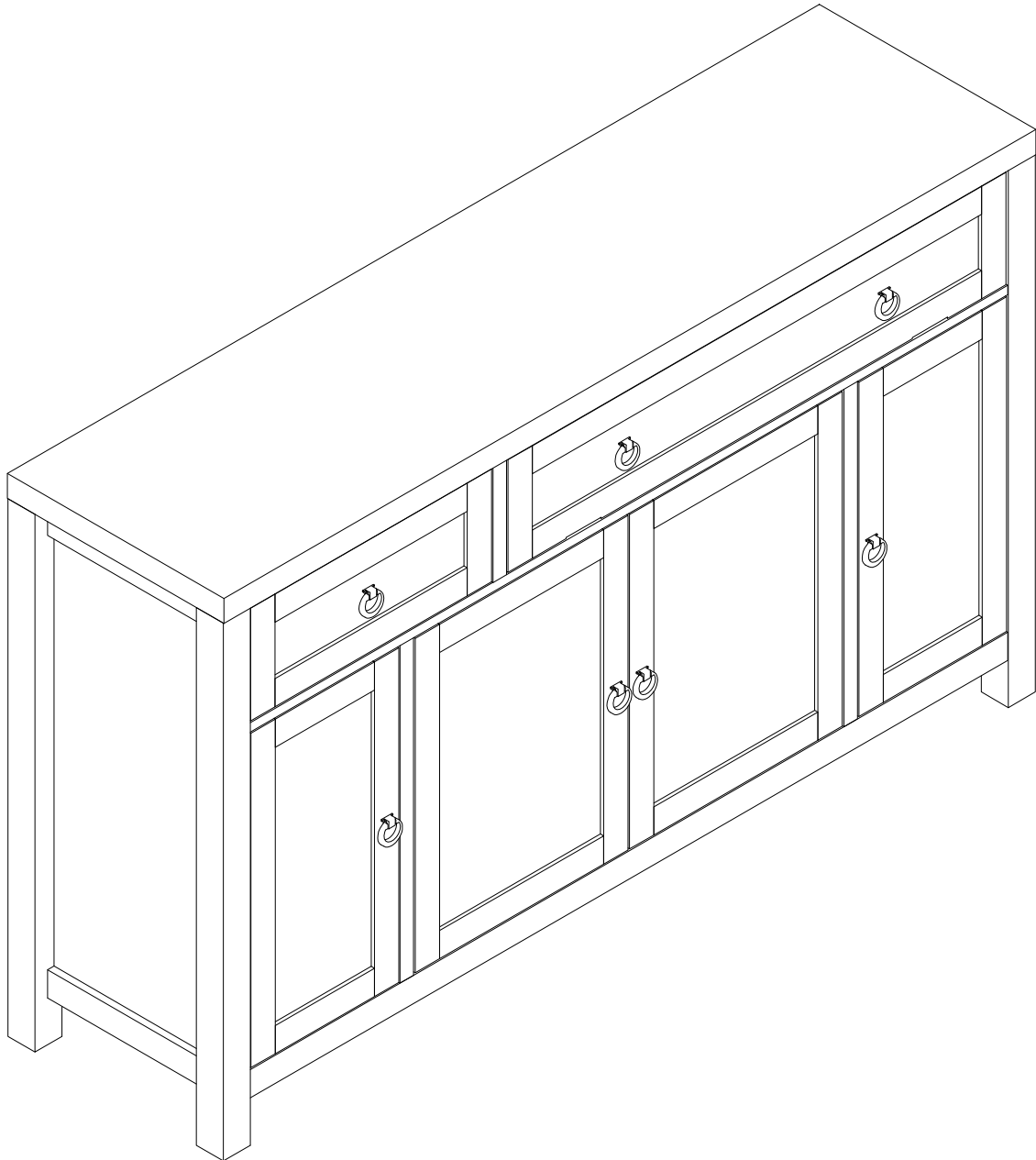


ASSEMBLY INSTRUCTION  
ITEM:WF317554 / WF317555  
SIDEBOARD



# ASSEMBLY INSTRUCTION

## ITEM:WF317554 / WF317555

Please read these instructions fully before starting assembly:

Tools required: Phillips screwdriver (medium & large)

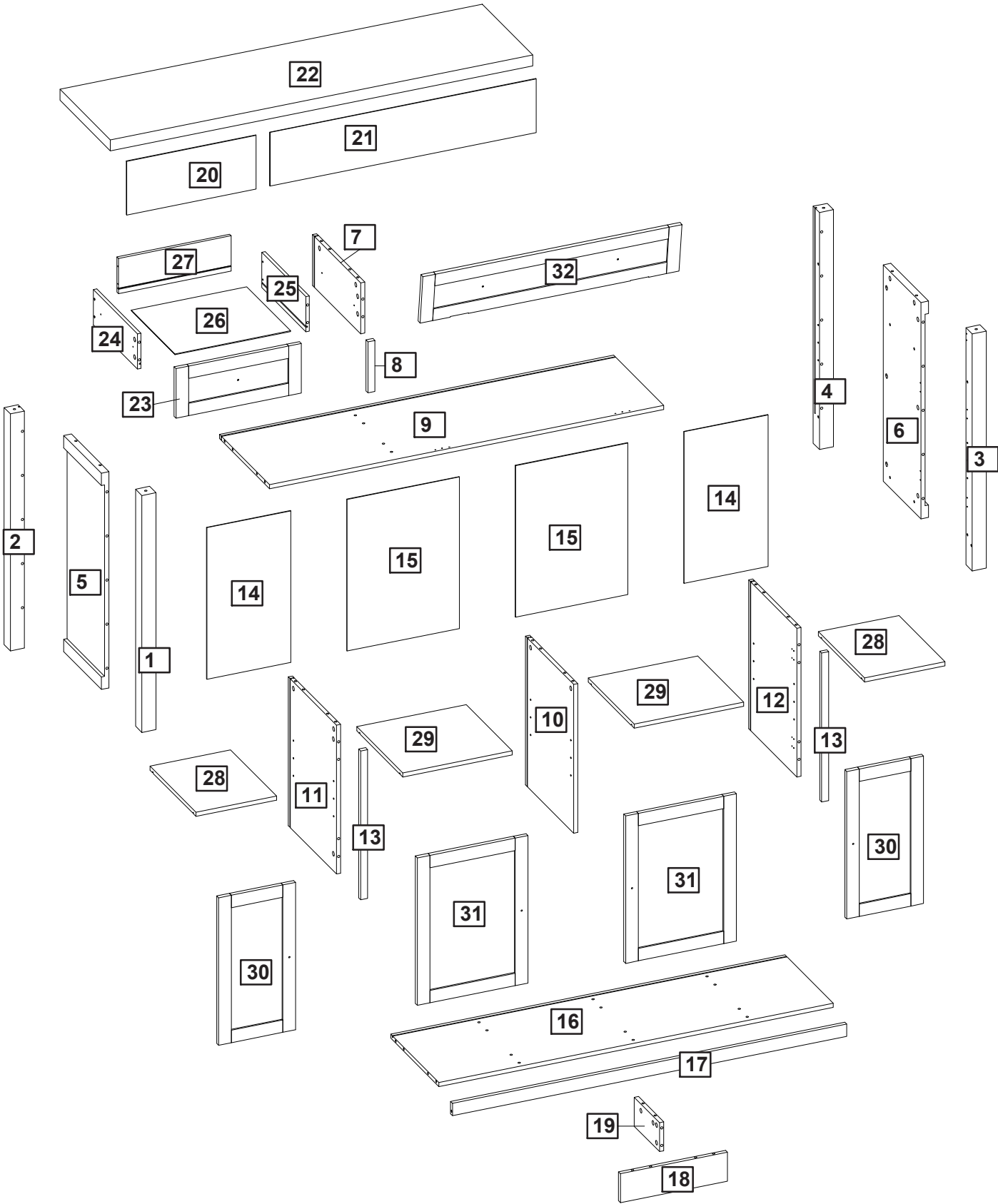
1. Check you have all the components and tools listed on the following pages.
2. Remove all fittings from the plastic bags and separate them into their groups.
3. Keep children and animals away from the work area, small parts could choke if swallowed.
4. Make sure you have enough space to layout the parts before starting.
5. During assembly do not stand or put weight on the product, this could cause damage.
6. Assemble the item as close to its final position (in the same room) as possible.
7. Assemble on a soft level surface to avoid damaging the unit or your floor.
8. Parts of the assembly will be easier with 2 people.
9. To reduce the likelihood of damaging your product please ensure that your power drill is set on a low torque setting.
10. Assemble all parts and bolts loosely during assembly, only once the product is complete should you fully tighten the bolts.
11. Regularly check and ensure that all bolts and fittings are tightened properly.
12. Please do not place items that exceed the load capacity.

Care and maintenance:

Only clean using a damp cloth and mild detergent, do not use bleach or abrasive cleaners.

# ASSEMBLY INSTRUCTION

ITEM:WF317554 / WF317555

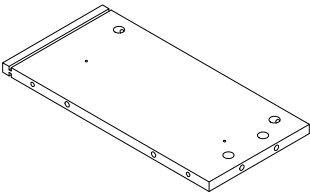
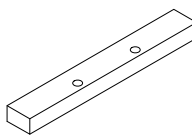
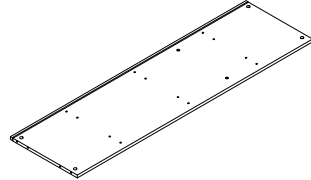
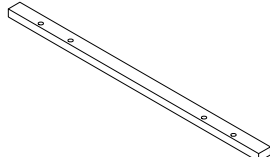
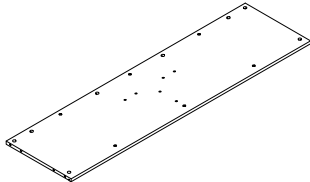
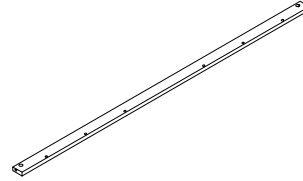
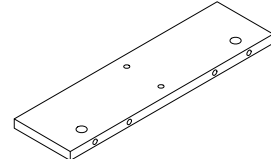
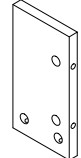
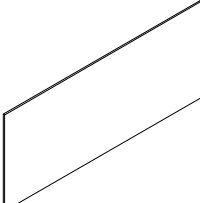
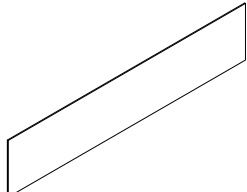
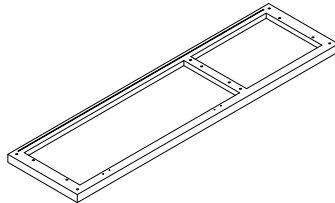
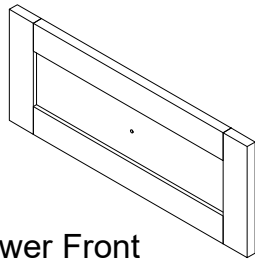
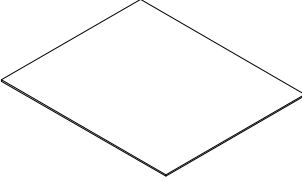
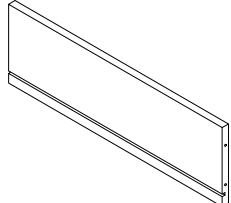
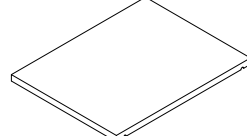
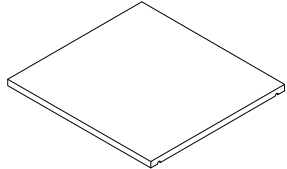
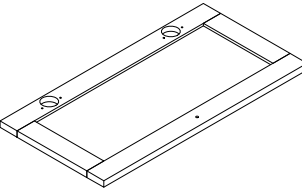
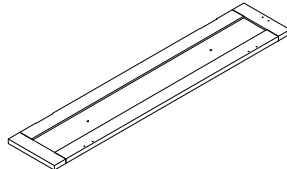


# Part List

## ITEM:WF317554

Please check you have all the panels listed below

**Note:** The quantities below are the correct amount to complete the assembly. In some cases more fittings may be supplied than are required.





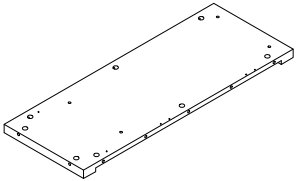
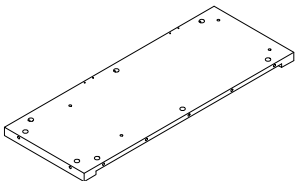
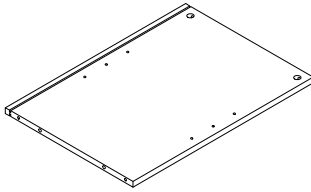
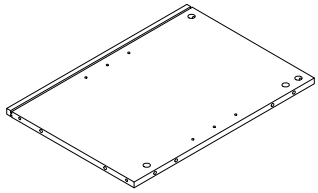
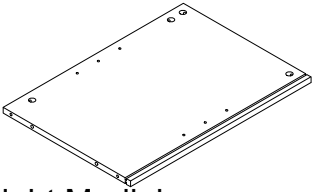
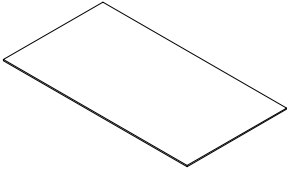
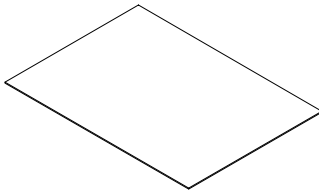
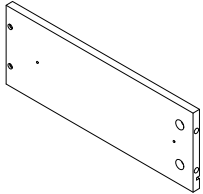
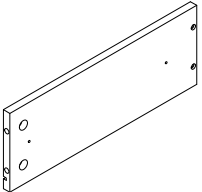
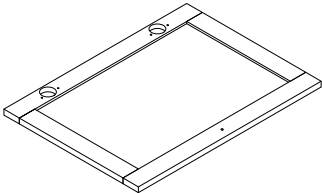
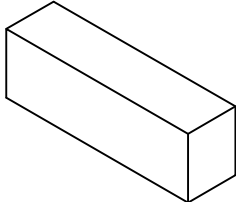
<p>⑦</p>  <p>Top Support 1 PC</p>	<p>⑧</p>  <p>Decorative strip 1 PC</p>	<p>⑨</p>  <p>Upper Shelf 1 PC</p>	<p>⑬</p>  <p>Decorative strip 2 PCS</p>
<p>⑯</p>  <p>Bottom Panel 1 PC</p>	<p>⑰</p>  <p>Lower Trim Panel 1 PC</p>	<p>⑱</p>  <p>Front foot 1 PC</p>	<p>⑲</p>  <p>Back Foot 1 PC</p>
<p>⑳</p>  <p>Rear panel 1 PC</p>	<p>㉑</p>  <p>Rear panel 1 PC</p>	<p>㉒</p>  <p>Cabinet Top 1 PC</p>	<p>㉓</p>  <p>Drawer Front Panel 1 PC</p>
<p>㉔</p>  <p>Bottom Drawer Panel 1 PC</p>	<p>㉕</p>  <p>Drawer Rear Panel 1 PC</p>	<p>㉖</p>  <p>Side Shelf 2 PCS</p>	<p>㉗</p>  <p>Center Shelf 2 PCS</p>
<p>㉚</p>  <p>Side Door 2 PCS</p>	<p>㉛</p>  <p>Flip 1 PC</p>		

# Part List

## ITEM:WF317554

Please check you have all the panels listed below

**Note:** The quantities below are the correct amount to complete the assembly. In some cases more fittings may be supplied than are required.


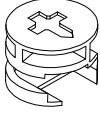
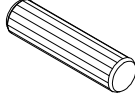
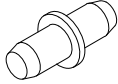
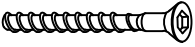
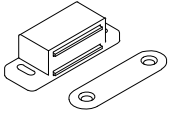

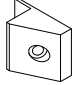
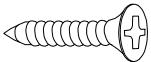
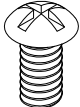

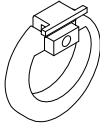
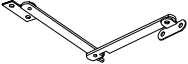
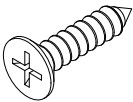
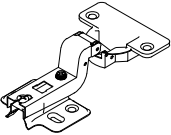
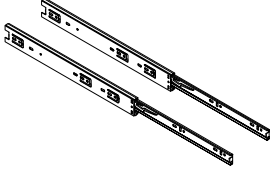
<p>①</p>  <p>Left Front Leg 1 PC</p>	<p>②</p>  <p>Left Rear Leg 1 PC</p>	<p>③</p>  <p>Right Front Leg 1 PC</p>	<p>④</p>  <p>Right Rear Leg 1 PC</p>
<p>⑤</p>  <p>Left Panel 1 PC</p>	<p>⑥</p>  <p>Right Panel 1 PC</p>	<p>⑩</p>  <p>Medial panel 1 PC</p>	<p>⑪</p>  <p>Left Medial Panel 1 PC</p>
<p>⑫</p>  <p>Right Medial Panel 1 PC</p>	<p>⑭</p>  <p>Rear panel 2 PCS</p>	<p>⑮</p>  <p>Rear panel 2 PCS</p>	<p>⑳</p>  <p>Left Drawer Panel 1 PC</p>
<p>㉕</p>  <p>Right Drawer Panel 1 PC</p>	<p>㉓</p>  <p>Center Door 2 PCS</p>	<p>Hardware 1 PC</p> 	

# Hardware list

## ITEM:WF317554

Please check you have all the panels listed below

**Note:** The quantities below are the correct amount to complete the assembly. In some cases more fittings may be supplied than are required.

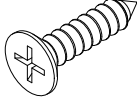
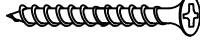
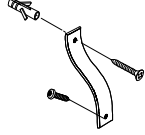
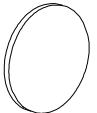
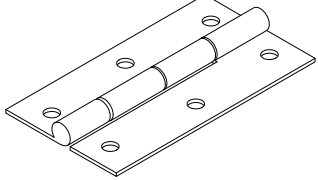
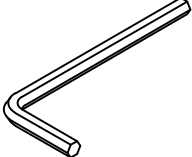
<p><b>A</b></p>  <p>Male Camlock x 54</p>	<p><b>B</b></p>  <p>Female Camlock x 54</p>	<p><b>C</b></p>  <p>Dowel x 44</p>	<p><b>D</b></p>  <p>Shelf Support Pin x 16</p>
<p><b>E</b></p>  <p>6.8*48mm Screw x 8</p>	<p><b>F</b></p>  <p>Magnet Touch x 2</p>	<p><b>G</b></p>  <p>3*17mm Screw x 28</p>	<p><b>H</b></p>  <p>Plastic wedge x 24</p>
<p><b>I</b></p>  <p>3*14mm Screw x 20</p>	<p><b>J</b></p>  <p>4*6mm Screw x 3</p>	<p><b>K</b></p>  <p>4*18mm Screw x 4</p>	<p><b>L</b></p>  <p>Handle x 7</p>
<p><b>M</b></p>  <p>Right hinge x 1</p>	<p><b>N</b></p>  <p>3.5*14mm Screw x 52</p>	<p><b>O</b></p>  <p>Door Hinge x 8</p>	<p><b>P</b></p>  <p>Drawer slider 14" x 1</p>

# Hardware list

## ITEM:WF317554

Please check you have all the panels listed below

**Note:** The quantities below are the correct amount to complete the assembly. In some cases more fittings may be supplied than are required.

<p><b>Q</b></p>  <p>3.5*12mm Screw x 4</p>	<p><b>R</b></p>  <p>4*30mm Screw x 4</p>	<p><b>S</b></p>  <p>Wall Fixing Pack x 2</p>	<p><b>T</b></p>  <p>Ø20 Sticker x 30</p>
<p><b>U</b></p>  <p>Door Hinge x 2</p>	 <p>M4 x 1</p>		

# ASSEMBLY INSTRUCTION

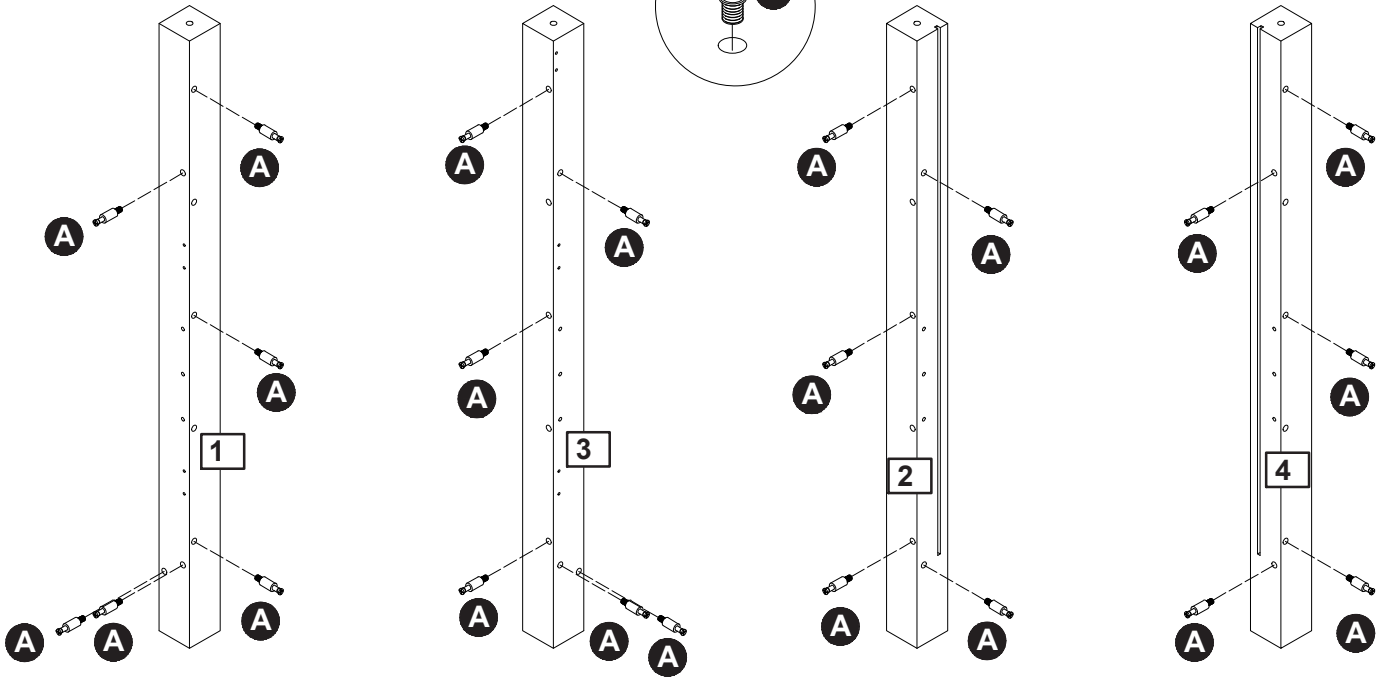
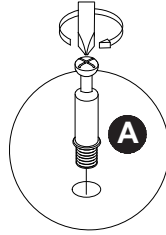
## ITEM:WF317554 / WF317555

### Step 1

A



Male Camlock x 22

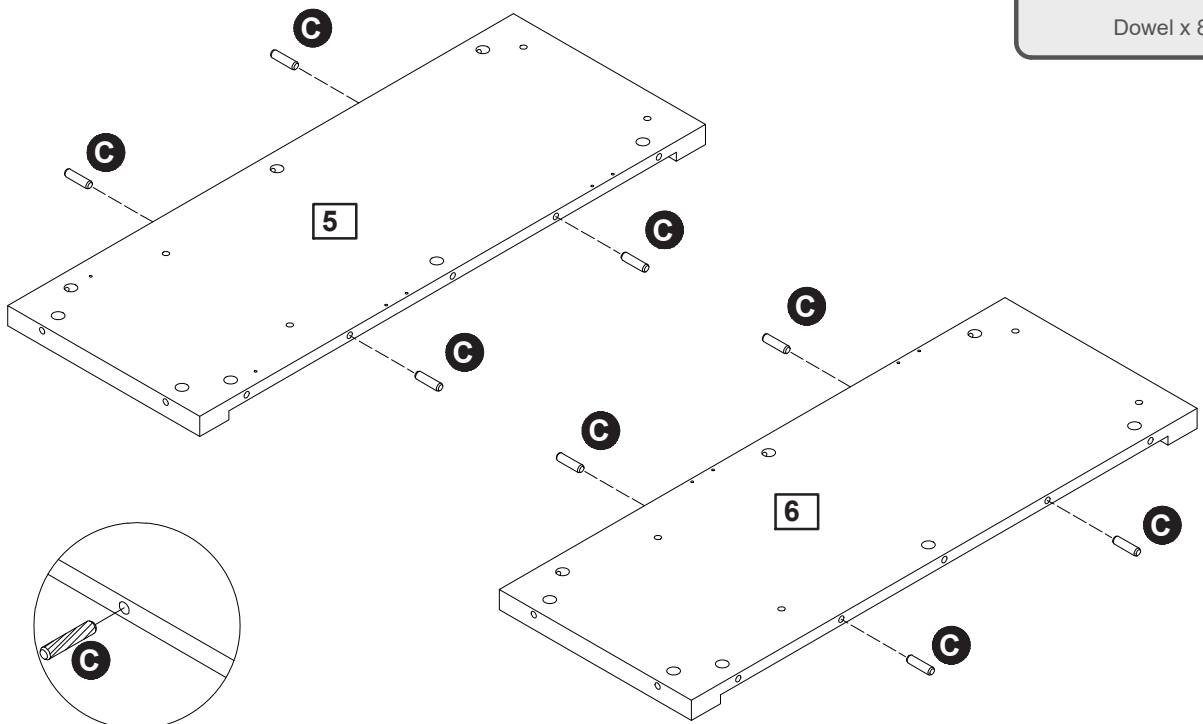


### Step 2

C



Dowel x 8

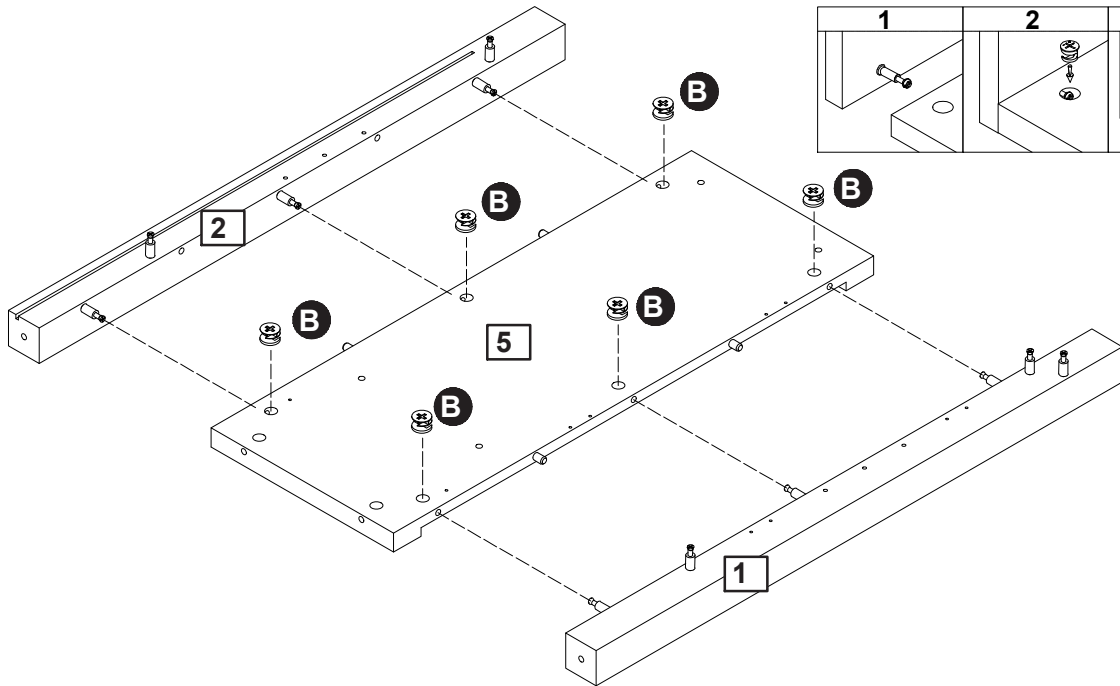
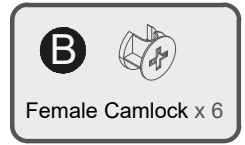




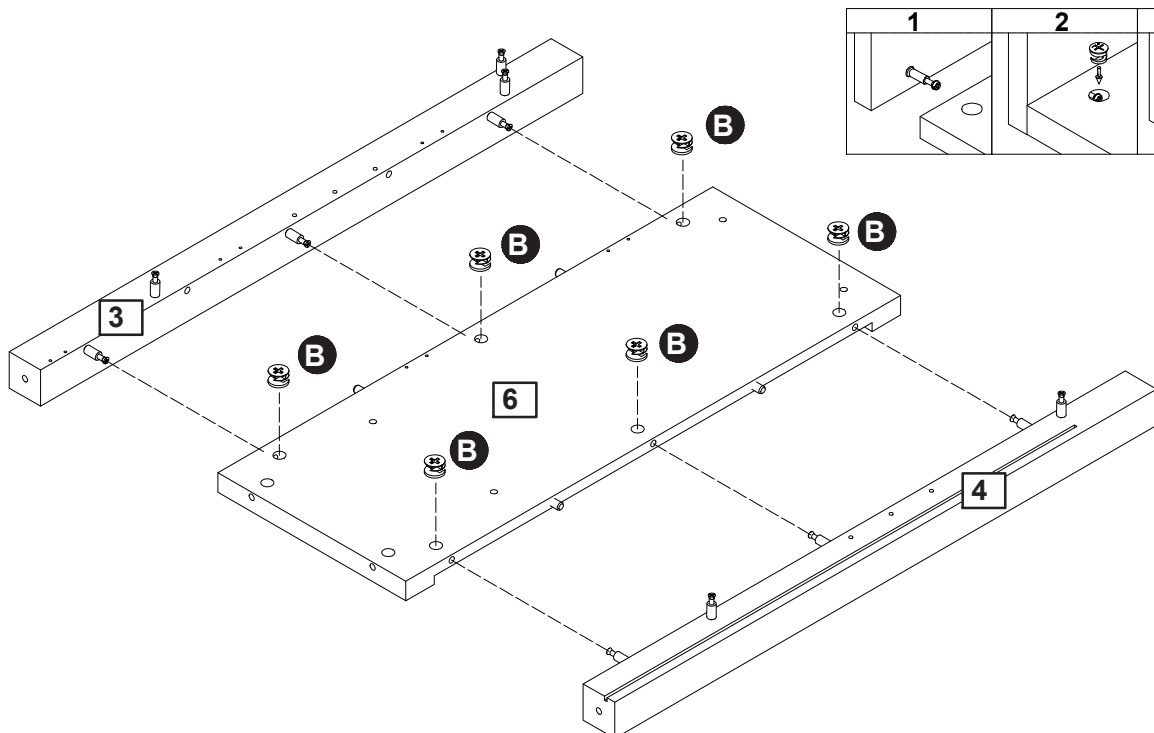
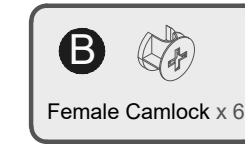
# ASSEMBLY INSTRUCTION

## ITEM:WF317554 / WF317555

### Step 3



### Step 4



# ASSEMBLY INSTRUCTION

## ITEM:WF317554 / WF317555

### Step 5

**A**

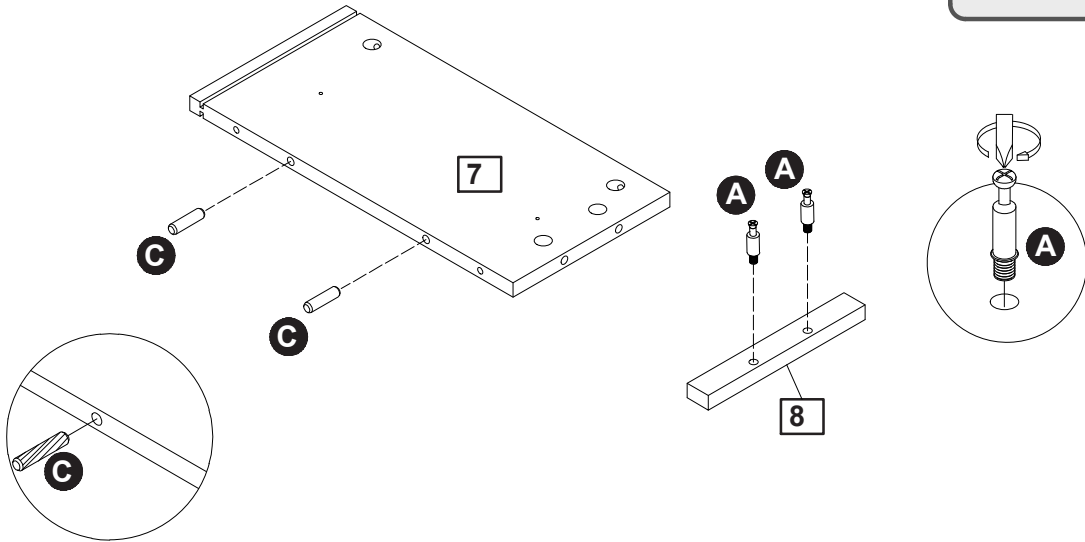


Male Camlock x 2

**C**



Dowel x 2

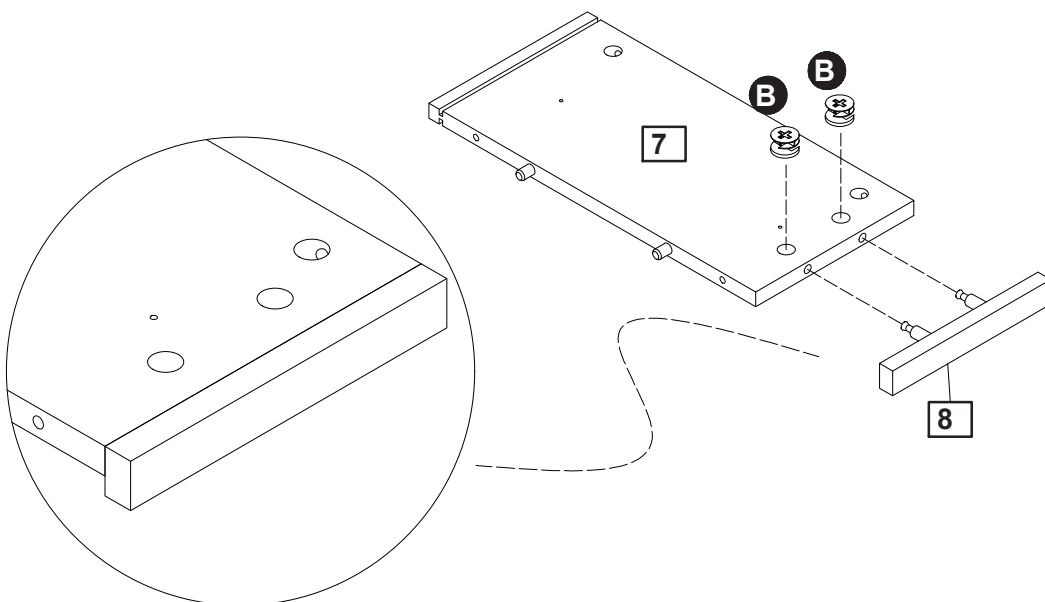
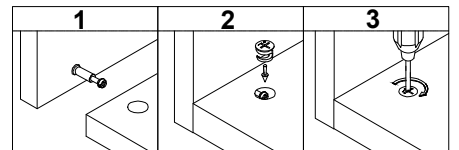


### Step 6

**B**



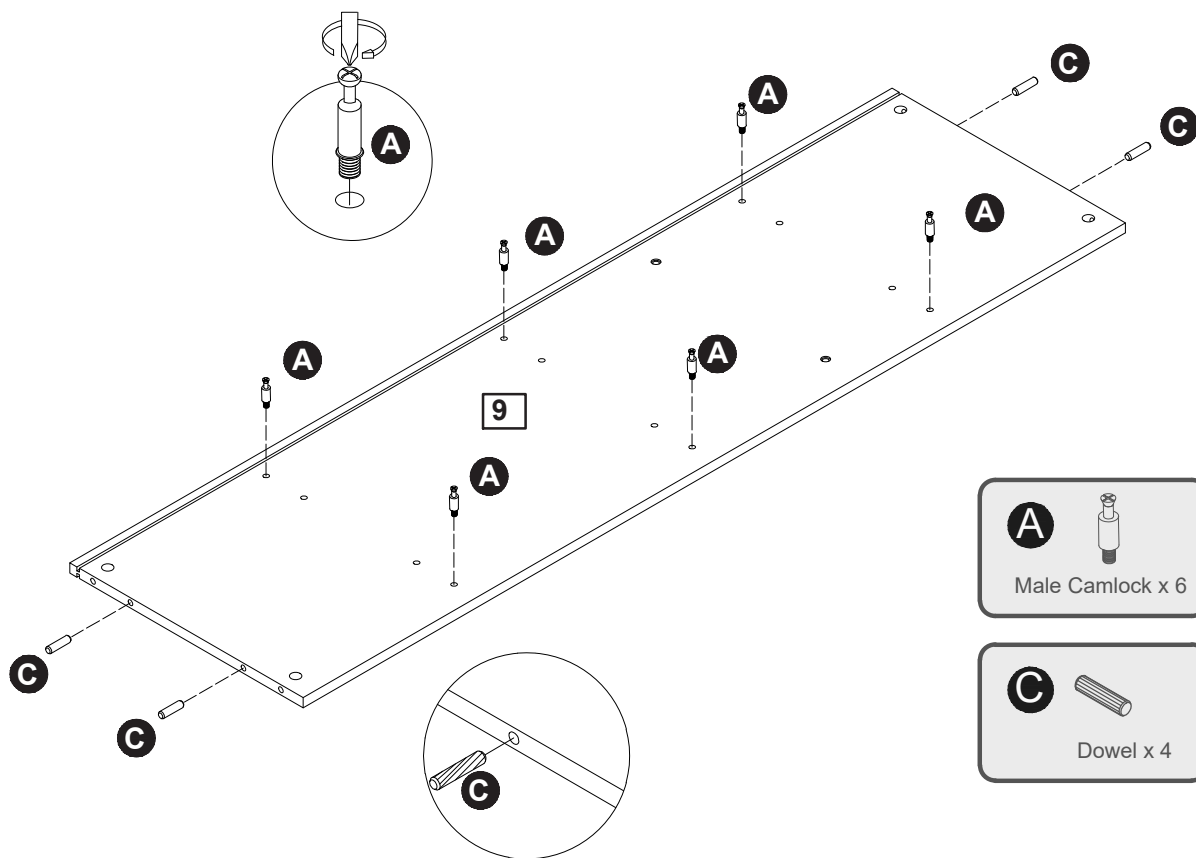
Female Camlock x 2



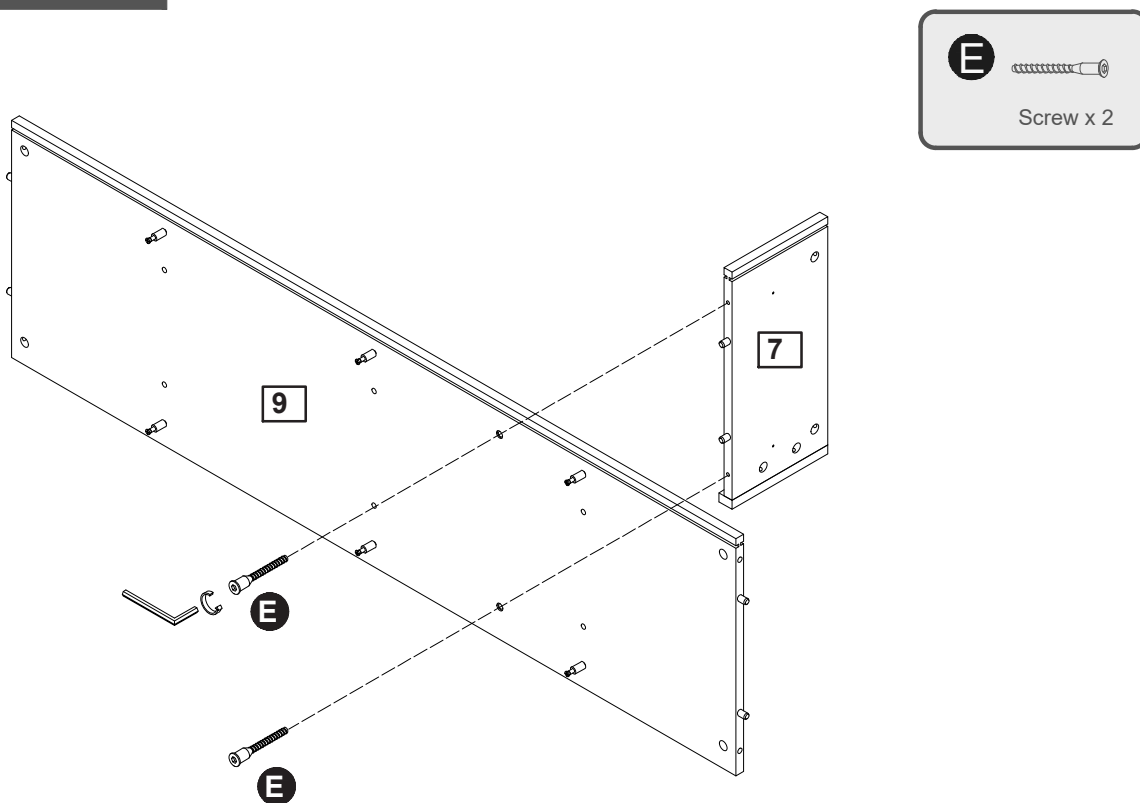
# ASSEMBLY INSTRUCTION

## ITEM:WF317554 / WF317555

### Step 7



### Step 8



# ASSEMBLY INSTRUCTION

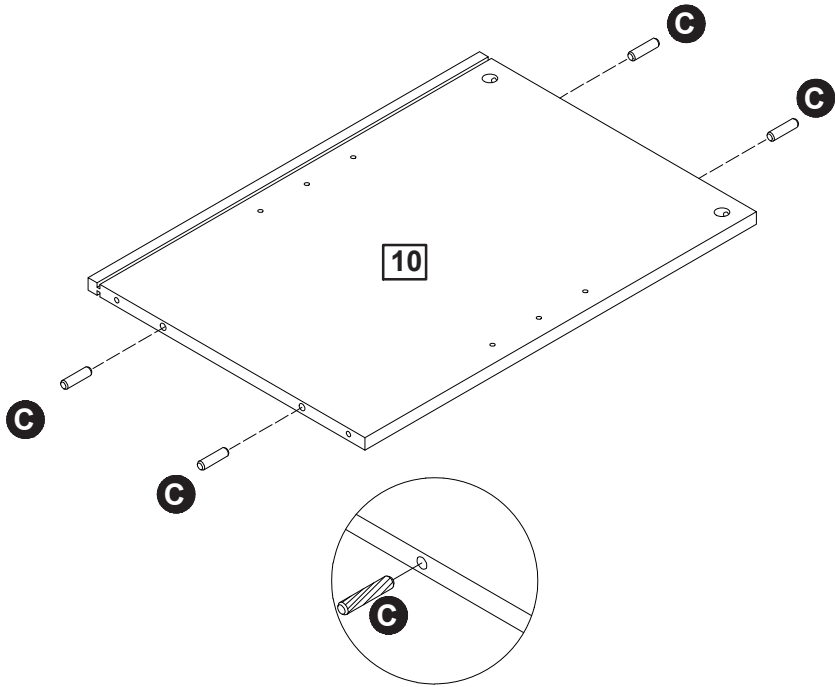
## ITEM:WF317554 / WF317555

### Step 9

**C**



Dowel x 4

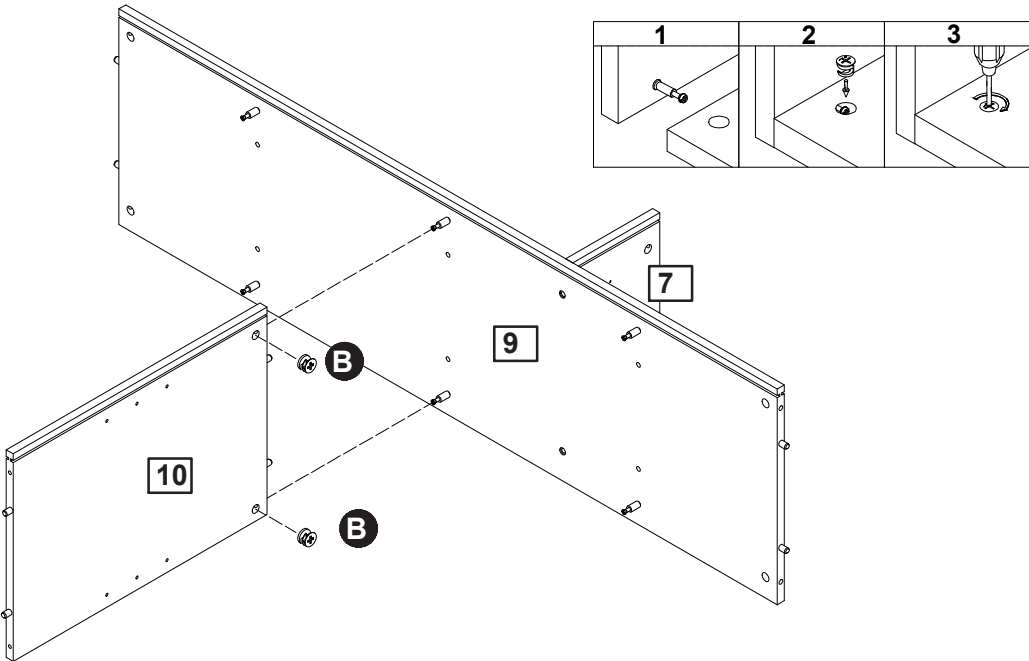


### Step 10

**B**



Female Camlock x 2



# ASSEMBLY INSTRUCTION

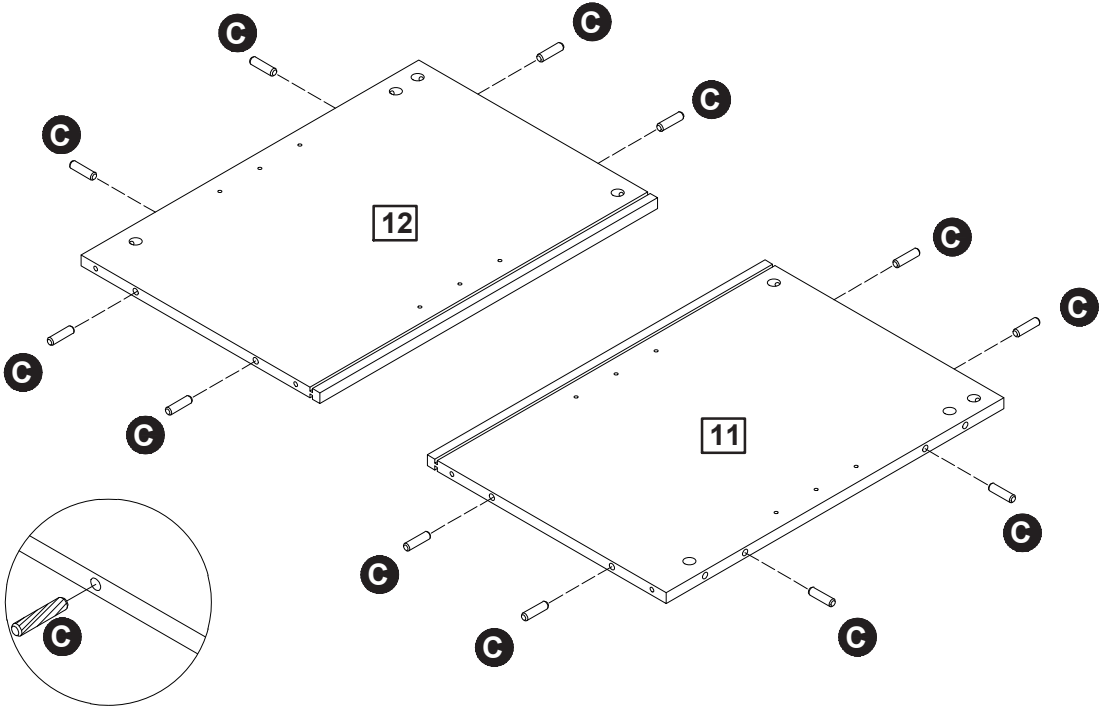
## ITEM:WF317554 / WF317555

### Step 11

C



Dowel x 12

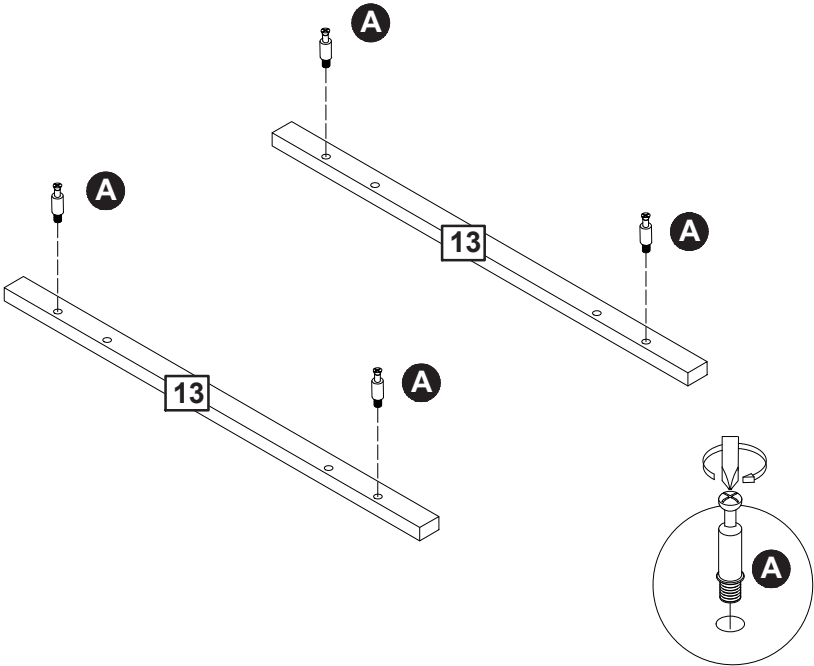


### Step 12

A




Male Camlock x 4

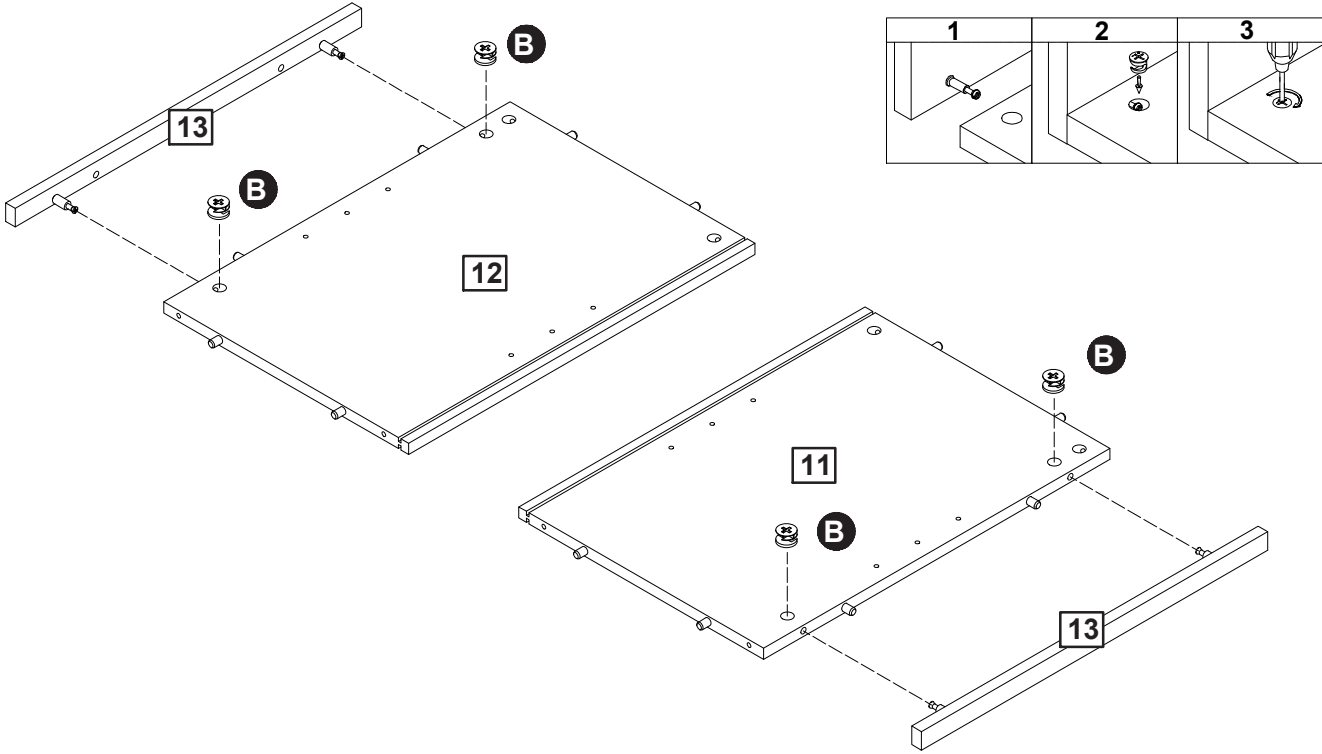


# ASSEMBLY INSTRUCTION


## ITEM:WF317554 / WF317555

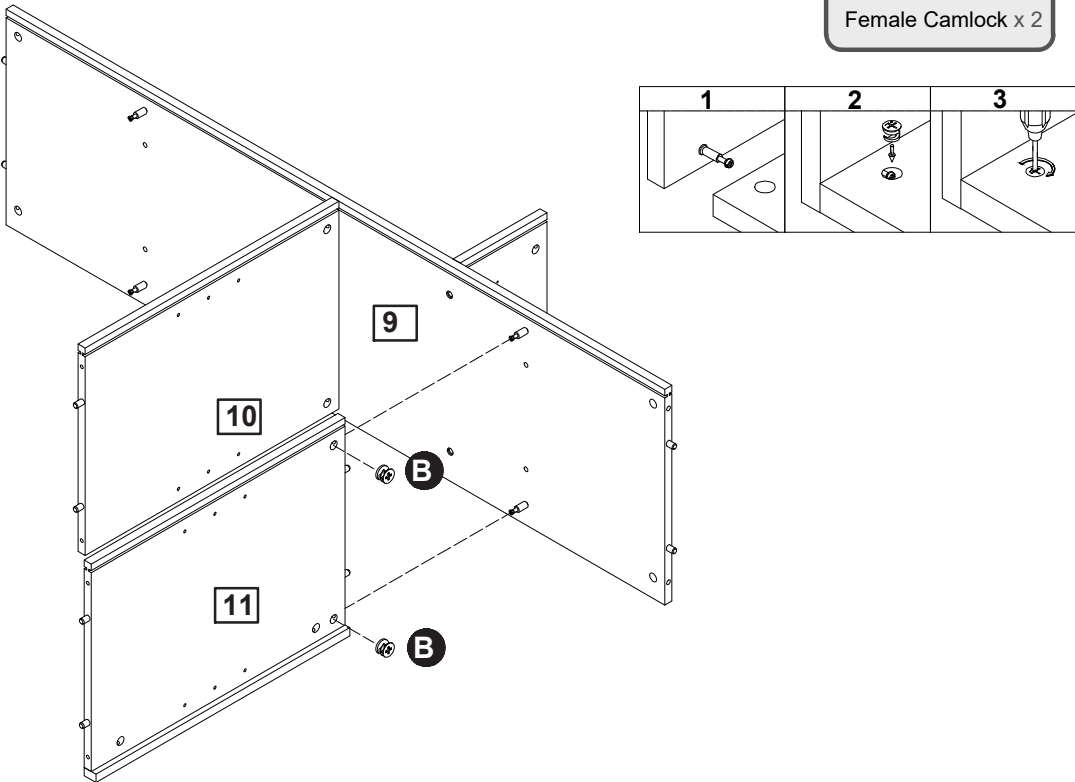
### Step 13

**B**   
Female Camlock x 4



### Step 14

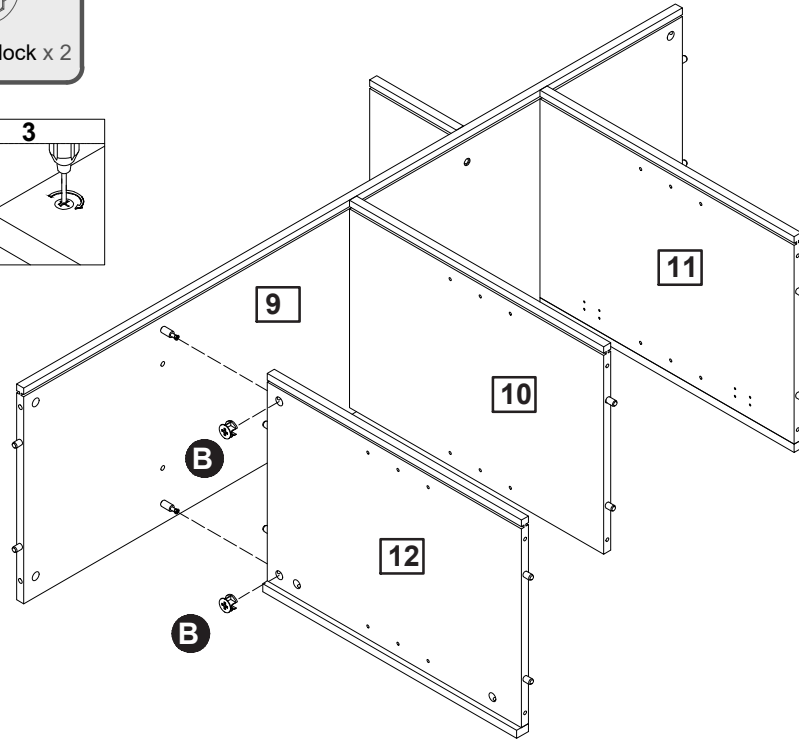
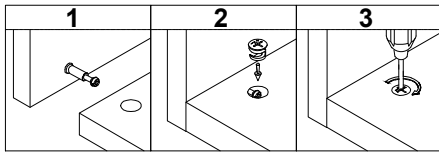
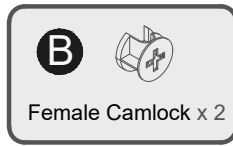
**B**   
Female Camlock x 2



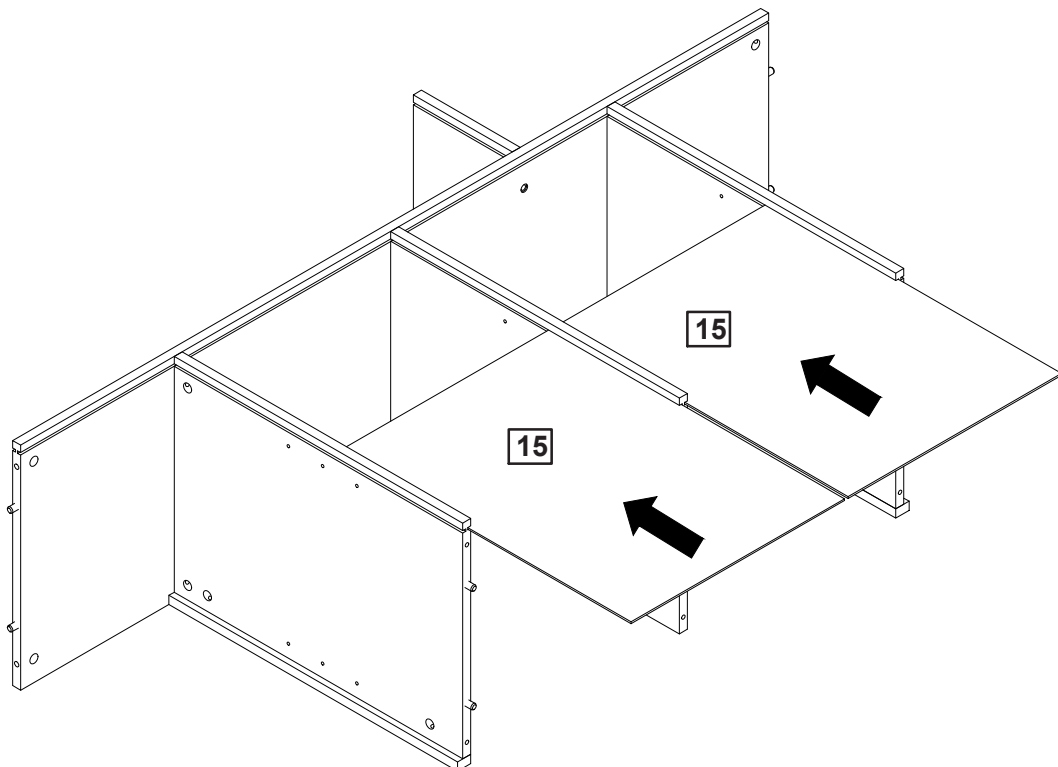
# ASSEMBLY INSTRUCTION

## ITEM:WF317554 / WF317555

### Step 15



### Step 16



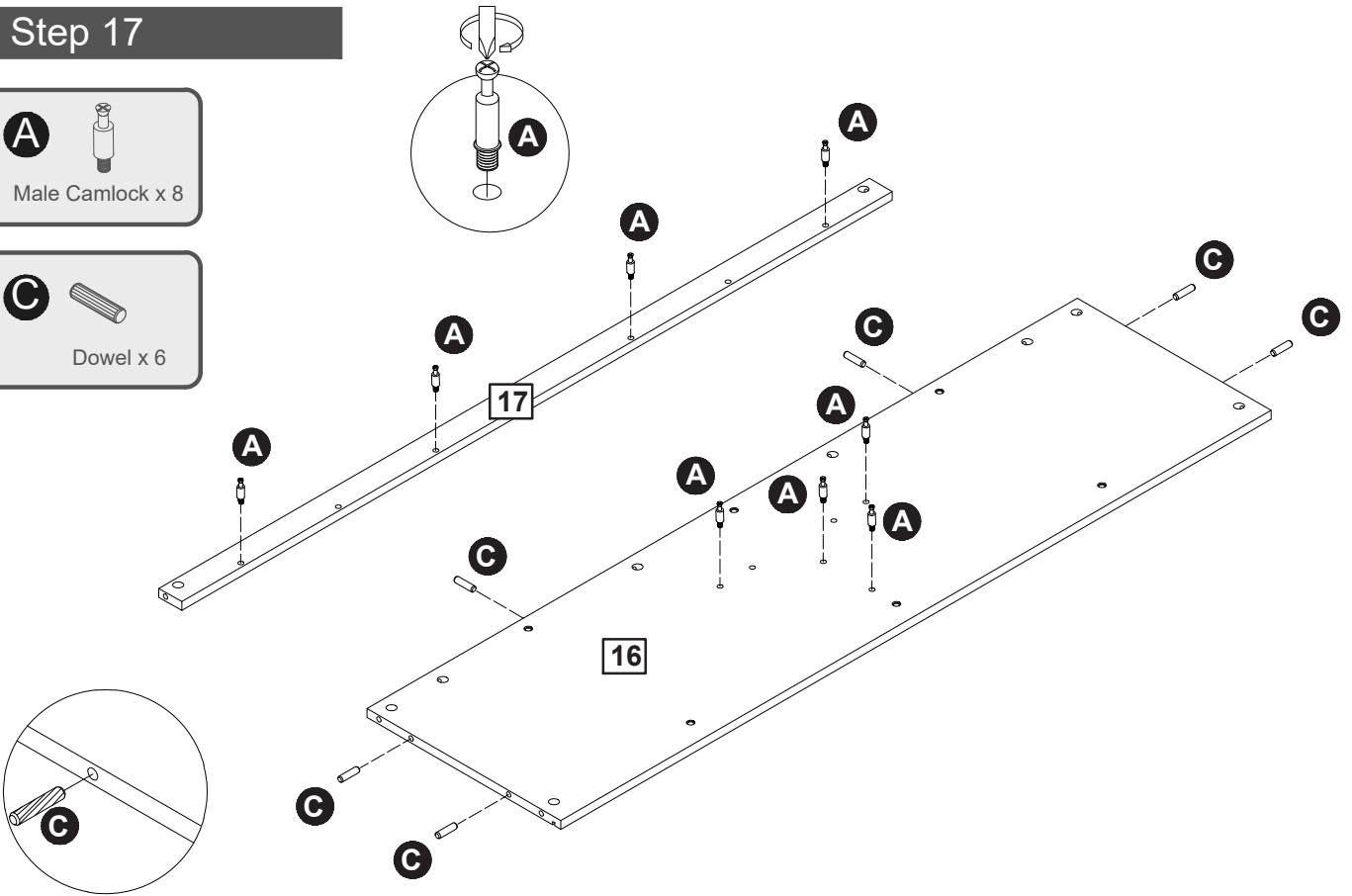
# ASSEMBLY INSTRUCTION

## ITEM:WF317554 / WF317555

### Step 17

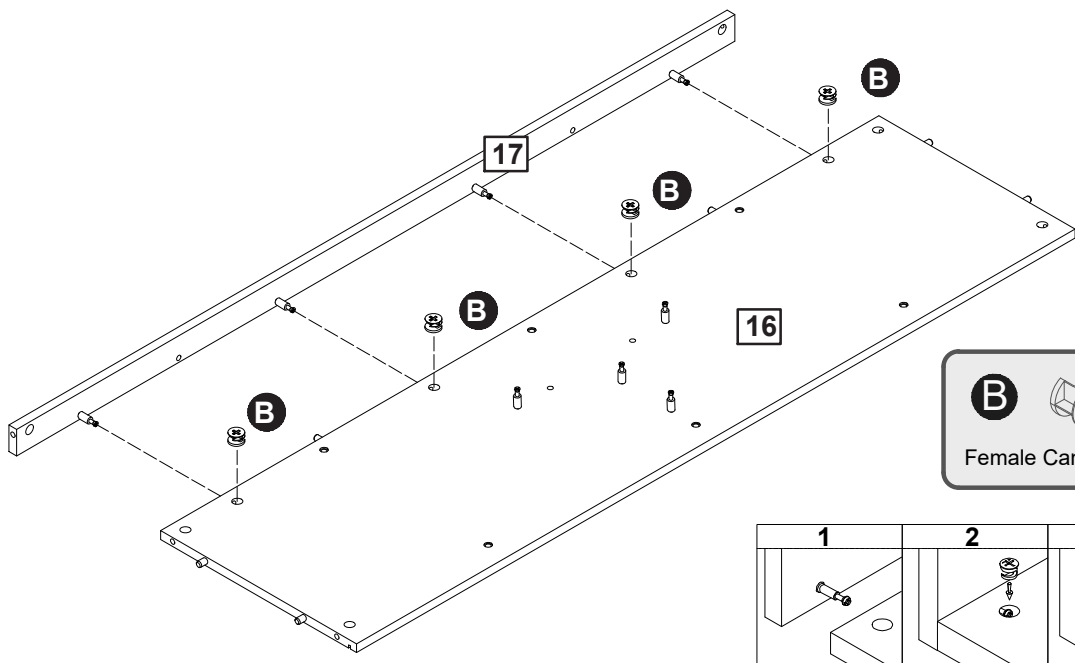
**A**   
Male Camlock x 8

**C**   
Dowel x 6



### Step 18

**B**   
Female Camlock x 4

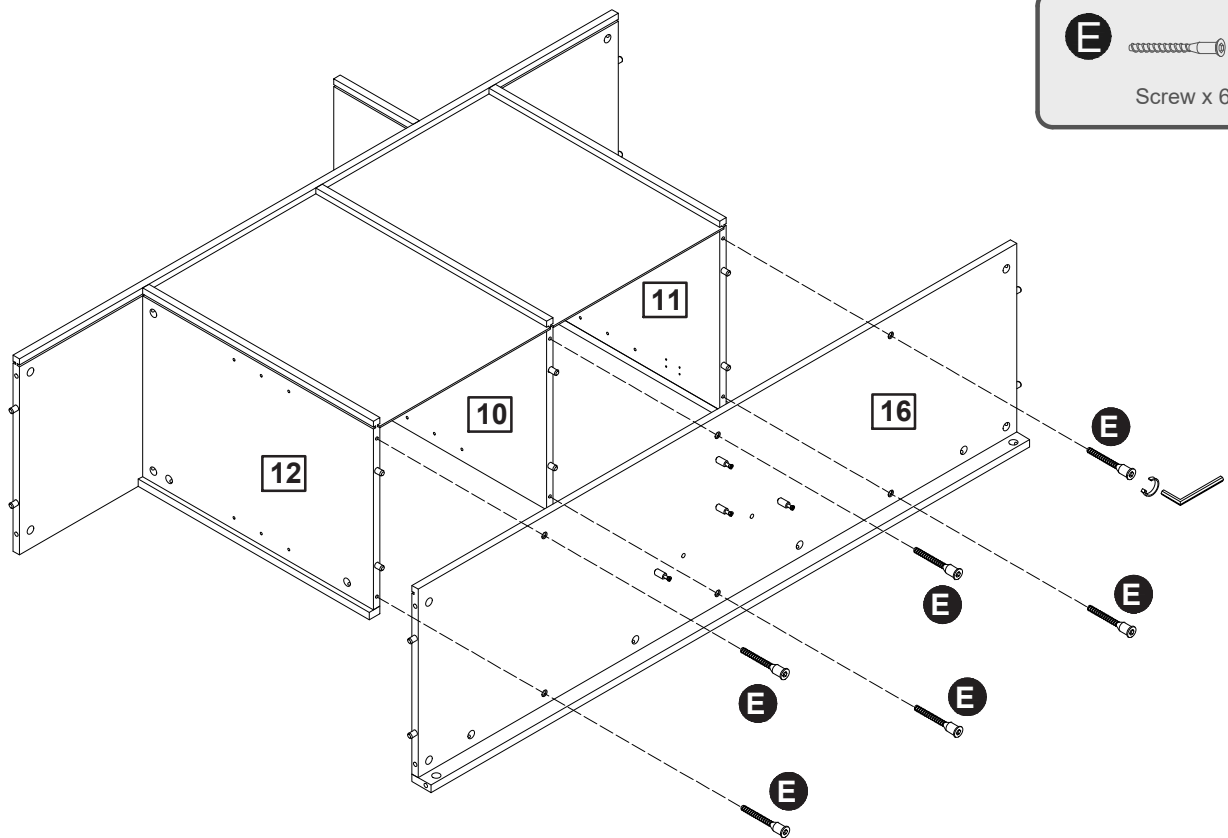




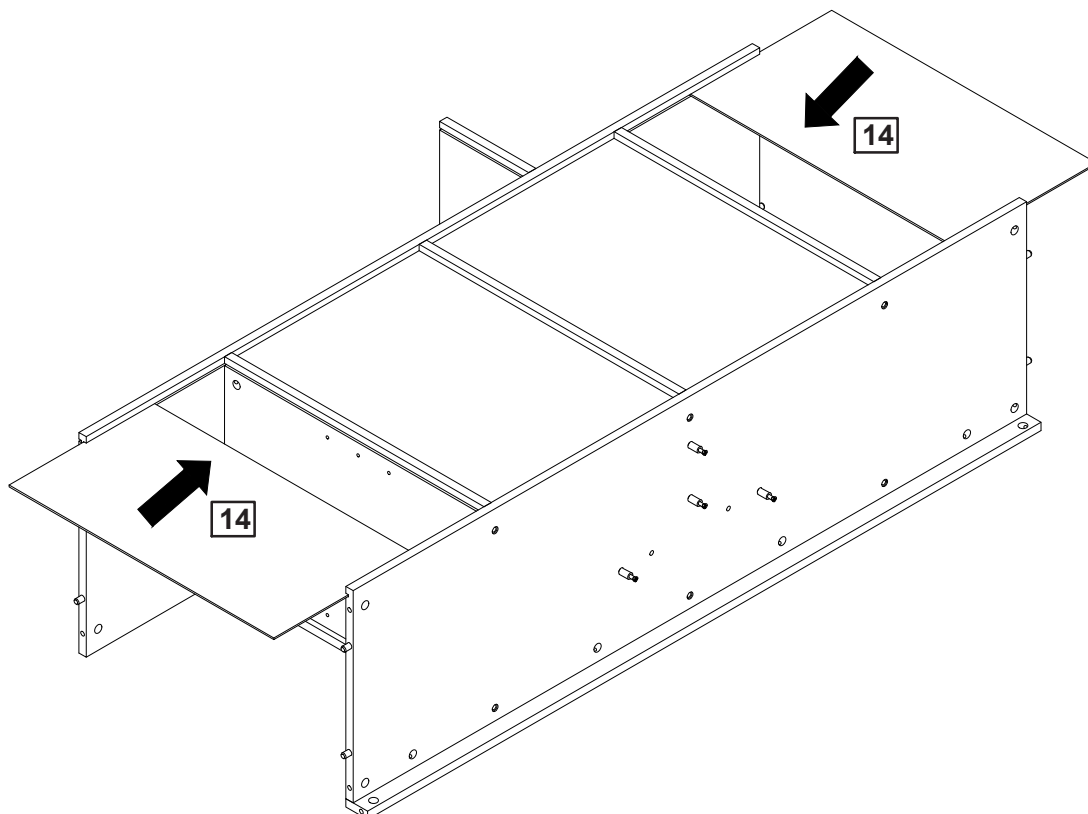
# ASSEMBLY INSTRUCTION

## ITEM:WF317554 / WF317555

### Step 19



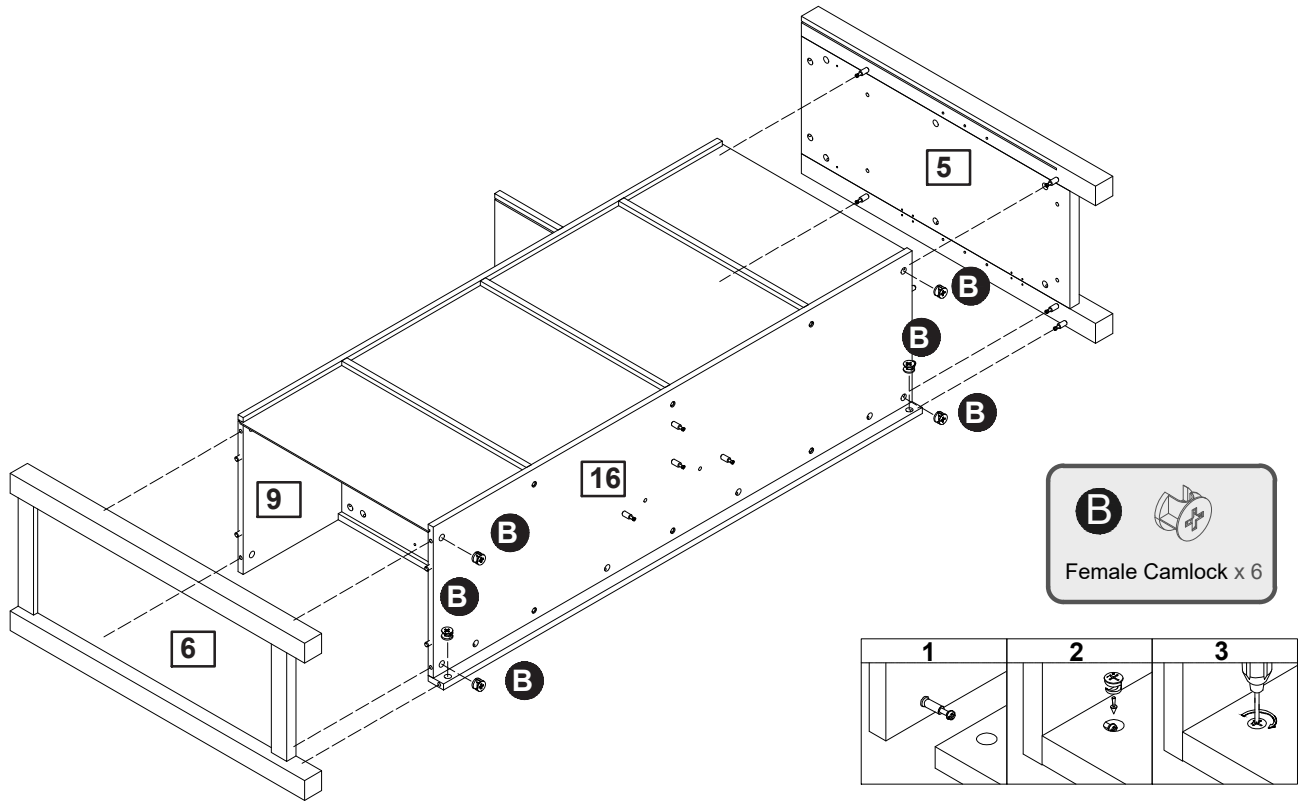
### Step 20



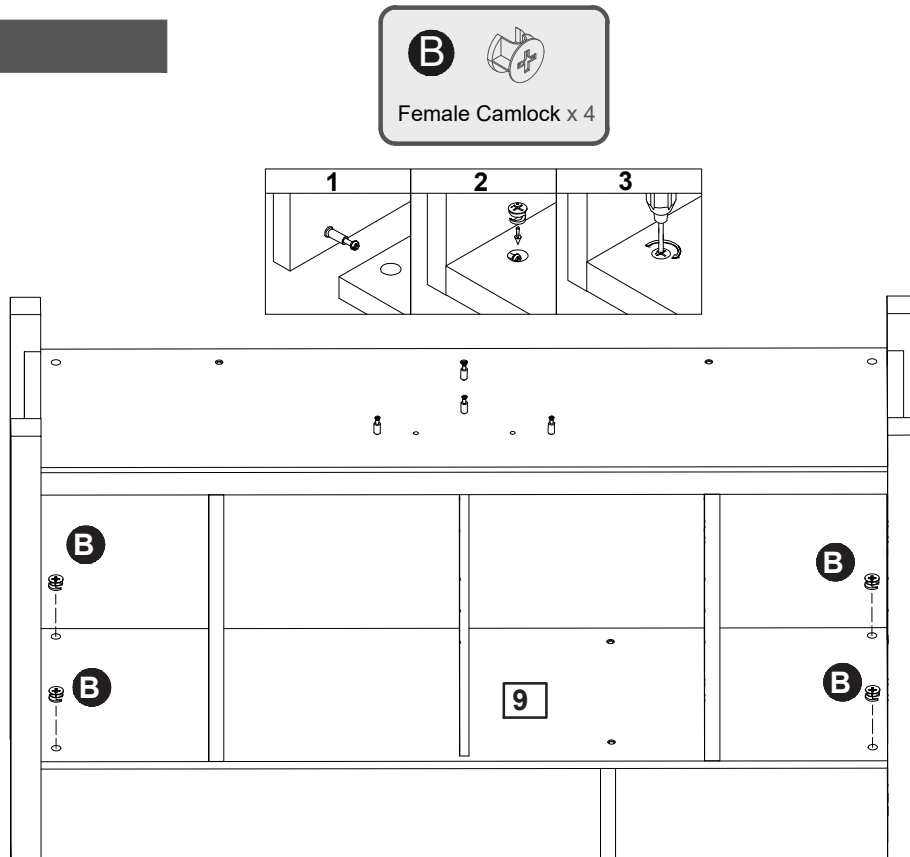
# ASSEMBLY INSTRUCTION

## ITEM:WF317554 / WF317555

### Step 21



### Step 22



# ASSEMBLY INSTRUCTION

## ITEM:WF317554 / WF317555

### Step 23

**A**

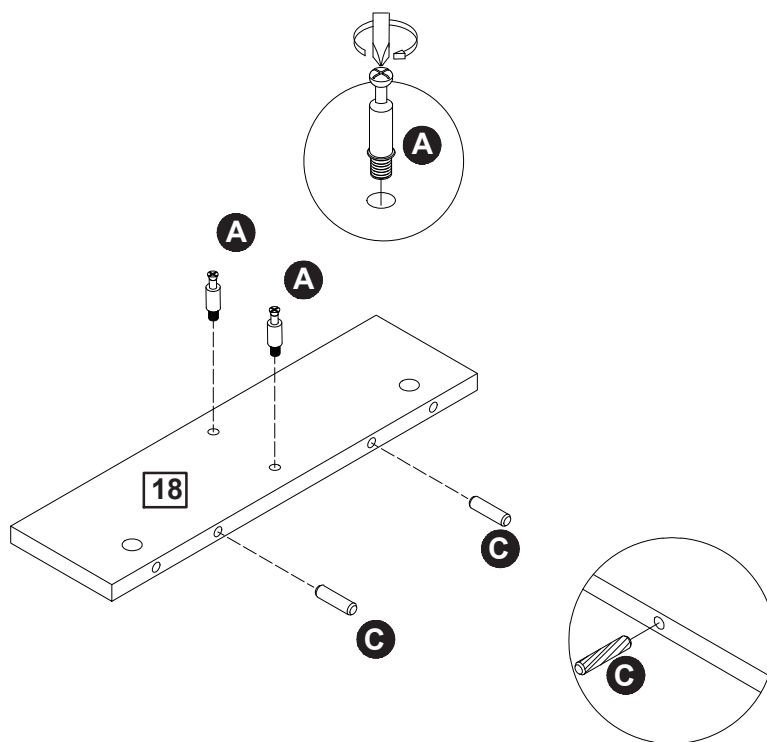


Male Camlock x 2

**C**



Dowel x 2

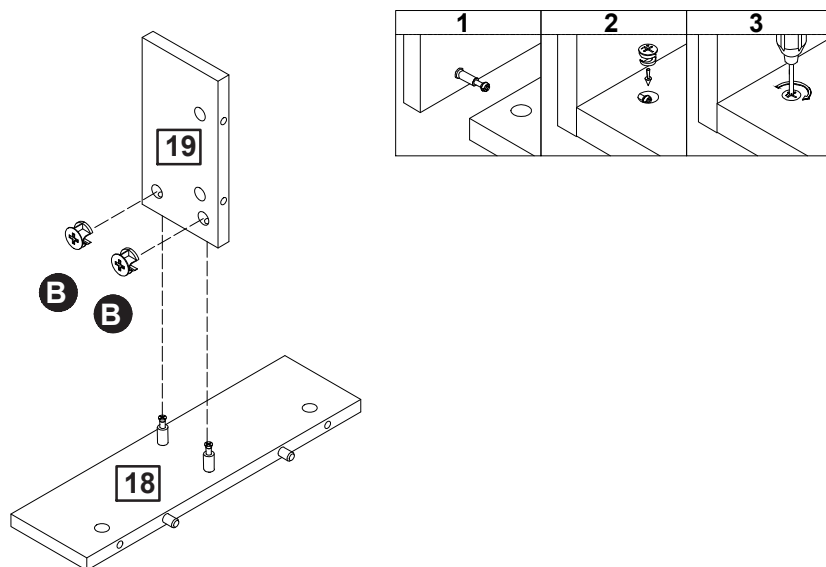


### Step 24

**B**



Female Camlock x 2

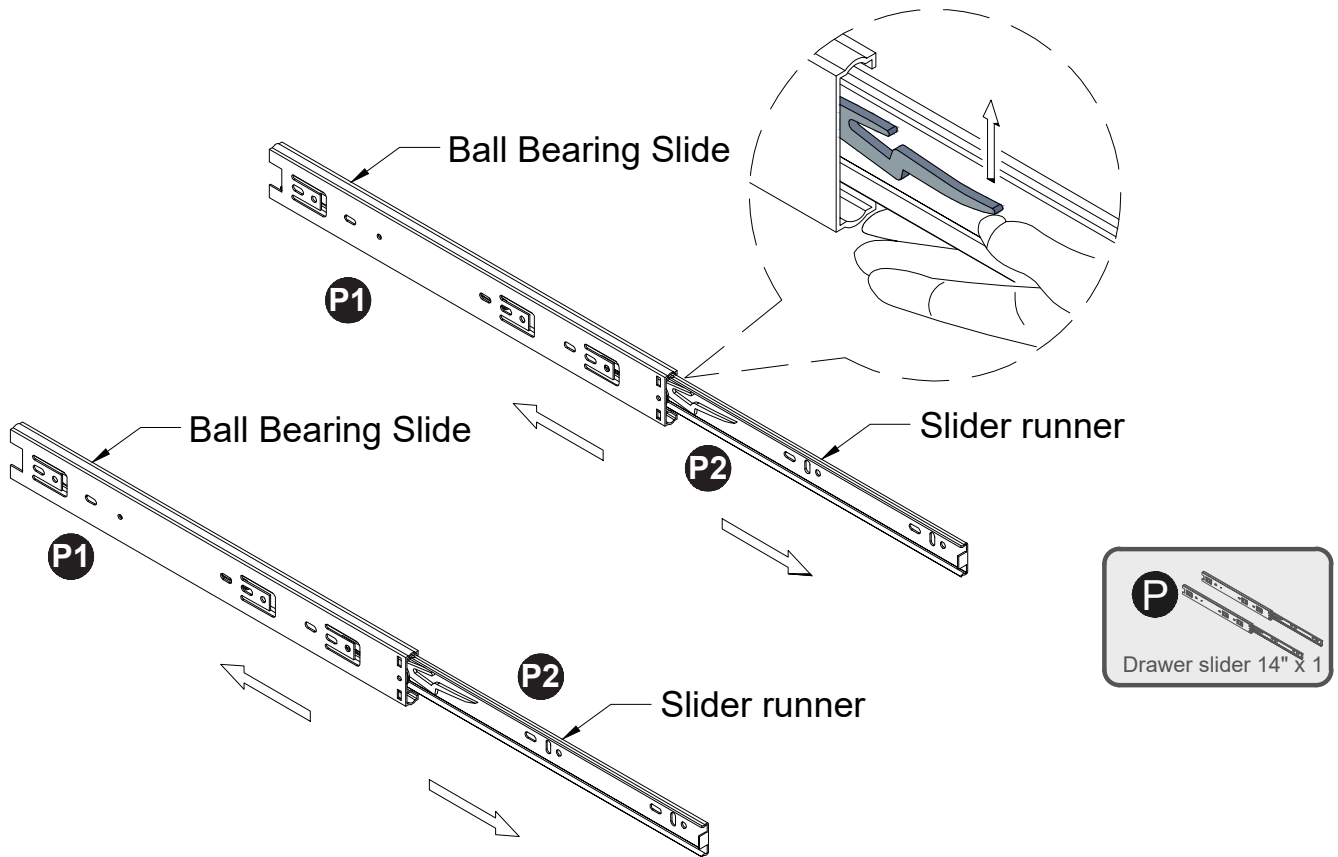




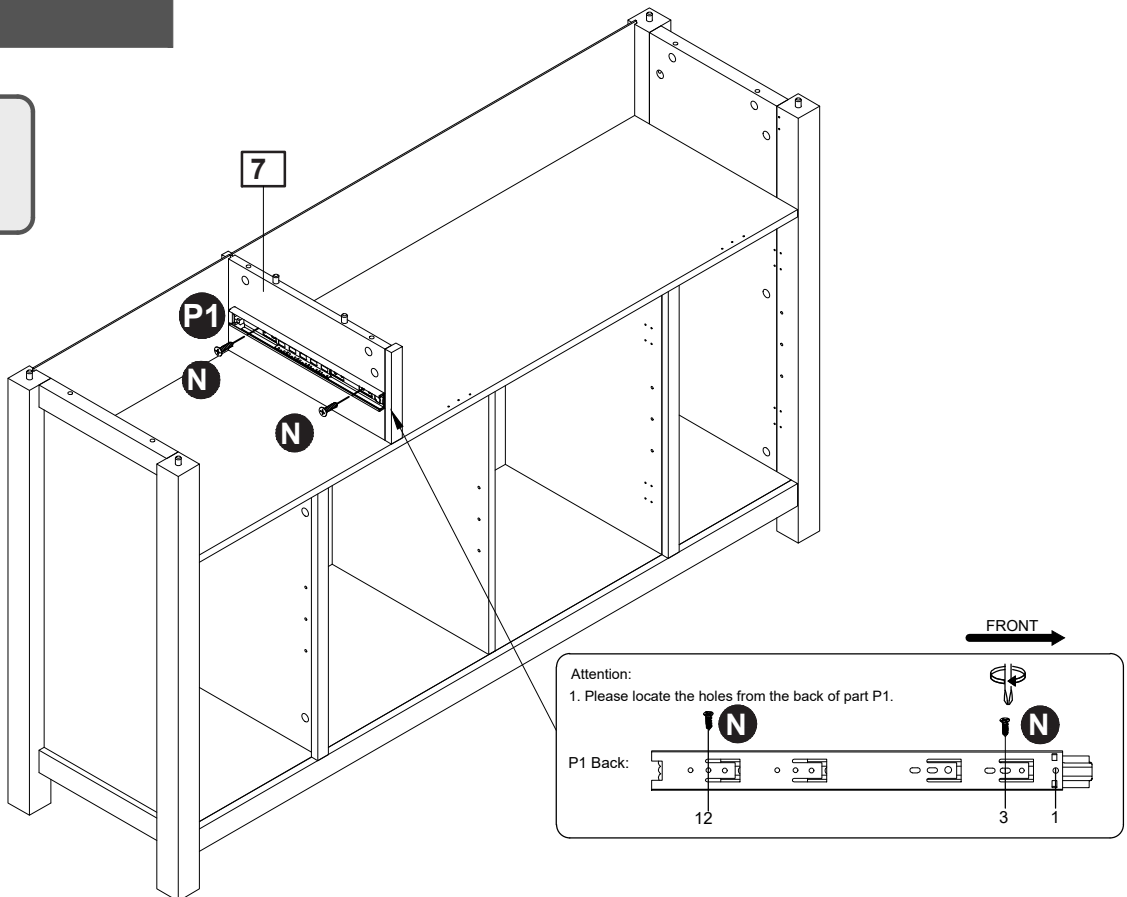
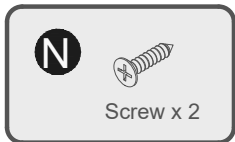
# ASSEMBLY INSTRUCTION

## ITEM:WF317554 / WF317555

### Step 27



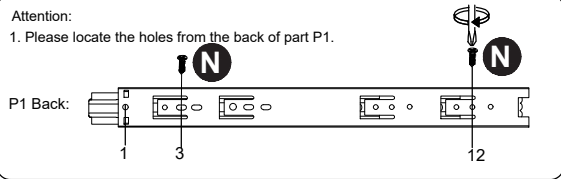
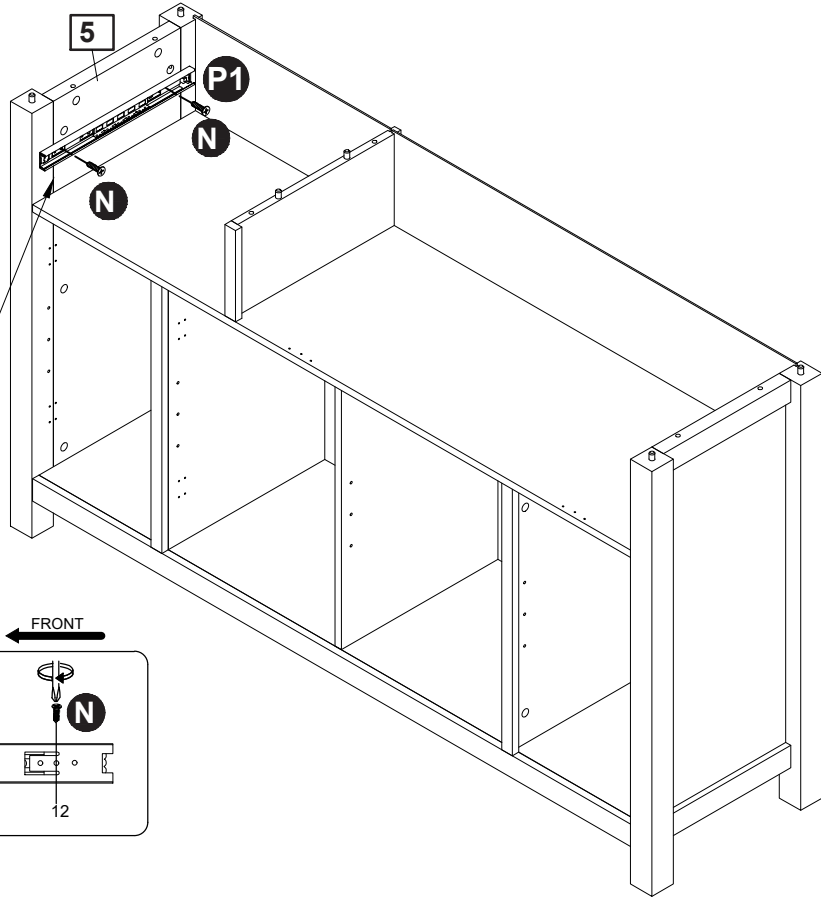
### Step 28



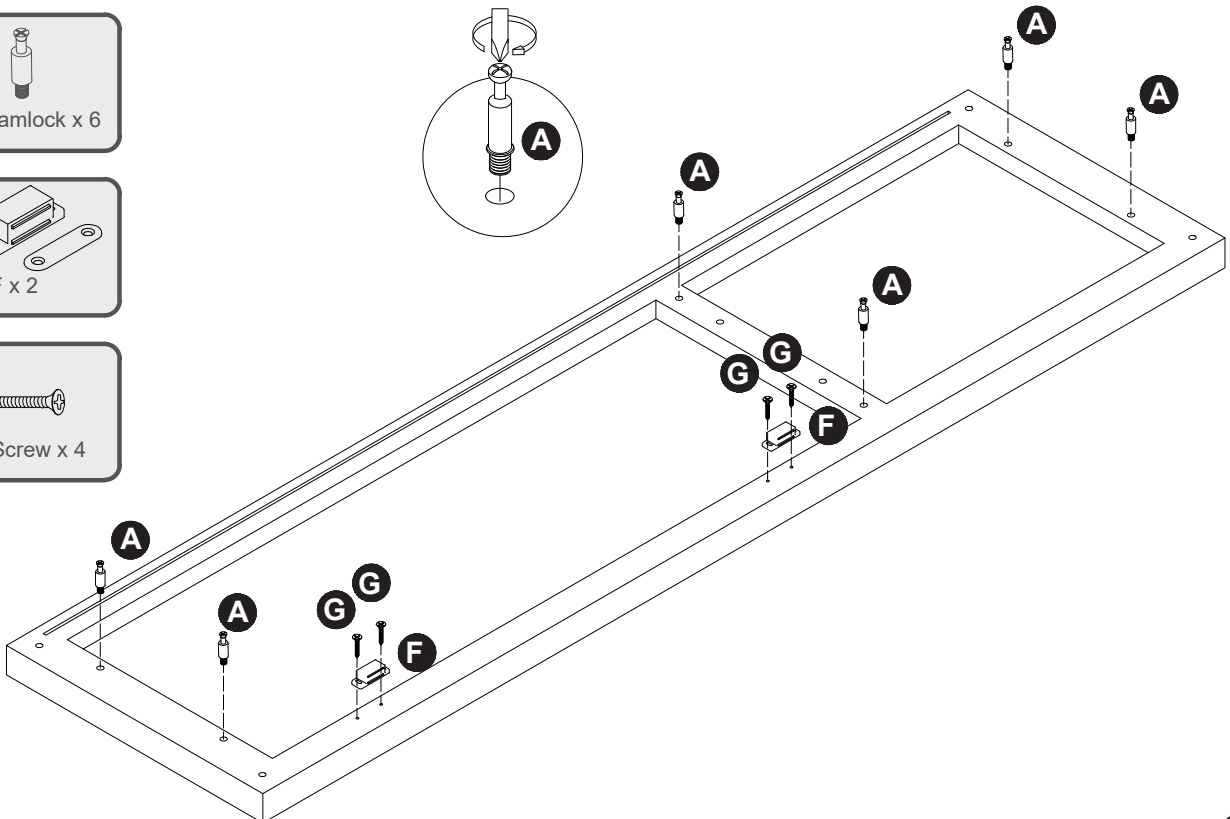
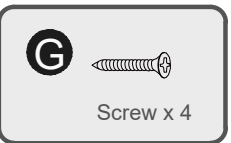
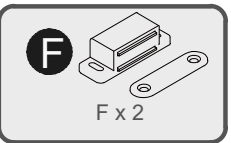
# ASSEMBLY INSTRUCTION

## ITEM:WF317554 / WF317555

### Step 29



### Step 30



# ASSEMBLY INSTRUCTION

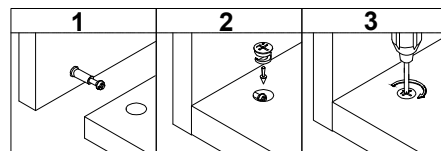
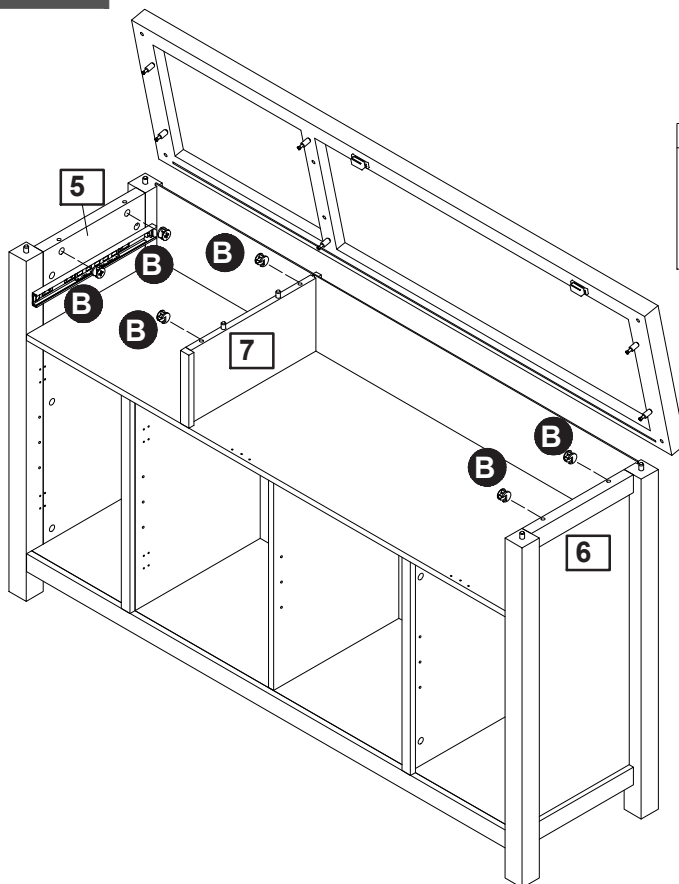
## ITEM:WF317554 / WF317555

### Step 31

**B**



Female Camlock x 6



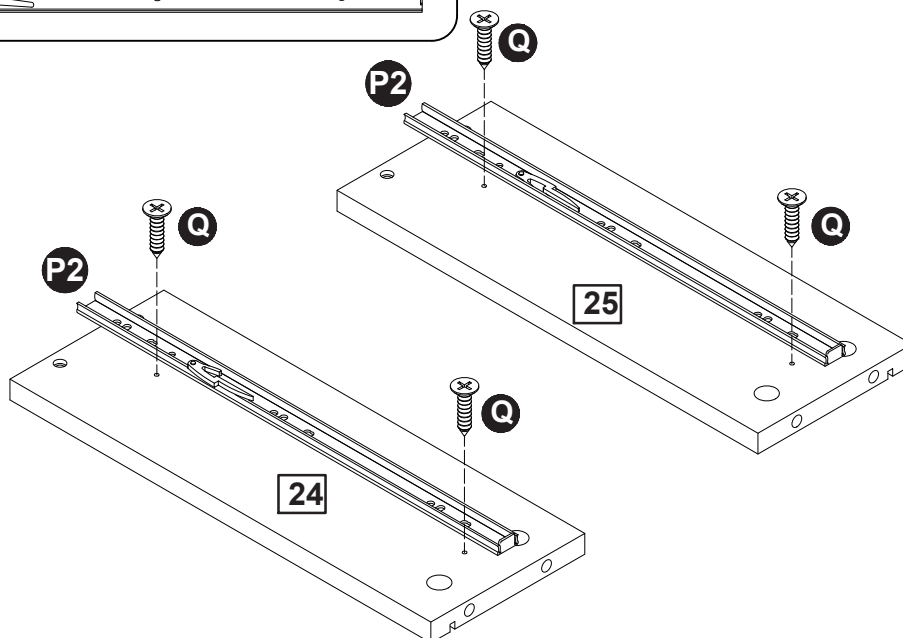
### Step 32

**Q**



Screw x 4

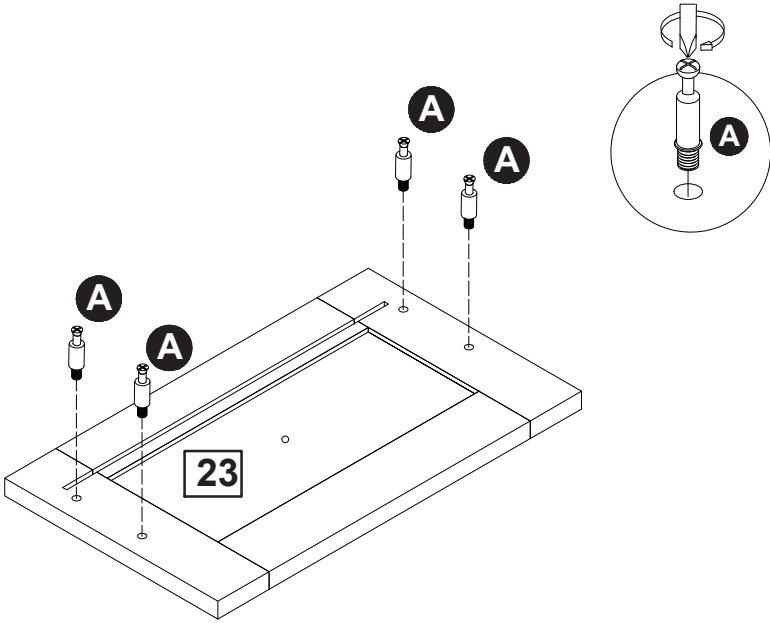
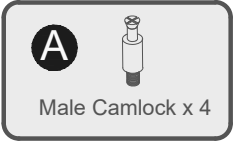
FRONT →



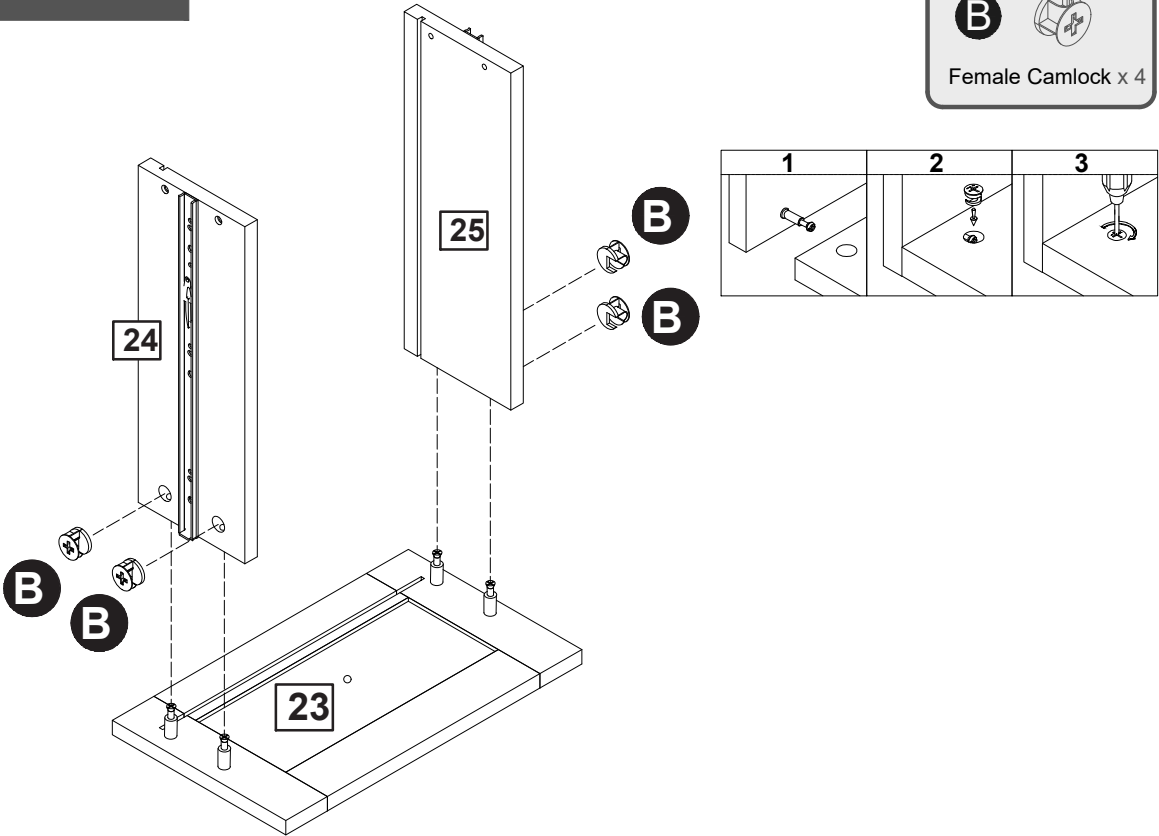
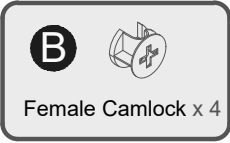
# ASSEMBLY INSTRUCTION

## ITEM:WF317554 / WF317555

### Step 33



### Step 34

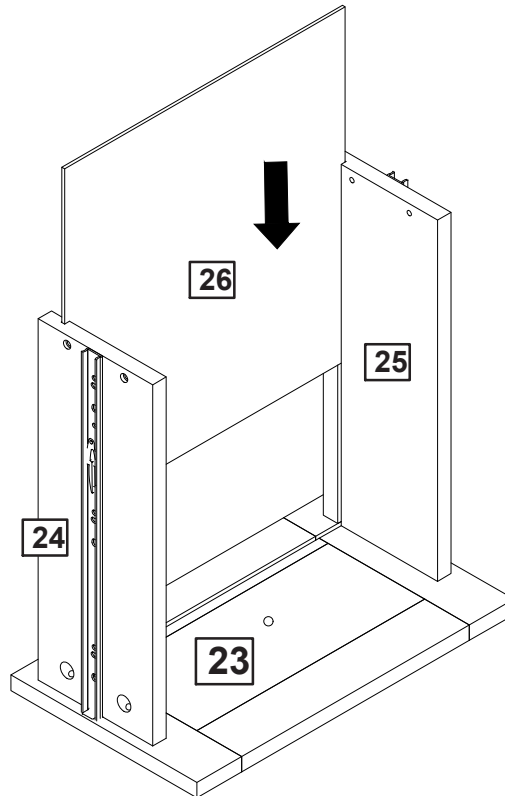




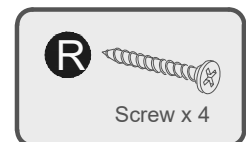
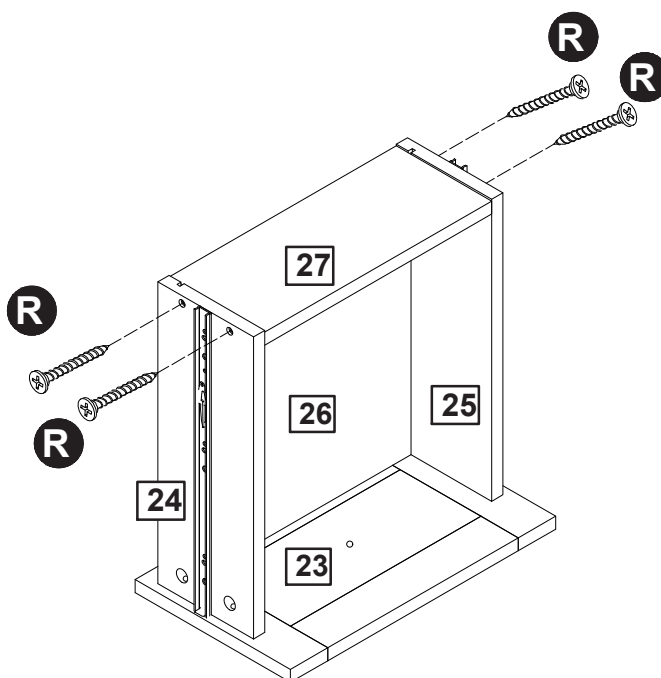
# ASSEMBLY INSTRUCTION

## ITEM:WF317554 / WF317555

### Step 35



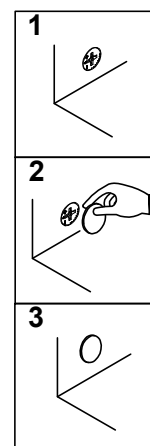
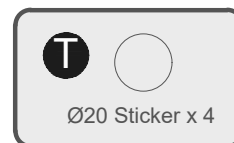
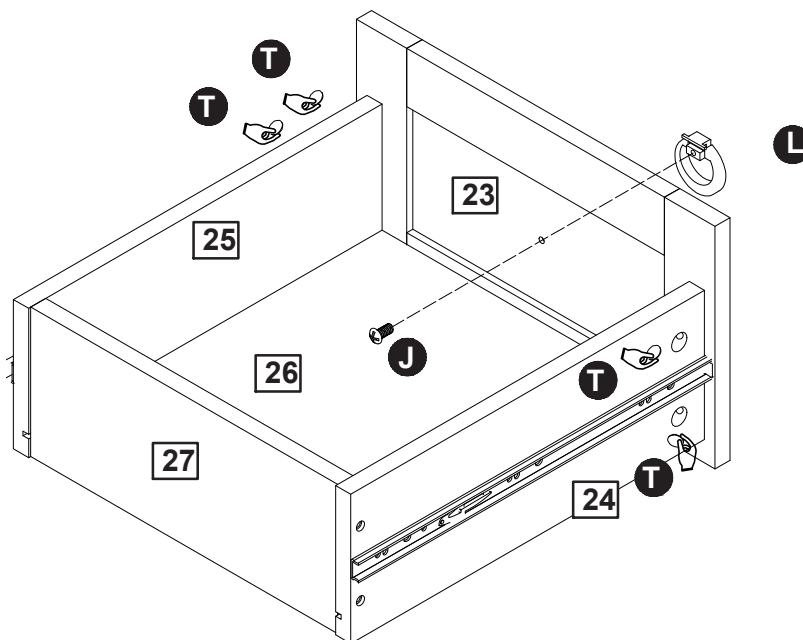
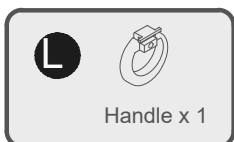
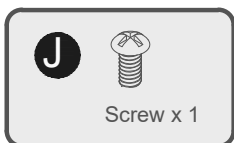
### Step 36



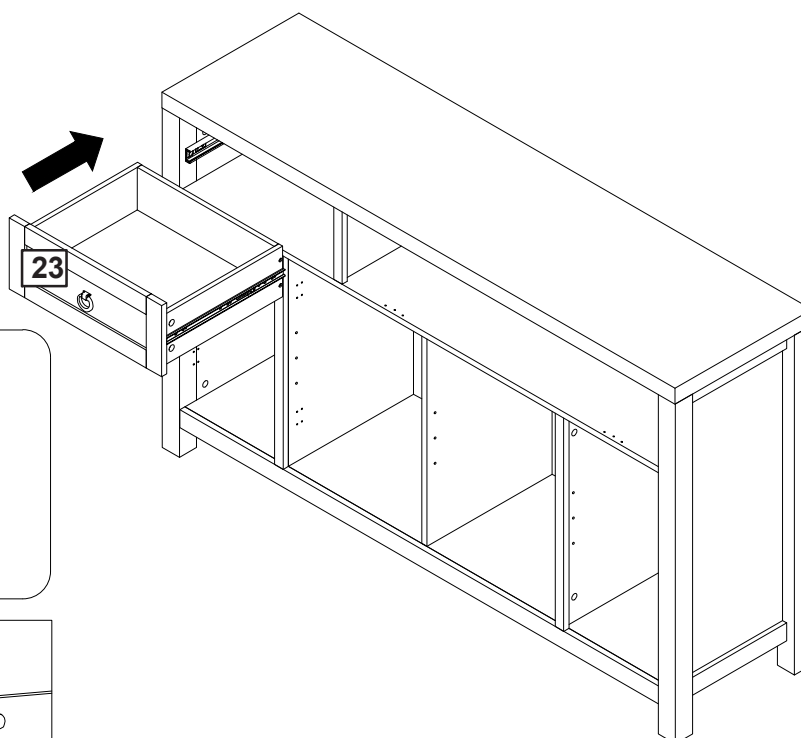
# ASSEMBLY INSTRUCTION

## ITEM:WF317554 / WF317555

### Step 37



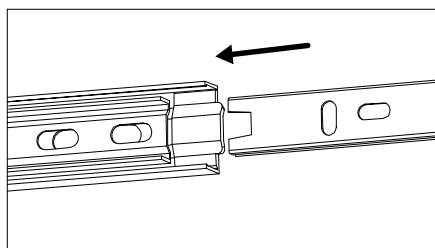
### Step 38



#### Attention:

1. Align the slide runners on the drawer with the unit and push it carefully inside until it stops.

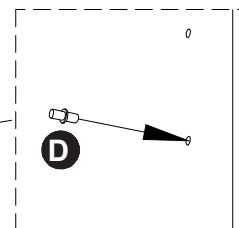
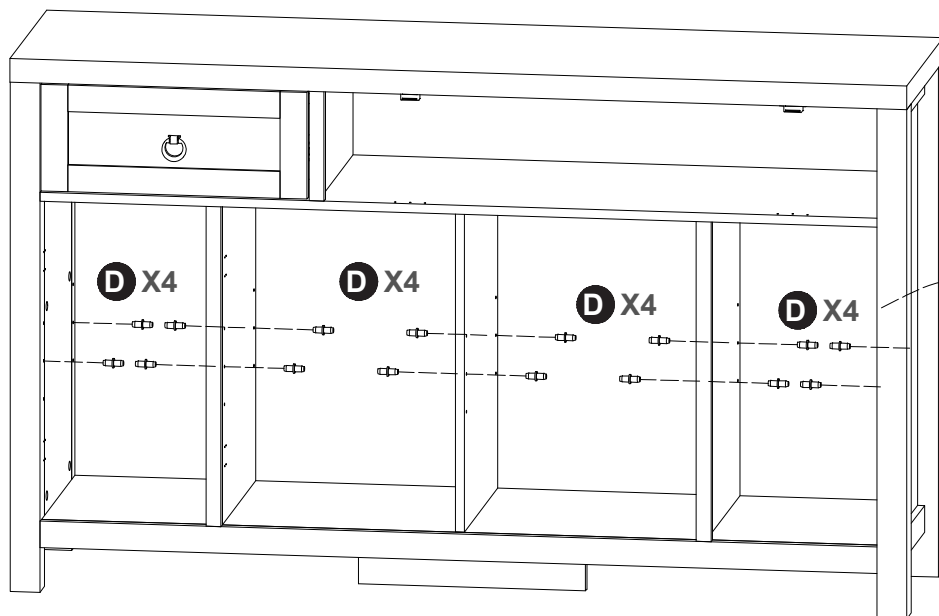
★ If the drawer does not go in smoothly please take it out and repeat the step.



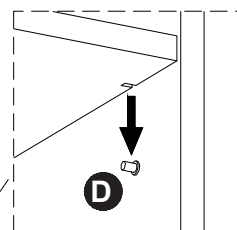
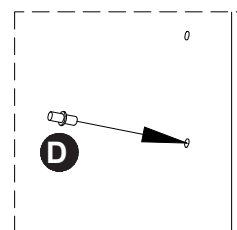
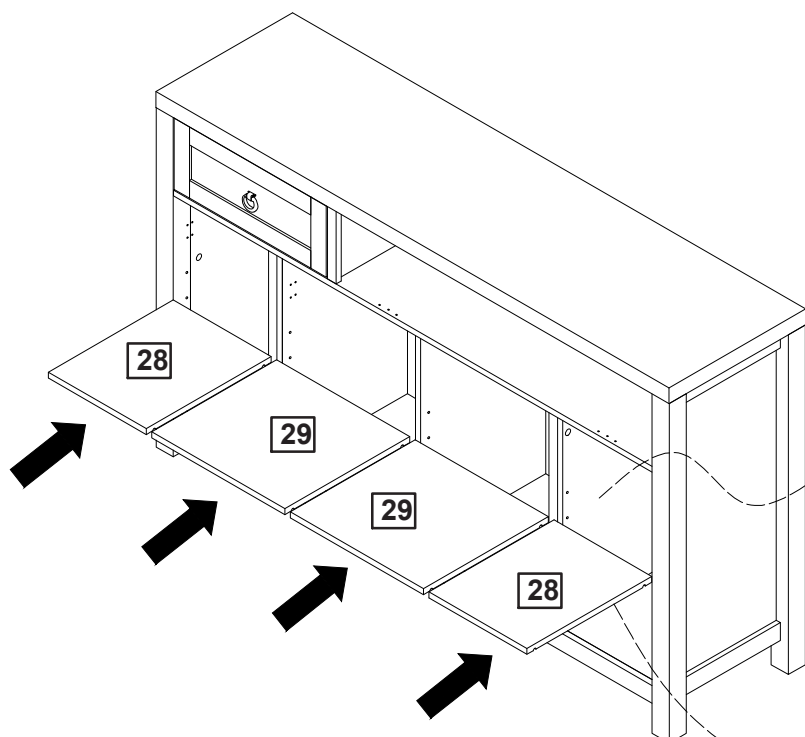
# ASSEMBLY INSTRUCTION

## ITEM:WF317554 / WF317555

### Step 39



### Step 40



# ASSEMBLY INSTRUCTION

## ITEM:WF317554 / WF317555

### Step 41



Screw x 2



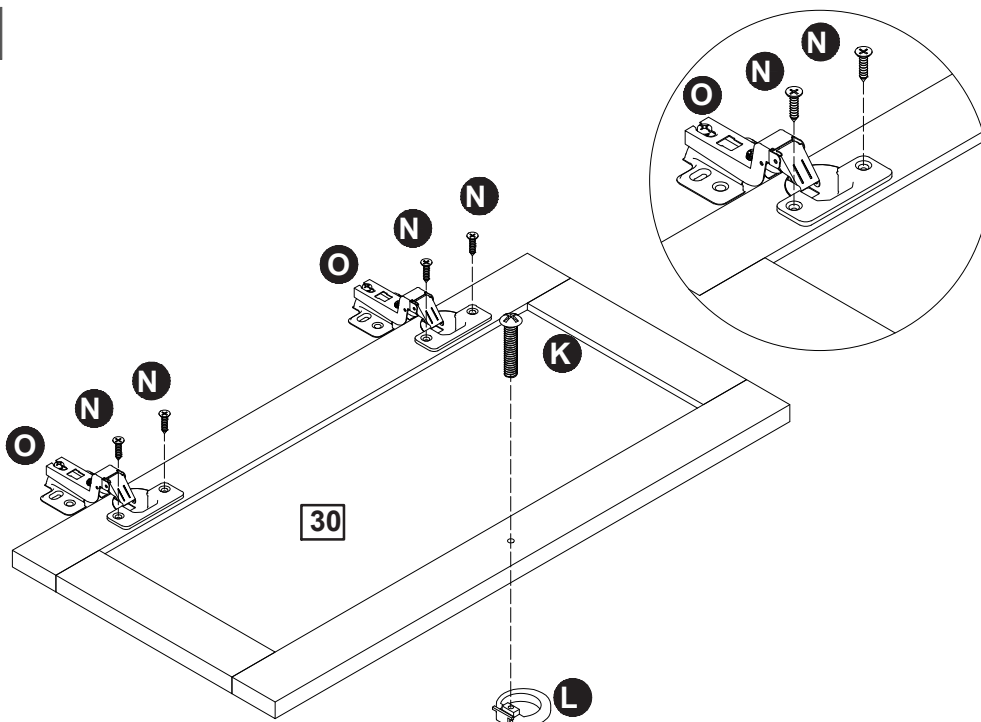
Handle x 2



Screw x 8



Door Hinge x 4



# X2

### Step 42



Screw x 2



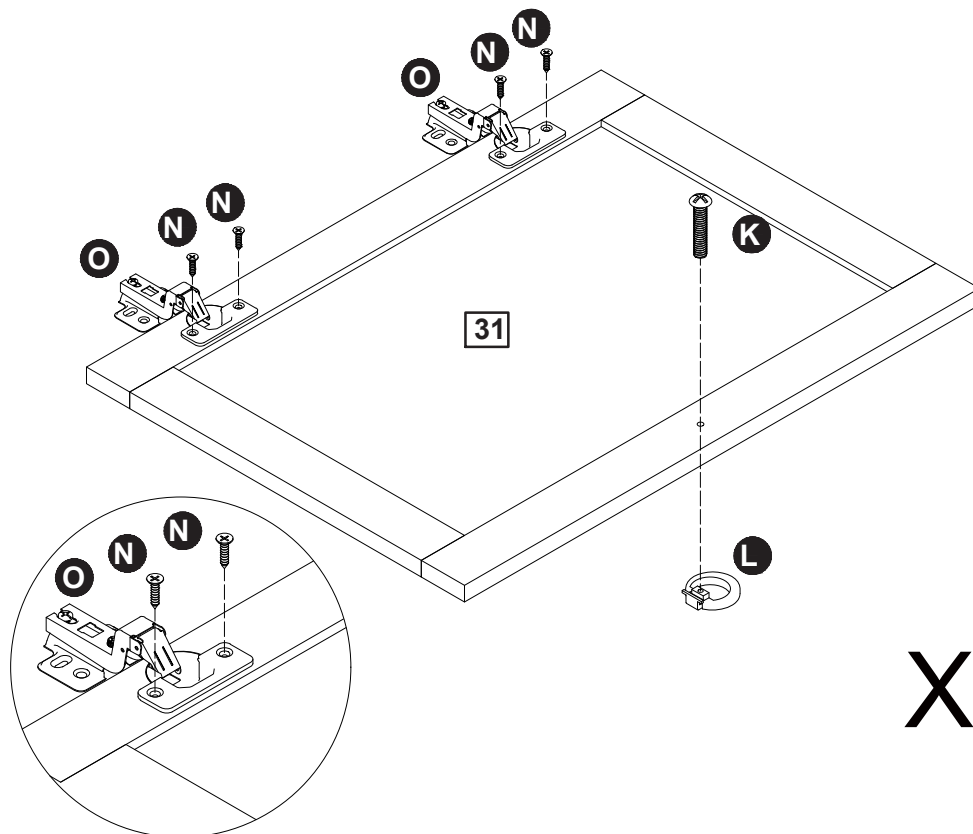
Handle x 2



Screw x 8



Door Hinge x 4

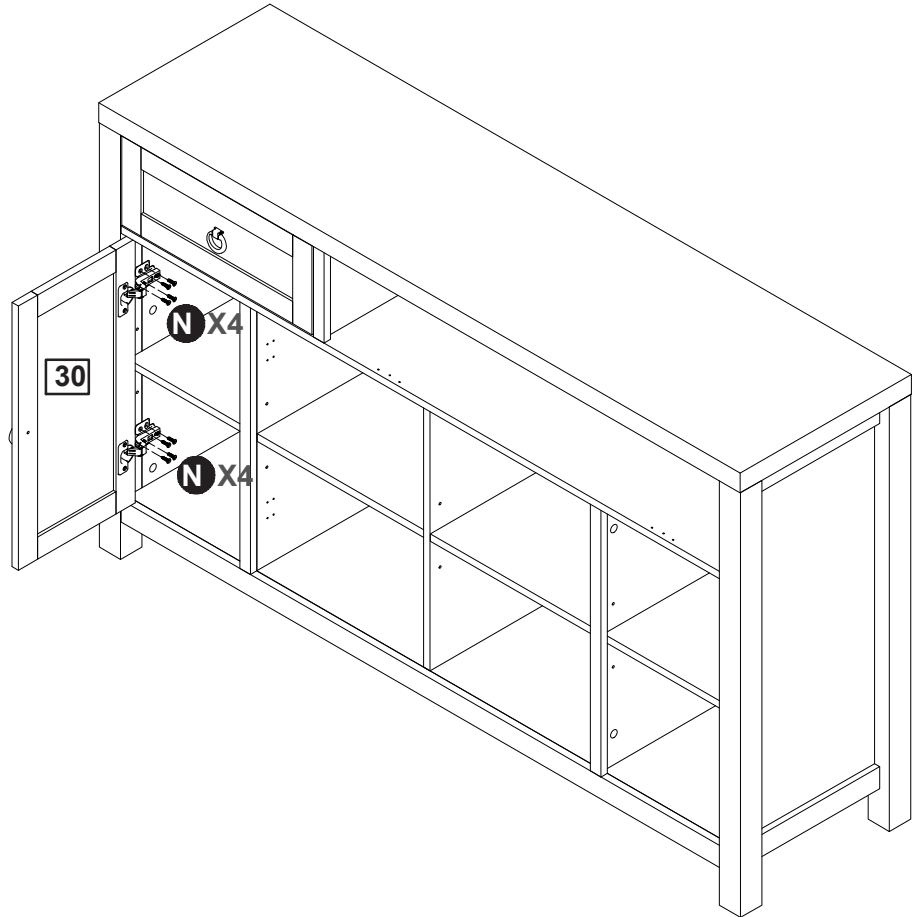
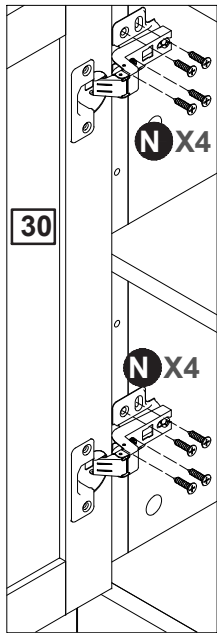


# X2

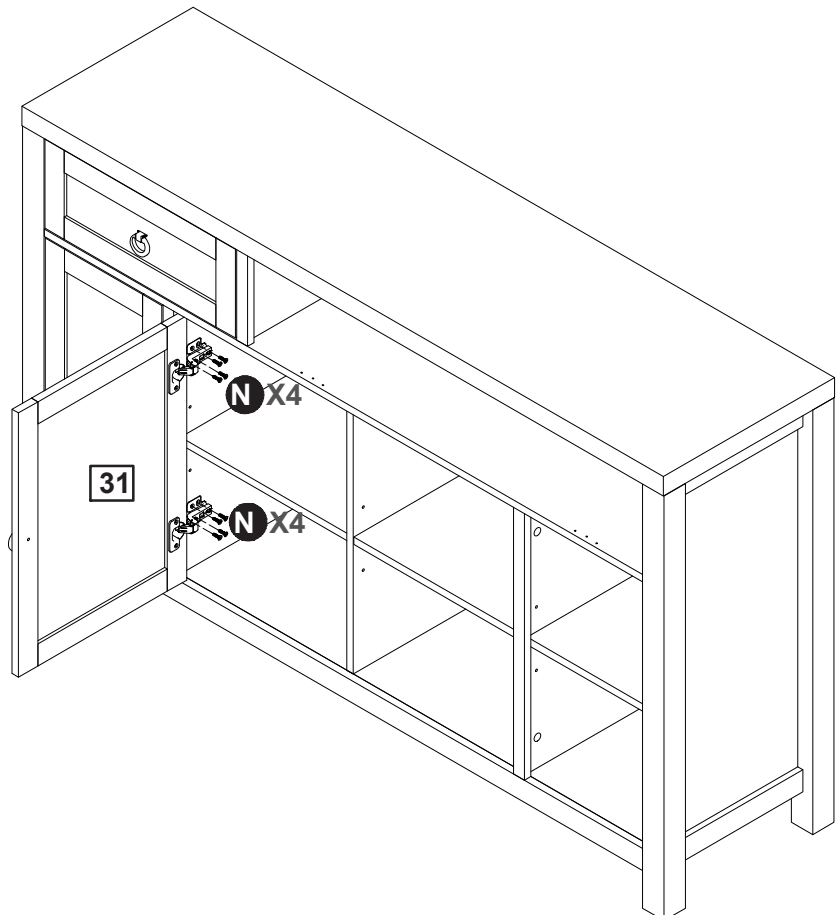
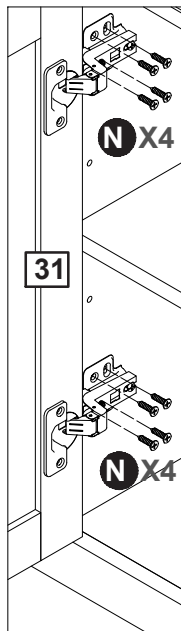
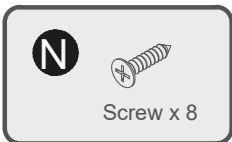
# ASSEMBLY INSTRUCTION

## ITEM:WF317554 / WF317555

### Step 43



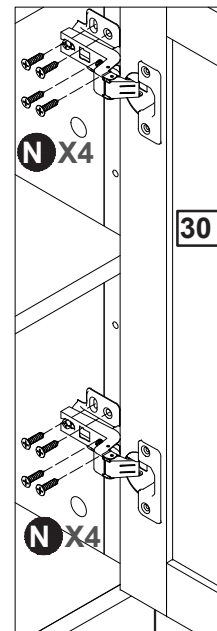
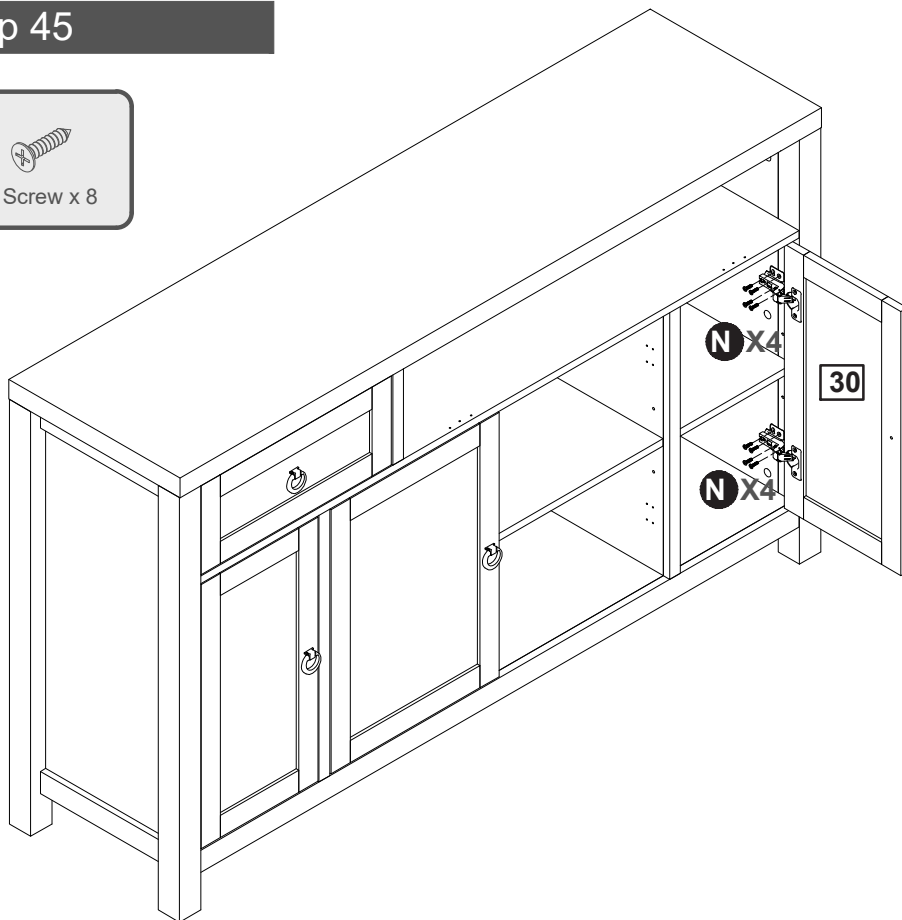
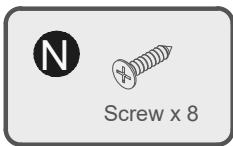
### Step 44



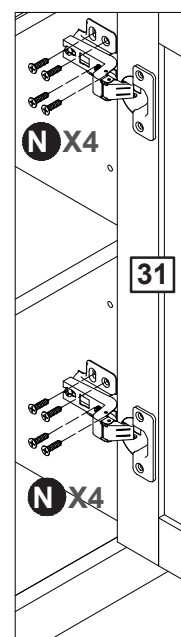
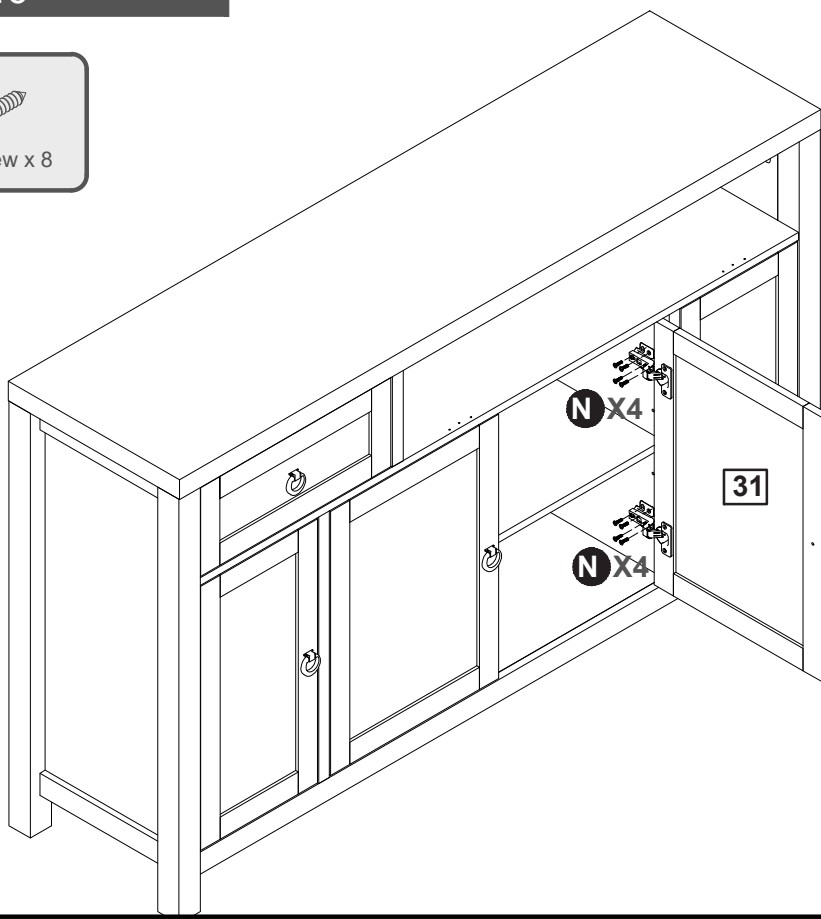
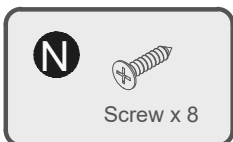
# ASSEMBLY INSTRUCTION

## ITEM:WF317554 / WF317555

### Step 45



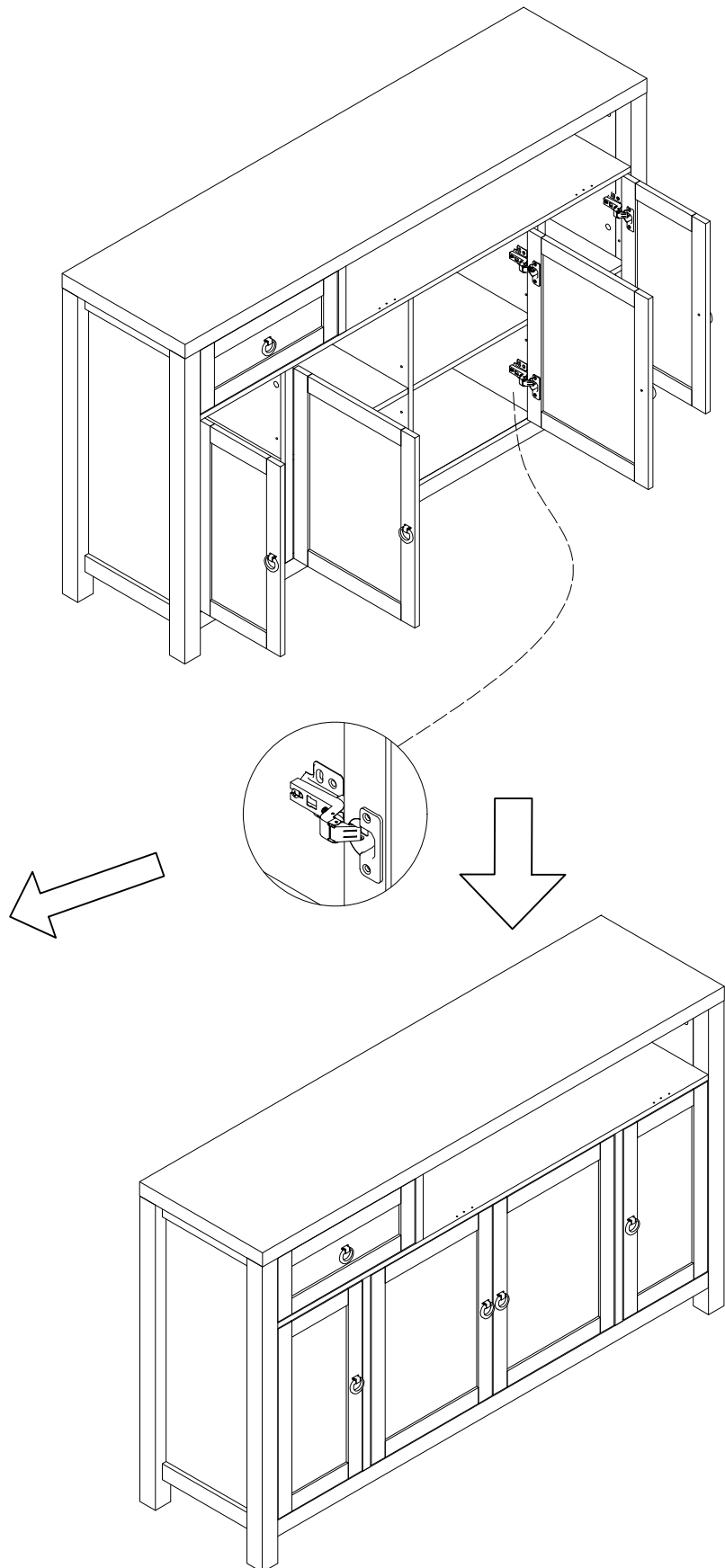
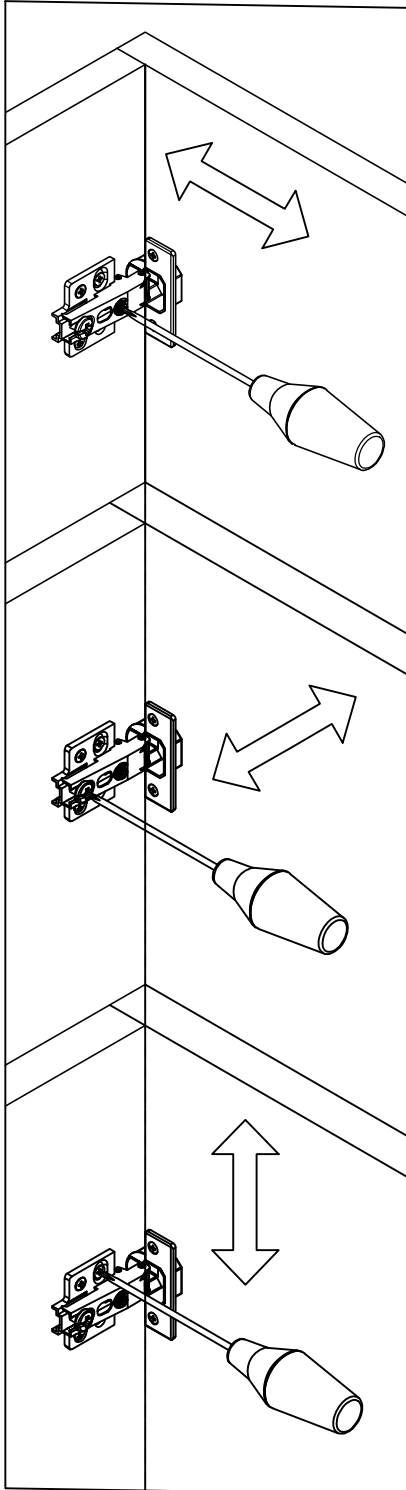
### Step 46



# ASSEMBLY INSTRUCTION

## ITEM:WF317554 / WF317555

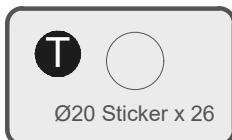
Step 47



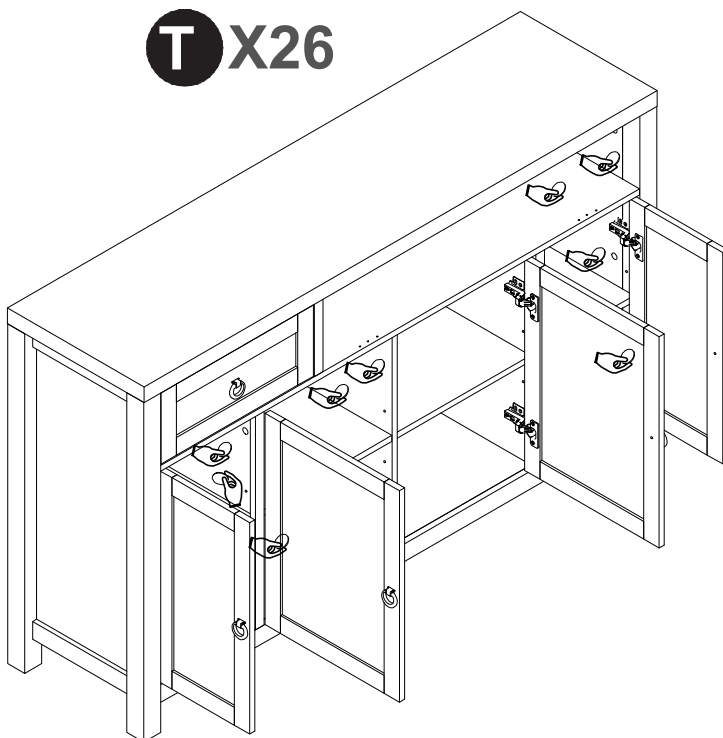
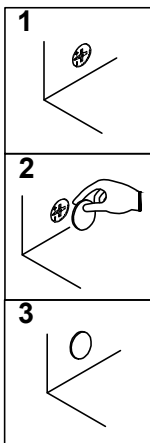
# ASSEMBLY INSTRUCTION

## ITEM:WF317554 / WF317555

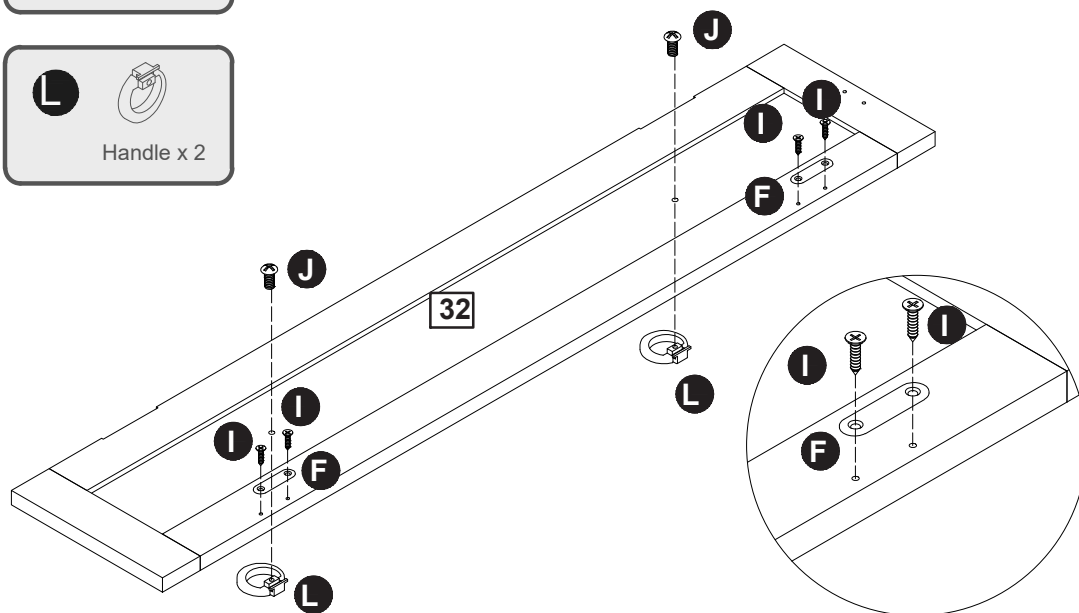
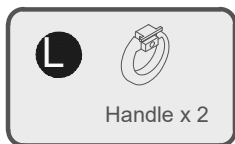
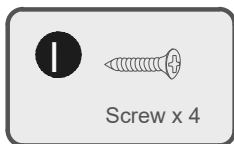
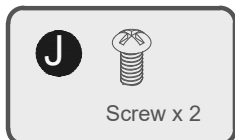
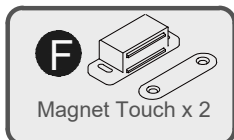
### Step 48



**T** X26



### Step 49

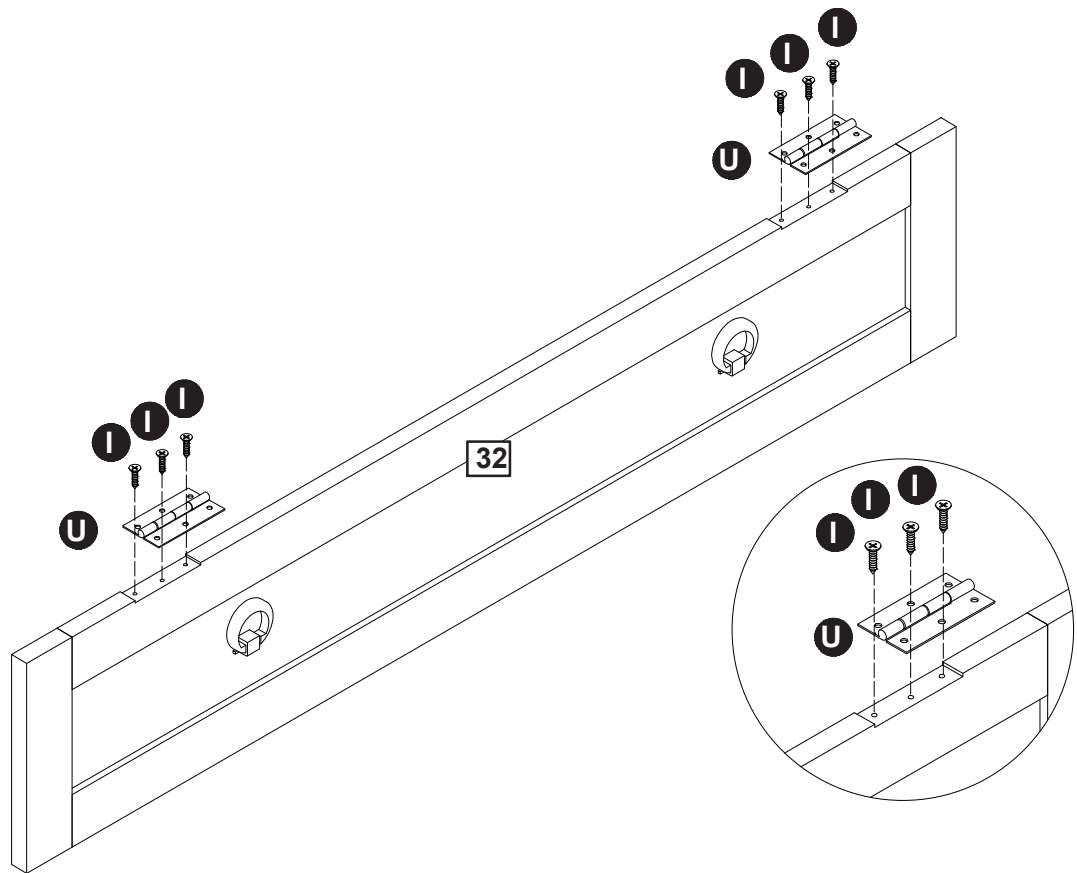




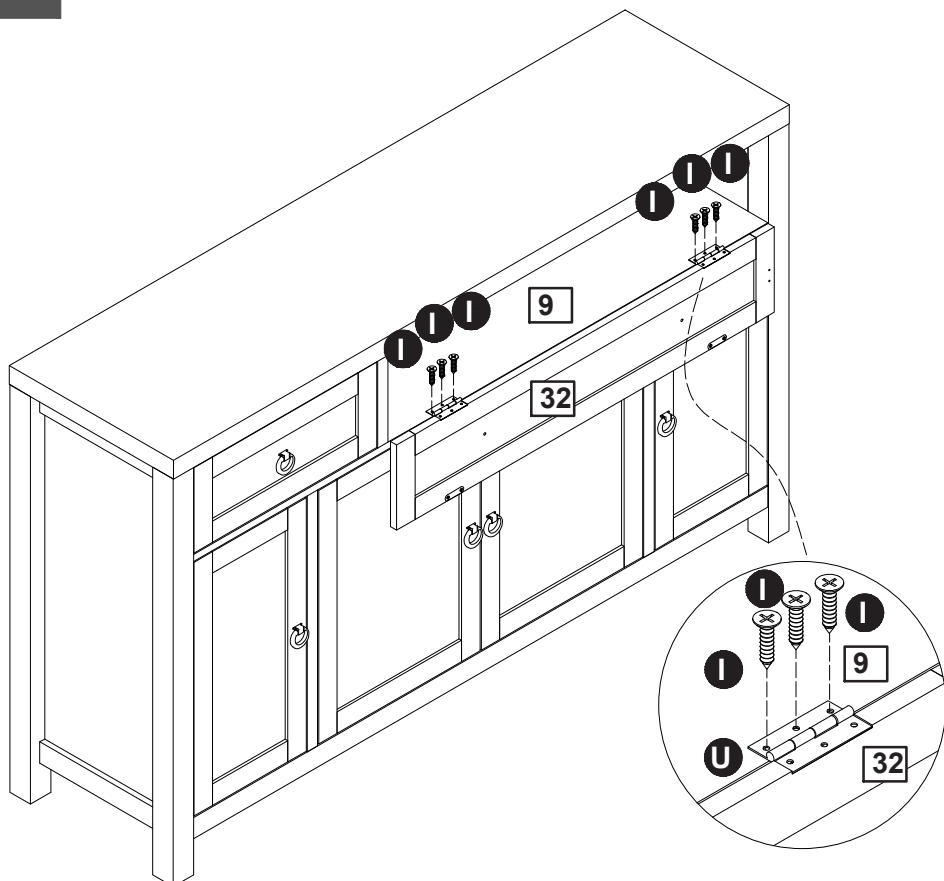
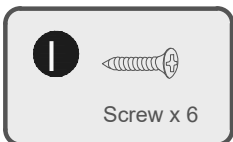
# ASSEMBLY INSTRUCTION

## ITEM:WF317554 / WF317555

### Step 50



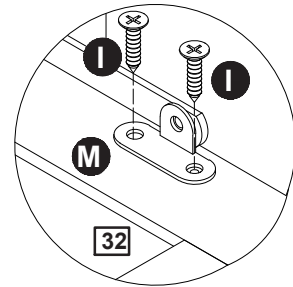
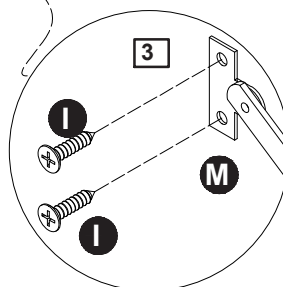
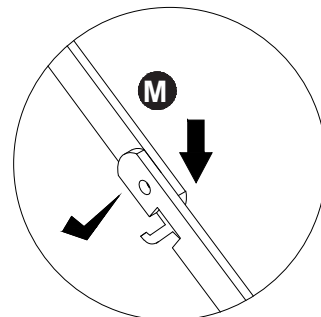
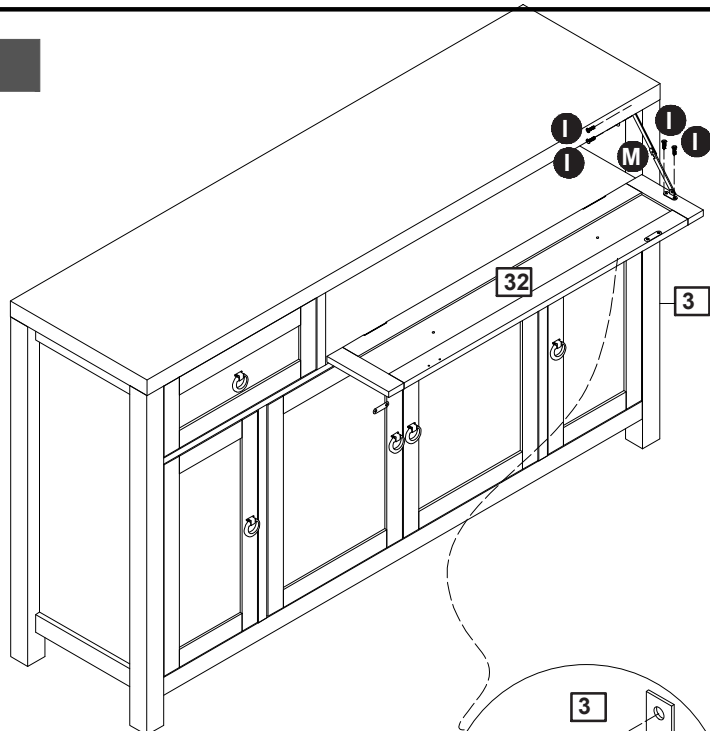
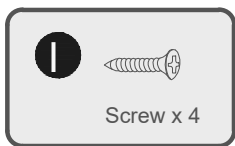
### Step 51



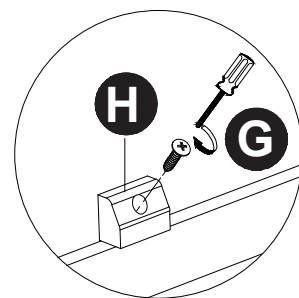
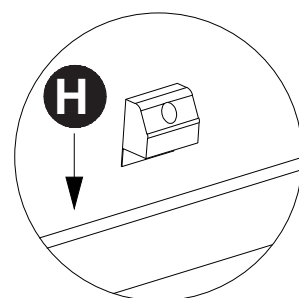
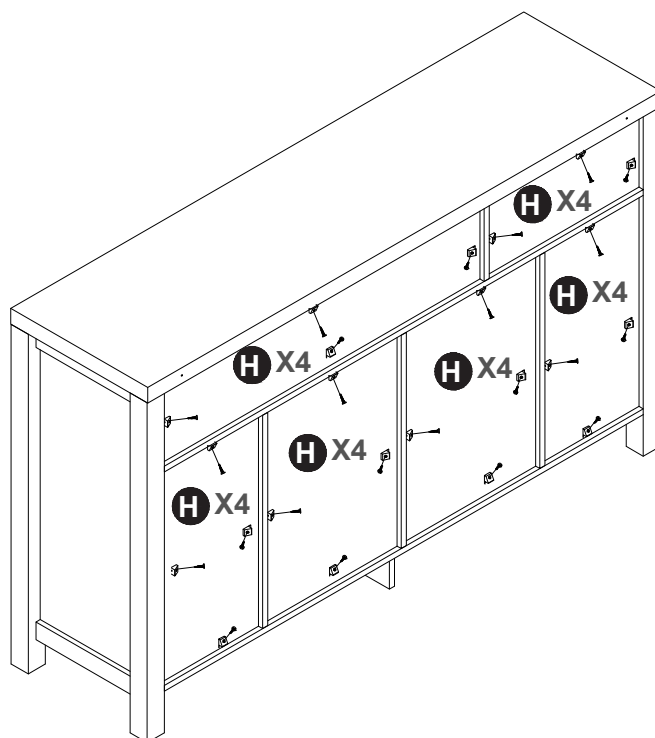
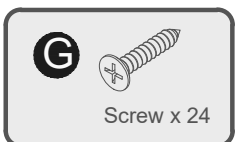
# ASSEMBLY INSTRUCTION

## ITEM:WF317554 / WF317555

### Step 52



### Step 53



# ASSEMBLY INSTRUCTION

## ITEM:WF317554 / WF317555

### Step 54

The unit is floor standing, but it is recommended that the unit is secured to the wall.



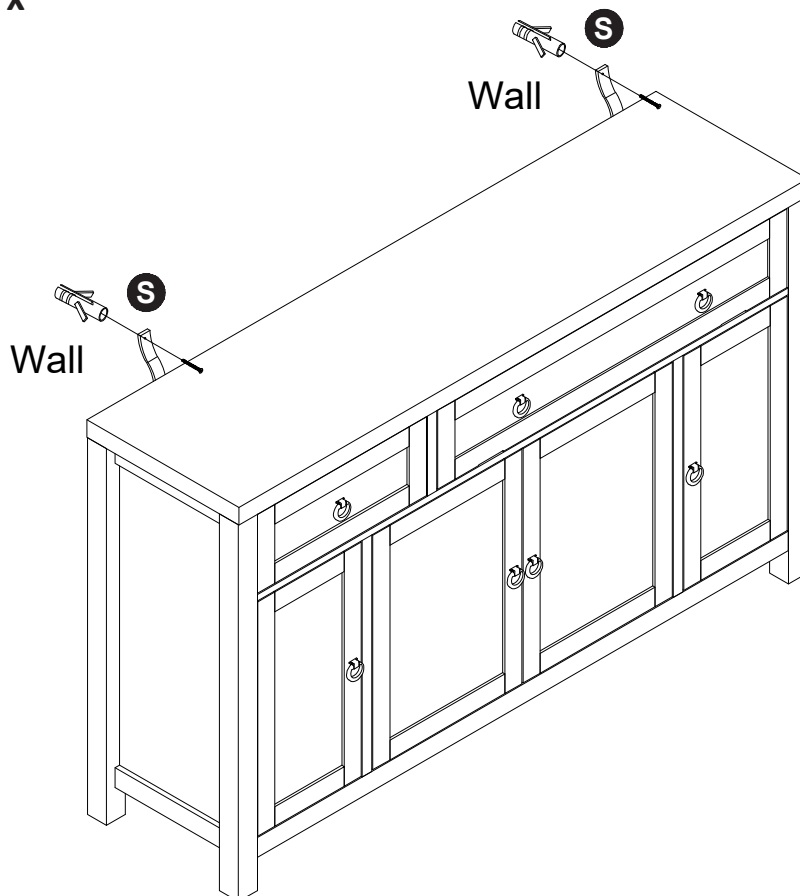
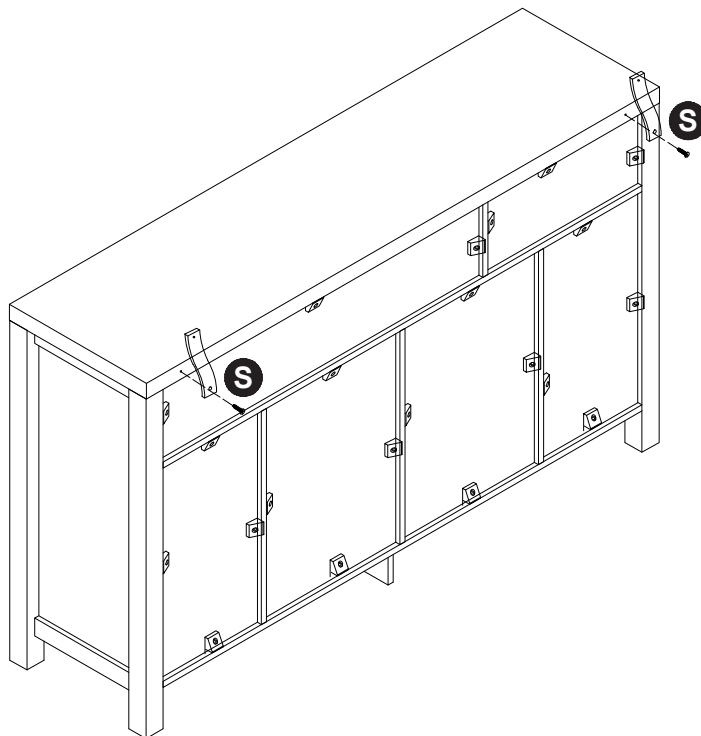
1. Move the unit into desired position.
2. Mark the wall with a suitable scribe the position of the fixing holes.



**Warning:**  
Before drilling, check wall for hidden pipes and cables.

3. Drill holes and insert 2 x wall plug
4. Attach 2 x Wall Straps to the top of the unit using 2 x Washers and 2 x Screws
5. Secure the straps to the wall using 2 x Washers and 2 x Screws

**Note:** To hide the straps behind the unit, drill the holes lower than the top of the unit



Assembly is complete.