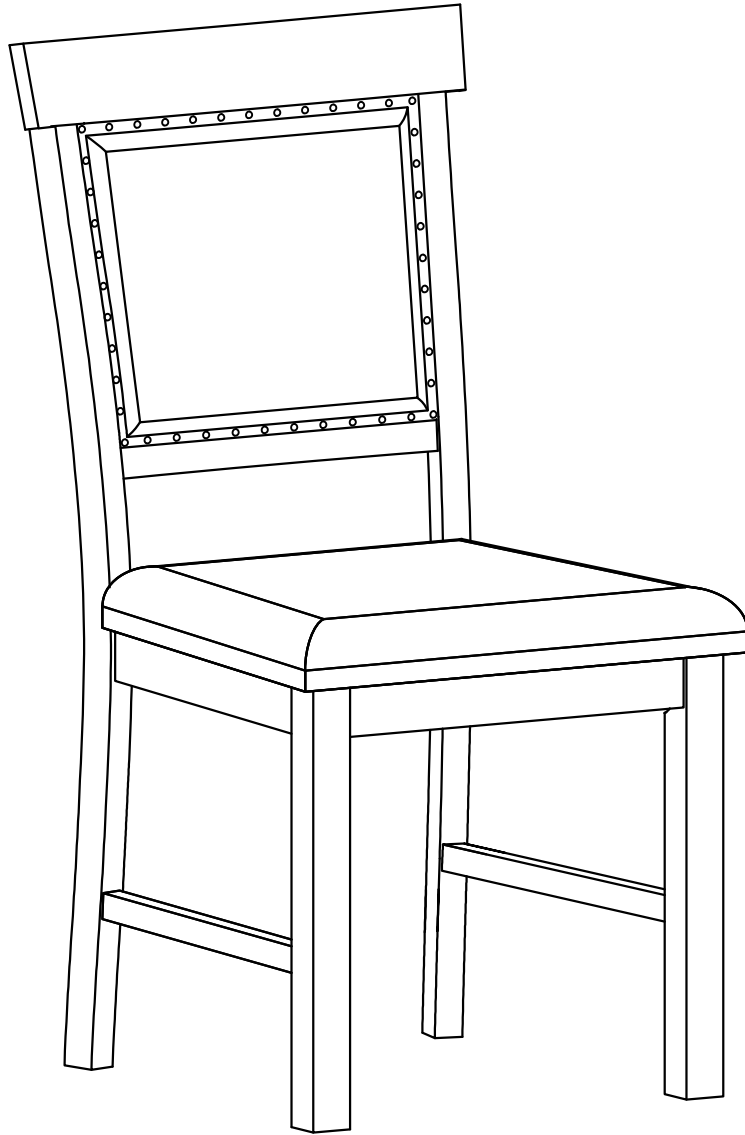


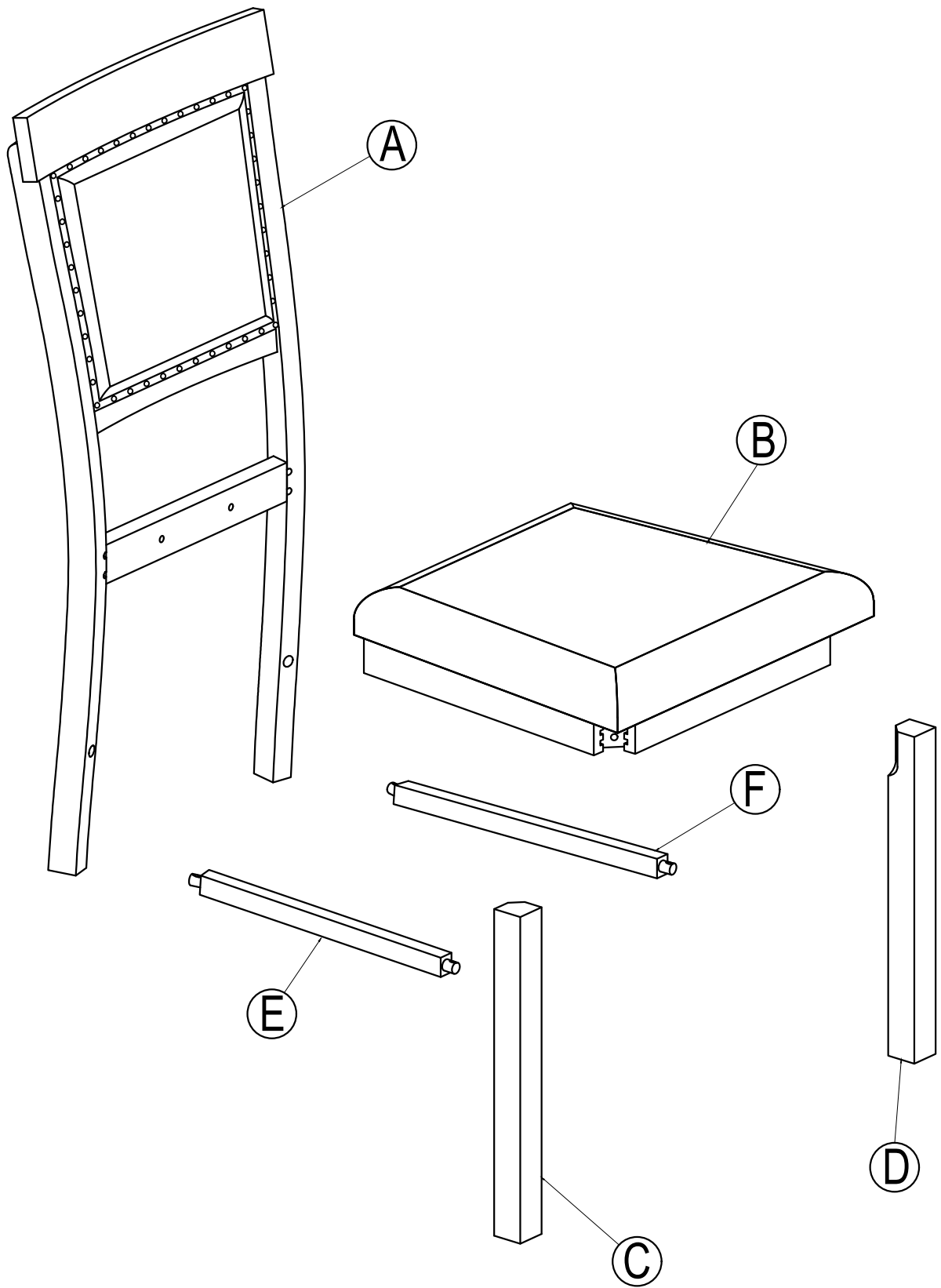
# ASSEMBLY INSTRUCTIONS

ITEM NO.WF315637



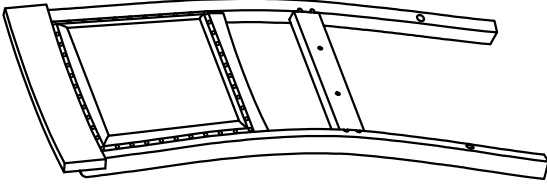
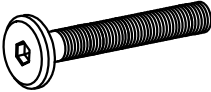
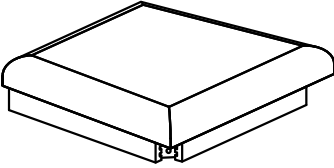

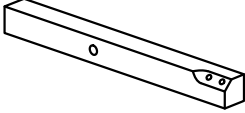

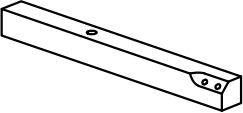

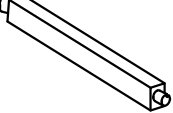
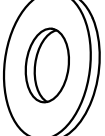
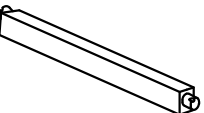

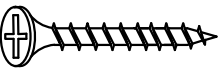
## IMPORTANT NOTE :

- ① PLACE ALL PARTS ON A CLEAN AND SMOOTH SURFACE SUCH AS A RUG OR CARPET TO AVOID THE PARTS FROM BEING SCRATCHED.
- ② BEFORE YOU BEGIN,KINDLY FOLLOW THE ASSEMBLY INSTRUCTIONS STEP BY STEP.
- ③ DO NOT TIGHTEN ALL SCREWS AND BOLTS UNTIL THE CHAIR IS FULLY SET-UP.

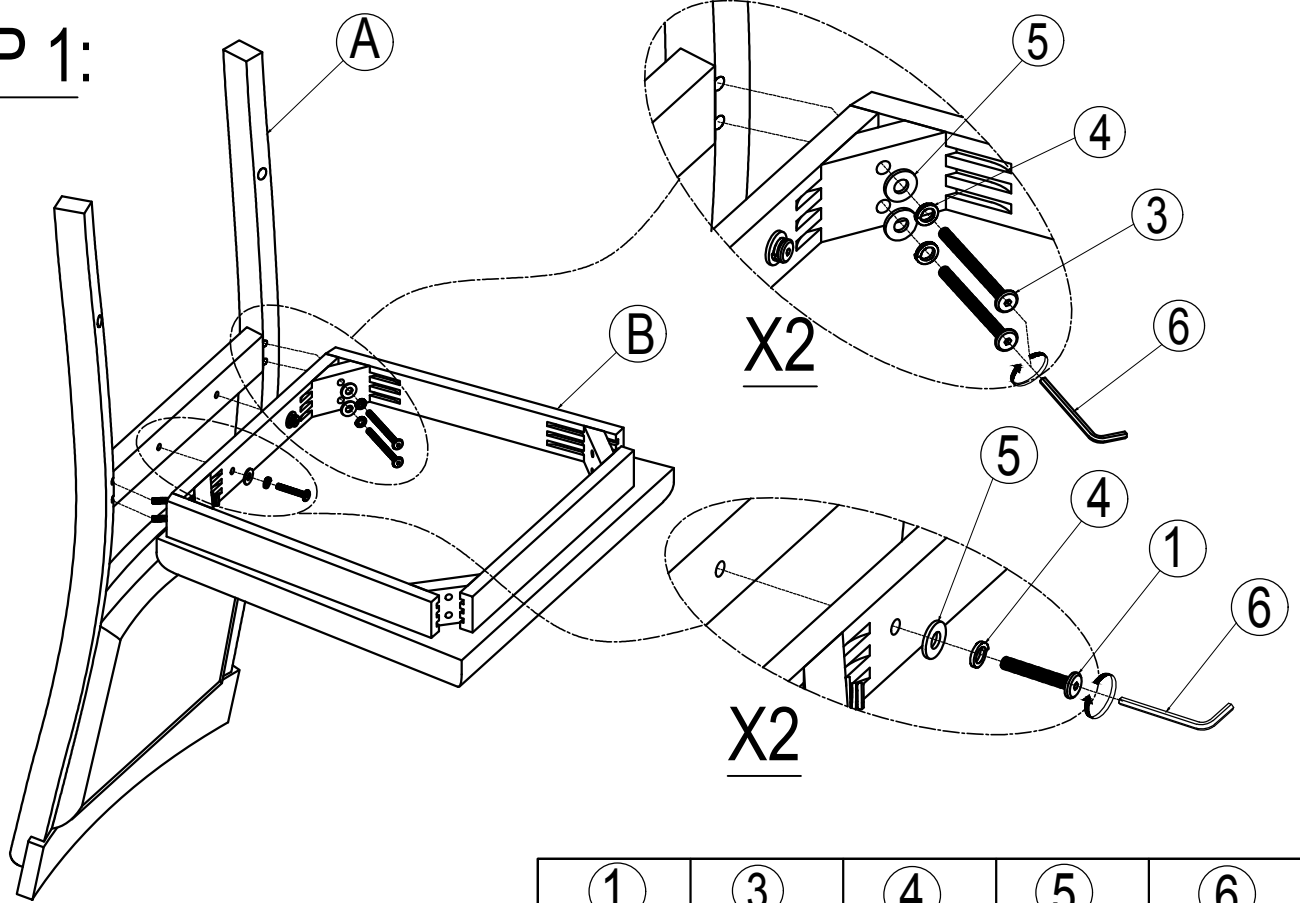


# Part List

# Hardware List

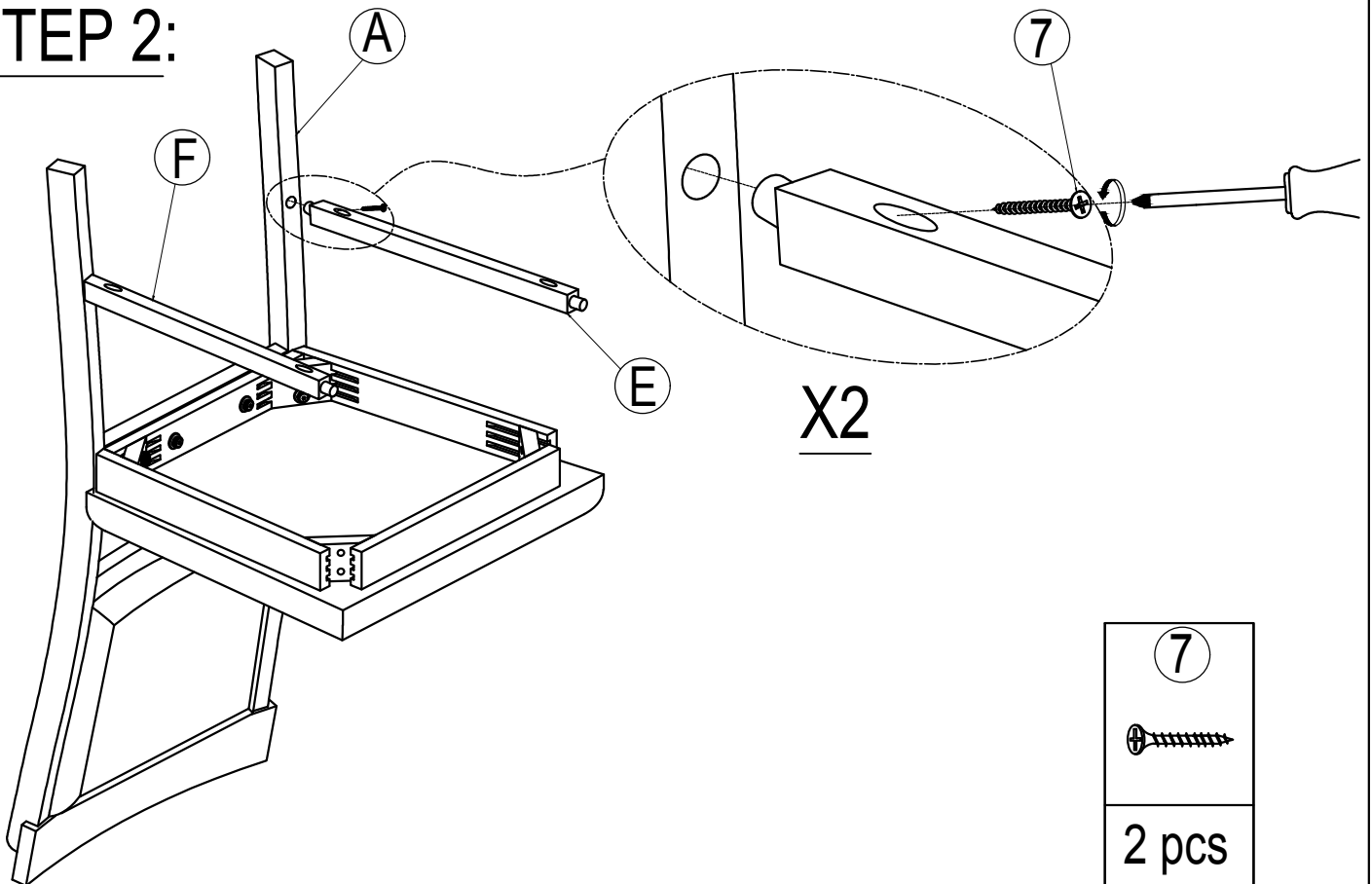
<p><b>(A)</b></p>  <p>BACK FRAME (4 pcs)</p>	<p><b>1</b></p>  <p>Ø 1/4" x 40mm BOLT (8 pcs)</p>
<p><b>(B)</b></p>  <p>SEAT FRAME (4 pcs)</p>	<p><b>2</b></p>  <p>Ø 1/4" x 55mm BOLT (16 pcs)</p>
<p><b>(C)</b></p>  <p>LEG LEFT (4 pcs)</p>	<p><b>3</b></p>  <p>Ø 1/4" x 75mm BOLT (16 pcs)</p>
<p><b>(D)</b></p>  <p>LEG RIGHT (4 pcs)</p>	<p><b>4</b></p>  <p>Ø5/16" x 13mm FLAT WASHER (40 pcs)</p>
<p><b>(E)</b></p>  <p>LEFT SIDE STRETCHER (4 pcs)</p>	<p><b>5</b></p>  <p>Ø5/16" x 19mm LOCK WASHER (40 pcs)</p>
<p><b>(F)</b></p>  <p>RIGHT SIDE STRETCHER (4 pcs)</p>	<p><b>6</b></p>  <p>4mm ALLEN KEY (1 pc)</p>
	<p><b>7</b></p>  <p>Ø4 x 38mm WOOD SCREWS (16 pcs)</p>

# STEP 1:



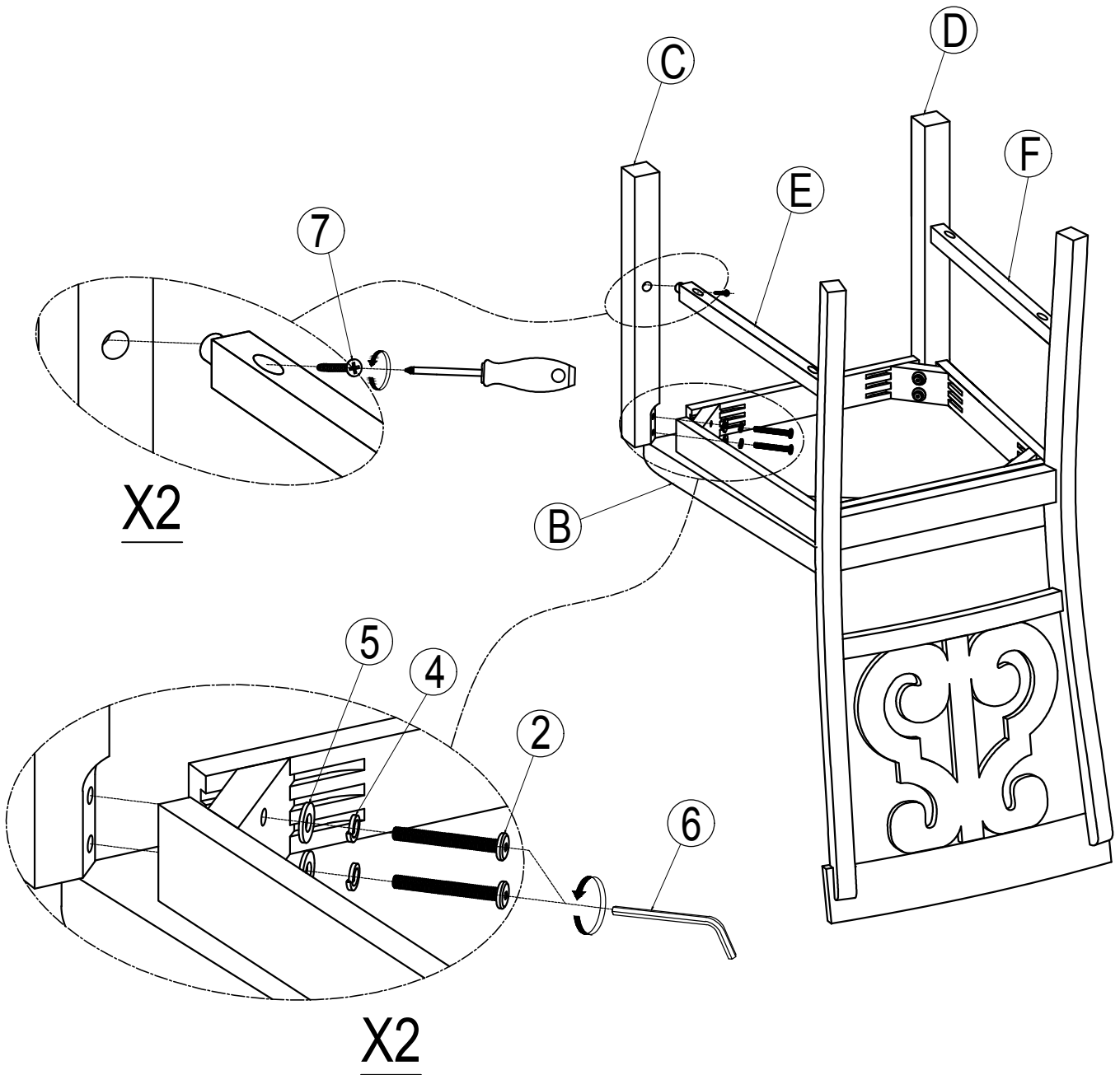
①	③	④	⑤	⑥
2 pcs	4 pcs	6 pcs	6 pcs	1 pcs





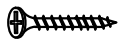
# STEP 2:



⑦
2 pcs

# STEP 3:



②	④	⑤	⑥	⑦
				
4 pcs	4 pcs	4 pcs	1 pc	2 pcs