

Assembly Instructions

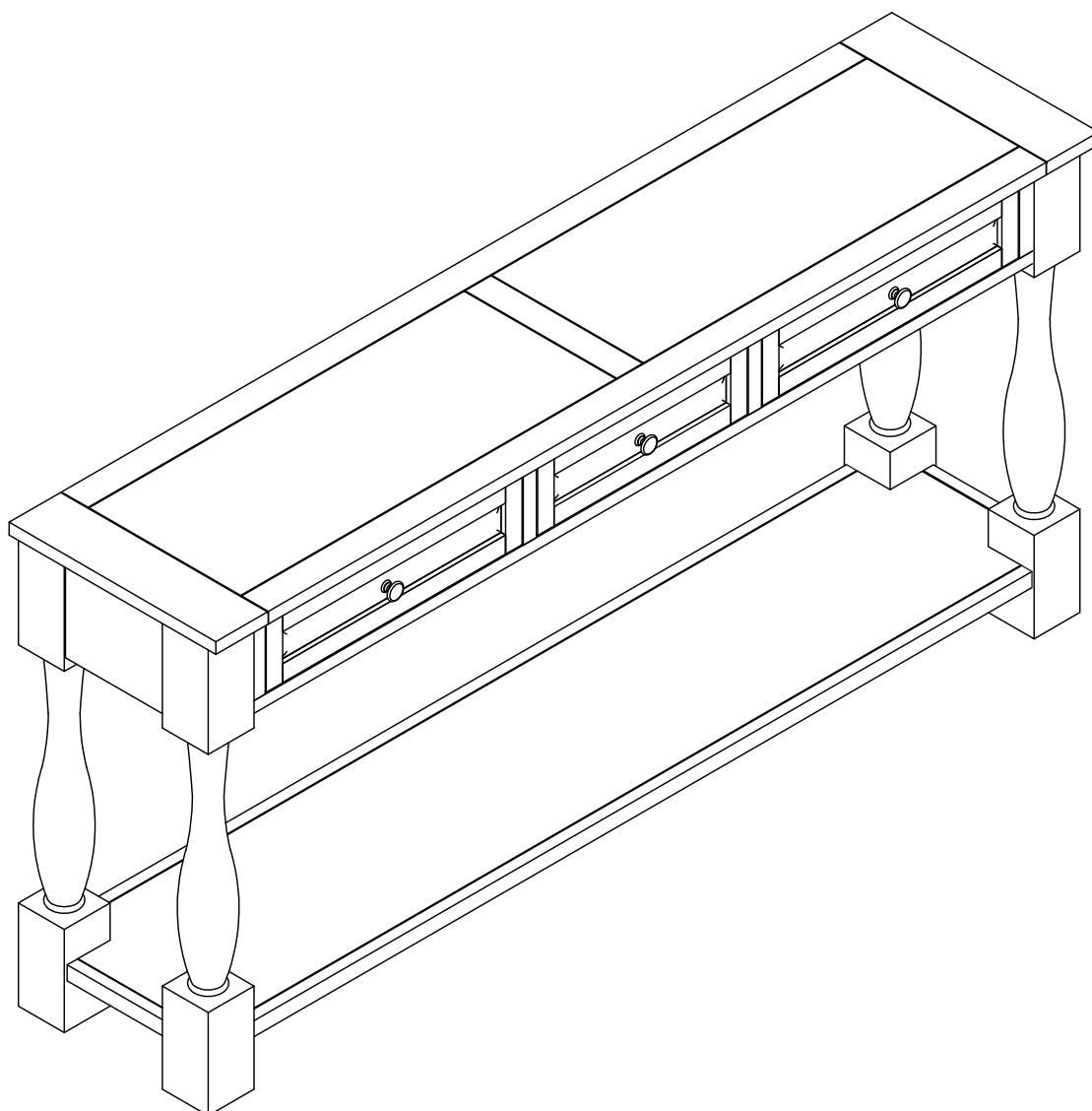
ITEM NO. WF 314993

CONSOLE TABLE

Thank you for purchasing this quality product. Be sure to check all packing materials carefully for small parts, which may have come loose inside the carton during shipment. Identify and count all items and compare with the PARTS LIST and/or HARDWARE LIST shown below.

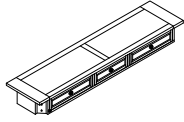

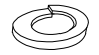


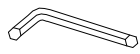
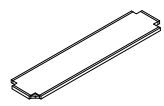
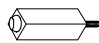
Caution: Please read the instructions thoroughly before assembly.

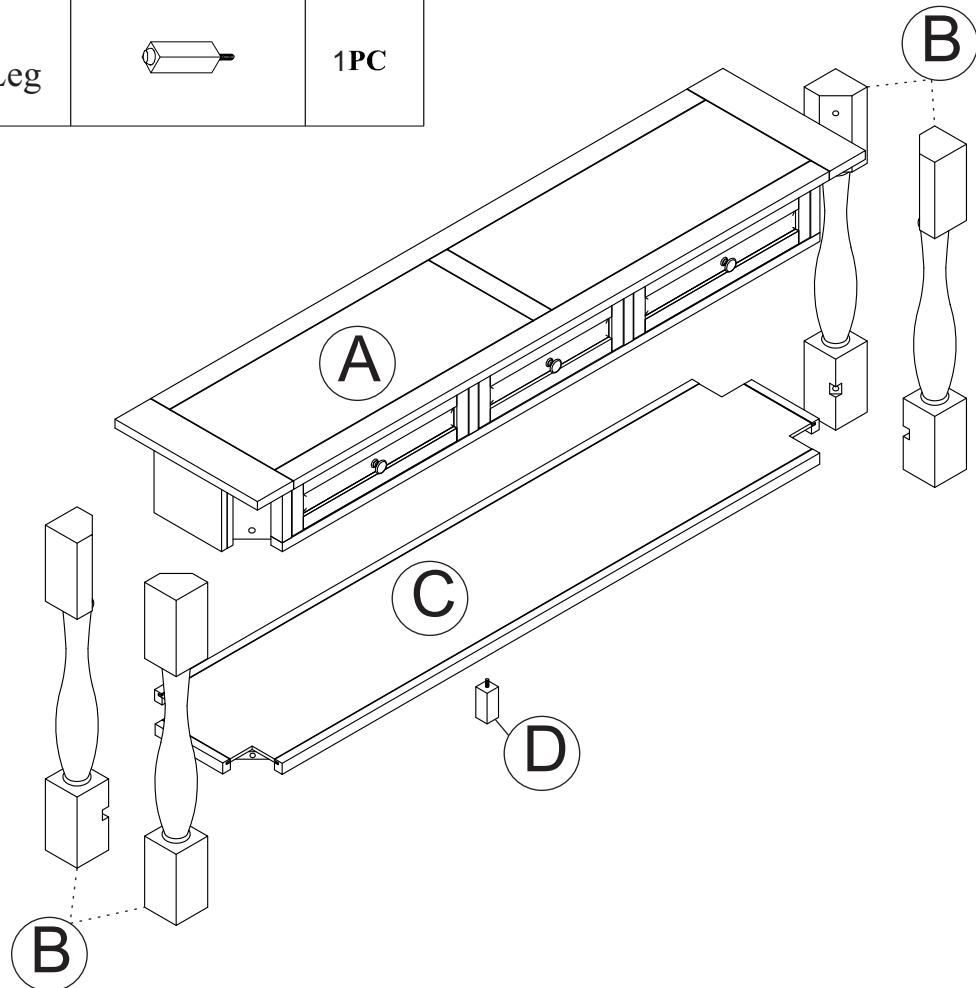
1. We recommend that you assemble this product with the assistance of another person; this will make the assembly easier, and will help eliminate damage to the product or injury to persons during assembly.
2. Please do not over tighten screws or bolts until the assembly is completed.
3. Please put all parts on a non-abrasive floor before assembly, and follow the assembly steps to assemble your newly purchased product correctly and efficiently.



Assembly Instructions

ITEM NO. WF 314933
CONSOLE TABLE

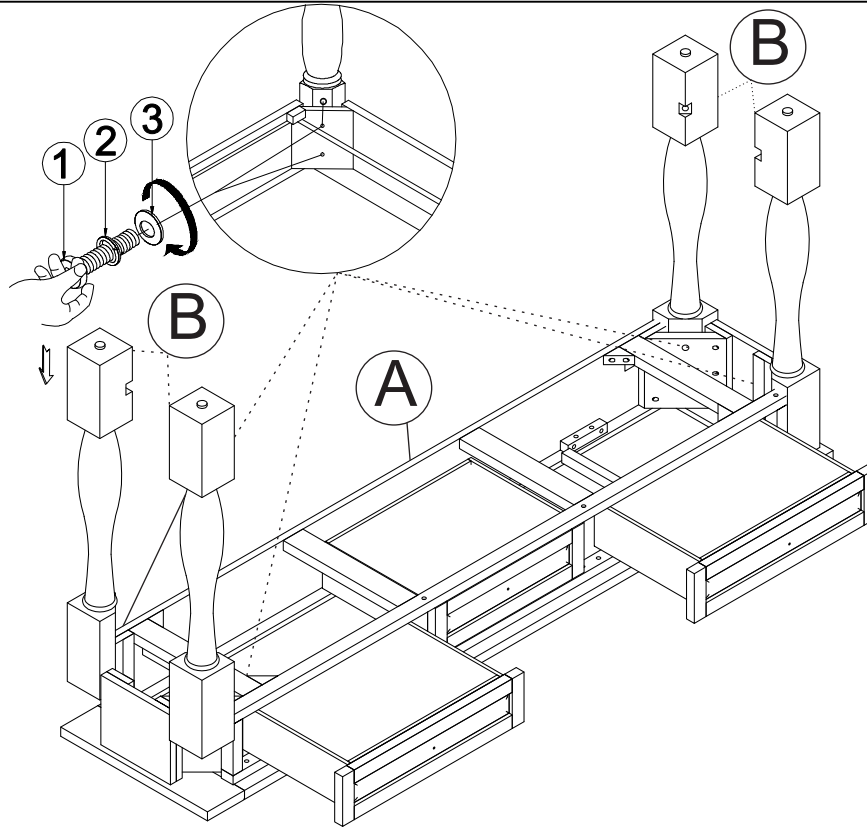
| PART LISTS | | | | HARDWARE LIST | | | |
|------------|-------------|---|------|---------------|---------------------|---|--------|
| NO | DESCRIPTION | SKETCH | Q'TY | NO | DESCRIPTION | SKETCH | Q'TY |
| Ⓐ | Table Frame |  | 1 PC | ① | Bolt 5/16" x 50mm |  | 12 PCS |
| | | | | ② | Spring Wasger 5/16" |  | 12 PCS |
| Ⓑ | Legs |  | 4PCS | ③ | Washer 5/16" |  | 12 PCS |
| | | | | ④ | Allen Key L=110 |  | 1 PC |
| Ⓒ | Shelf |  | 1 PC | | | | |
| Ⓓ | Support Leg |  | 1PC | | | | |



Assembly Instructions

ITEM NO. WF 314993
CONSOLE TABLE

STEP 1

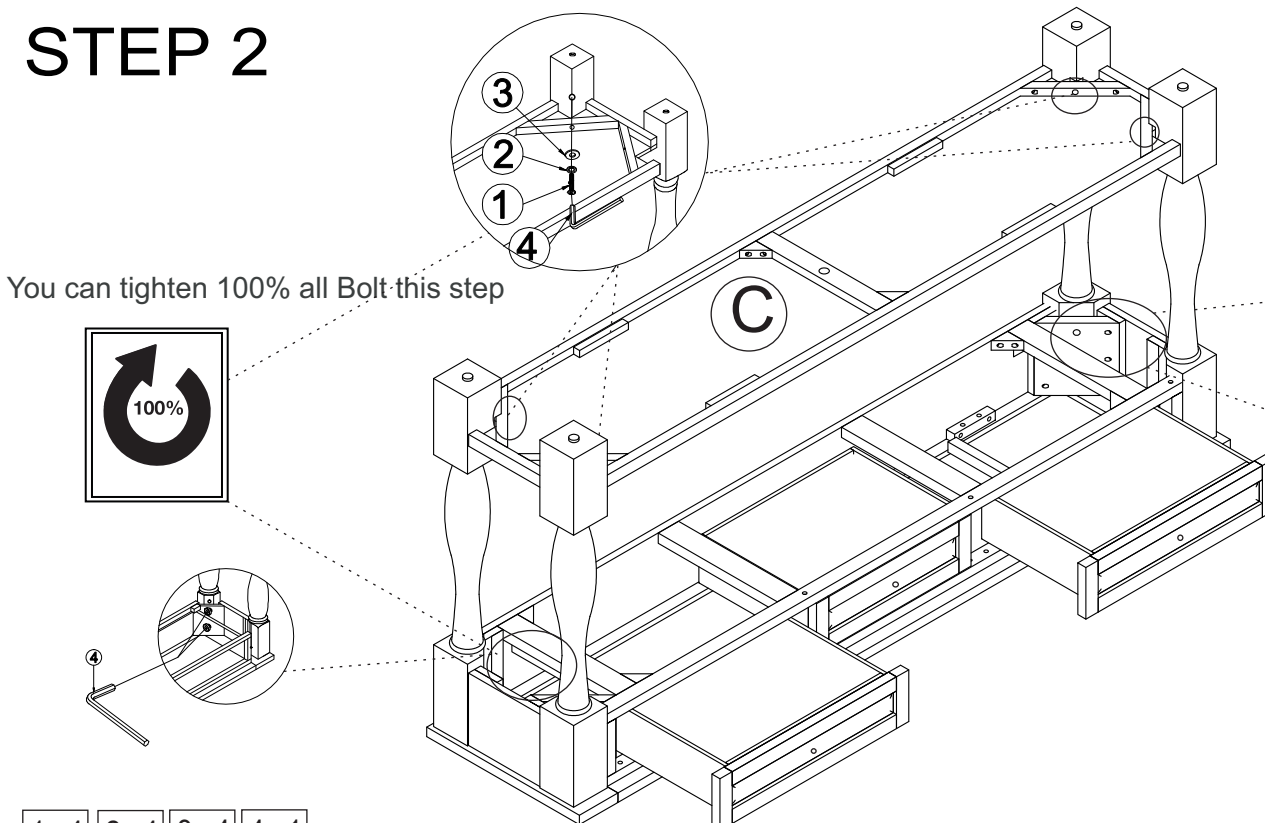


Do **NOT** overtighten hardware.
Tighten only 50% for now.

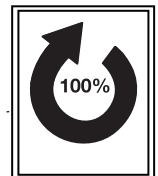
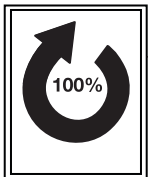


1 x8 2 x8 3 x8

STEP 2



You can tighten 100% all Bolt this step



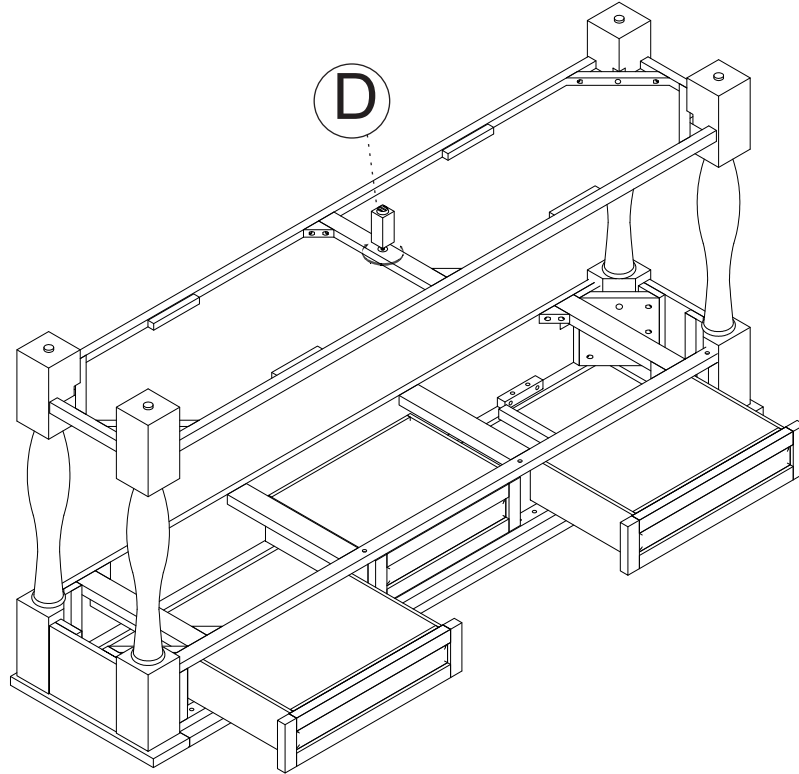
Please fully tighten
screws after all screws
are in place !

1 x4 2 x4 3 x4 4 x1

Assembly Instructions

ITEM NO. WF 314993
CONSOLE TABLE

STEP 3



STEP 4

