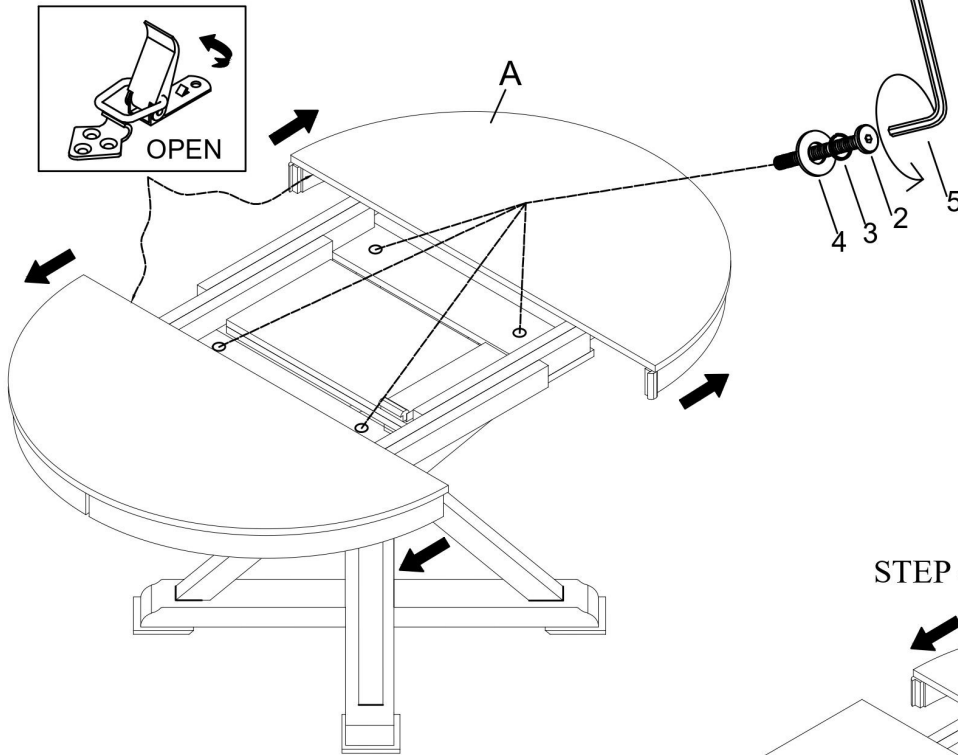
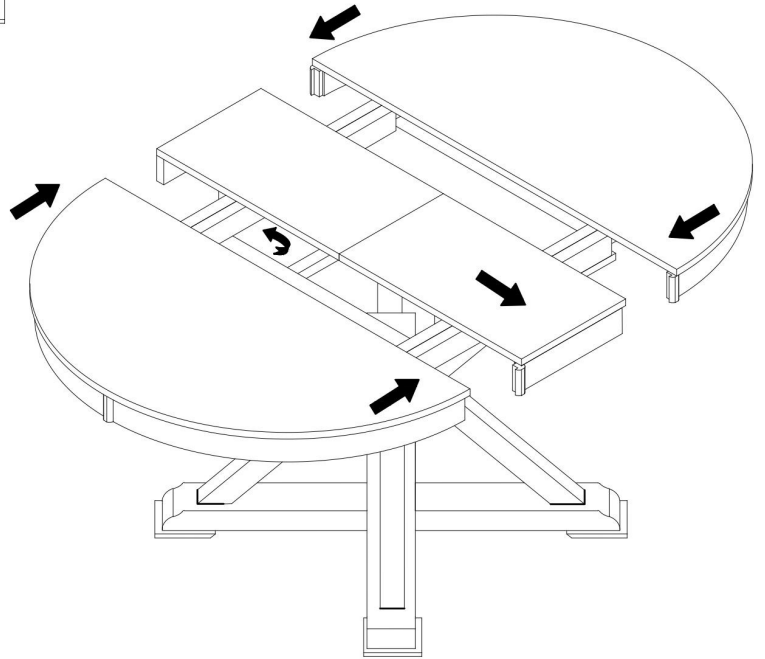


ASSEMBLY INSTRUCTION
ITEM: WF298829

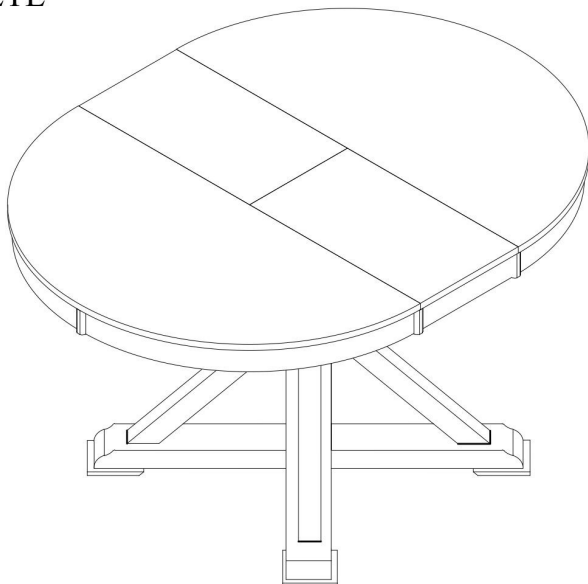
STEP 3



STEP 4



COMPLETE



ASSEMBLY INSTRUCTION

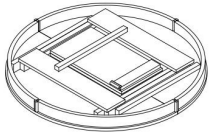
ITEM: WF298829

Important note:

1. Place all wooden parts on a clean and smooth surface such as a rug or carpet to avoid scratching the parts.
2. Kindly follow the assembly instructions step by step.
3. Do not tighten all screws and bolts until the table is fully assembled.
4. Unscrew the protective plastic supports from the metal insert of the table legs before assembly.

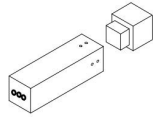
PARTS IDENTIFICATION

A Table Top



1pc

B Pedestal



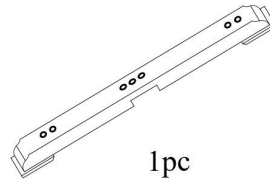
1pc

C Table Leg



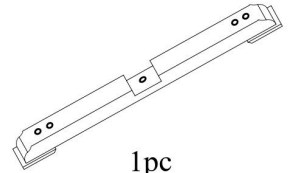
4pcs

D Table Base



1pc

E Table Base



1pc

HARDWARE IDENTIFICATION

1 Long Bolt

Ø5/16"X65mm



5pcs

2 Bolt

Ø5/16"X38mm



8pcs

3 Spring Washer

Ø5/16"X11mm



13pcs

4 Flat Washer

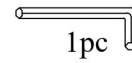
Ø5/16"X19mm



13pcs

5 Allen Key

M4



1pc

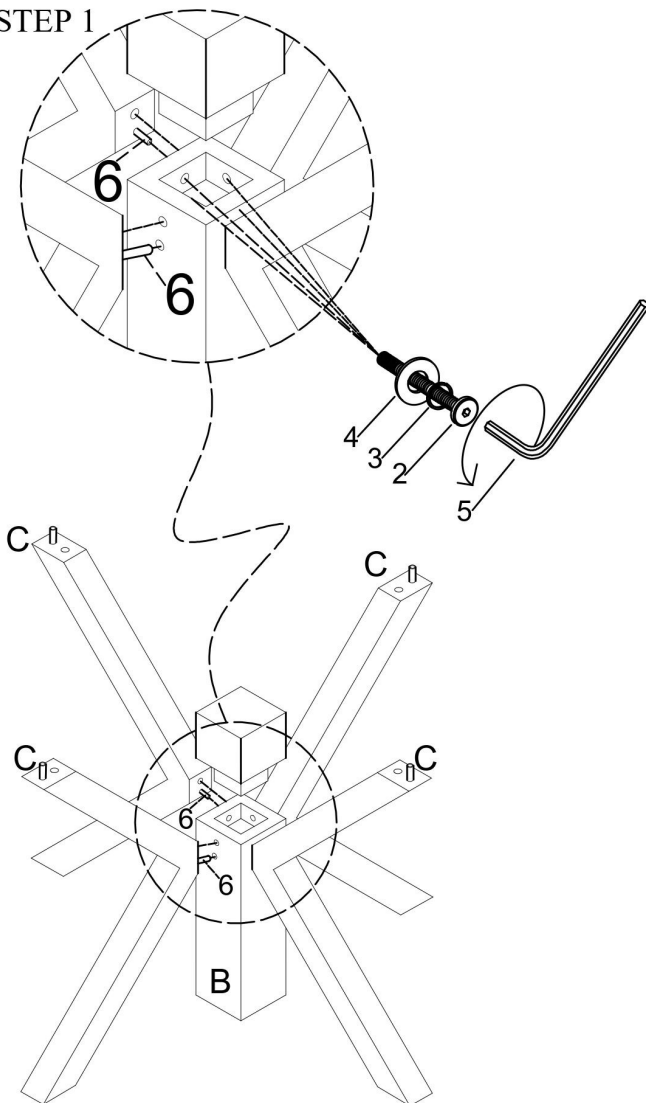
6 Wood Dowel

Ø10*30mm



6pcs

STEP 1



STEP 2

