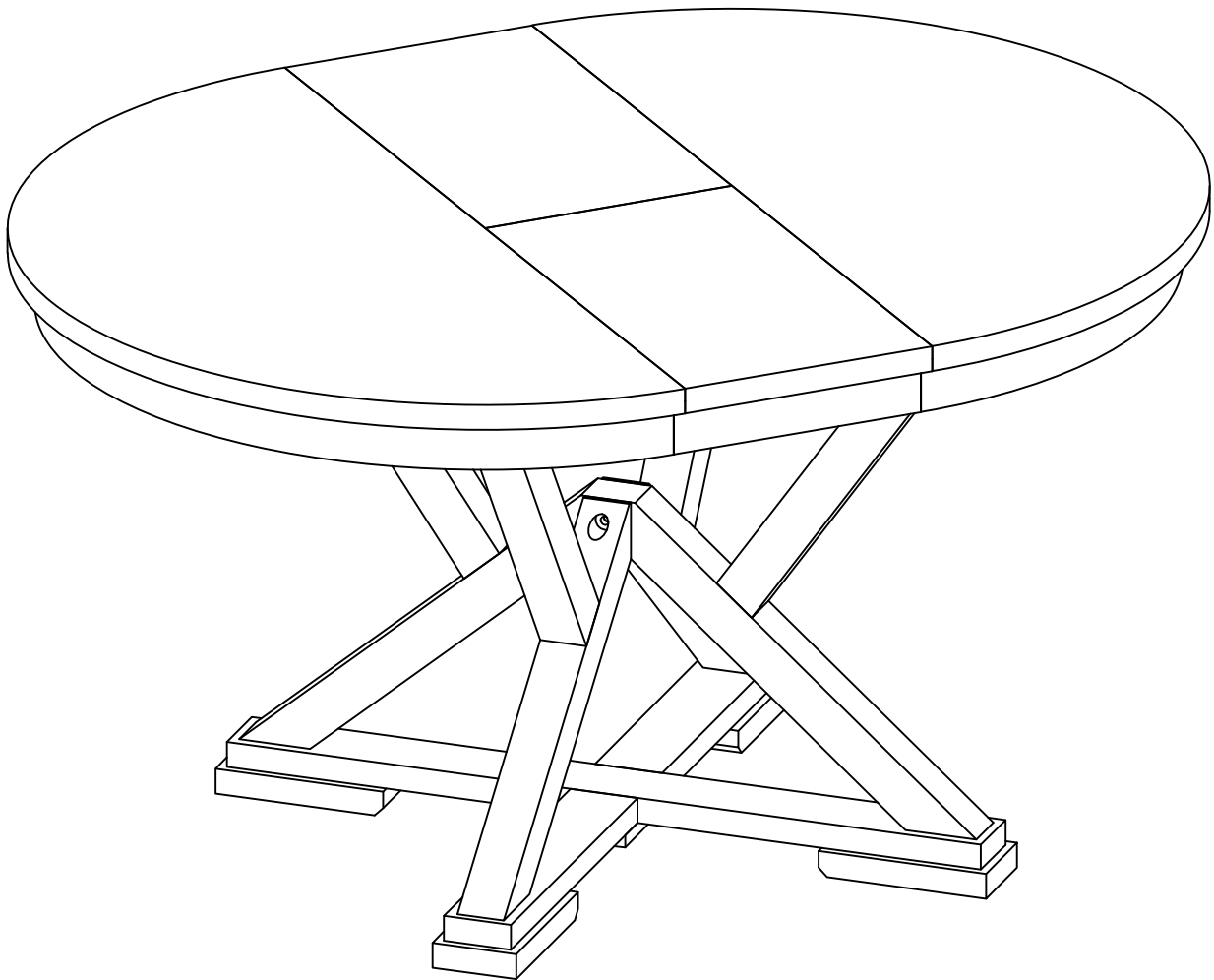


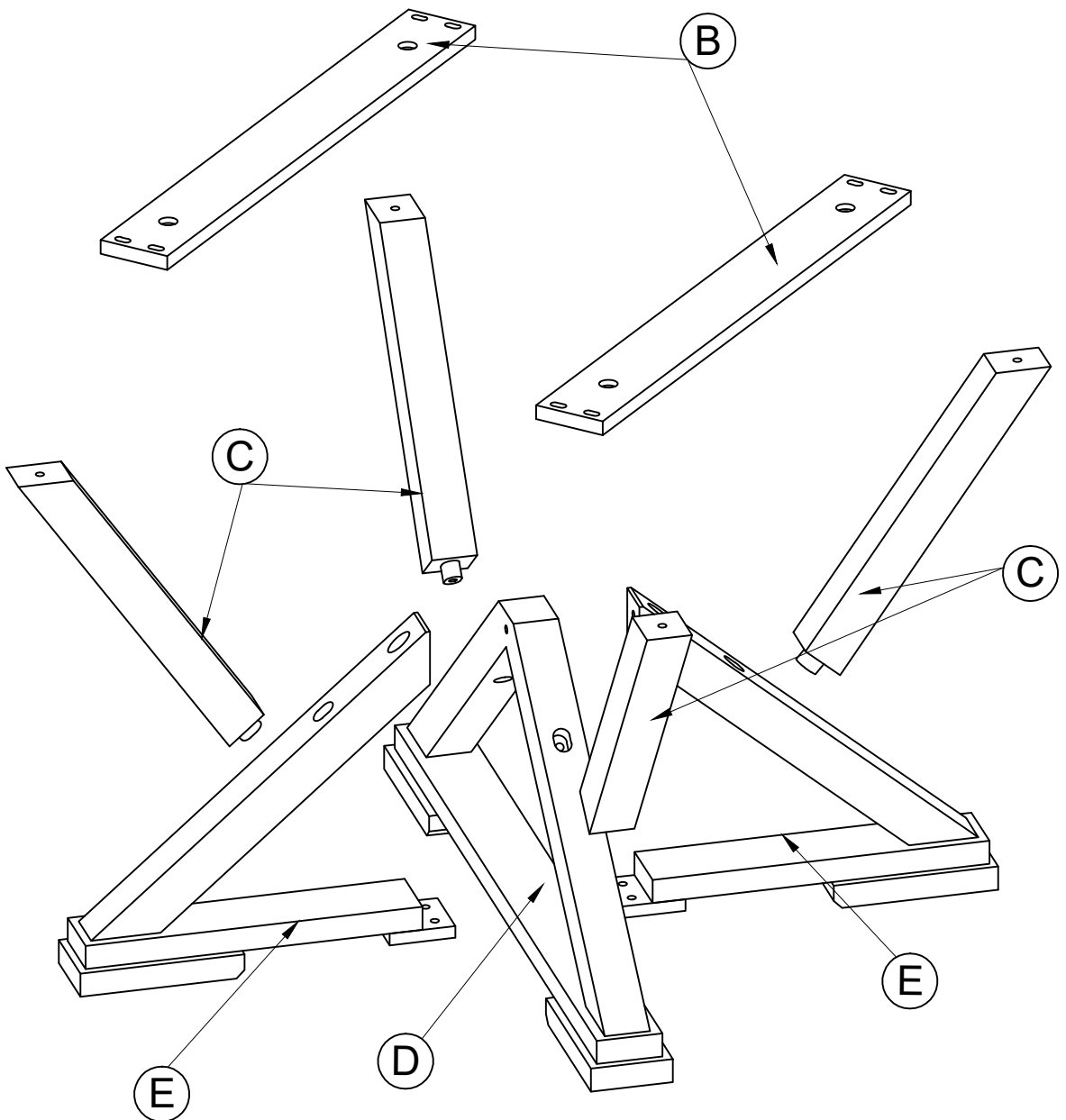
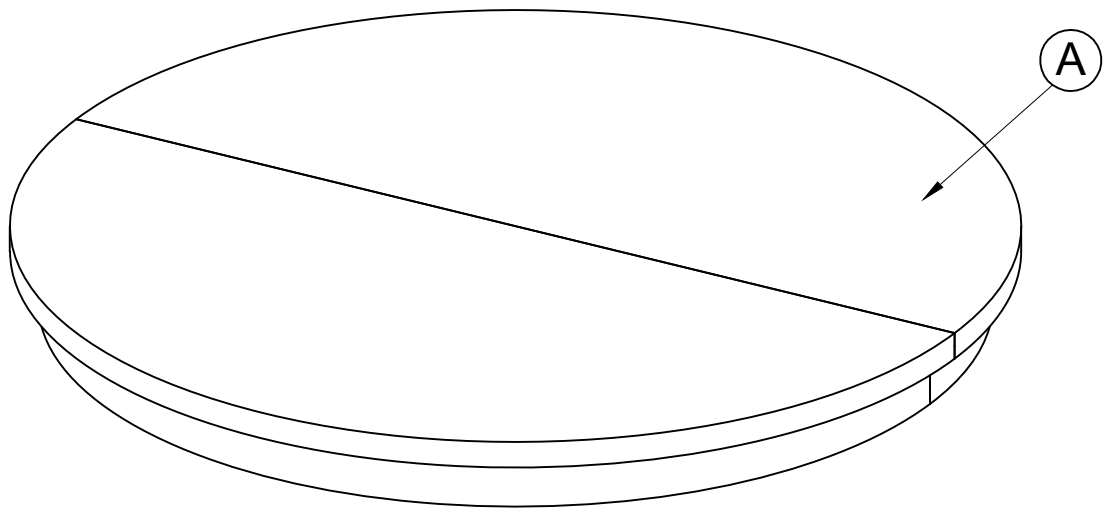
ASSEMBLY INSTRUCTIONS

ITEM NO. WF310106 - DINING TABLE



IMPORTANT NOTE:

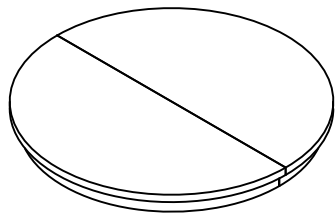
- ① PLACE ALL PARTS ON A CLEAN AND SMOOTH SURFACE SUCH AS A RUG OR CARPET TO AVOID THE PARTS FROM BEING SCRATCHED.
- ② BEFORE YOU BEGIN, KINDLY FOLLOW THE ASSEMBLY INSTRUCTIONS STEP BY STEP.
- ③ DO NOT TIGHTEN ALL SCREWS AND BOLTS UNTIL THE TABLE IS FULLY SET-UP.



Part List For One

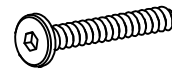
Hardware List For One

(A)



TOP TABLE (1PC)

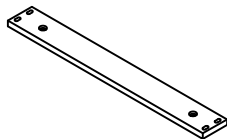
(1)



Ø 5/16" x 38mm

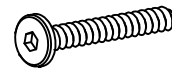
BOLT (4 pcs)

(B)



SUPPORT BAR 1 (2PCS)

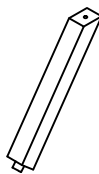
(2)



Ø 5/16" x 35mm

BOLT (18 pcs)

(C)



SUPPORT BAR 2 (4PCS)

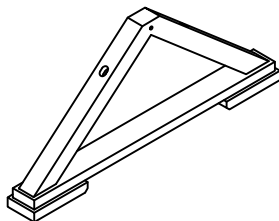
(3)



Ø 5/16" x 13mm

FLAT WASHER (24 pcs)

(D)



LEG 1 (1PC)

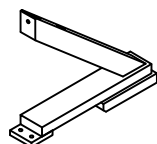
(4)



Ø 5/16" x 19mm

LOCK WASHER (24 pcs)

(E)



LEG 2 (2PCS)

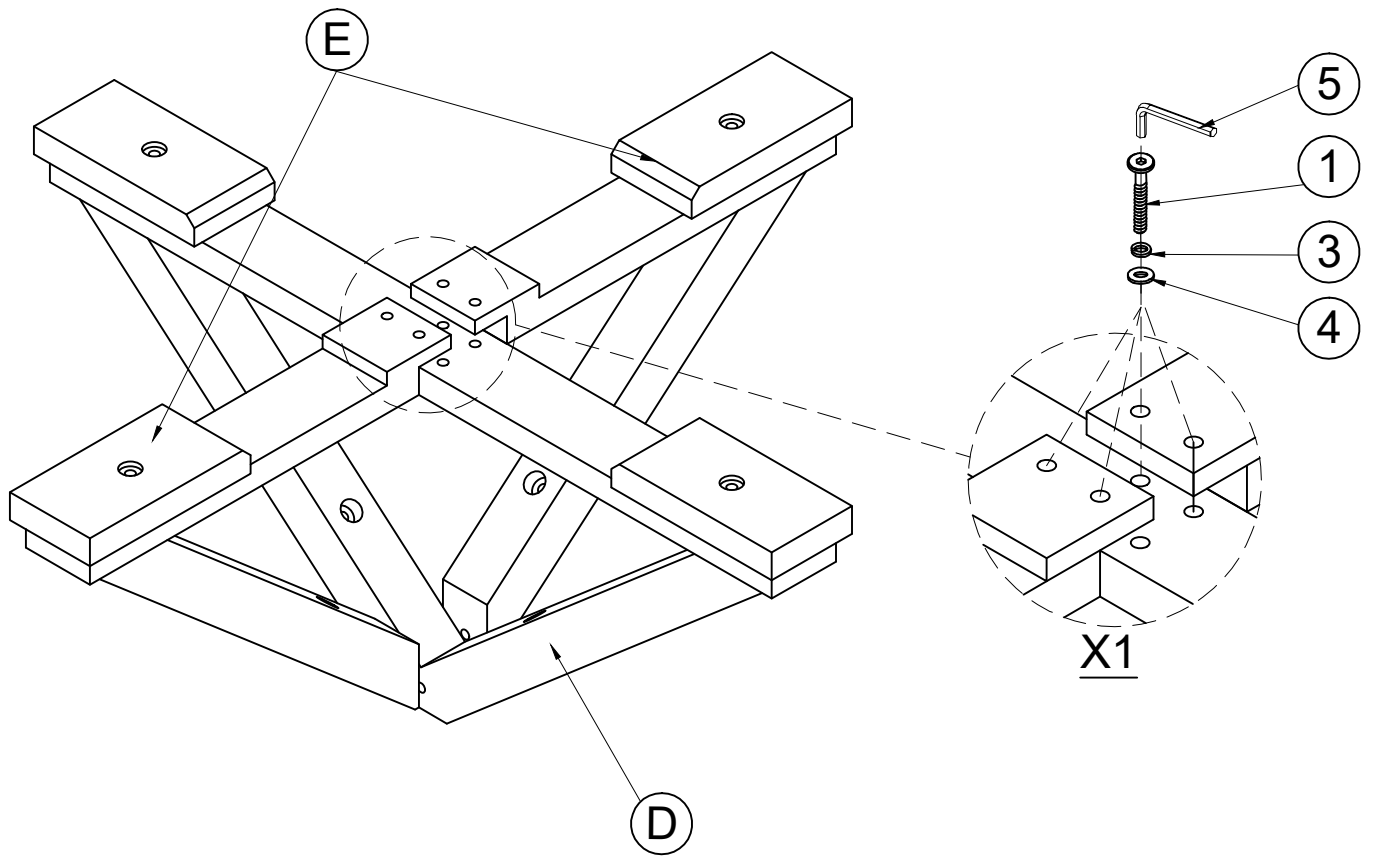
(5)



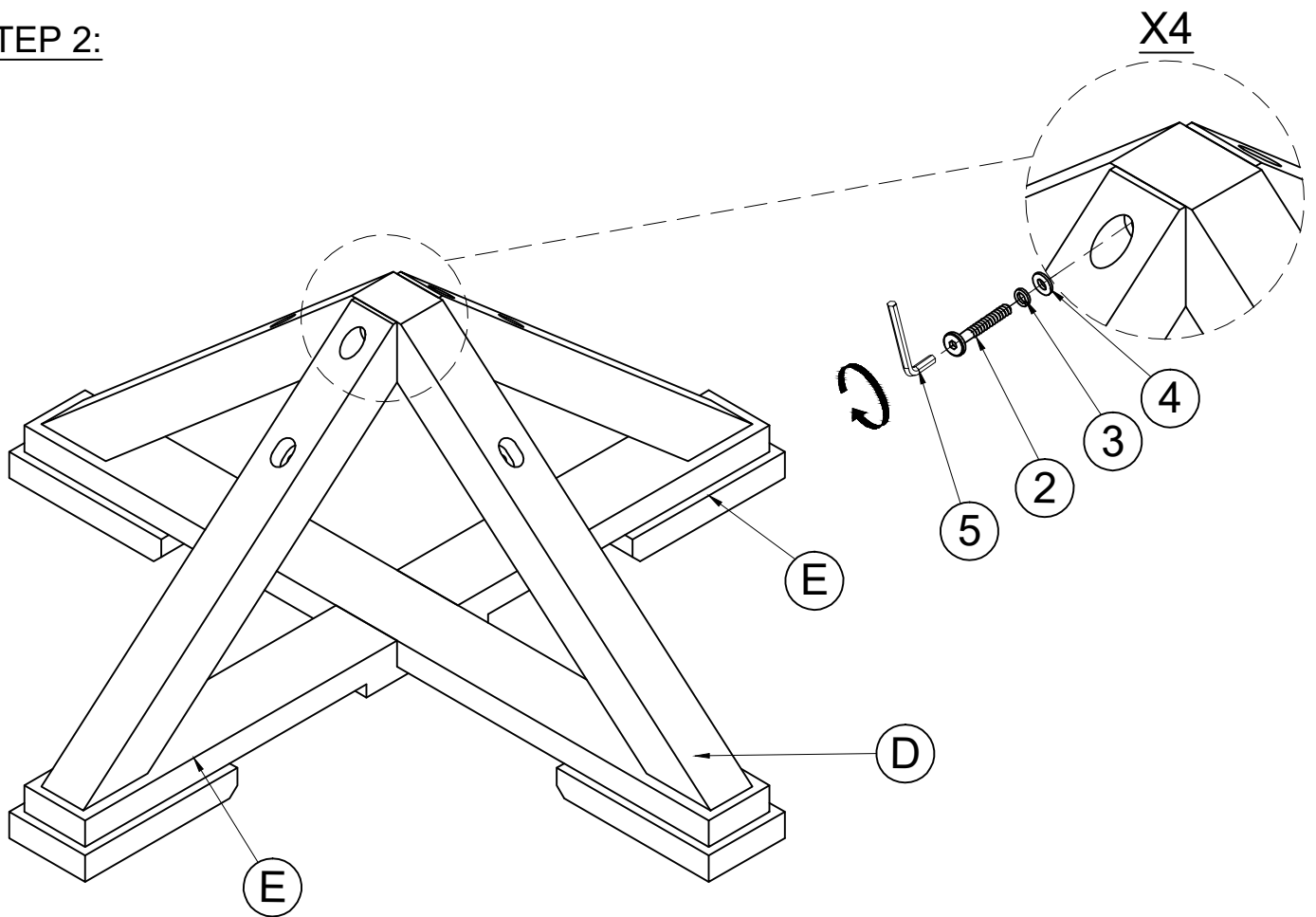
4mm

ALLEN KEY (1 pc)

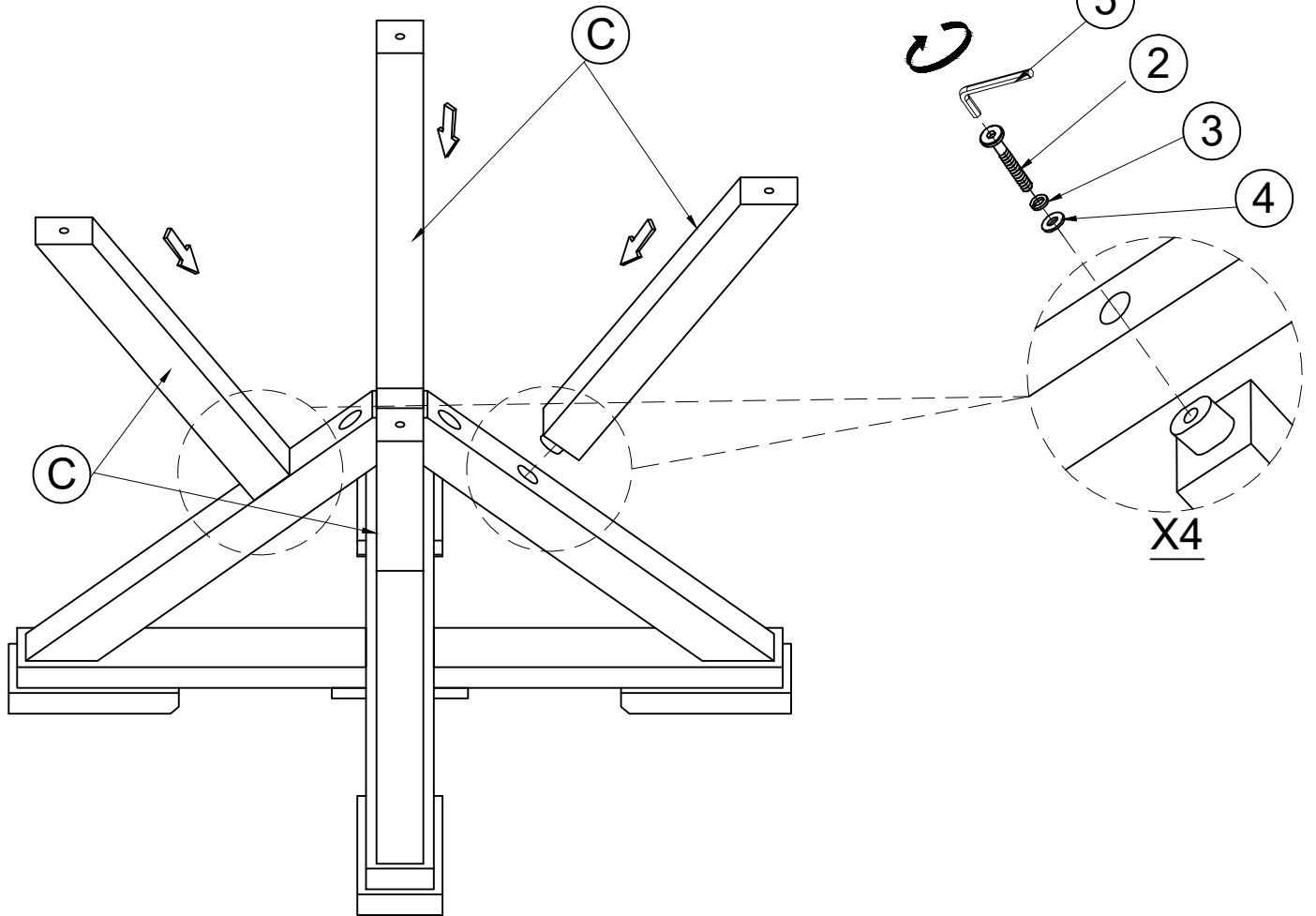
STEP 1:



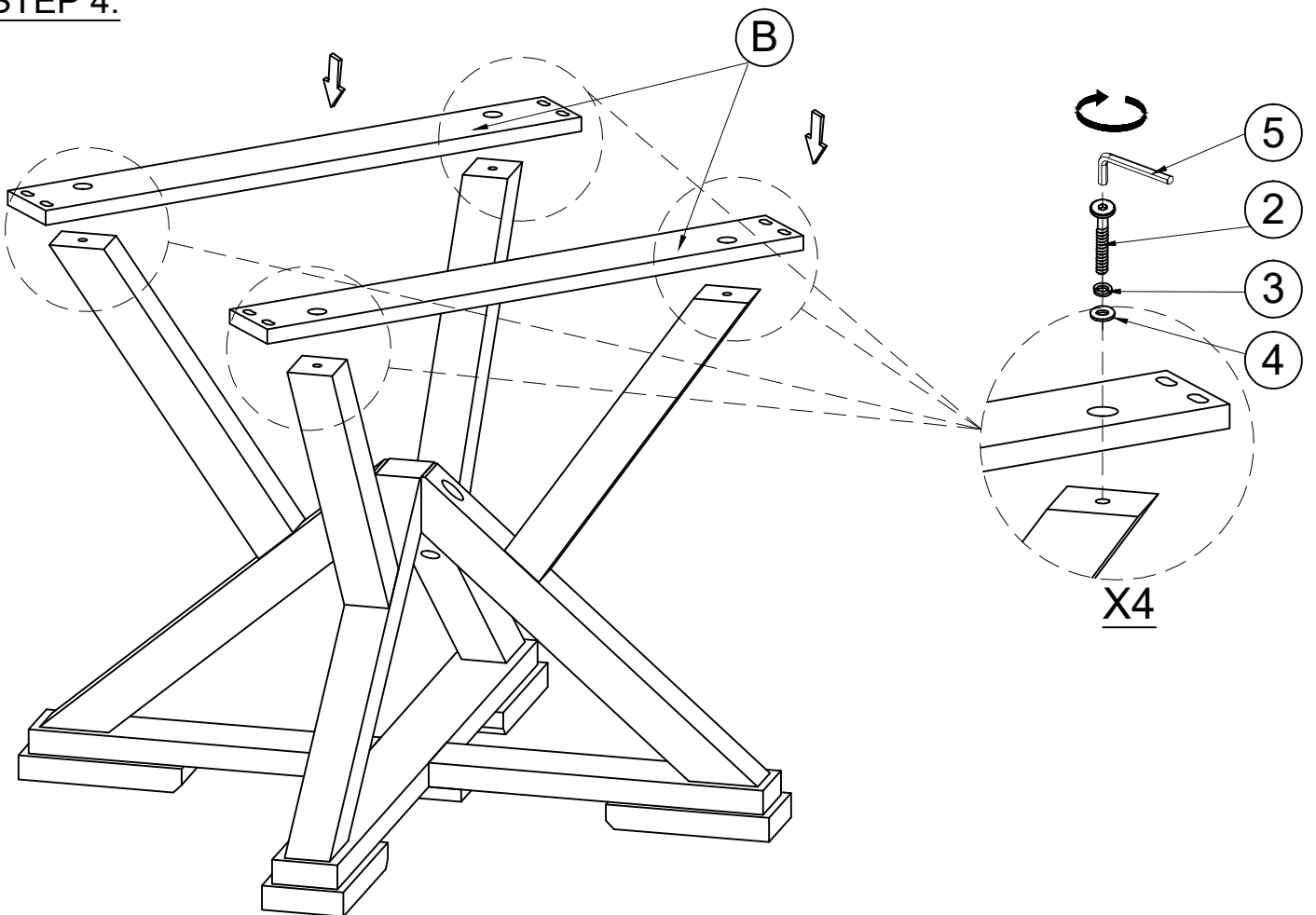
STEP 2:



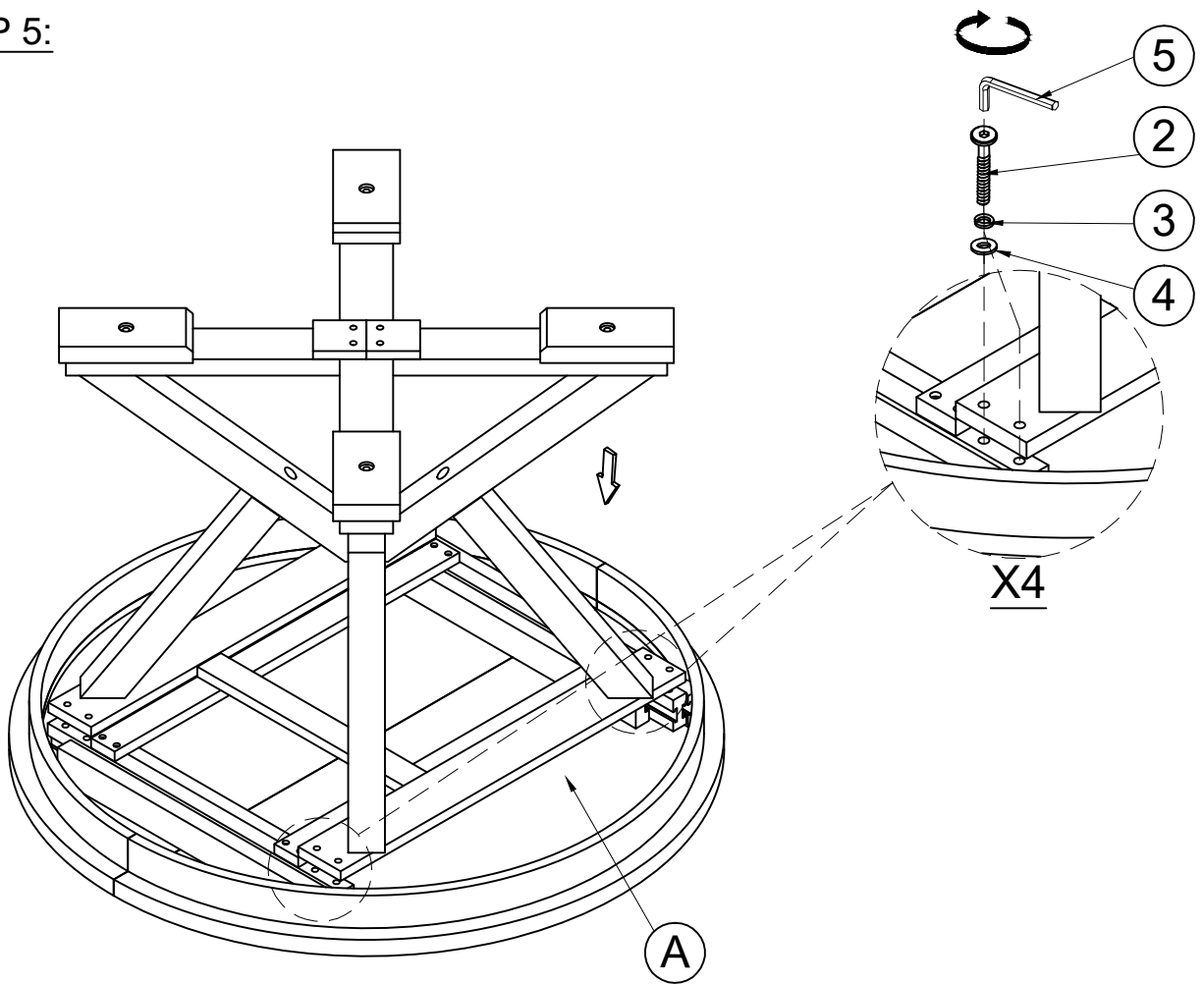
STEP 3:



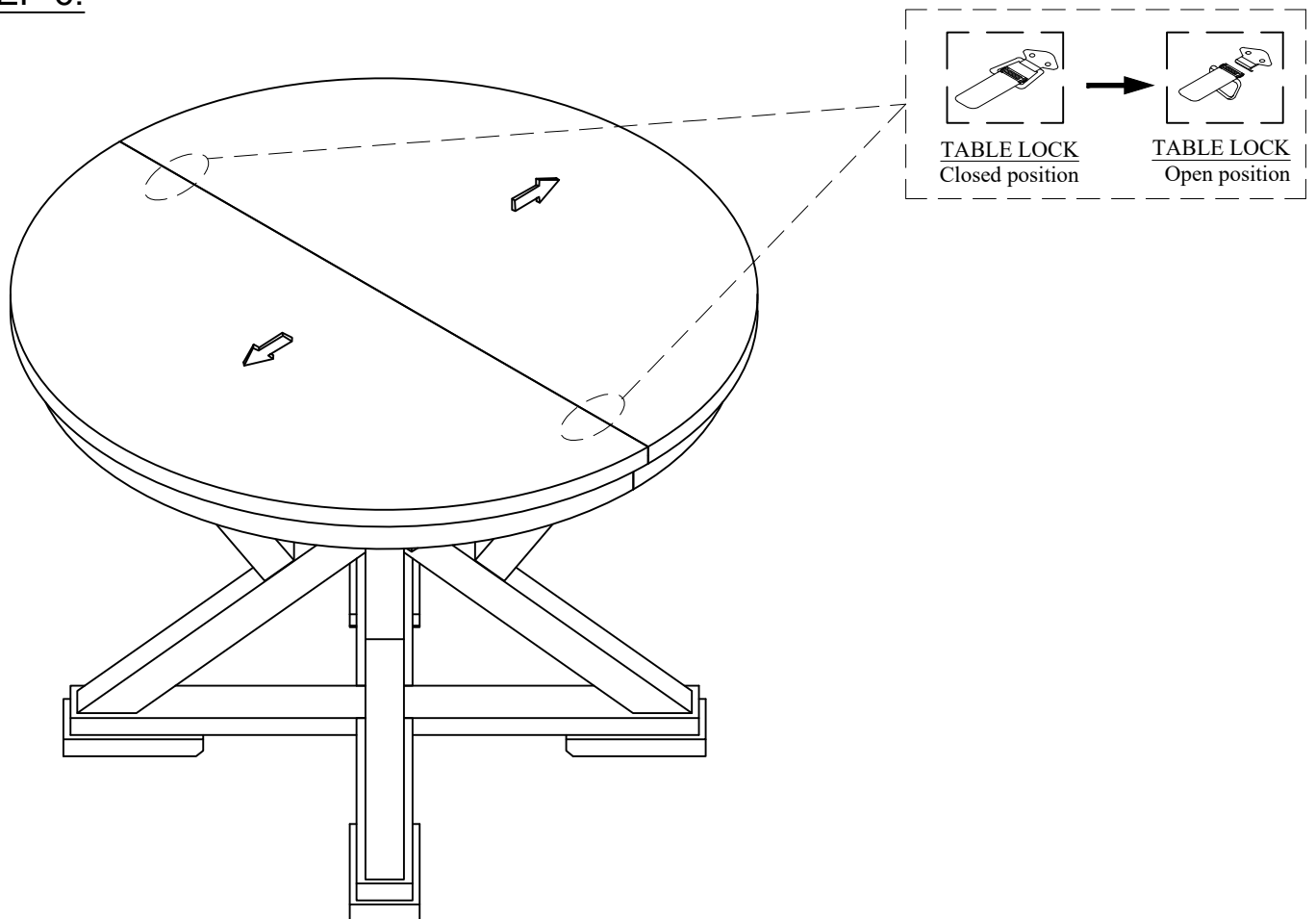
STEP 4:



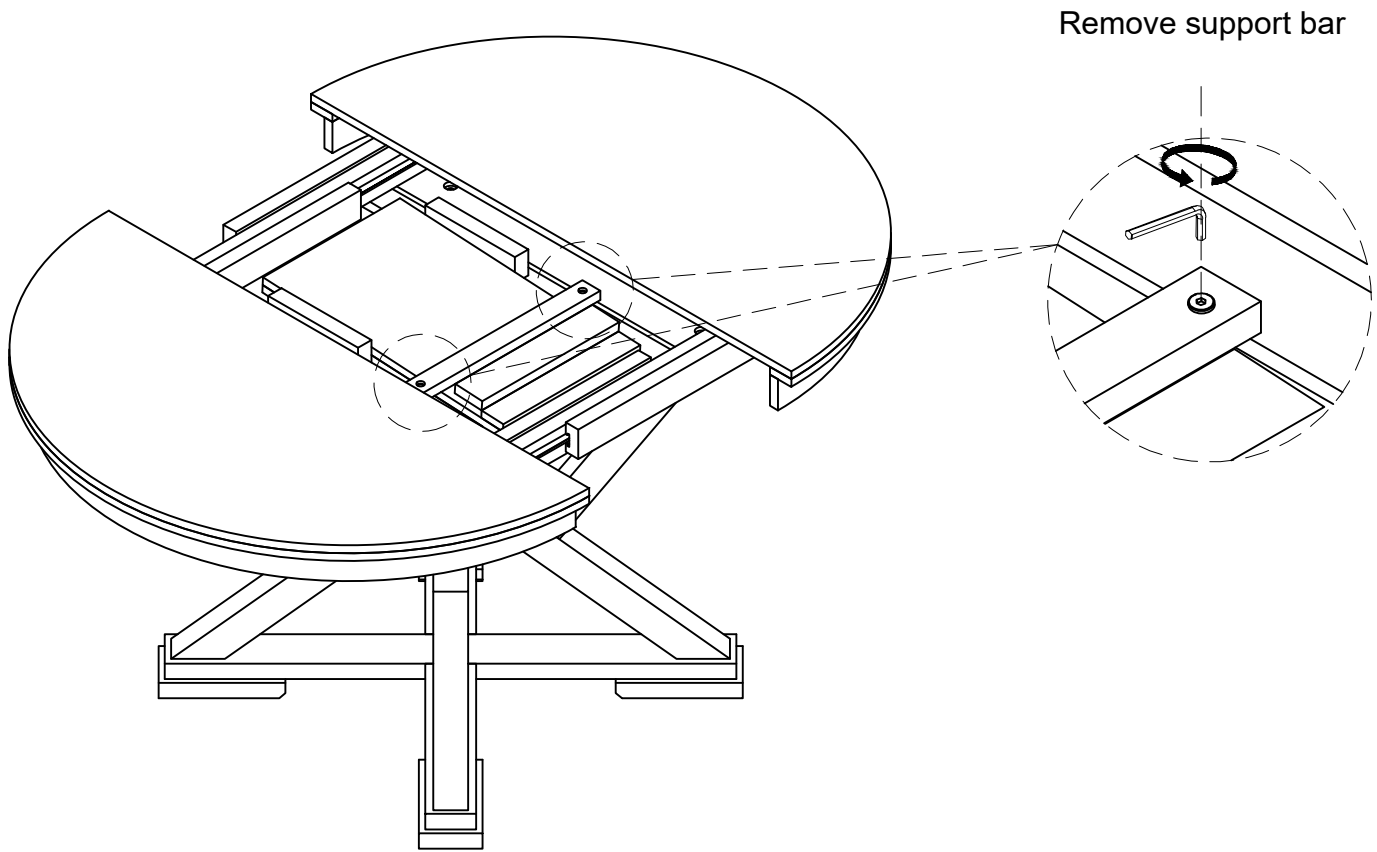
STEP 5:



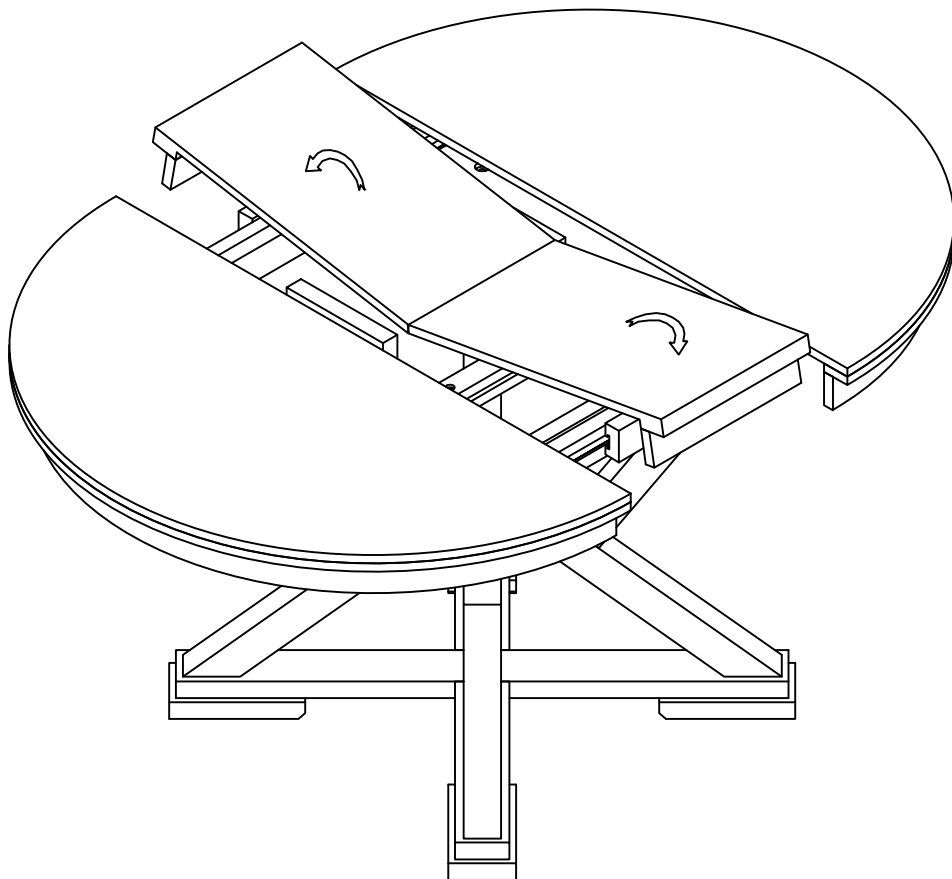
STEP 6:



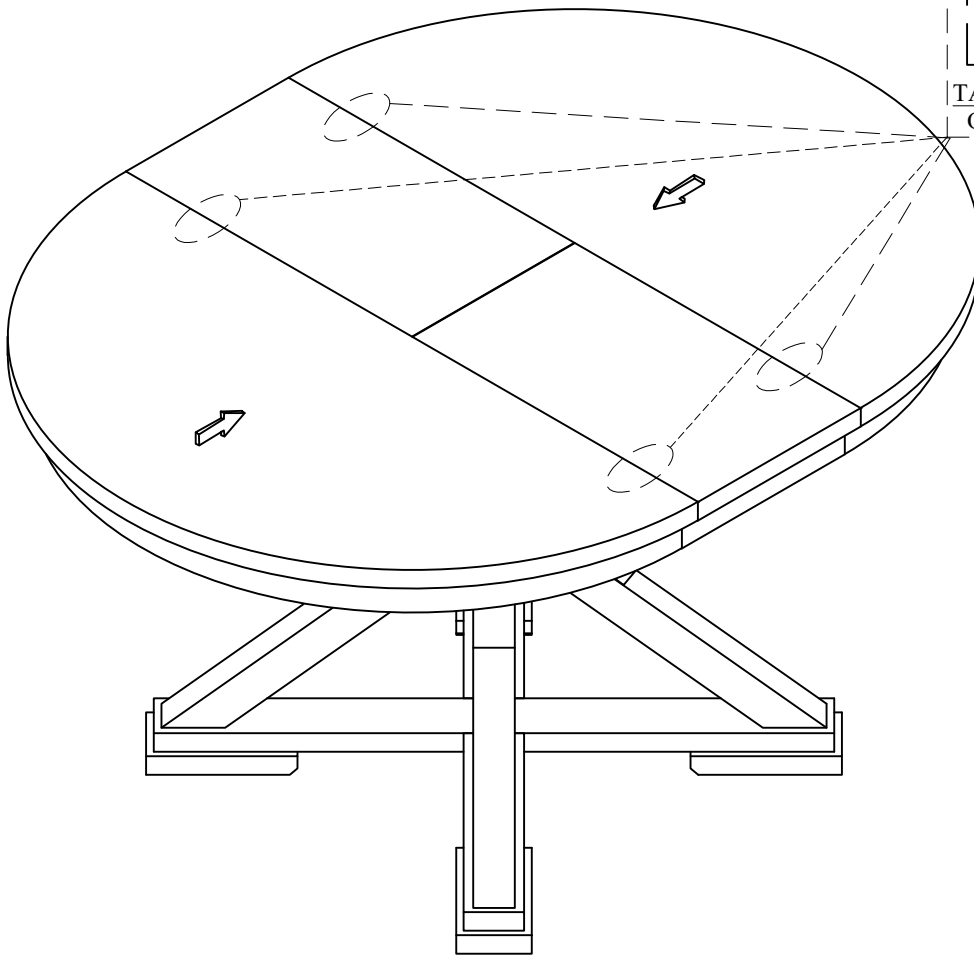
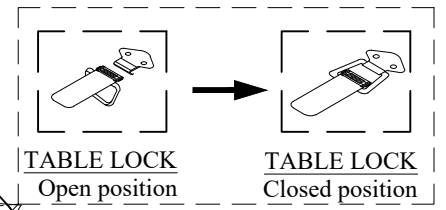
STEP 7:



STEP 8:



STEP 9:



COMPLETE:

