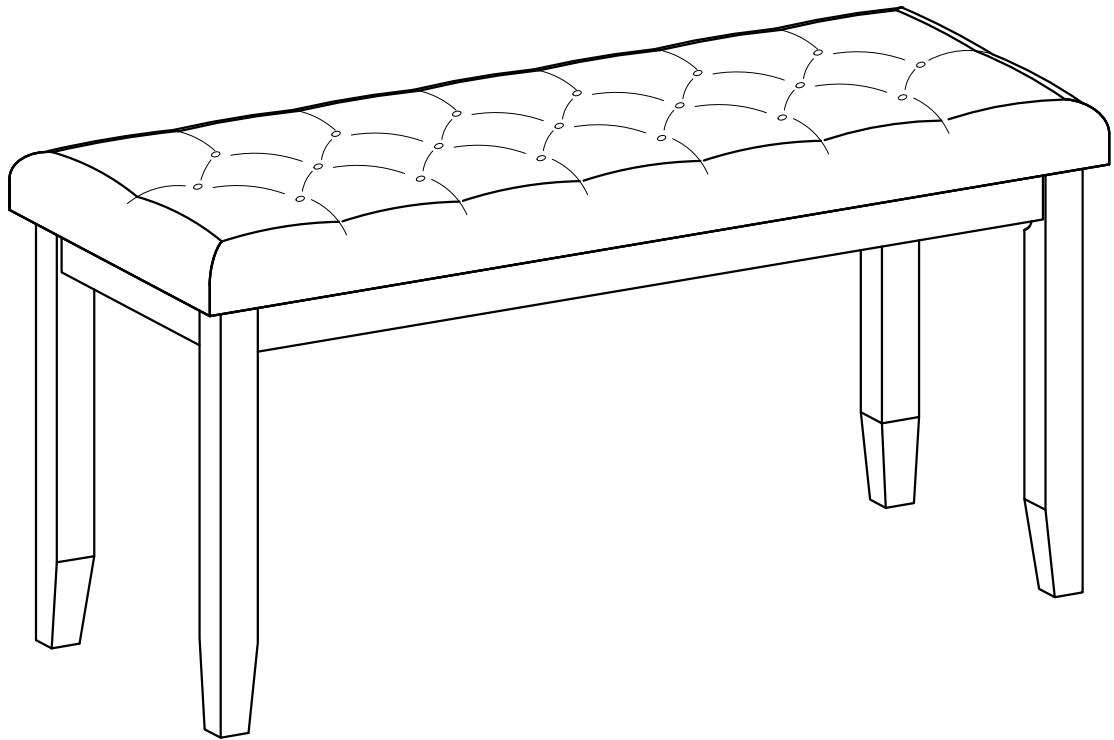


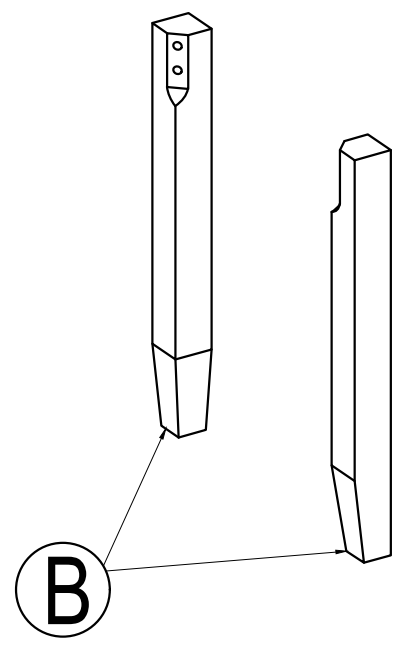
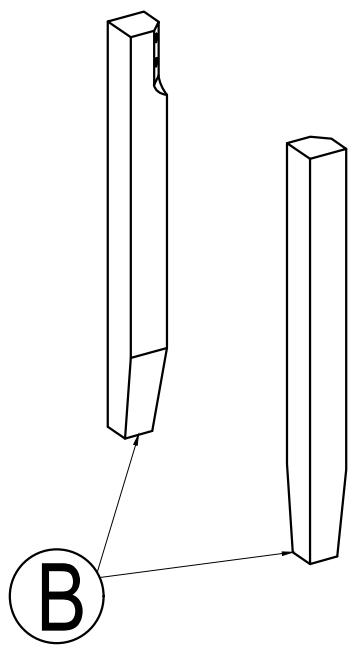
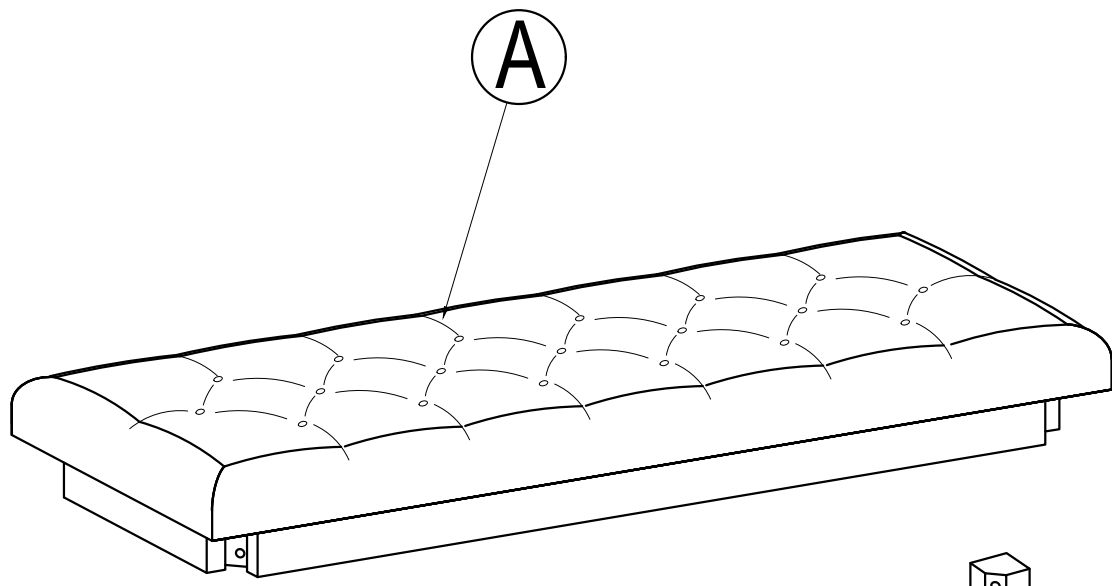
# ASSEMBLY INSTRUCTIONS

ITEM NO.WF311401



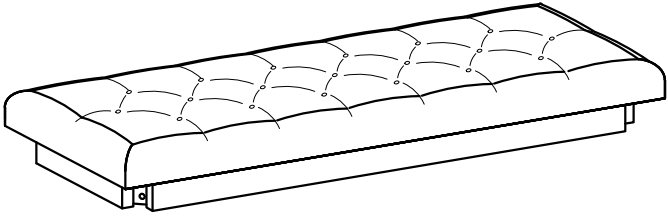
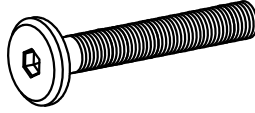

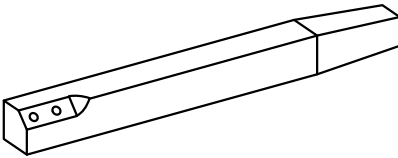
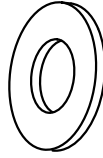

## IMPORTANT NOTE :

- ① PLACE ALL PARTS ON A CLEAN AND SMOOTH SURFACE SUCH AS A RUG OR CARPET TO AVOID THE PARTS FROM BEING SCRATCHED.
- ② BEFORE YOU BEGIN,KINDLY FOLLOW THE ASSEMBLY INSTRUCTIONS STEP BY STEP.
- ③ DO NOT TIGHTEN ALL SCREWS AND BOLTS UNTIL THE BENCH IS FULLY SET-UP.



# Part List

# Hardware List

<p>(A)</p>  <p>BENCH CUSHION SEAT (1 pc)</p>	<p>(1)</p>  <p>Ø1/4" x 50 mm BOLT (8 pcs)</p>
	<p>(2)</p>  <p>Ø5/16" x 13 mm FLAT WASHER (8 pcs)</p>
<p>(B)</p>  <p>BENCH LEG (4 pcs)</p>	<p>(3)</p>  <p>Ø5/16" x 19 mm LOCK WASHER (8 pcs)</p>
	<p>(4)</p>  <p>4 mm ALLEN KEY (1 pc)</p>

# STEP 1:

