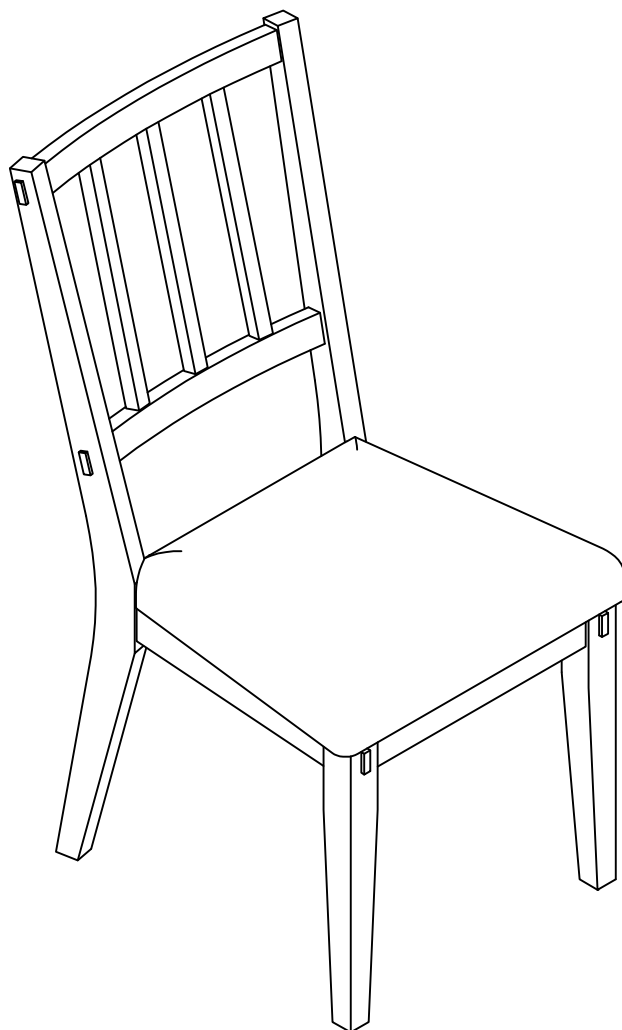


ASSEMBLY INSTRUCTIONS

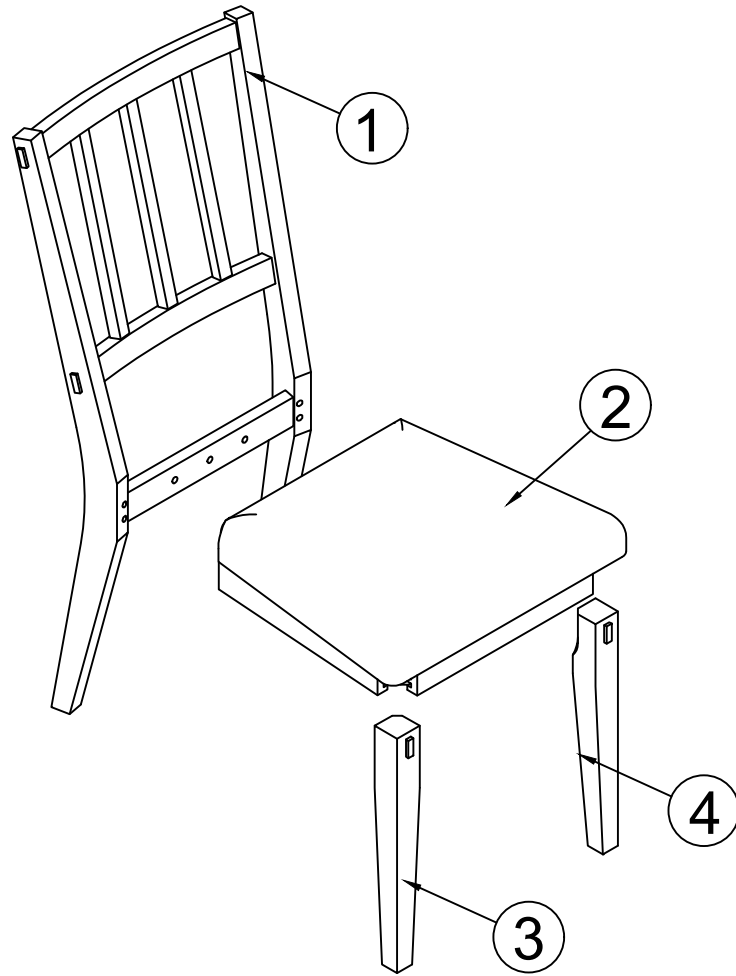
DINING CHAIR



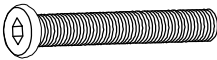
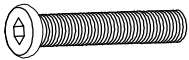
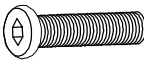

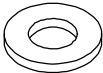

WF309348

IMPORTANT NOTE :

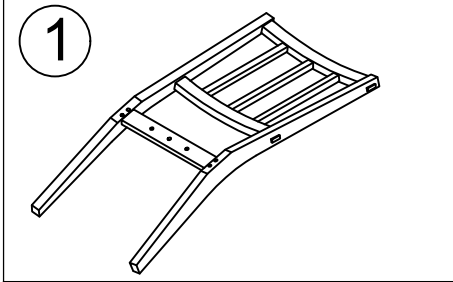
- ① PLACE ALL PARTS ON A CLEAN AND SMOOTH SURFACE SUCH AS A RUG OR CARPET TO AVOID THE PARTS FROM BEING SCRATCHED.
- ② BEFORE YOU BEGIN, KINDLY FOLLOW THE ASSEMBLY INSTRUCTIONS STEP BY STEP.
- ③ DO NOT TIGHTEN ALL SCREWS AND BOLTS UNTIL THE CHAIR IS FULLY SET-UP.



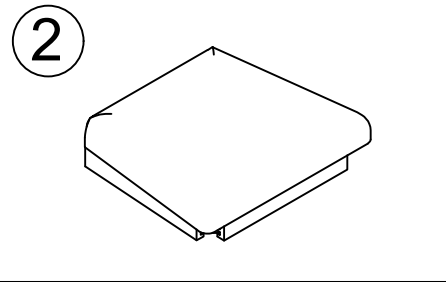
Hardware List For One Chair

<p>A</p>  <p>Ø1/4" x 70mm</p>	<p>B</p>  <p>Ø1/4" x 50mm</p>
<p>BOLT (4PCS)</p>	<p>BOLT (4PCS)</p>
<p>C</p>  <p>Ø1/4" x 38mm</p>	<p>D</p>  <p>Ø1/4" x 11mm</p>
<p>BOLT (2PCS)</p>	<p>LOCK WASHER (10PCS)</p>
<p>E</p>  <p>Ø1/4" x 18mm</p>	<p>F</p>  <p>4MM</p>
<p>FLAT WASHER (10PCS)</p>	<p>ALLEN (1PC)</p>

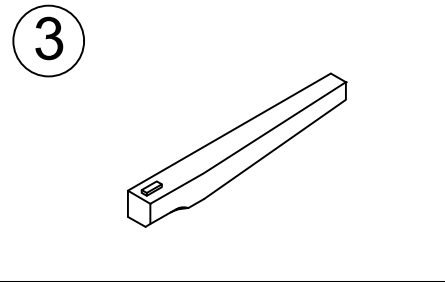
Part List For One Chair



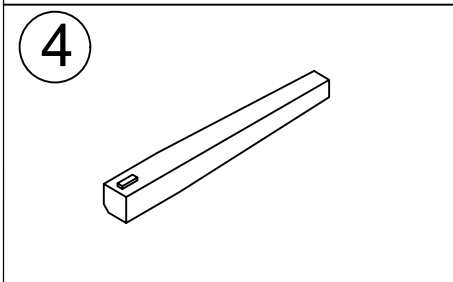
BACK FRAME (1PC)



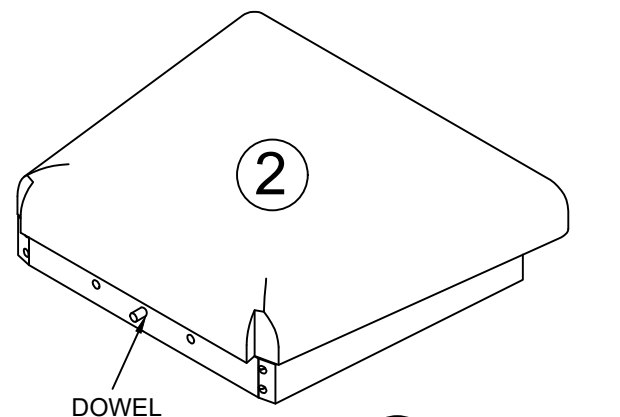
SEAT FRAME (1PC)



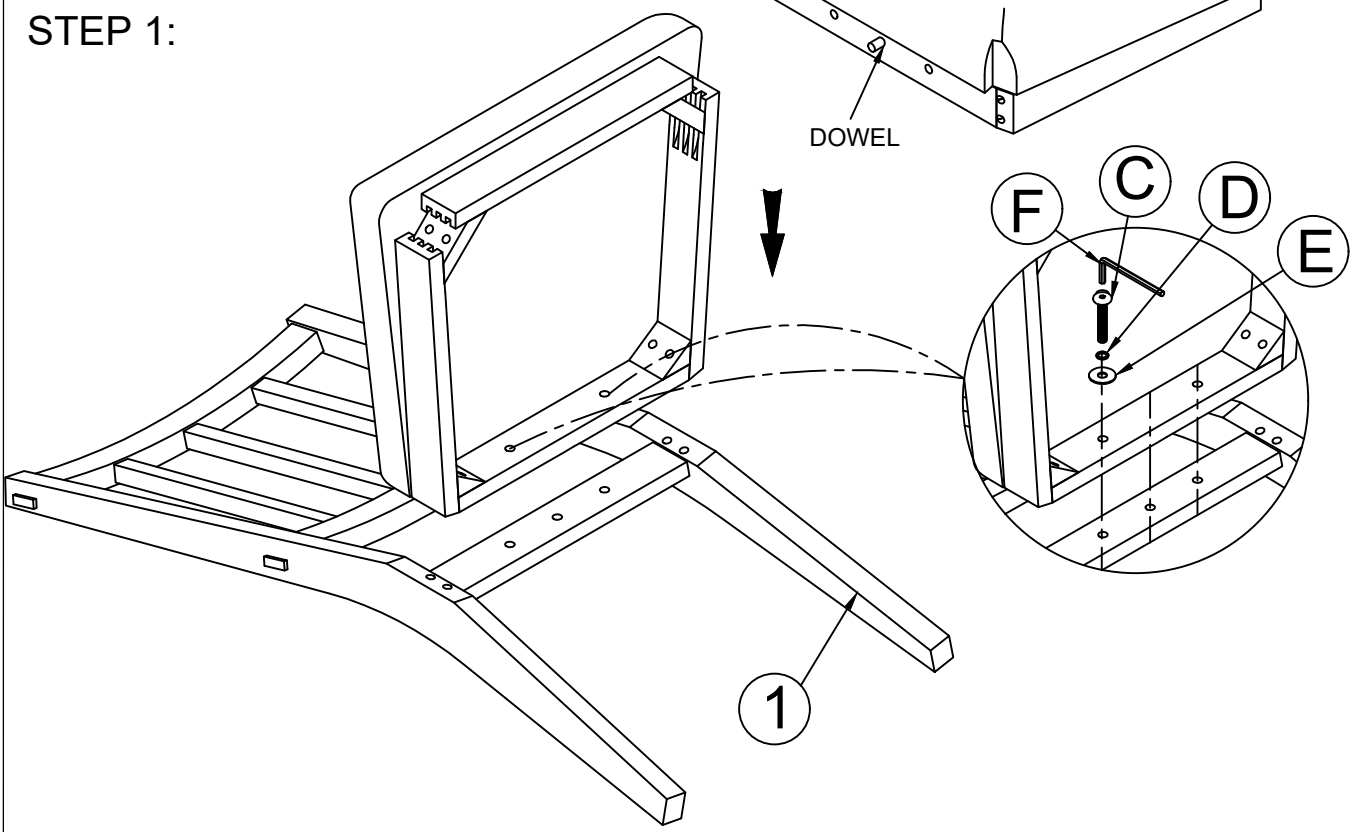
FRONT LEGS LEFT (1PC)



FRONT LEGS RIGHT (1PC)

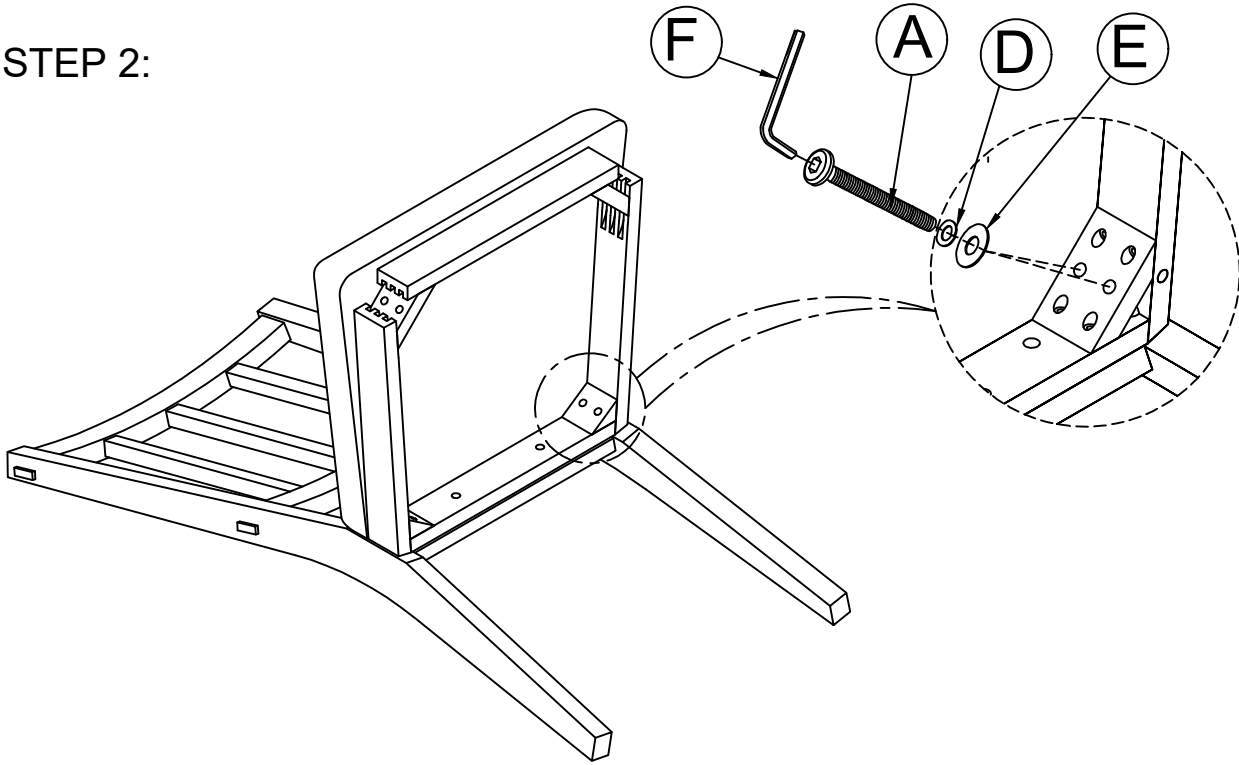






STEP 1:



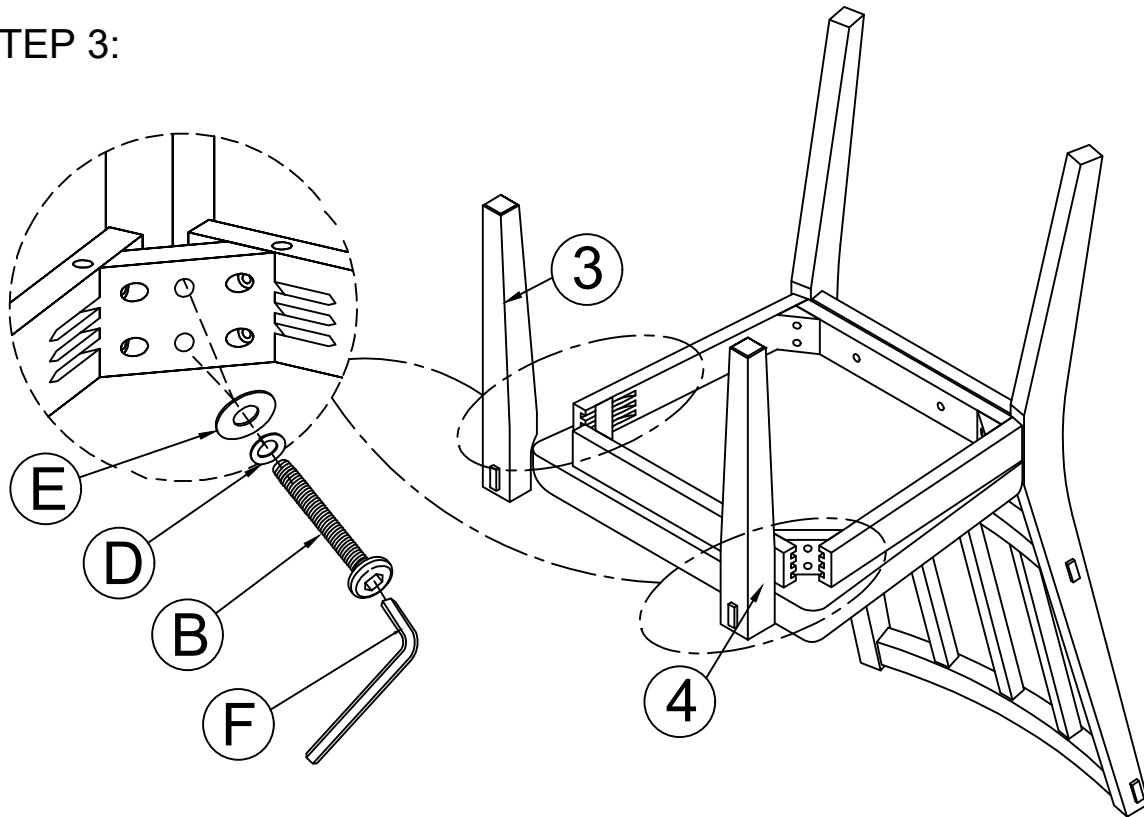
C	Ø1/4"x38mm		2pcs	D	Ø1/4"x11mm		2pcs
E	Ø1/4"x18mm		2pcs	F	4mm		1pc





STEP 2:



A	Ø1/4"x70mm		4pcs	D	Ø1/4"x11mm		4pcs
E	Ø1/4"x18mm		4pcs	F	4mm		1pc

STEP 3:



B	Ø1/4"x50mm		4pcs	D	Ø1/4"x11mm		4pcs
E	Ø1/4"x18mm		4pcs	F	4mm		1pc

STEP 4:

