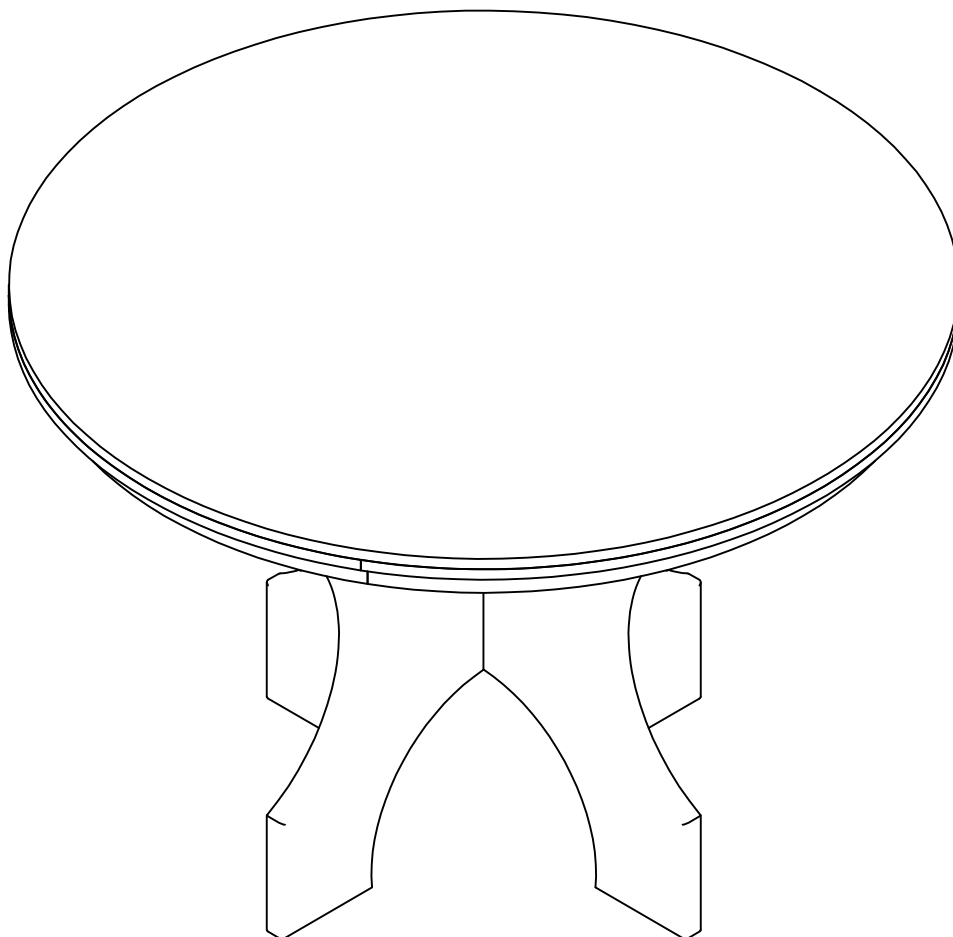


ASSEMBLY INSTRUCTIONS

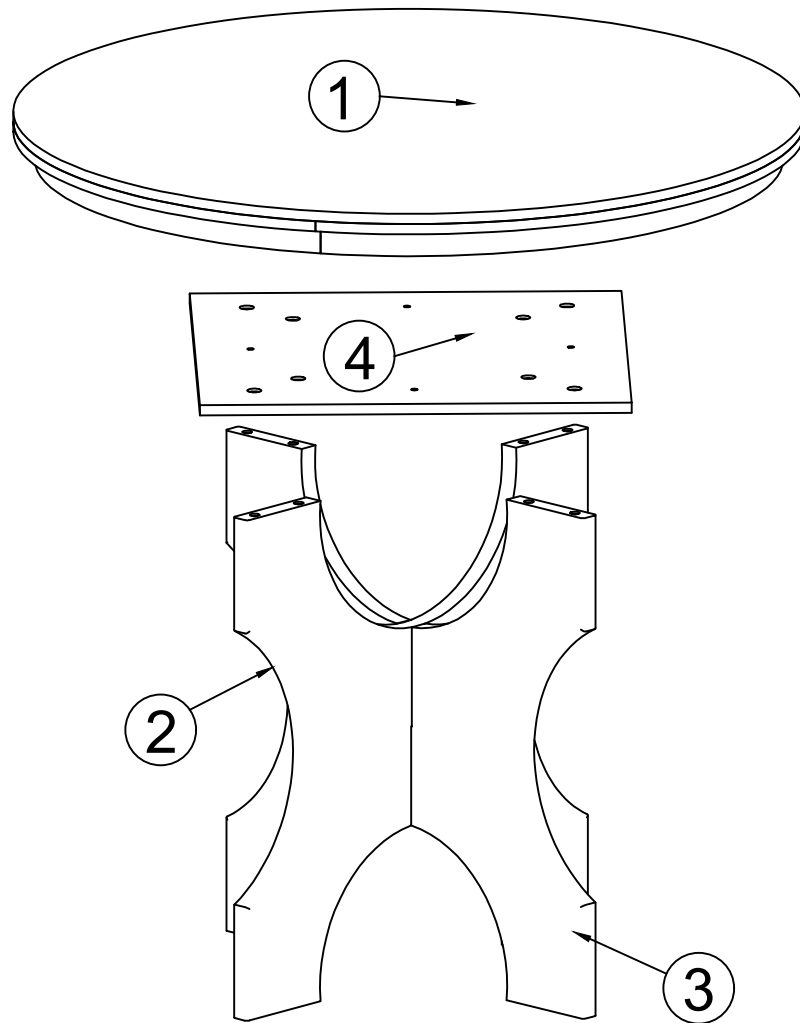
DINING TABLE



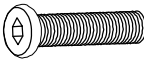
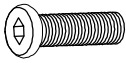



WF309346

IMPORTANT NOTE :

- ① PLACE ALL PARTS ON A CLEAN AND SMOOTH SURFACE SUCH AS A RUG OR CARPET TO AVOID THE PARTS FROM BEING SCRATCHED.
- ② BEFORE YOU BEGIN, KINDLY FOLLOW THE ASSEMBLY INSTRUCTIONS STEP BY STEP.
- ③ DO NOT TIGHTEN ALL SCREWS AND BOLTS UNTIL THE CHAIR IS FULLY SET-UP.



Hardware List For One Table

<p>A</p>  <p>Ø1/4" x 40mm</p>	<p>B</p>  <p>Ø1/4" x 28mm</p>
<p>BOLT (8PCS)</p>	<p>BOLT (4PCS)</p>
<p>C</p>  <p>Ø1/4" x 11mm</p>	<p>D</p>  <p>Ø1/4" x 18mm</p>
<p>LOCK WASHER (12PCS)</p>	<p>FLAT WASHER (12PCS)</p>
<p>E</p>  <p>4MM</p>	
<p>ALLEN (1PC)</p>	

Part List For One Chair

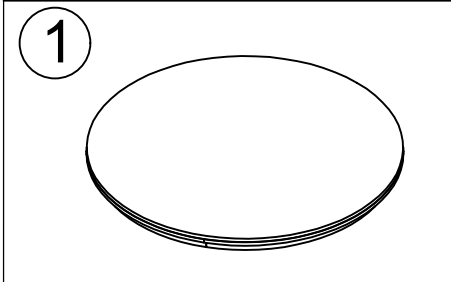
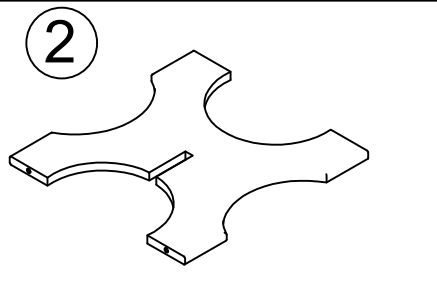
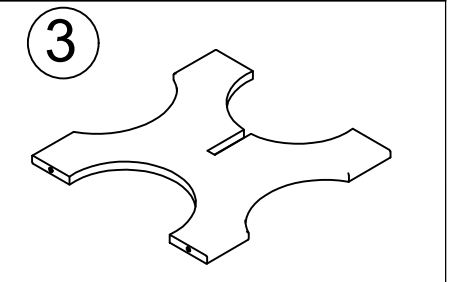


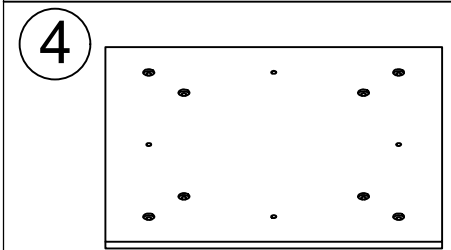
TABLE TOP (1PC)



LEG 1 (1PC)

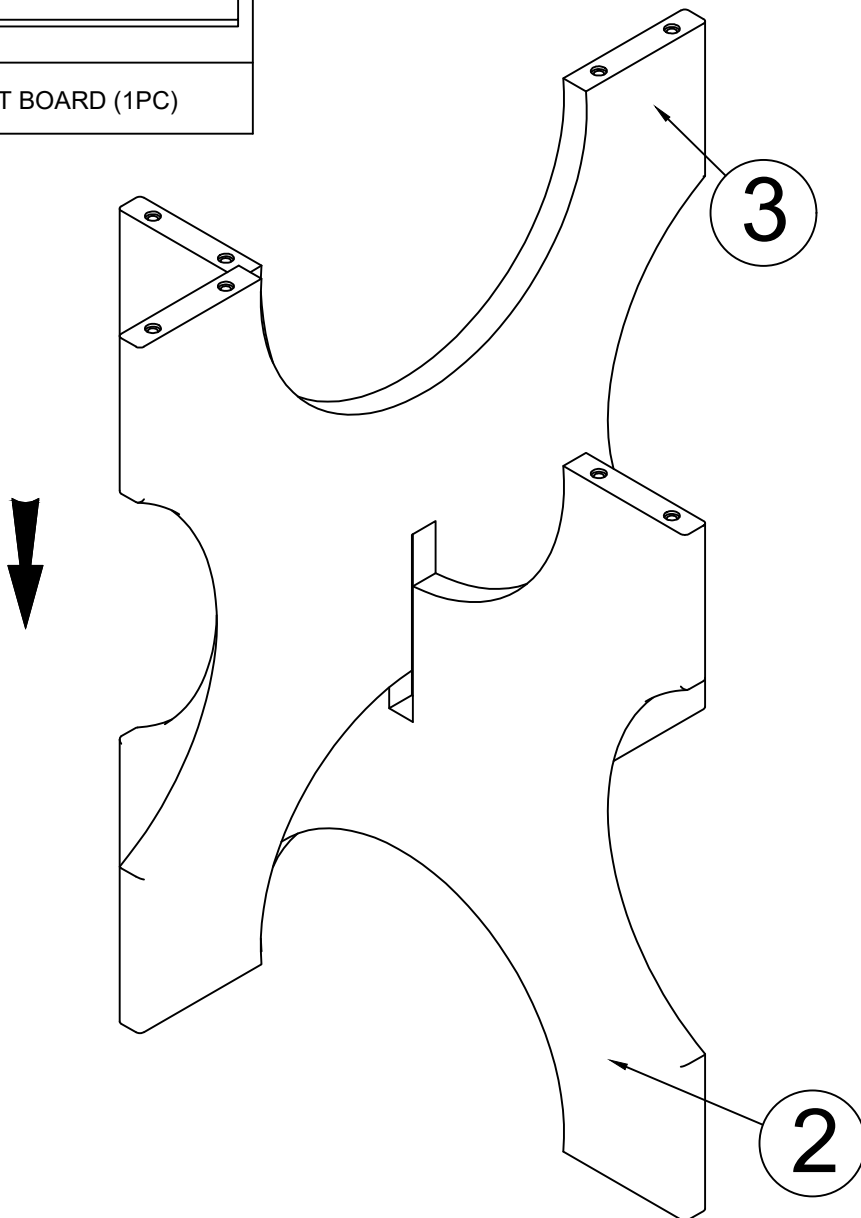


LEG 2 (1PC)

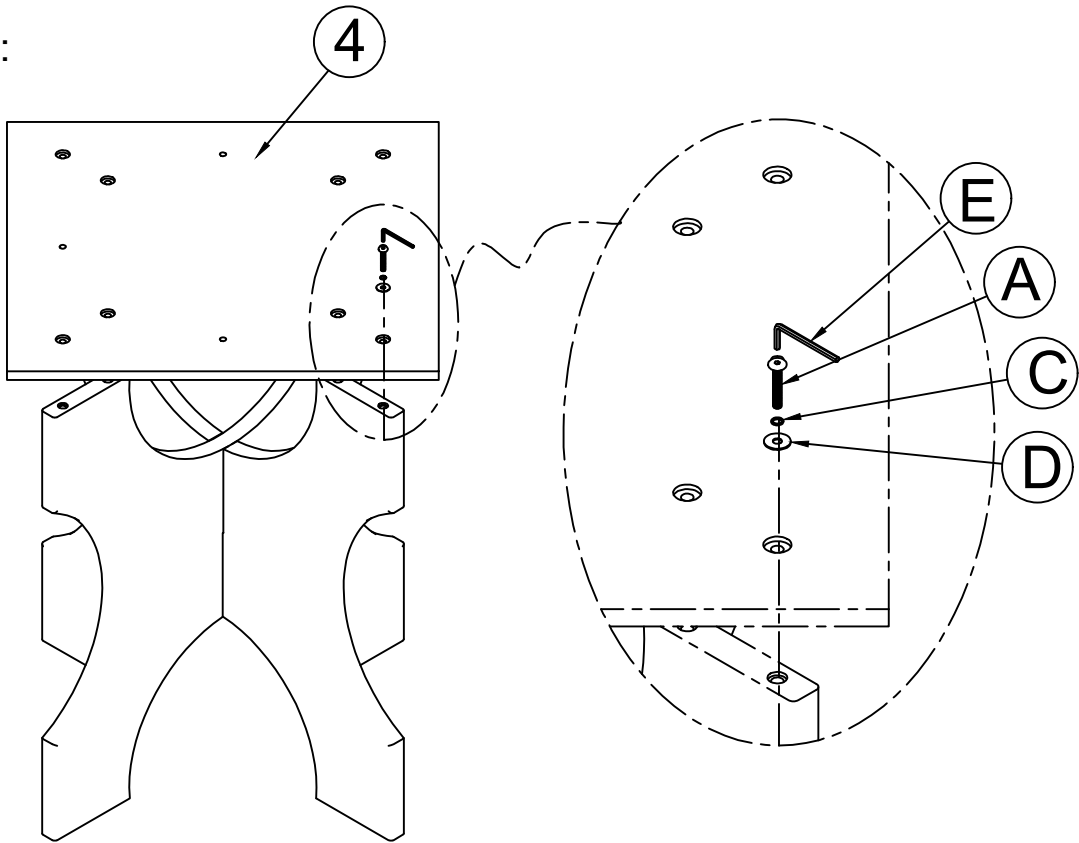






SUPPORT BOARD (1PC)

STEP 1:

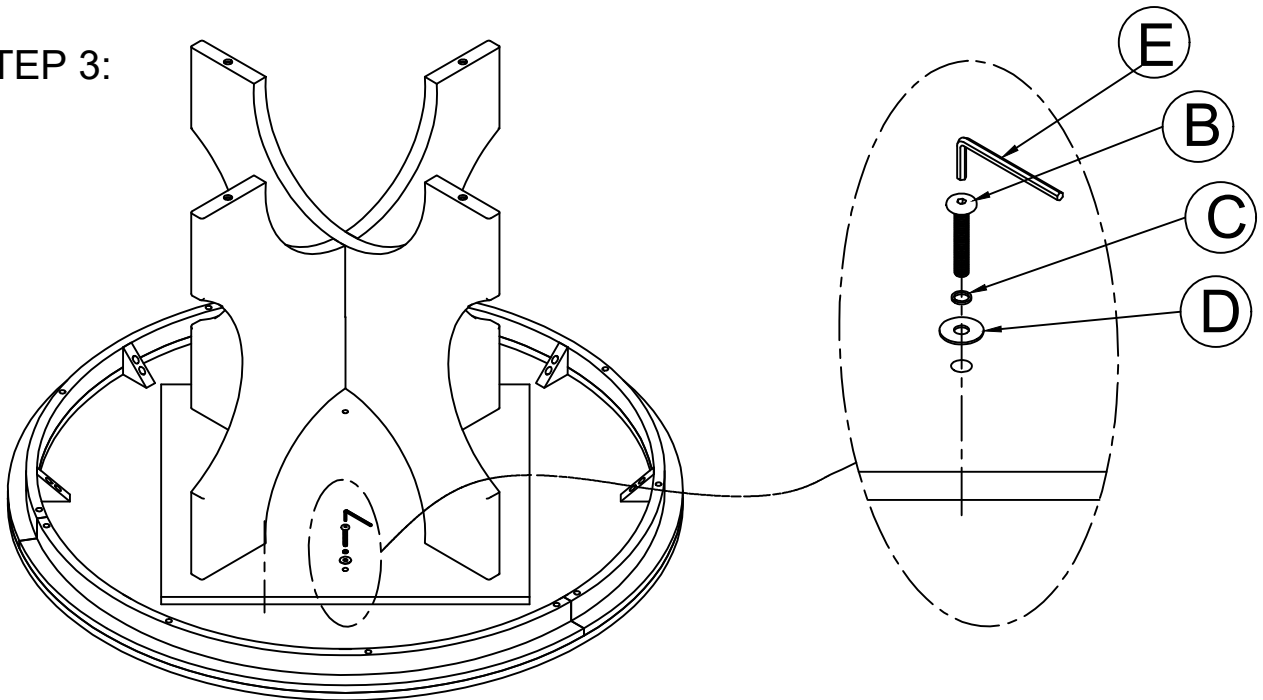






STEP 2:



A	Ø1/4"x40mm		8pcs	C	Ø1/4"x11mm		8pcs
D	Ø1/4"x18mm		8pcs	E	4mm		1pc

STEP 3:



B	Ø1/4"x28mm		4pcs	C	Ø1/4"x11mm		4pcs
D	Ø1/4"x18mm		4pcs	E	4mm		1pc

STEP 4:

