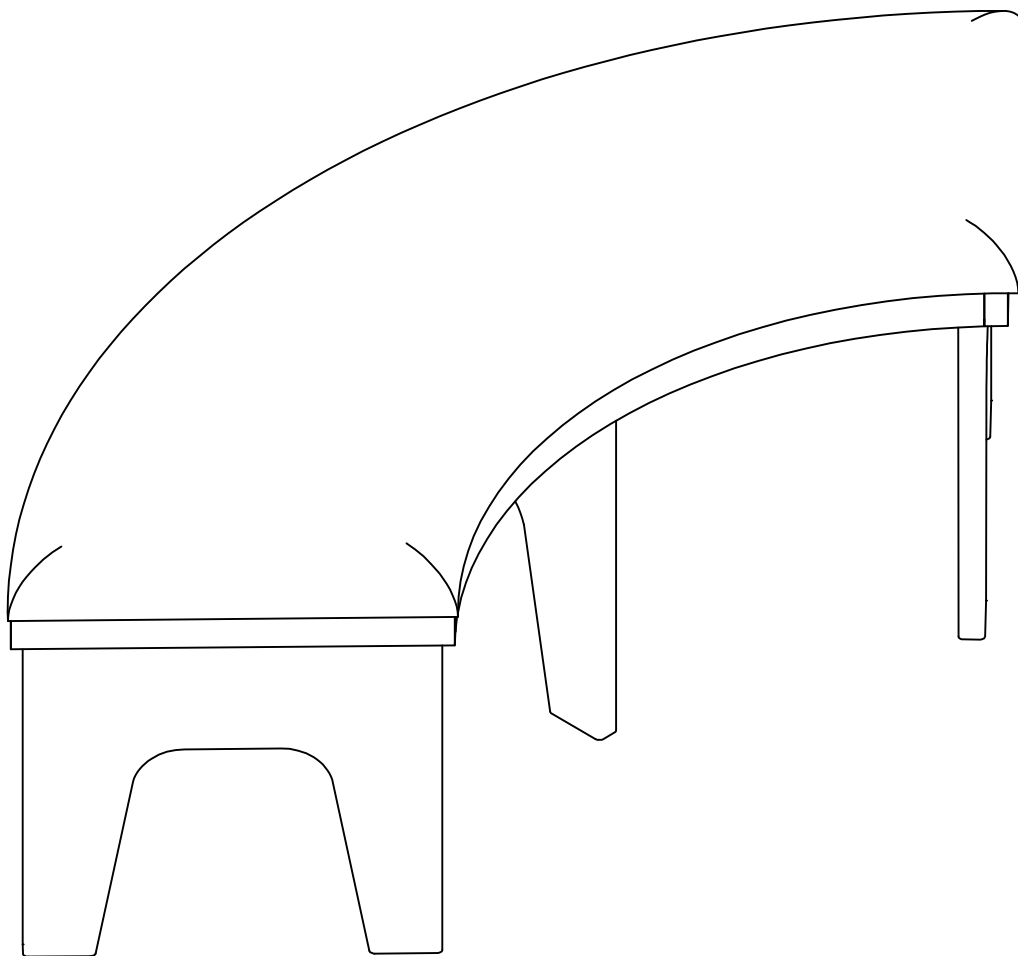


ASSEMBLY INSTRUCTIONS

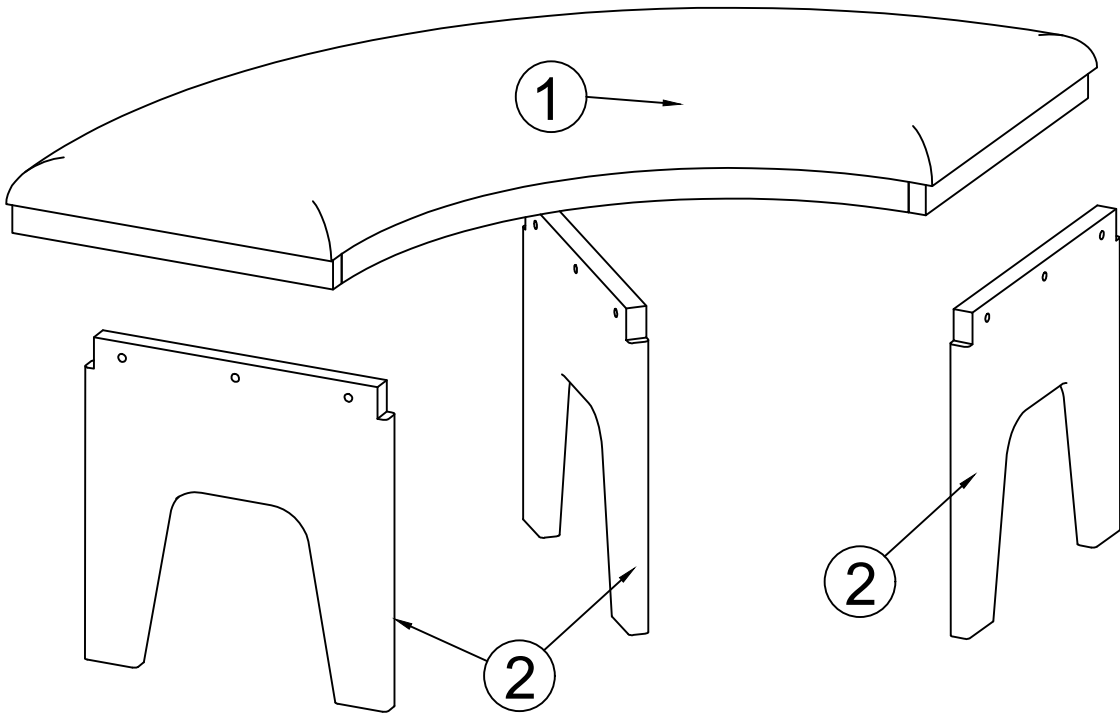
DINING BENCH



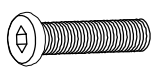



WF309347

IMPORTANT NOTE :

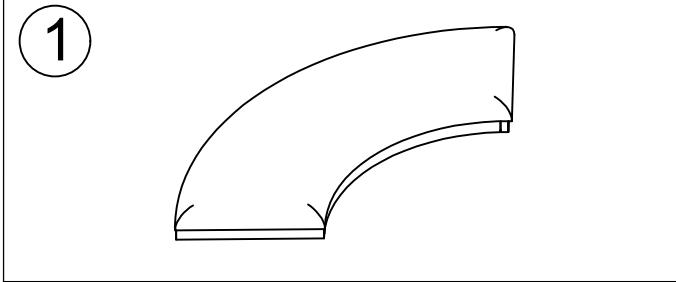
- ① PLACE ALL PARTS ON A CLEAN AND SMOOTH SURFACE SUCH AS A RUG OR CARPET TO AVOID THE PARTS FROM BEING SCRATCHED.
- ② BEFORE YOU BEGIN, KINDLY FOLLOW THE ASSEMBLY INSTRUCTIONS STEP BY STEP.
- ③ DO NOT TIGHTEN ALL SCREWS AND BOLTS UNTIL THE CHAIR IS FULLY SET-UP.



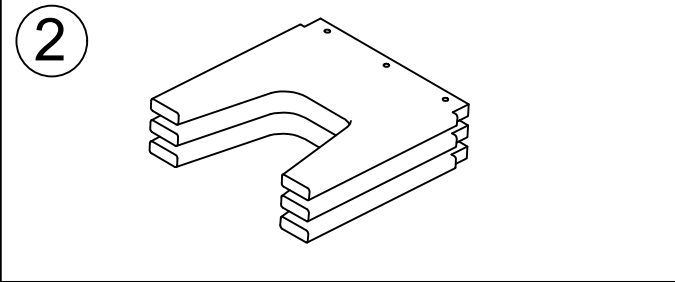
Hardware List For One Bench

<p>A</p>  <p>Ø1/4" x 35mm</p>	<p>B</p>  <p>Ø1/4" x 11mm</p>
<p>BOLT (9PCS)</p>	<p>LOCK WASHER (9PCS)</p>
<p>C</p>  <p>Ø1/4" x 16mm</p>	<p>D</p>  <p>4MM</p>
<p>FLAT WASHER (9PCS)</p>	<p>ALLEN (1PC)</p>

Part List For One Chair

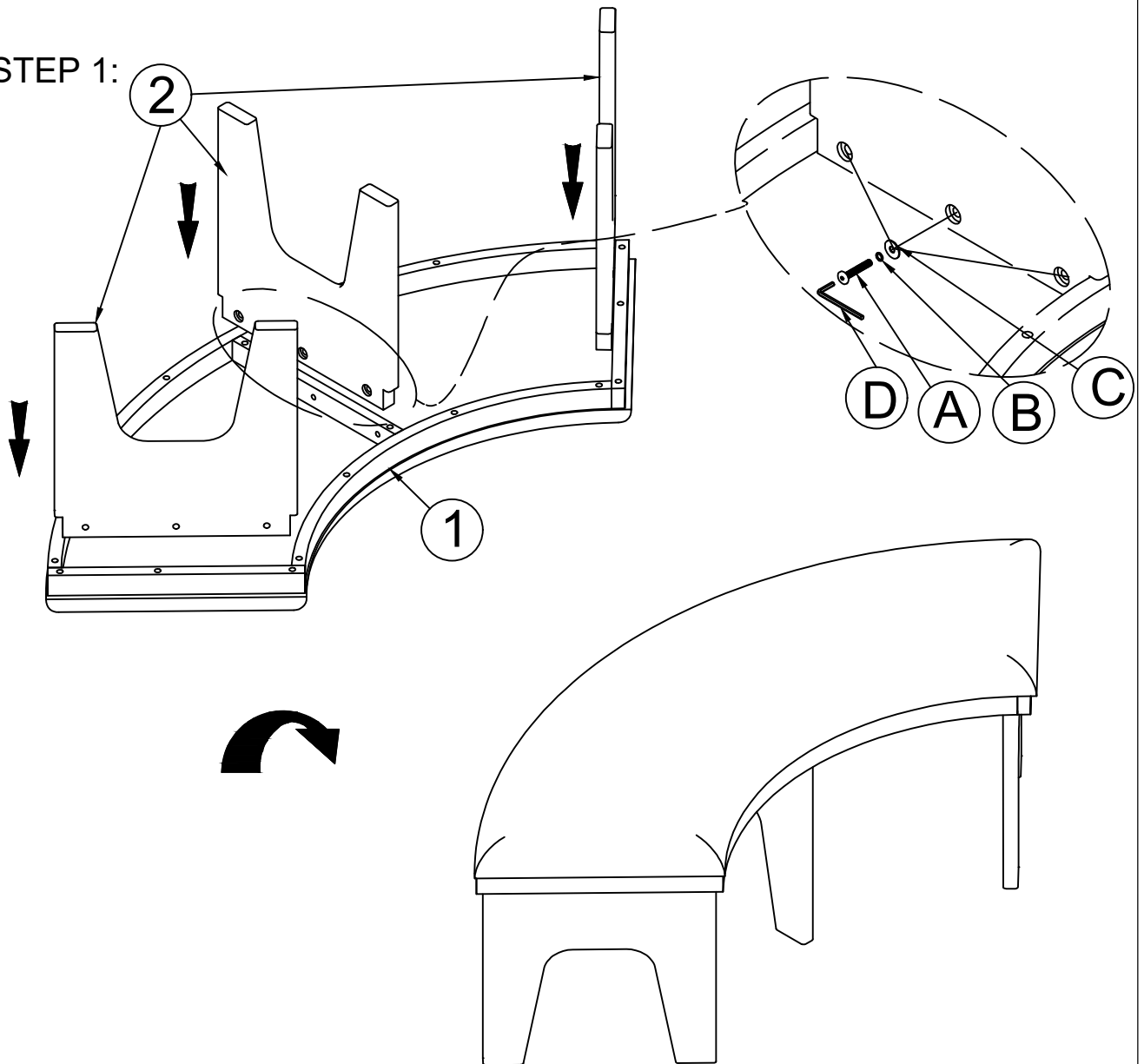






SEAT FRAME & CUSHION (1PC)



LEGS (3PCS)

STEP 1:



A	Ø1/4"x35mm		9pcs	B	Ø1/4"x11mm		9pcs
C	Ø1/4"x16mm		9pcs	D	4mm		1pc