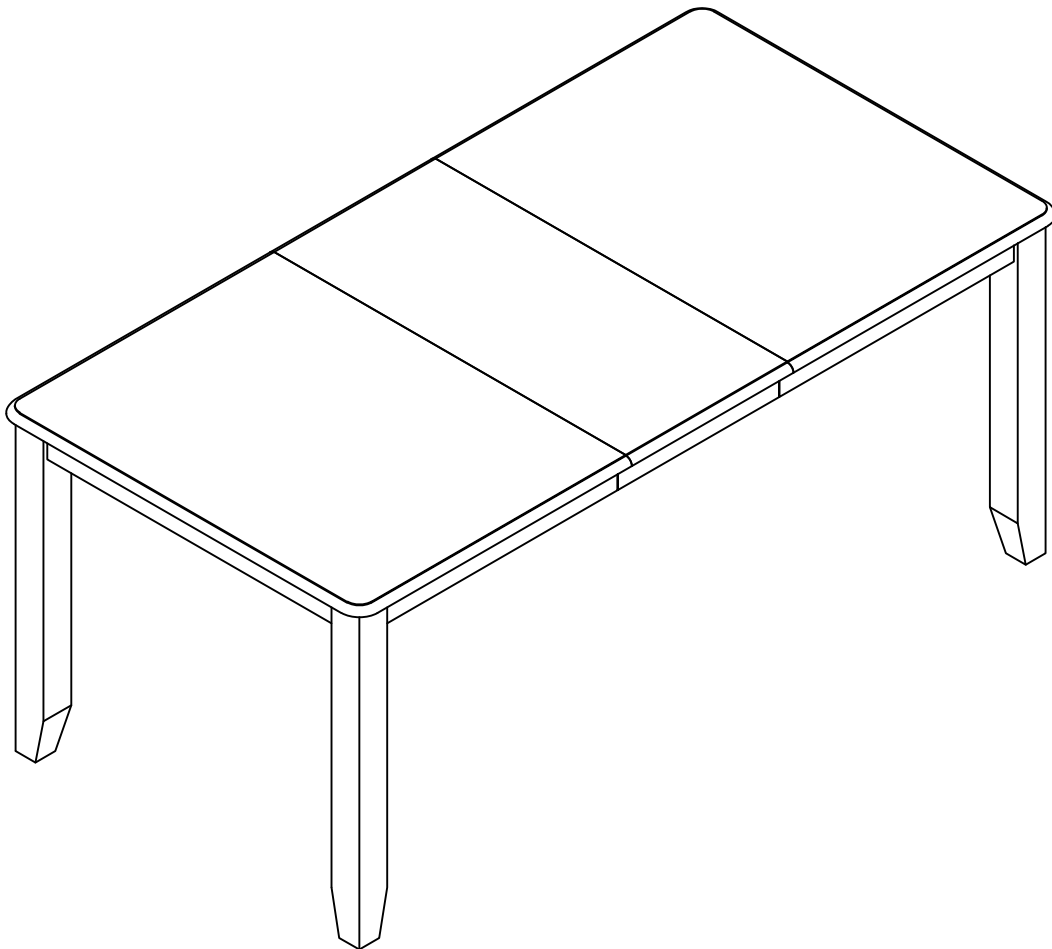


# ASSEMBLY INSTRUCTIONS

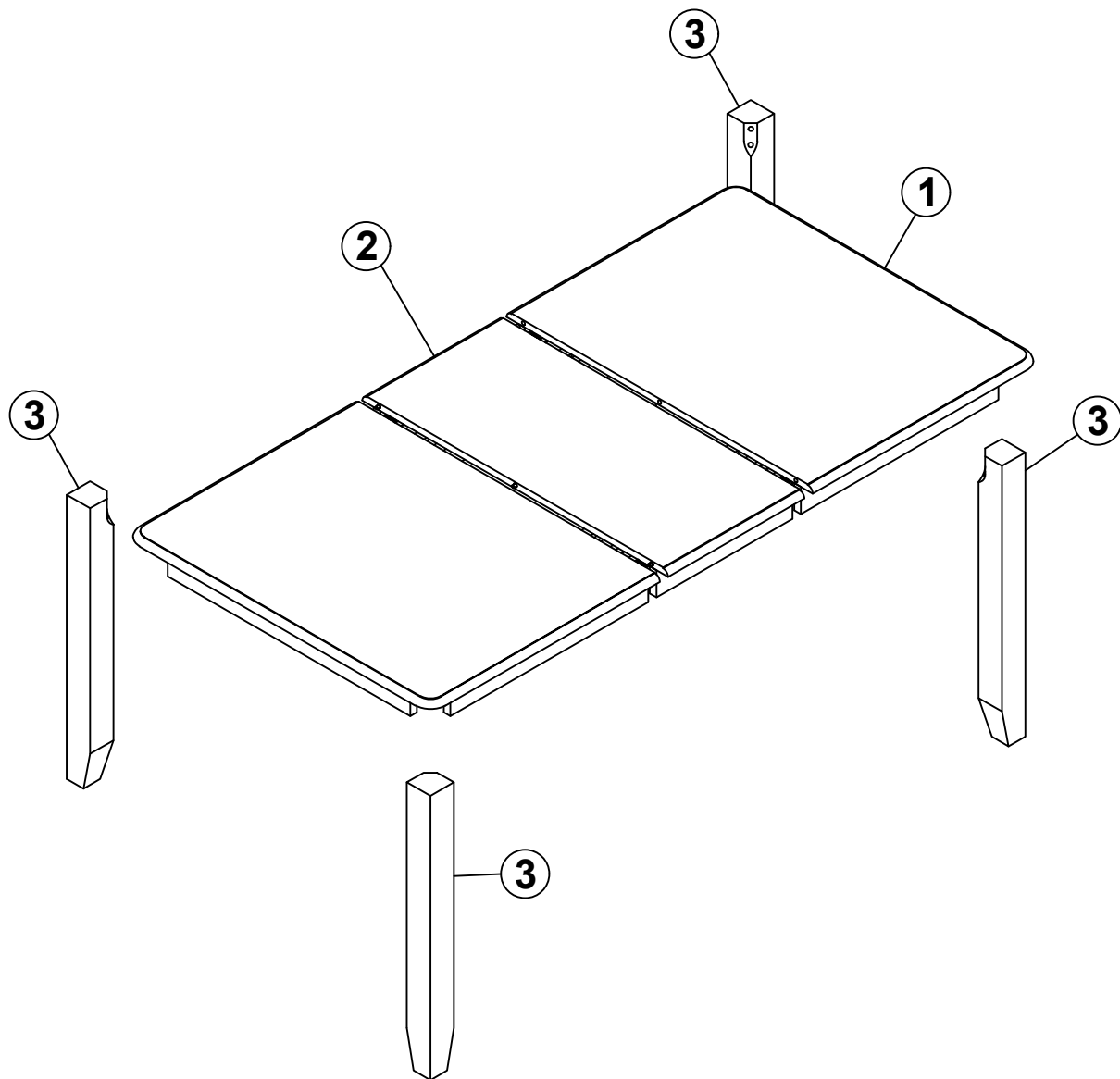
## DINING TABLE



WF295546

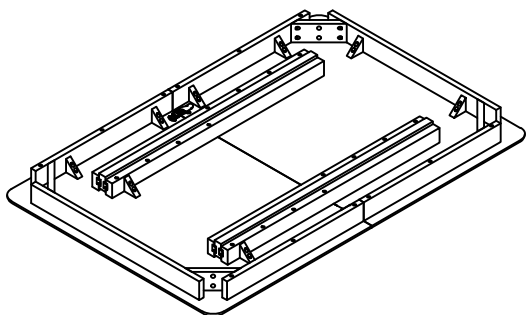
**IMPORTANT NOTE :**

- ① PLACE ALL PARTS ON A CLEAN AND SMOOTH SURFACE SUCH AS A RUG OR CARPET TO AVOID THE PARTS FROM BEING SCRATCHED.
- ② BEFORE YOU BEGIN , KINDLY FOLLOW THE ASSEMBLY INSTRUCTIONS STEP BY STEP.
- ③ DO NOT TIGHTEN ALL SCREWS AND BOLTS UNTIL THE TABLE IS FULLY SET-UP



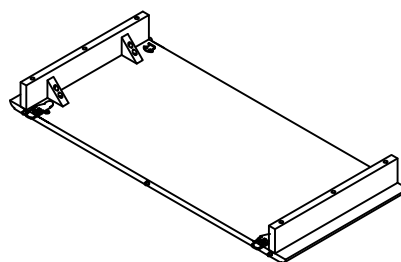
## PART LIST

①



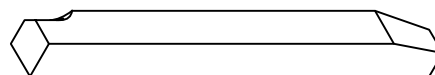
TOP TABLE (1pc)

②



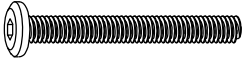

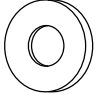
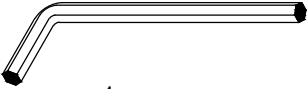
TOP MIDDLE TABLE (1pc)

③

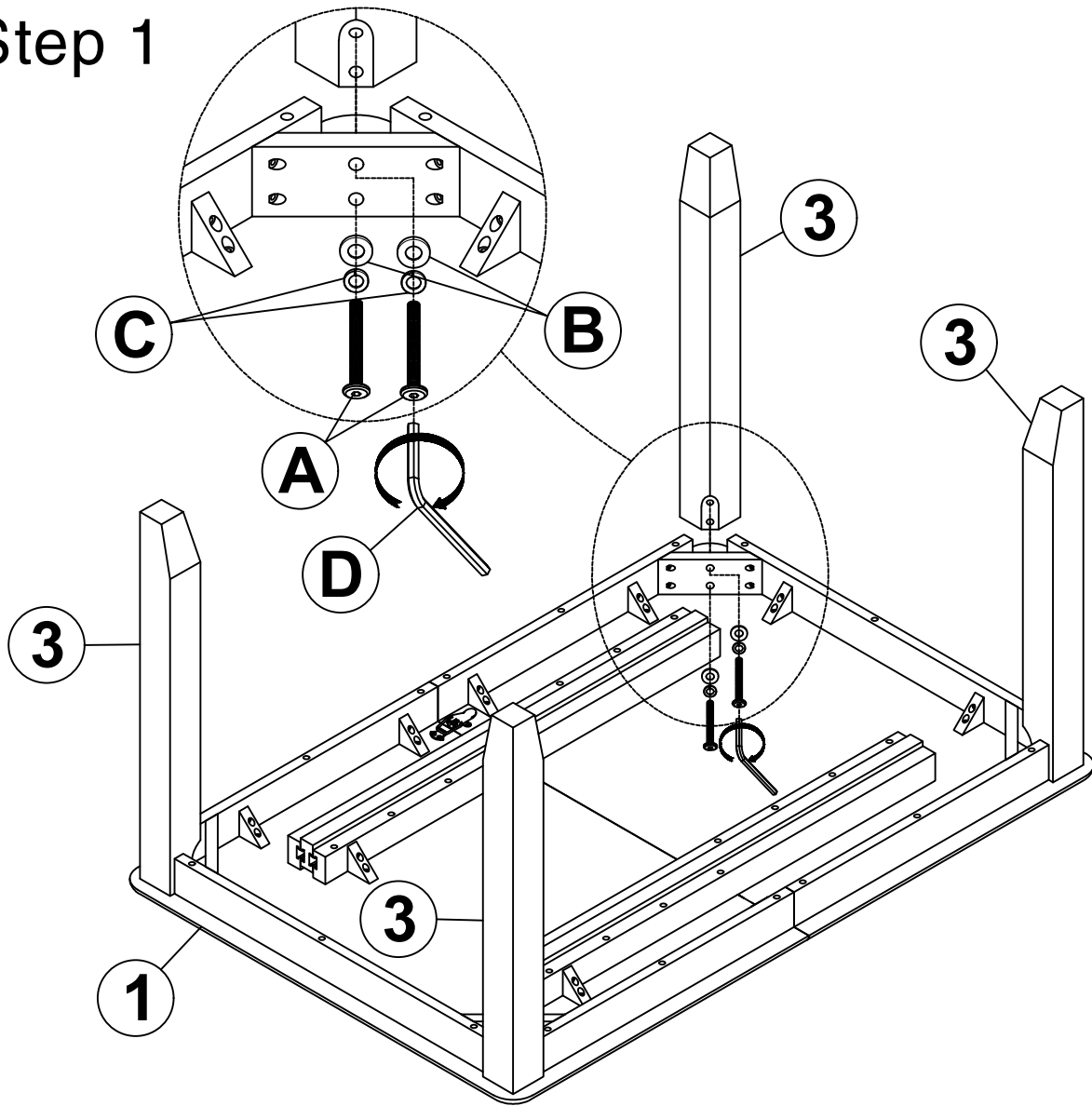






LEGS TABLE (4pcs)

# HARDWARE LIST

<b>A</b>  Ø5/16" x 70mm <b>BOLT (8pcs)</b>	<b>C</b>  Ø5/16" x 13mm <b>SPRING WASHER (8pcs)</b>
<b>B</b>  Ø5/16" x 19mm <b>FLAT WASHER (8pcs)</b>	<b>D</b>  4mm <b>ALLENKEY (1pc)</b>

## Step 1

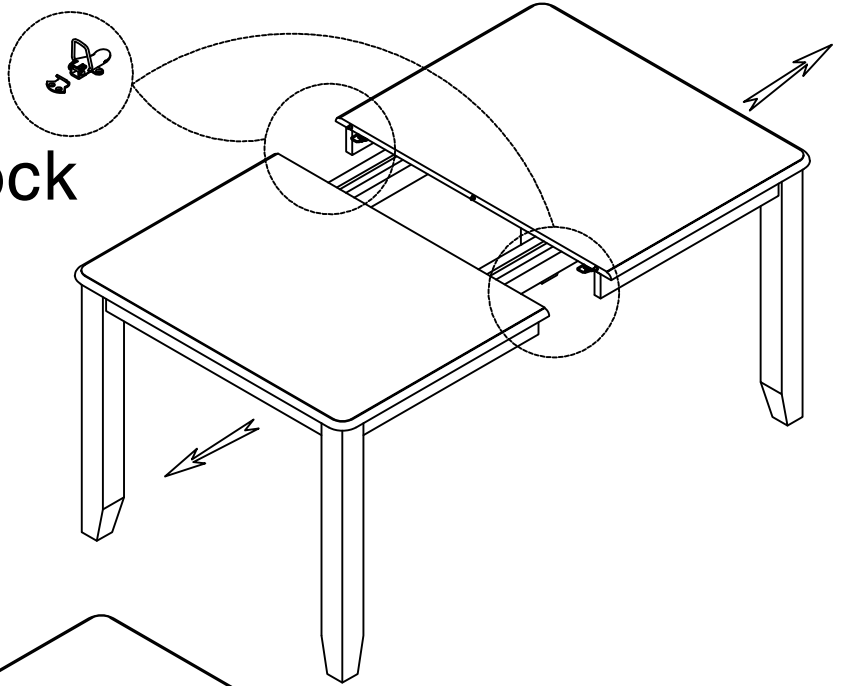


<b>A</b>	5/16x70		8PCS	<b>C</b>	5/16x13		8PCS
<b>B</b>	5/16x19		8PCS	<b>D</b>	4x58		1PC

# ASSEMBLY INSTRUCTIONS

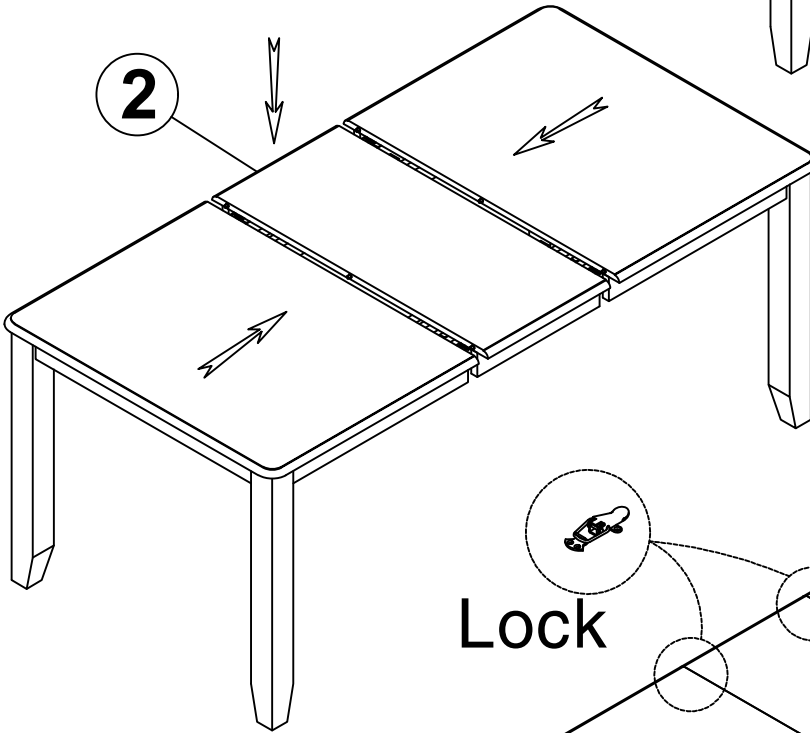
Step 2

Unlock



Step 3

2



Step 4

Lock

Lock

