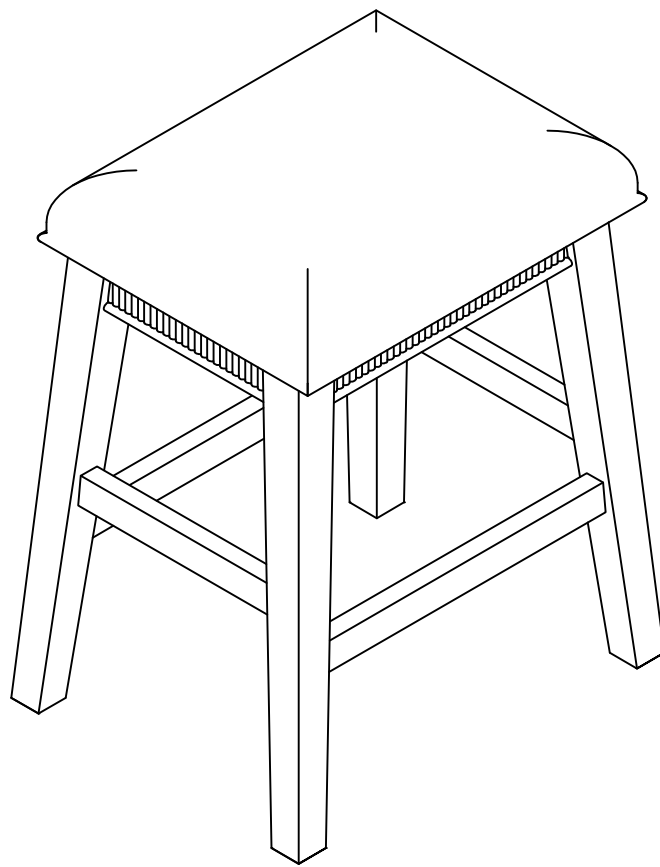


# ASSEMBLY INSTRUCTIONS

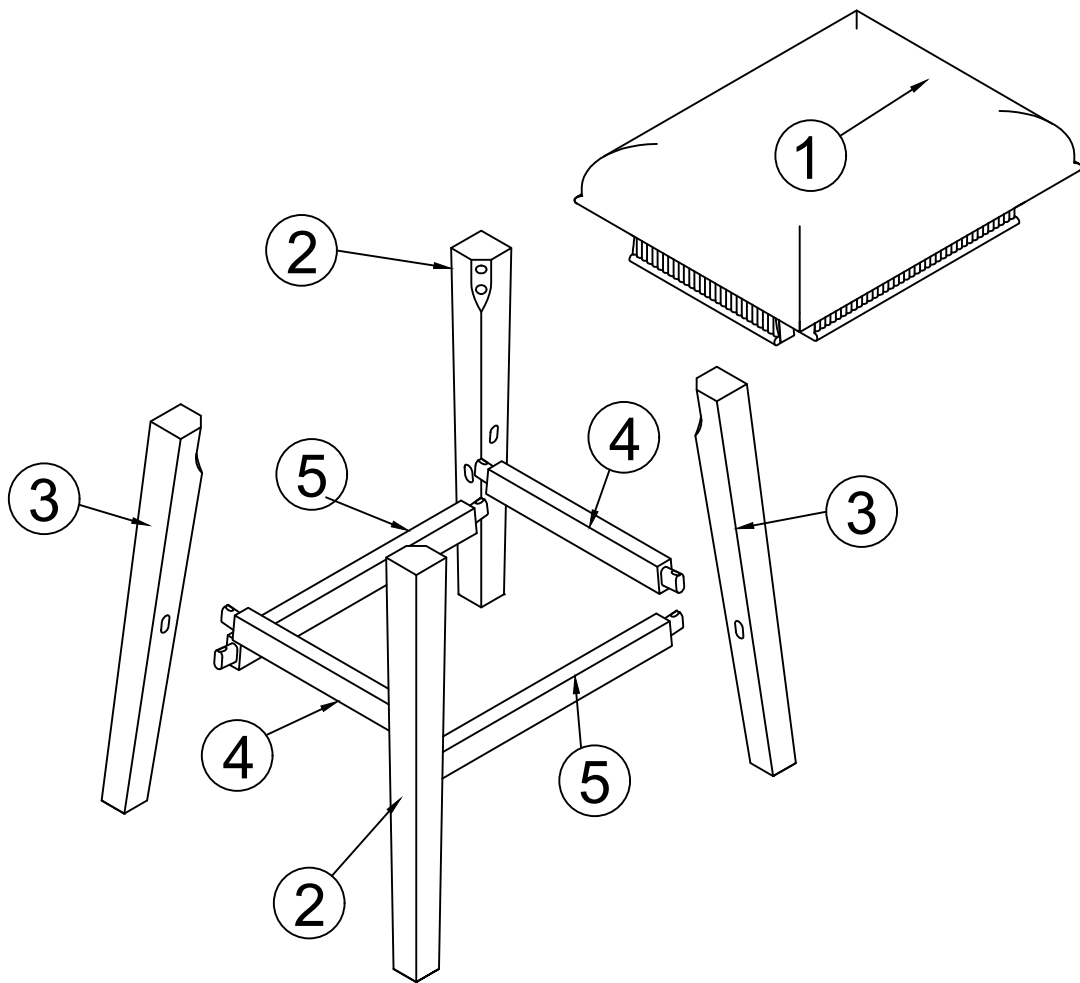
## DINING CHAIR



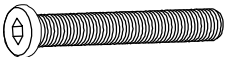




WF309907

**IMPORTANT NOTE :**

- ① PLACE ALL PARTS ON A CLEAN AND SMOOTH SURFACE SUCH AS A RUG OR CARPET TO AVOID THE PARTS FROM BEING SCRATCHED.
- ② BEFORE YOU BEGIN, KINDLY FOLLOW THE ASSEMBLY INSTRUCTIONS STEP BY STEP.
- ③ DO NOT TIGHTEN ALL SCREWS AND BOLTS UNTIL THE CHAIR IS FULLY SET-UP.



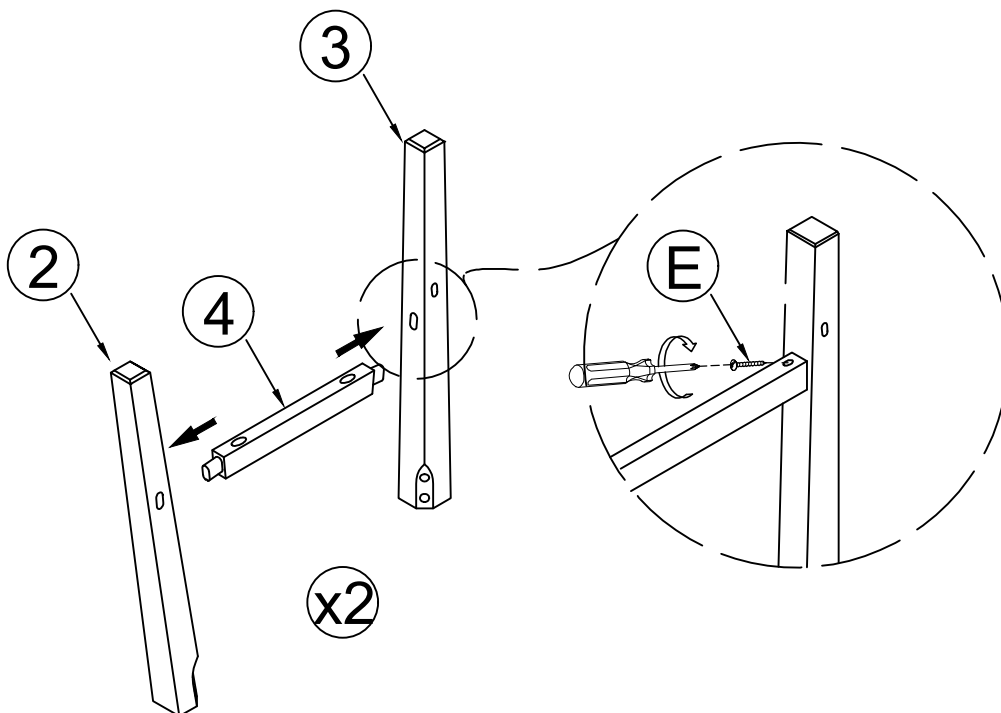
### Hardware List For One Chair


<p><b>A</b></p>  <p>Ø1/4" x 60mm</p>	<p><b>B</b></p>  <p>Ø1/4" x 11mm</p>
<p>BOLT (8PCS)</p>	<p>LOCK WASHER (8PCS)</p>
<p><b>C</b></p>  <p>Ø1/4" x 18mm</p>	<p><b>D</b></p>  <p>4MM</p>
<p>FLAT WASHER (8PCS)</p>	<p>ALLEN (1PC)</p>
<p><b>E</b></p>  <p>M4 x 45mm</p>	
<p>SCREW (8PCS)</p>	

# Part List For One Chair

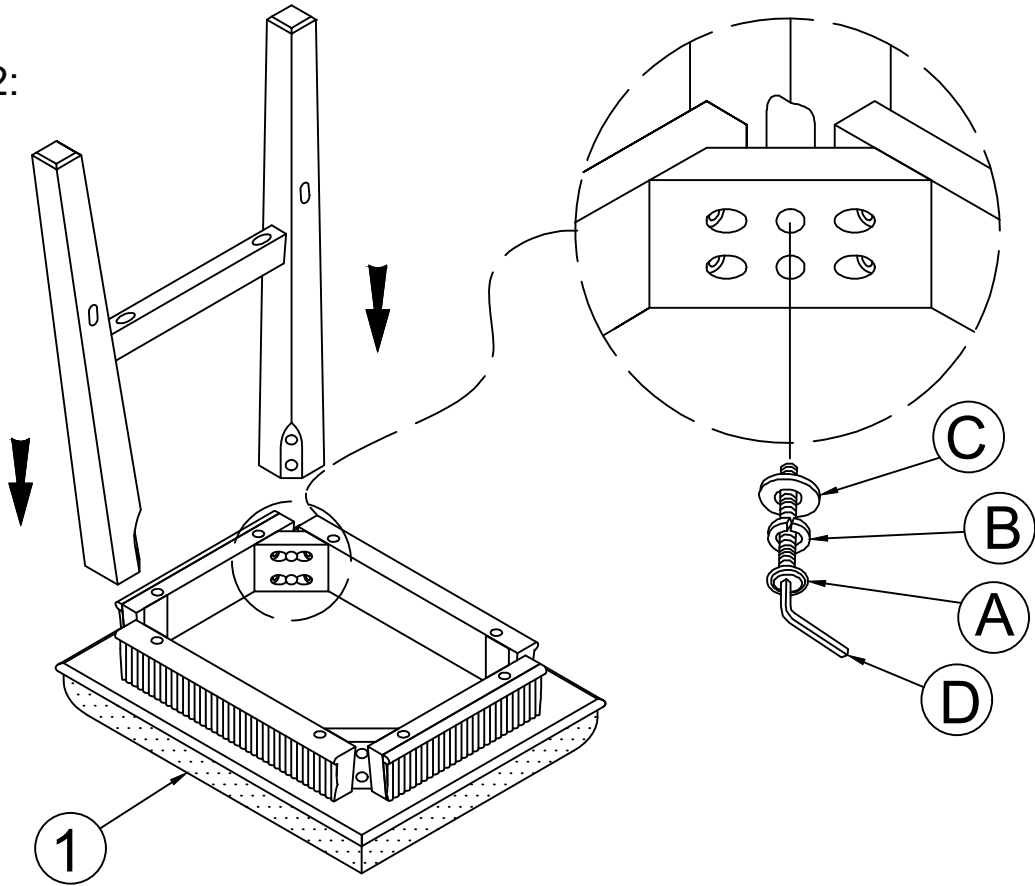
SEAT FRAME (1PC)	LEGS 1 (2PCS)	LEGS 2 (2PCS)
SHORT STRECHER(2PCS)	LONG STRECHER (2PCS)	





## STEP 1:



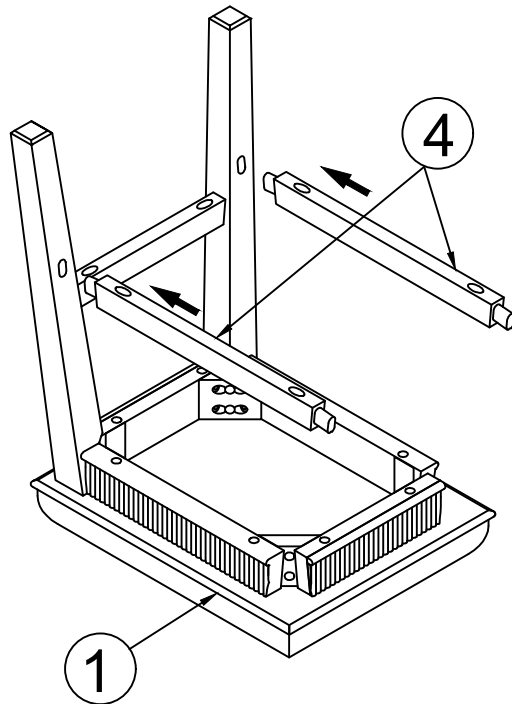
E	M4 x 45mm 	4pcs
---	---	------

STEP 2:

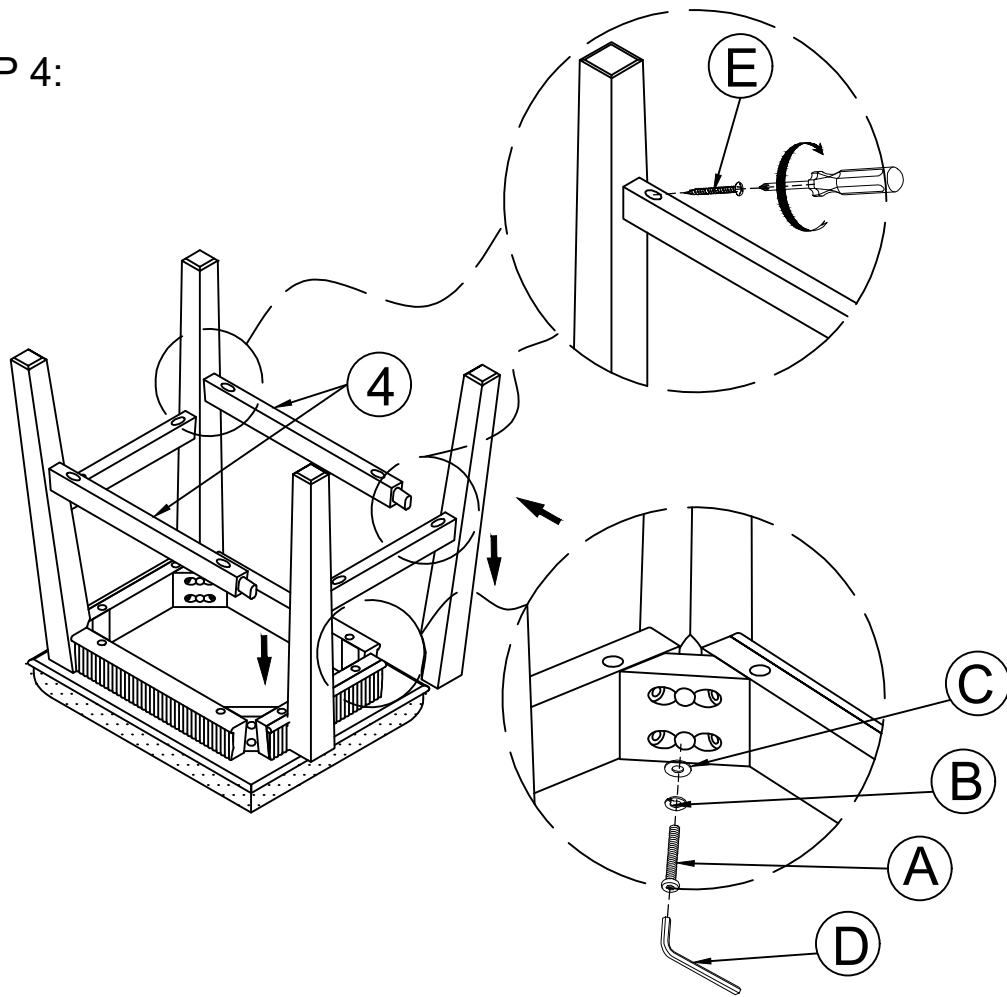







<b>A</b>	Ø1/4"x60mm		4pcs	<b>B</b>	Ø1/4"x11mm		4pcs
<b>C</b>	Ø1/4"x18mm		4pcs	<b>D</b>	4mm		1pc

STEP 3:



STEP 4:



<b>A</b>	Ø1/4"x60mm		4pcs	<b>B</b>	Ø1/4"x11mm		4pcs
<b>C</b>	Ø1/4"x18mm		4pcs	<b>D</b>	4mm		1pc
<b>E</b>	M4 x 45mm		4pcs				

STEP 5:

