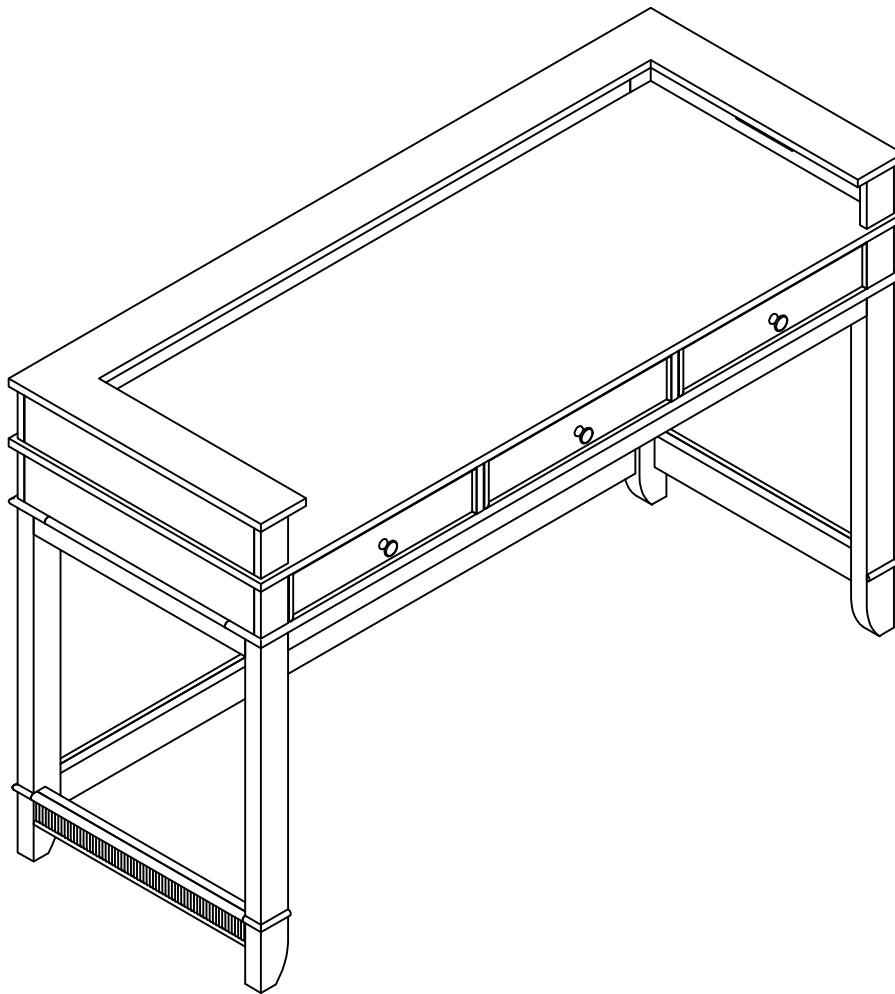


ASSEMBLY INSTRUCTIONS

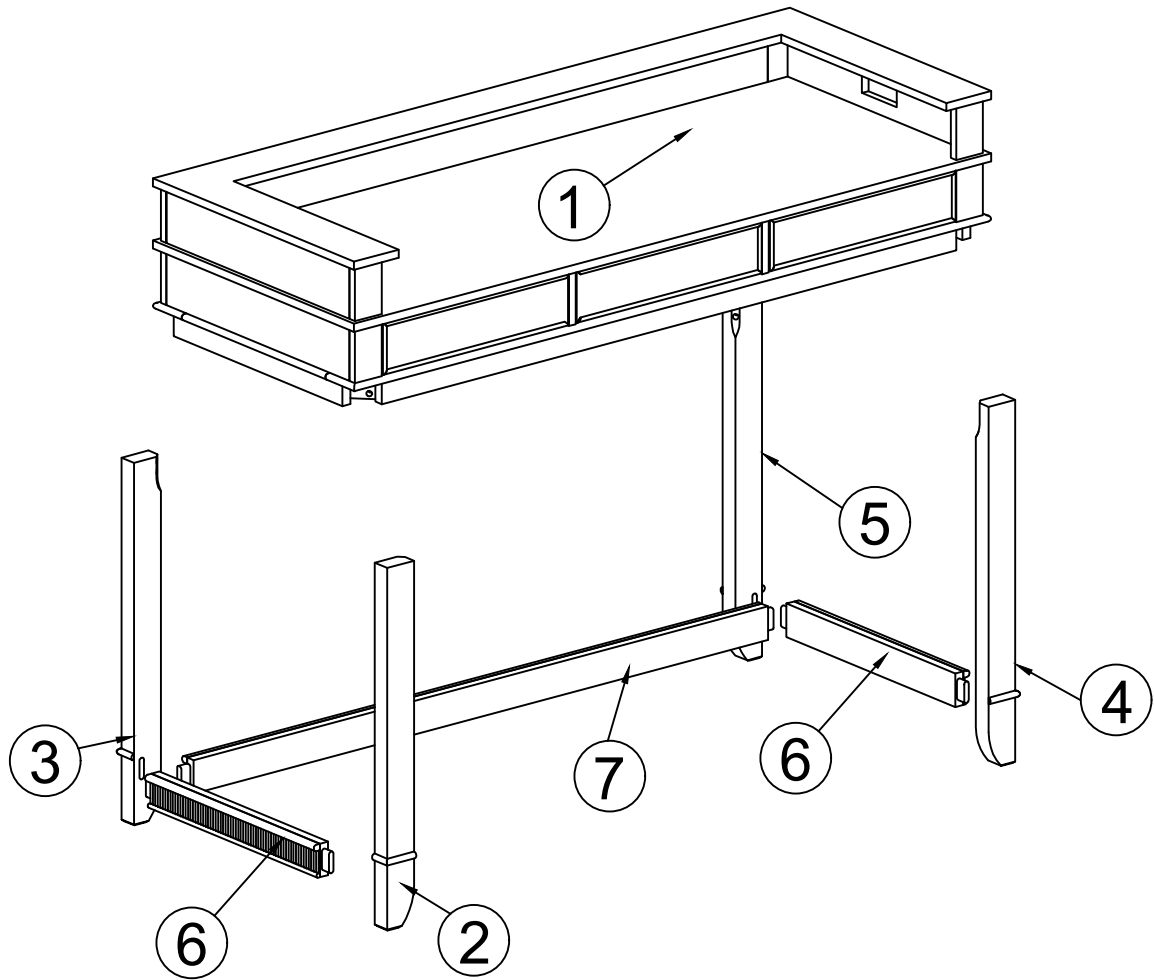
DINING TABLE



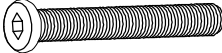




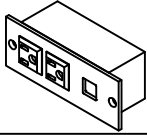
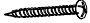


WF309906

IMPORTANT NOTE :

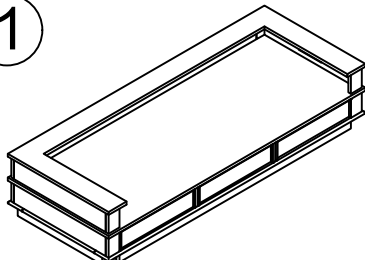
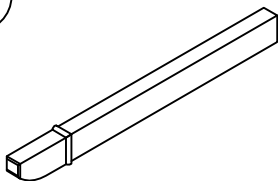
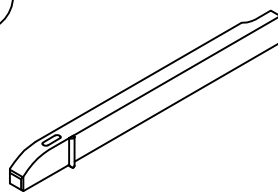
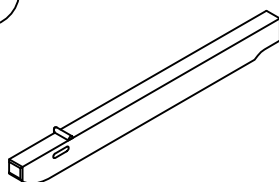
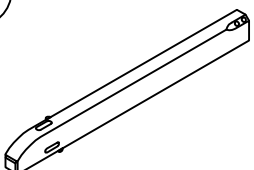
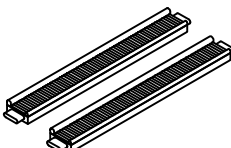
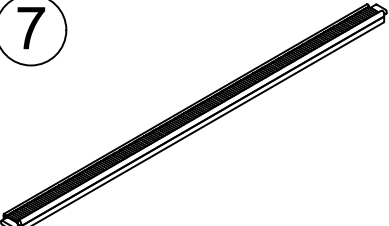
- ① PLACE ALL PARTS ON A CLEAN AND SMOOTH SURFACE SUCH AS A RUG OR CARPET TO AVOID THE PARTS FROM BEING SCRATCHED.
- ② BEFORE YOU BEGIN, KINDLY FOLLOW THE ASSEMBLY INSTRUCTIONS STEP BY STEP.
- ③ DO NOT TIGHTEN ALL SCREWS AND BOLTS UNTIL THE CHAIR IS FULLY SET-UP.



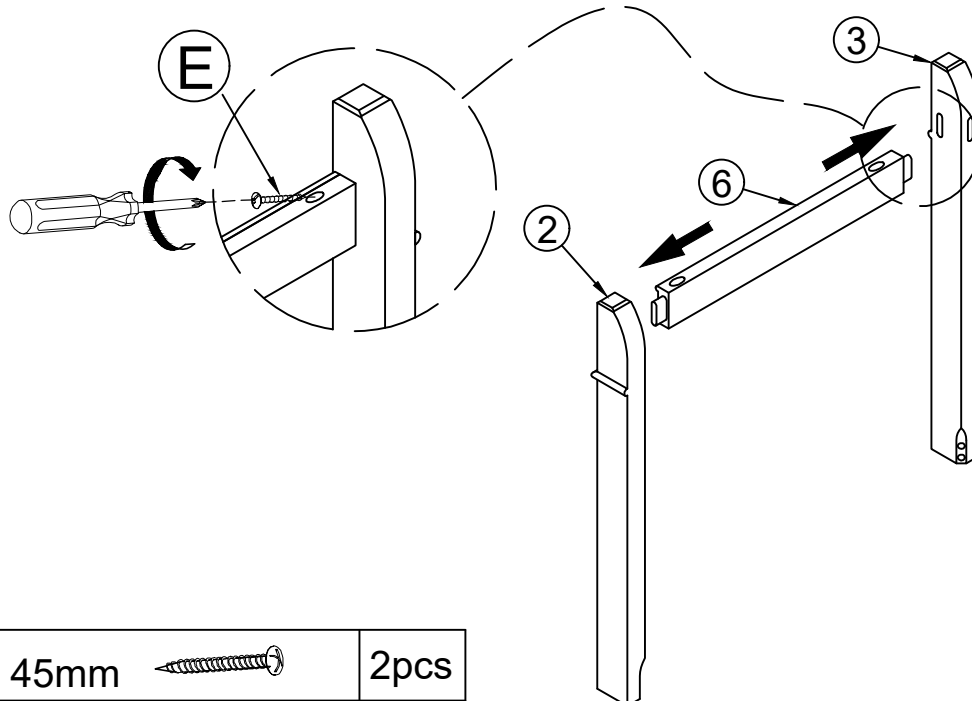
Hardware List For One Table

<p>(A)  Ø1/4" x 50mm</p>	<p>(B)  Ø1/4" x 11mm</p>
<p>BOLT (8PCS)</p>	<p>LOCK WASHER (8PCS)</p>
<p>(C)  Ø1/4" x 18mm</p>	<p>(D)  4MM</p>
<p>FLAT WASHER (8PCS)</p>	<p>ALLEN (1PC)</p>
<p>(E)  M4 x 45mm</p>	<p>(F) </p>
<p>SCREW (6PCS)</p>	<p>USB (1PC)</p>
<p>(G)  M4 x 15mm</p>	<p>(H)  KNOB (3PCS)</p>
<p>SCREW (2PCS)</p>	<p>(K)  M4x 35mm BOLT (3PCS)</p>

Part List For One Chair

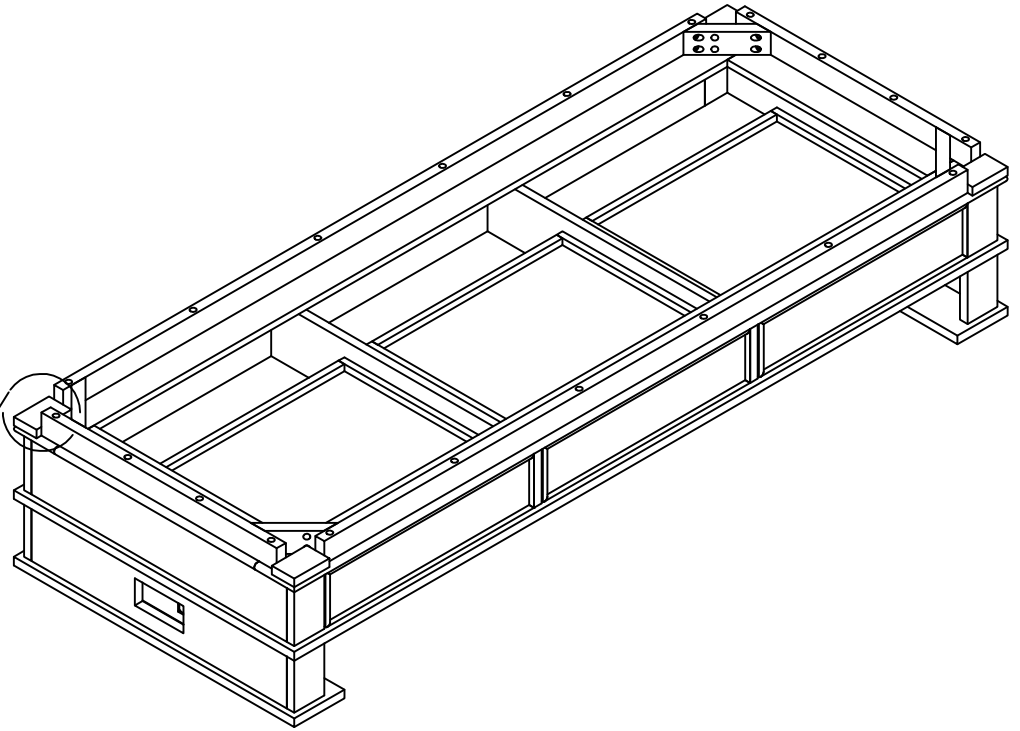
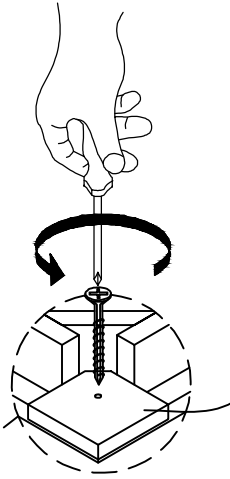
		
TABLE TOP (1PC)	LEG 1 (1PC)	LEG 2 (1PC)
		
LEG 3 (1PC)	LEG 4 (1PC)	SHORT STRECHER(2PCS)
		
LONG STRECHER (1PC)		

STEP 1:

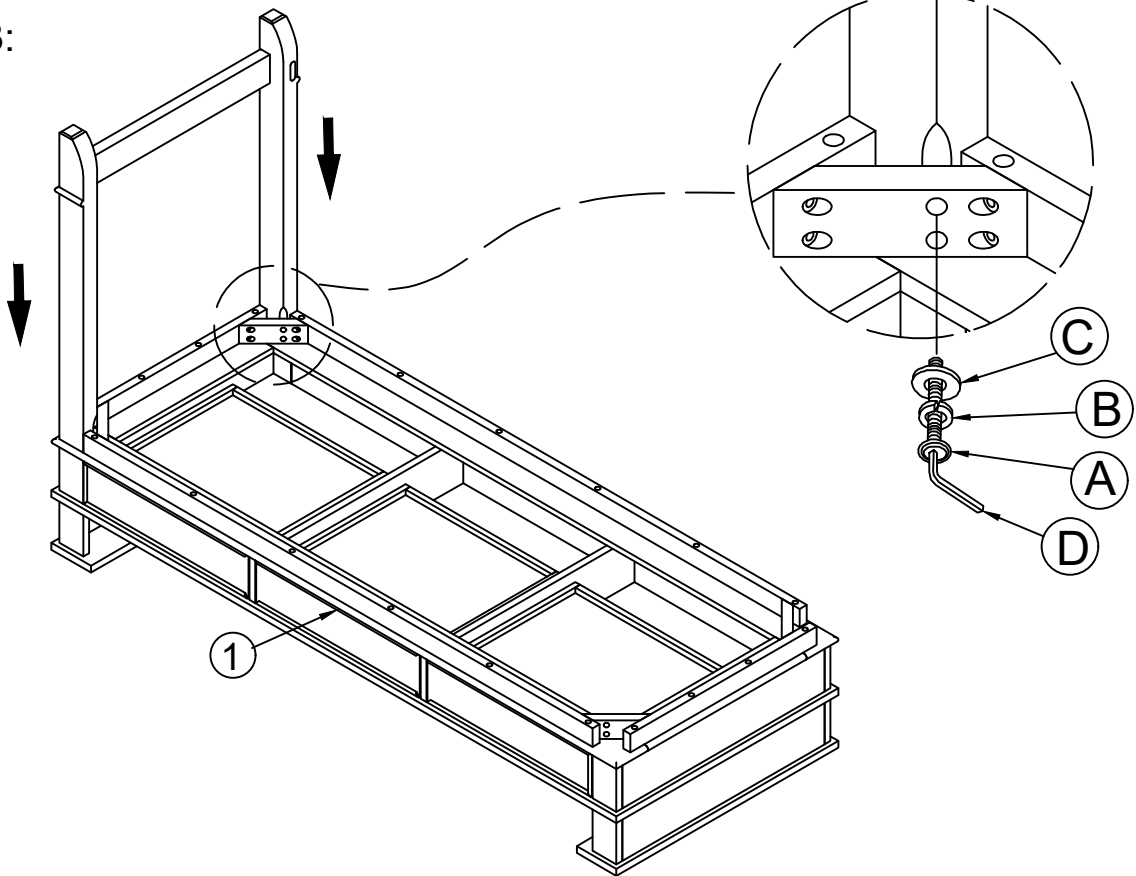






E	M4 x 45mm		2pcs
---	-----------	---	------

STEP 2:

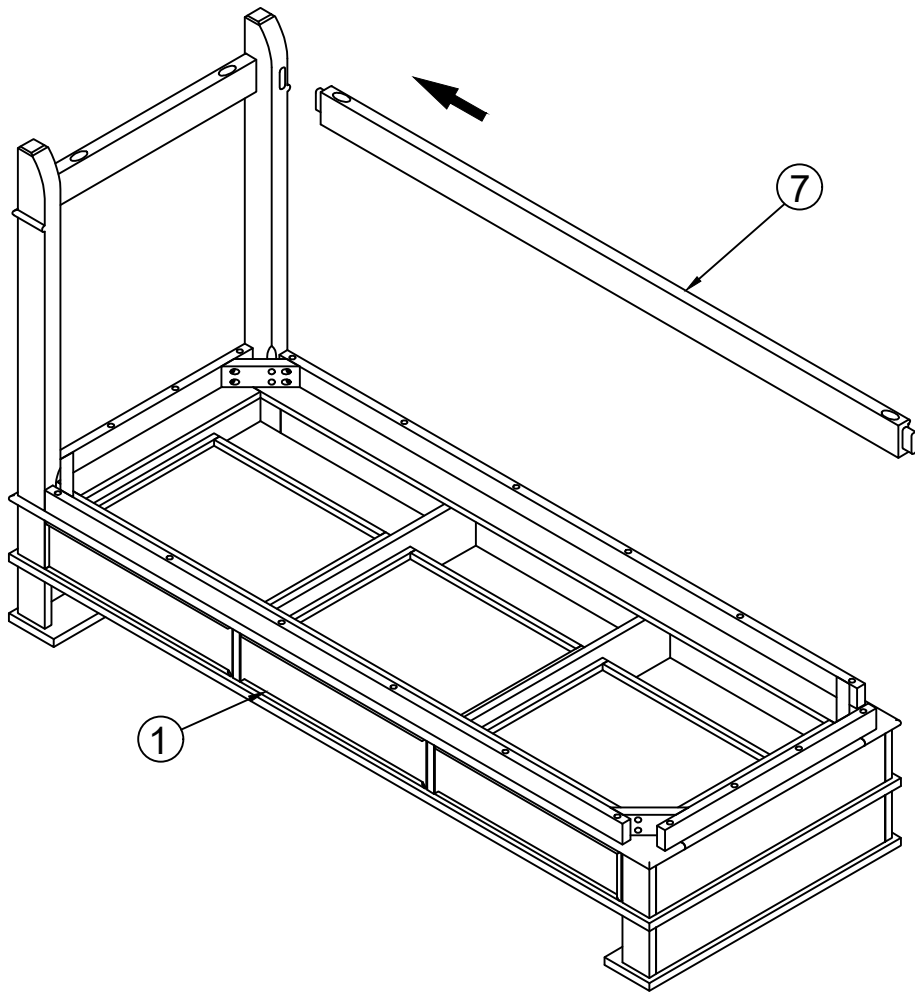


STEP 3:

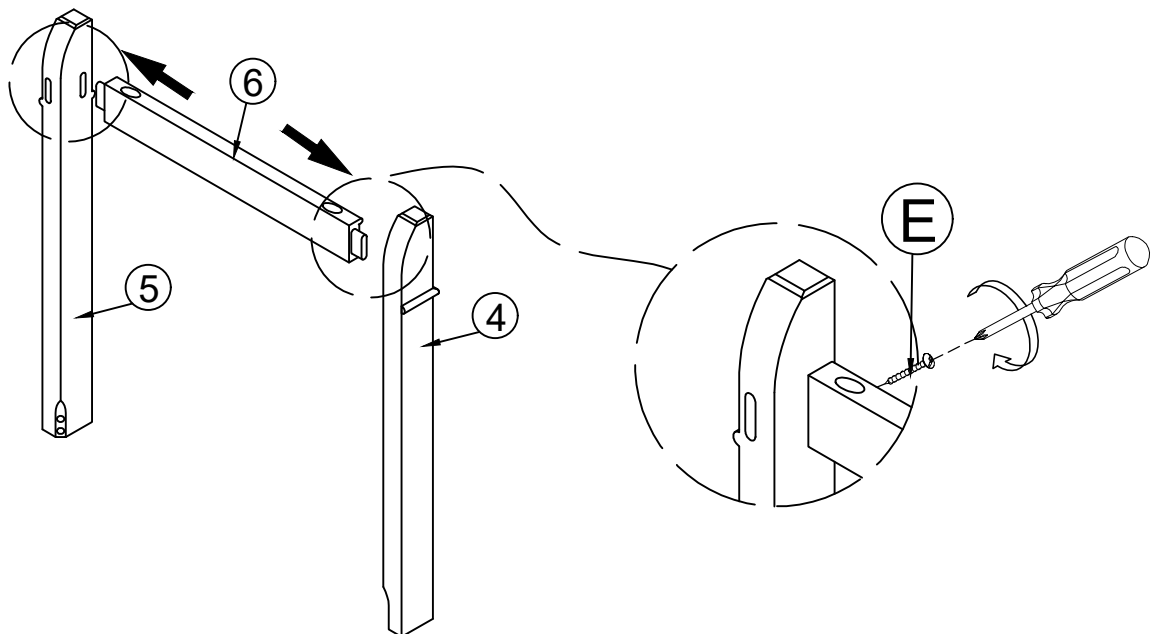


A	Ø1/4"x50mm		4pcs	B	Ø1/4"x11mm		4pcs
C	Ø1/4"x18mm		4pcs	D	4mm		1pc

STEP 4:



STEP 5:



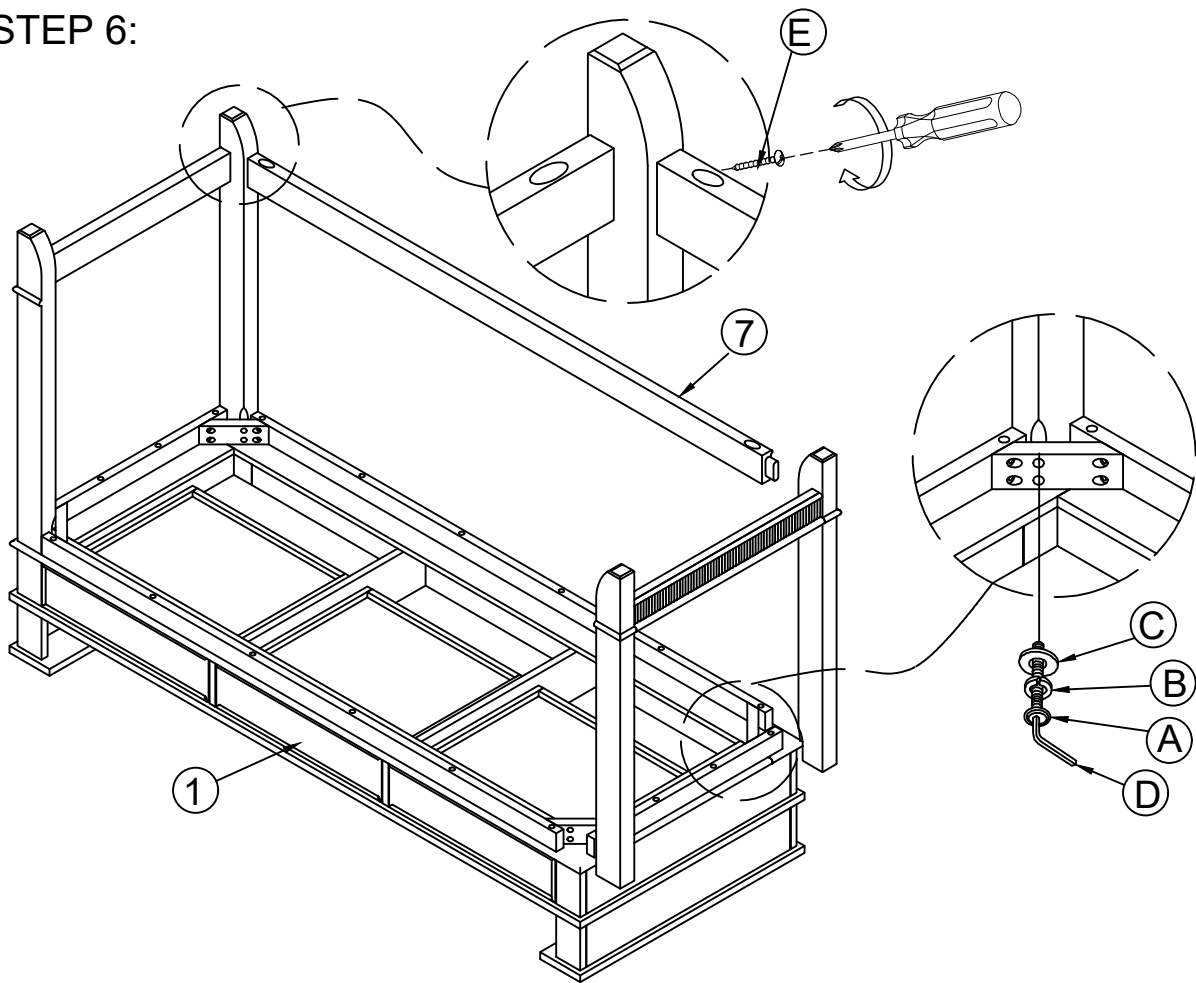
E






M4 x 45mm



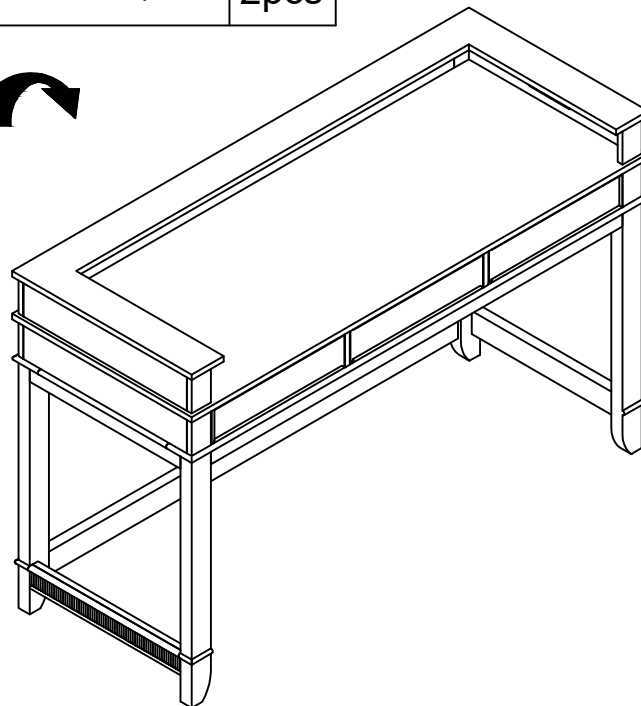
2pcs

STEP 6:

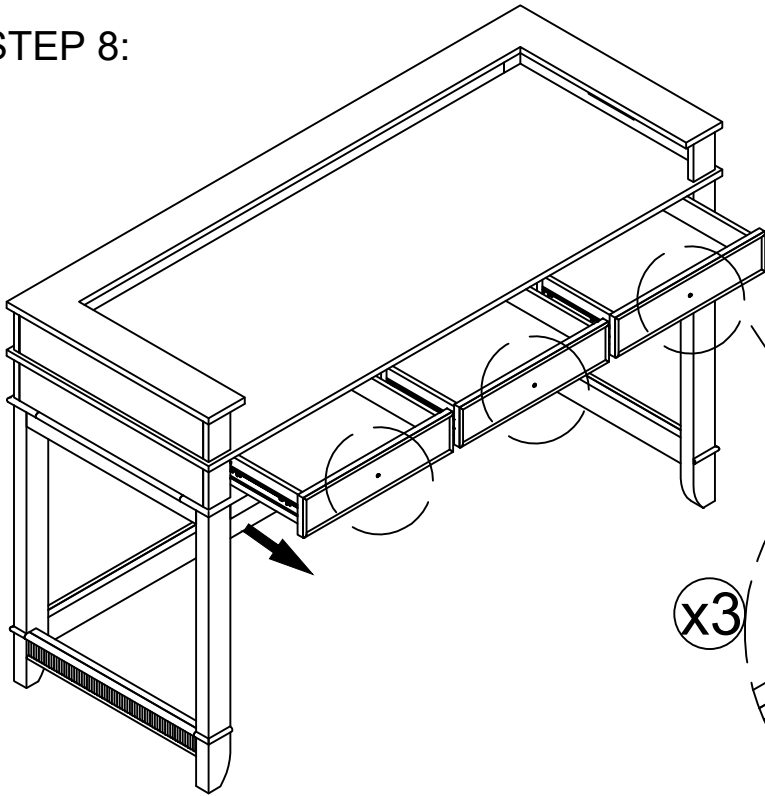


A	Ø1/4"x50mm		4pcs	B	Ø1/4"x11mm		4pcs
C	Ø1/4"x18mm		4pcs	D	4mm		1pc
E	M4 x 45mm		2pcs				

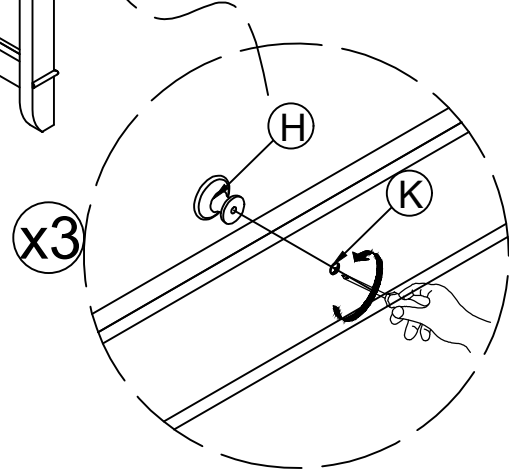
STEP 7:



STEP 8:



Note: Rotate counter-clockwise



H

KNOB



3pcs

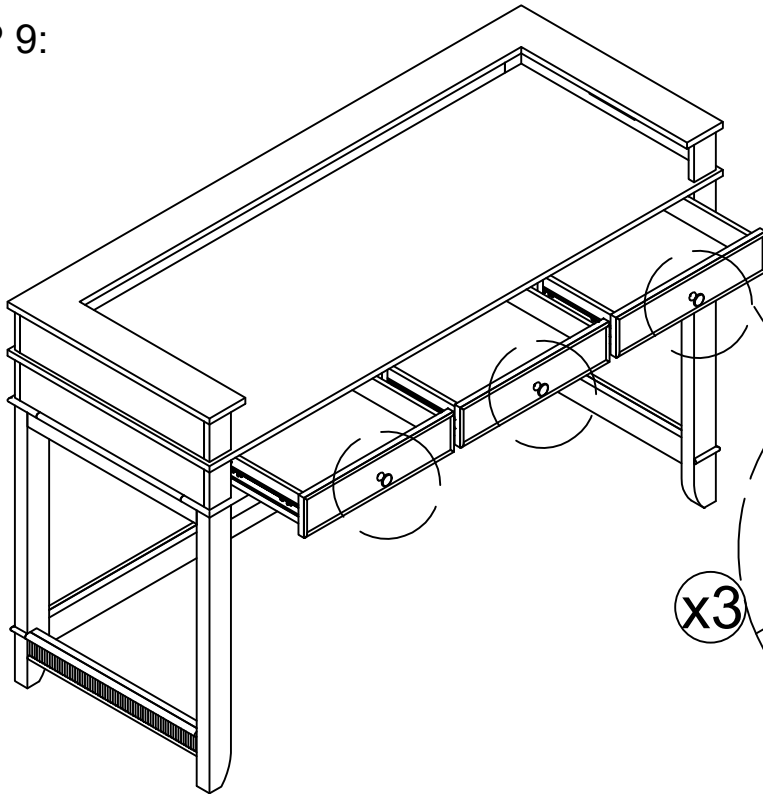
K

M4x 35mm

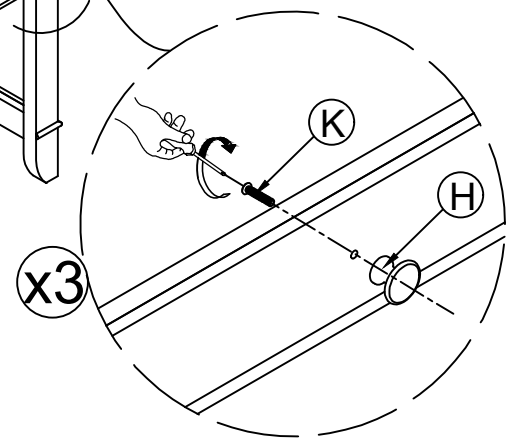


3pcs

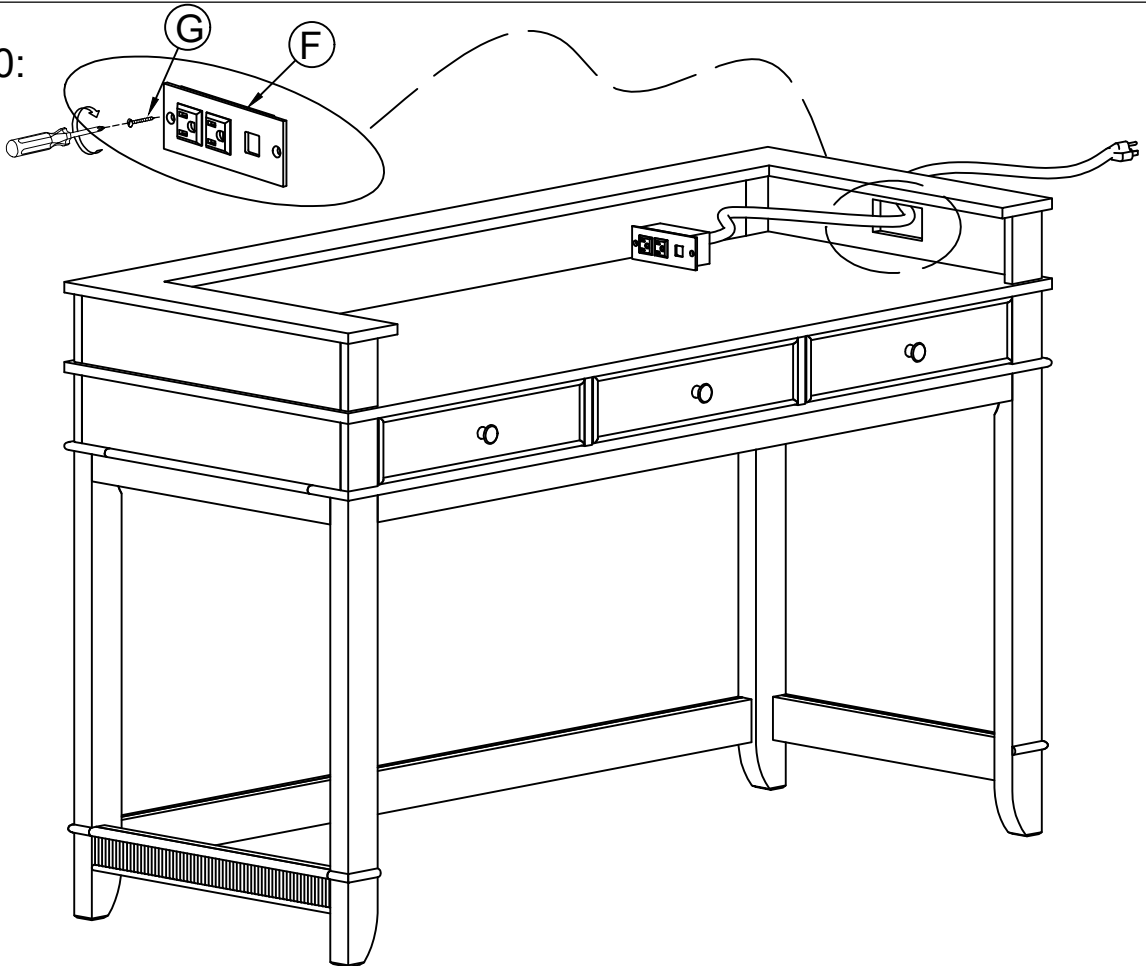
STEP 9:



Note: Rotate clockwise



STEP 10:



F

USB



1pc

G

M4 x 15mm



2pcs

STEP 11:

