

ASSEMBLY INSTRUCTIONS

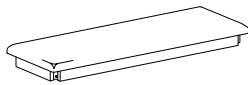
ITEM NO : WF308660AAK/WF308660AAD

Important note:

1. Place all wooden parts on a clean and smooth surface such as a rug or carpet to avoid scratching the parts.
2. Kindly follow the assembly instructions step by step.
3. Do not tighten all screws and bolts until the table is fully assembled.

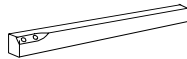
PARTS LIST

A SEAT FRAME



1pc

B LEG



4pc

HARDWARE LIST

1 JCBC Bolt

M6X60mm



8pcs

2 Spring Washer



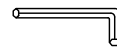
8 pcs

3 Flat Washer



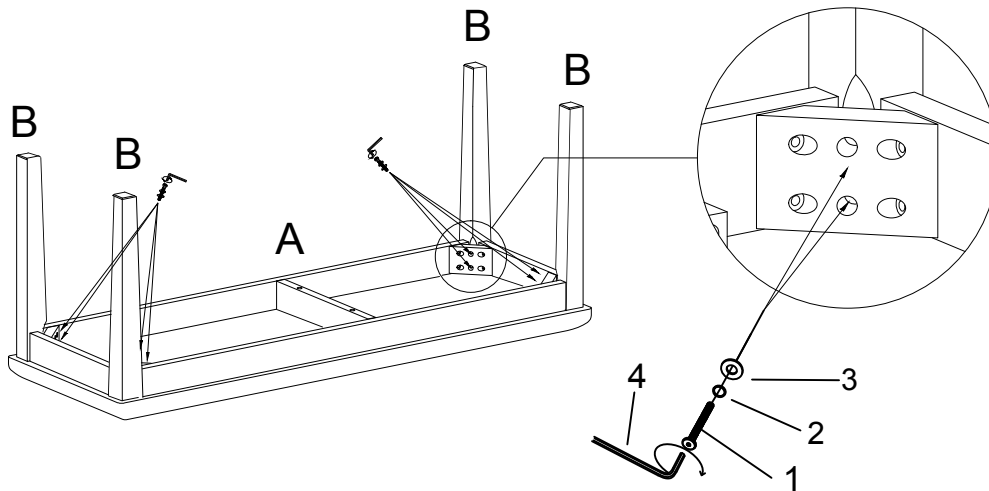
8 pcs

4 Allen Key



1pc

STEP 1



COMPLETE

