

# ASSEMBLY INSTRUCTIONS

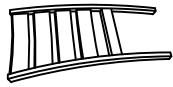
ITEM NO : WF308660AAK/WF308660AAD

### Important note:

1. Place all wooden parts on a clean and smooth surface such as a rug or carpet to avoid scratching the parts.
2. Kindly follow the assembly instructions step by step.
3. Do not tighten all screws and bolts until the table is fully assembled.

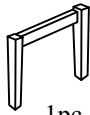
### PARTS LIST

**A** Chair Back



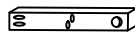
1pc

**B** Leg



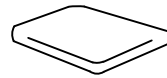
1pc

**C** Side Panel



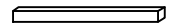
2pcs

**D** Seat



1pc

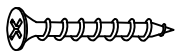
**E** Stretcher



2pcs

### HARDWARE LIST

**1** CSK Screw  
M4X32mm



7pcs

**2** JCBC Bolt  
M6X50mm



6pcs

**3** Spring Washer



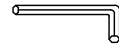
6pcs

**4** Wood Dowel



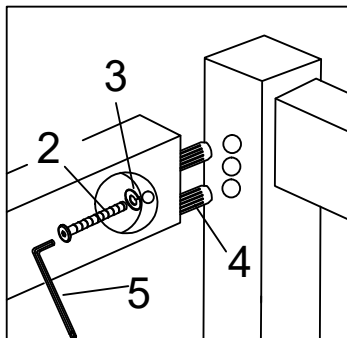
4pcs

**5** Allen Key

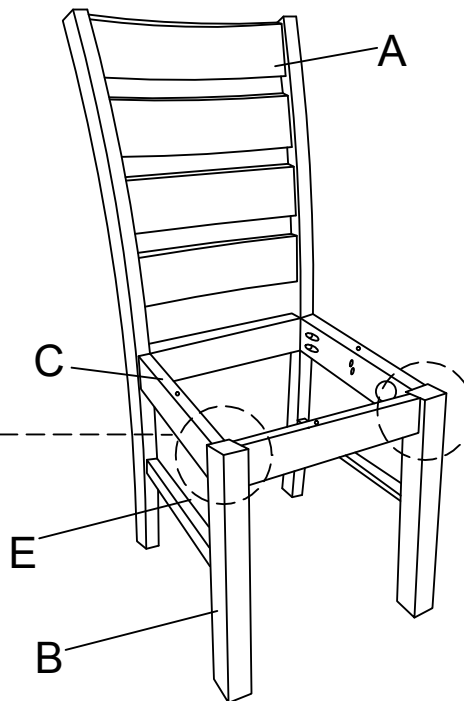


1pc

### STEP 1



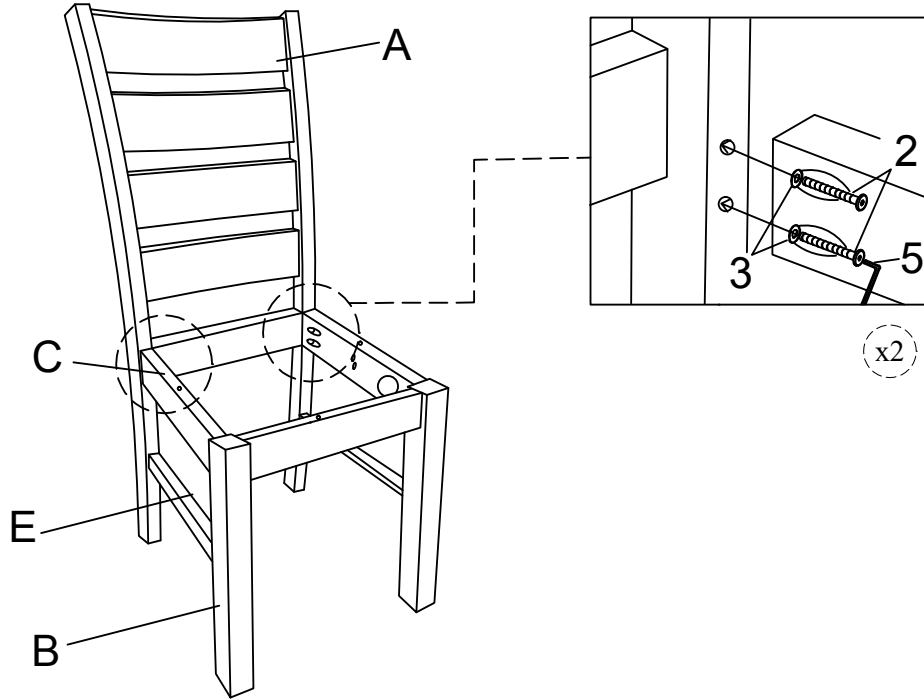
x2



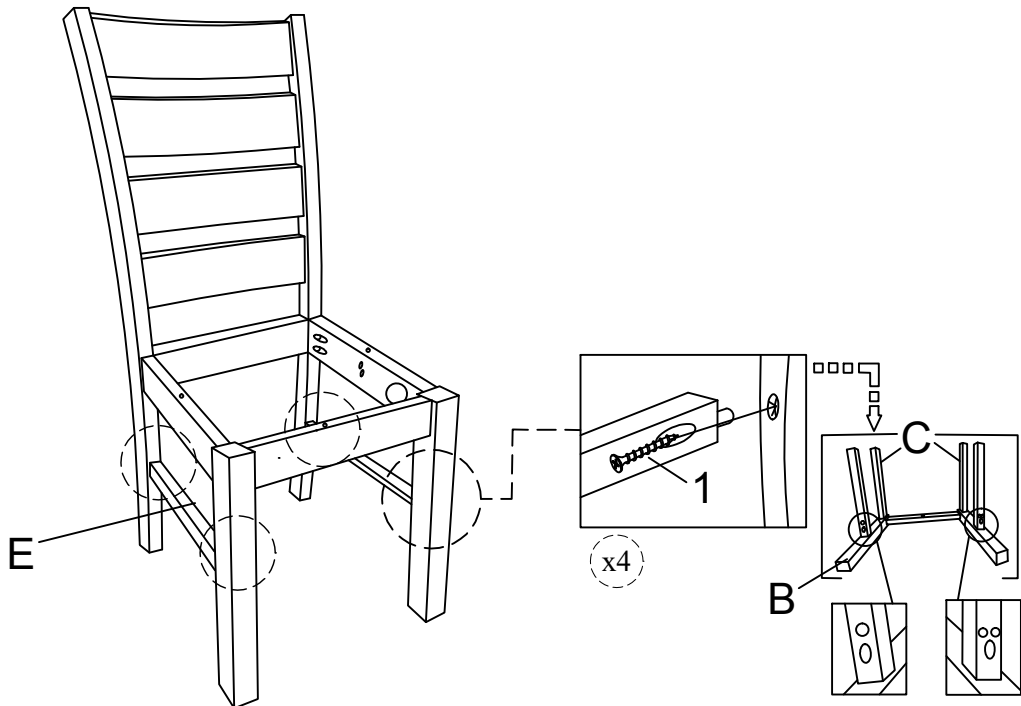
# ASSEMBLY INSTRUCTIONS

ITEM NO : WF308660AAK/WF308660AAD

STEP 2



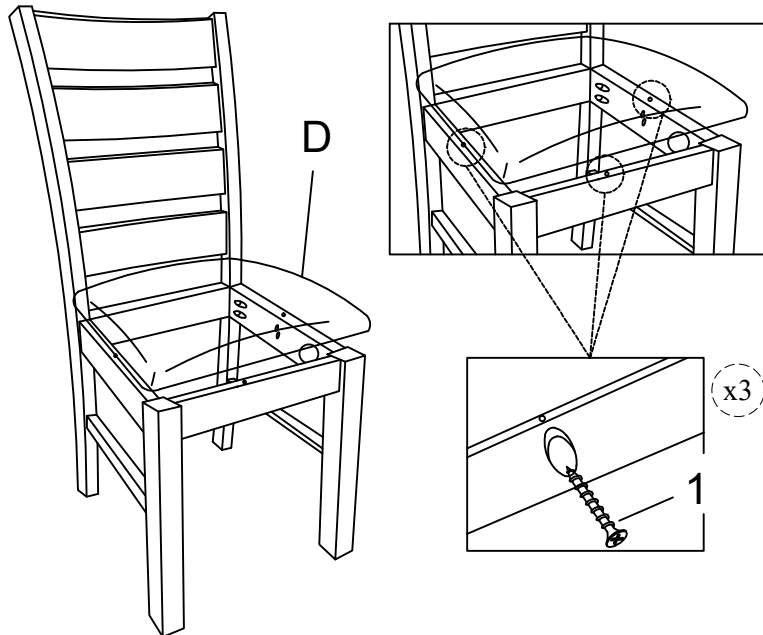
STEP 3



# ASSEMBLY INSTRUCTIONS

ITEM NO : WF308660AAK/WF308660AAD

## STEP 4



## COMPLETE

