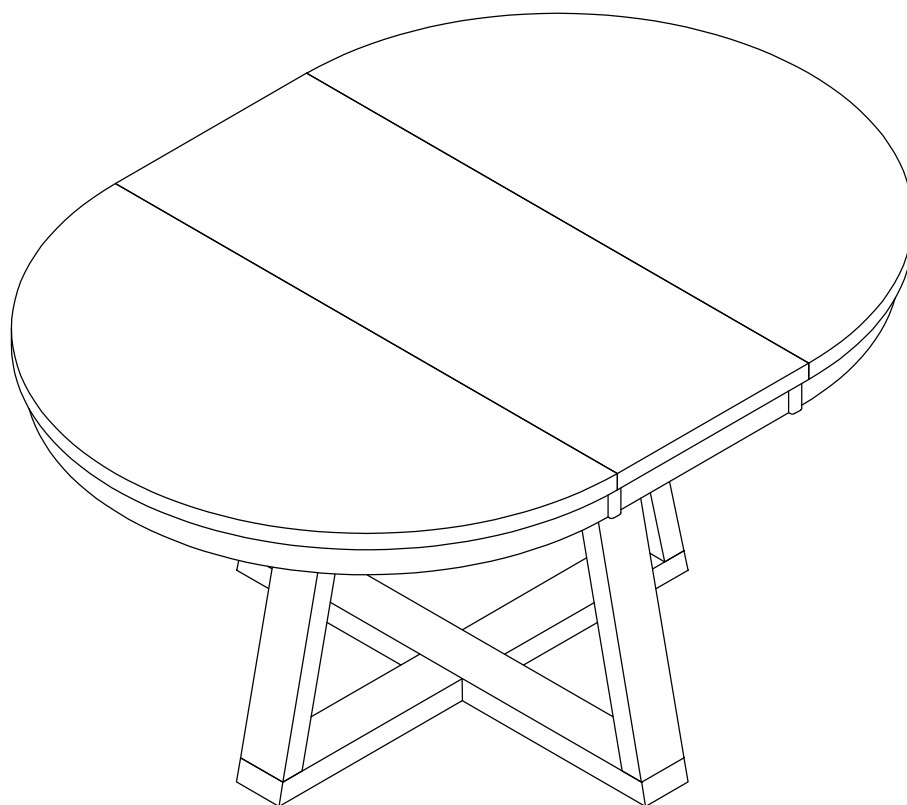


ASSEMBLY INSTRUCCIONES

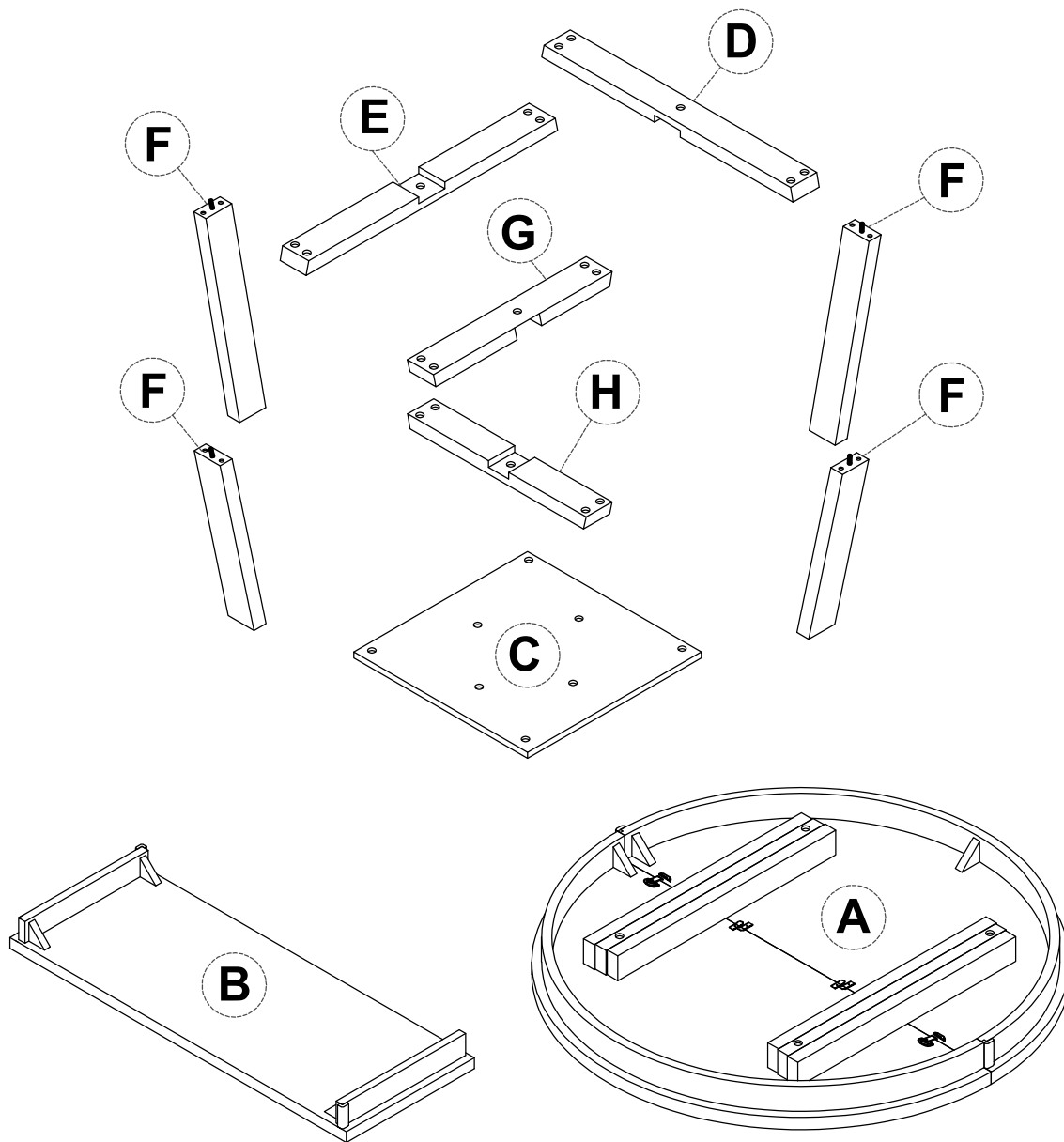
ITEM NOTE : WF309738

DINING TABLE



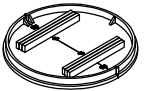
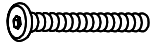
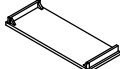
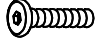

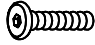








IMPORTANT NOTE:

- ① PLACE ALL PARTS ON A CLEAN AND SMOOTH SURFACE SUCH AS A RUG OR CARPET TO AVOID THE PARTS FROM BEING SCRATCHED.
- ② BEFORE YOU BEGIN, KINDLY FOLLOW THE ASSEMBLY INSTRUCTIONS STEP BY STEP.
- ③ DO NOT TIGHTEN ALL SCREWS AND BOLTS UNTIL THE TABLE IS FULLY SET-UP

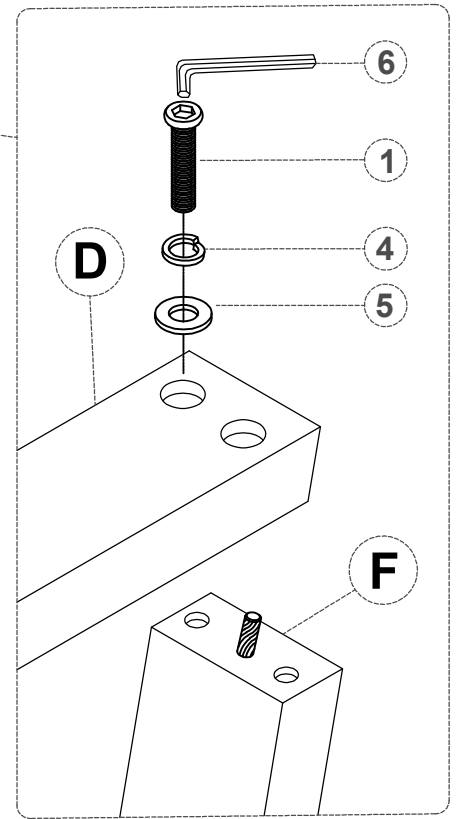
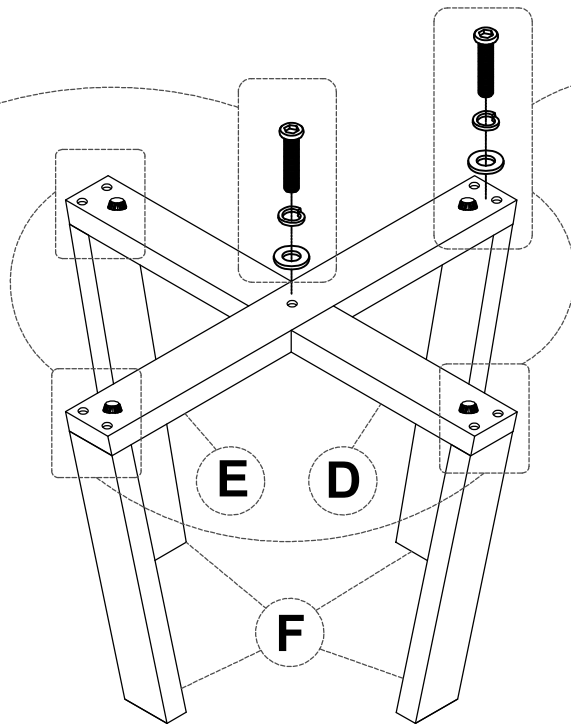
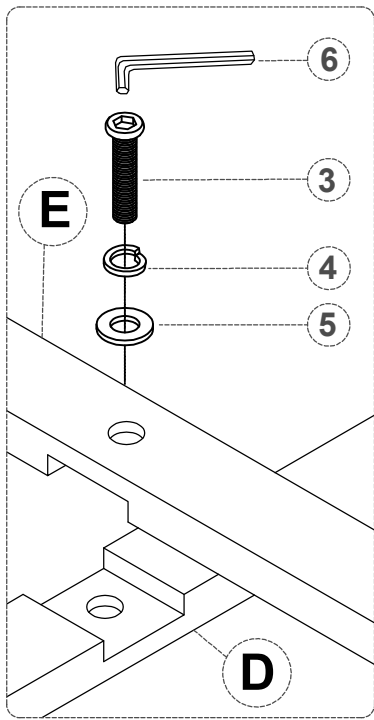


Part List For One

Hardware List For One

No	Parts Desc.	Q'ty	No	Hardware Desc.	Q'ty
A	TOP PANEL 	1pcs	1	Bolts 5/16"* 60mm 	16pcs
B	LFAF 	1pcs	2	Bolts 5/16"* 40mm 	8pcs
C	MOUNTING PLATE 	1pcs	3	Bolts 5/16"* 30mm 	2pcs
D	BOTTOM LEGS 	1pcs	4	Spring Washer 5/16"* 13mm x 1.5mm 	26pcs
E	BOTTOM LEGS 	1pcs	5	Flat Washer 5/16"* 16mm x 1.5mm 	26pcs
F	LEGS 	4pcs	6	Allen Key 4mm*60mm 	1pcs
G	MIDDLE LEGS 	1pcs			
H	MIDDLE LEGS 	1pcs			

STEP 1



Bolts
5/16 x 30mm



③ x 1

Spring Washer
5/16 x 13mm x 1.5mm



④ x 1

Flat Washer
5/16 x 16mm x 1.5mm



⑤ x 1

Allen Key
4mm x 60mm



⑥ x 1

Bolts
5/16 x 60mm



① x 8

Spring Washer
5/16 x 13mm x 1.5mm



④ x 8

Flat Washer
5/16 x 16mm x 1.5mm



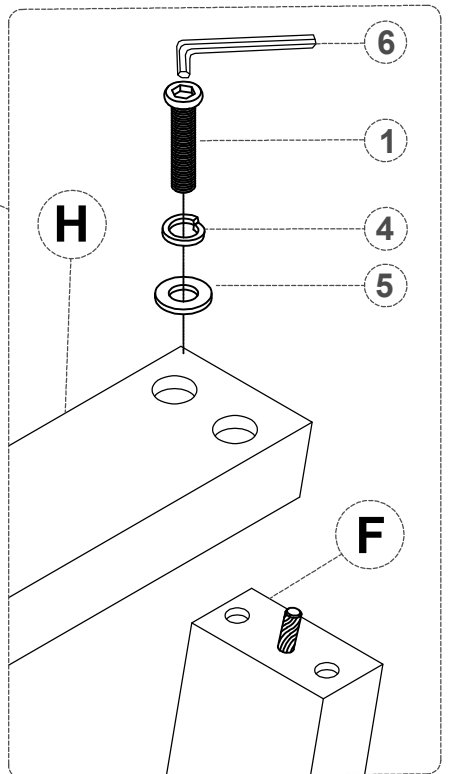
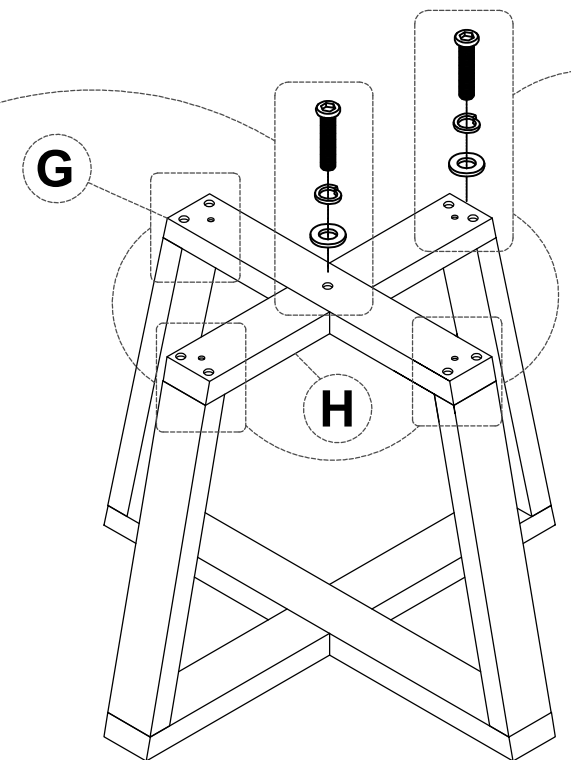
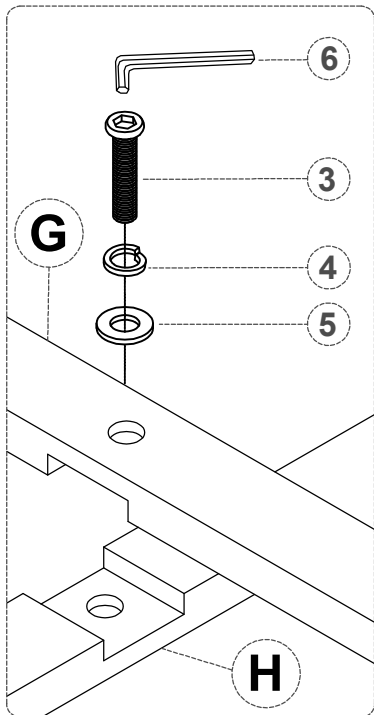
⑤ x 8

Allen Key
4mm x 60mm



⑥ x 1

STEP 2



Bolts
5/16 x 30mm



③ x 1

Spring Washer
5/16 x 13mm x 1.5mm



④ x 1

Flat Washer
5/16 x 16mm x 1.5mm



⑤ x 1

Allen Key
4mm x 60mm



⑥ x 1

Bolts
5/16 x 60mm



① x 8

Spring Washer
5/16 x 13mm x 1.5mm



④ x 8

Flat Washer
5/16 x 16mm x 1.5mm



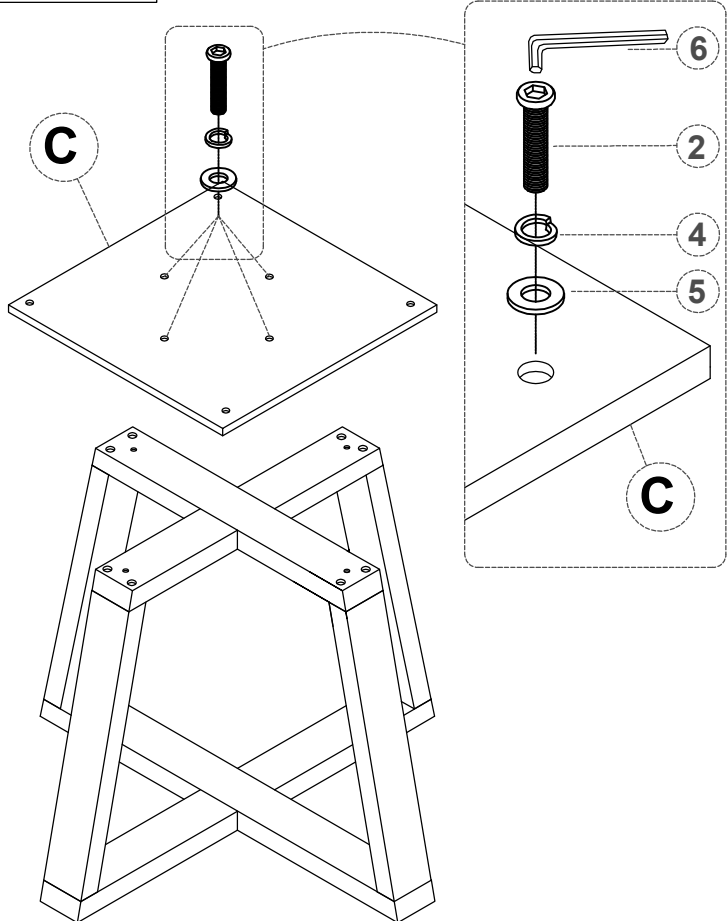
⑤ x 8





Allen Key
4mm x 60mm



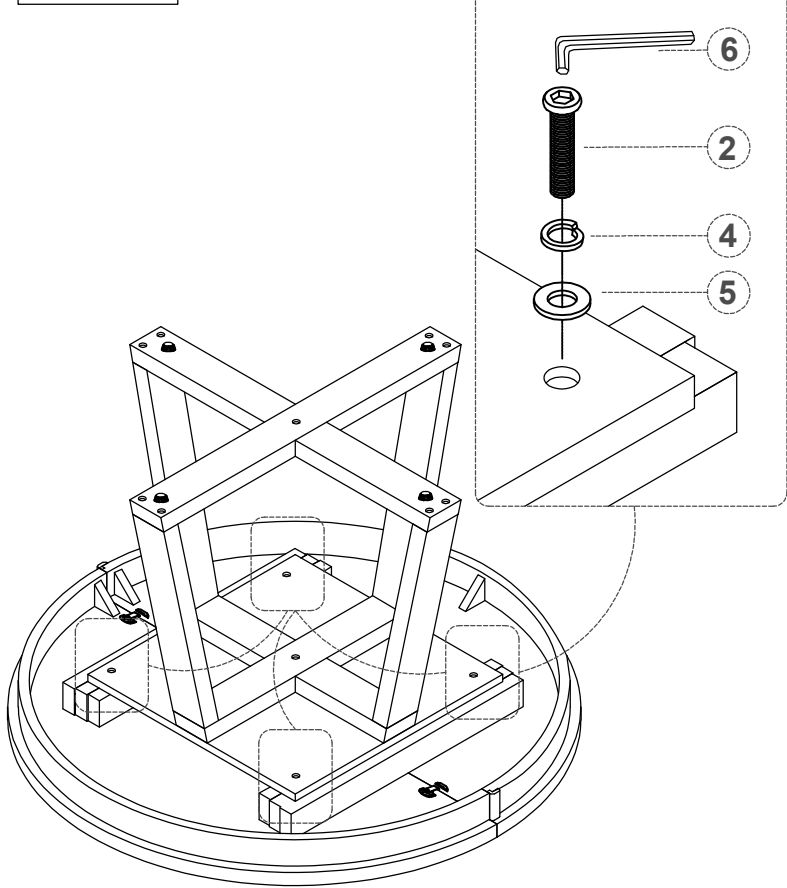
⑥ x 1

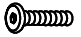



STEP 3



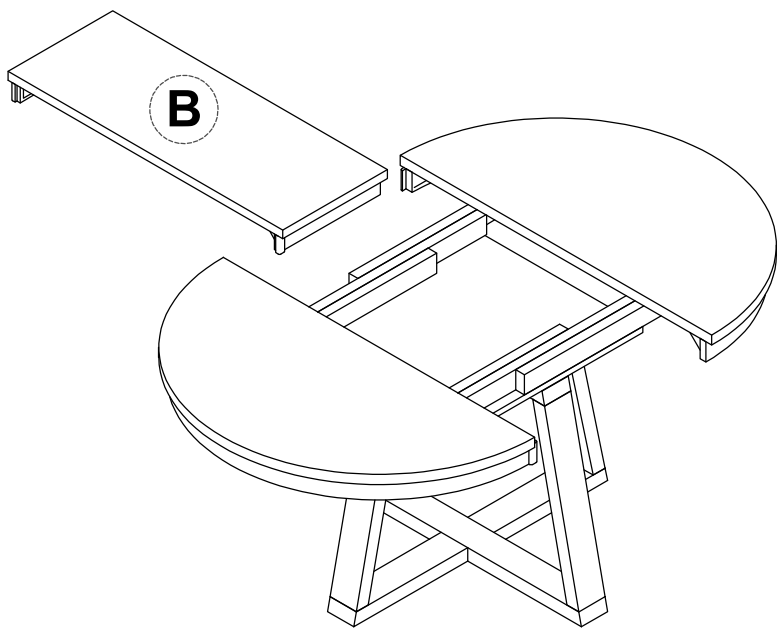
Bolts 5/16 x 40mm  ② x 4	Spring Washer 5/16 x 13mm x 1.5mm  ④ x 4	Flat Washer 5/16 x 16mm x 1.5mm  ⑤ x 4	Allen Key 4mm x 60mm  ⑥ x 1
--	---	---	--

STEP 4



Bolts 5/16 x 40mm  ② x 4	Spring Washer 5/16 x 13mm x 1.5mm  ④ x 4	Flat Washer 5/16 x 16mm x 1.5mm  ⑤ x 4	Allen Key 4mm x 60mm  ⑥ x 1
---	---	---	--

STEP 5



FINISH

