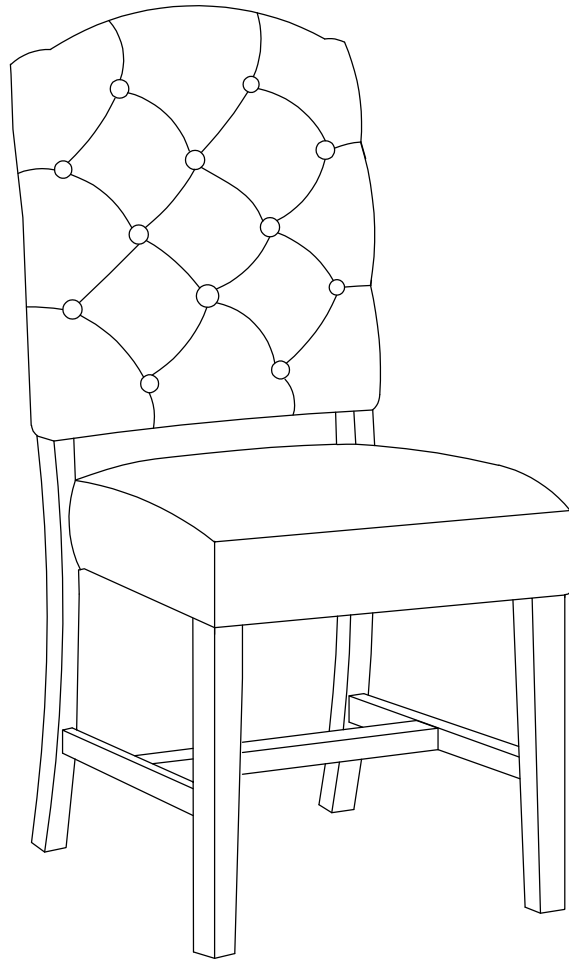


ASSEMBLY INSTRUCCIONES

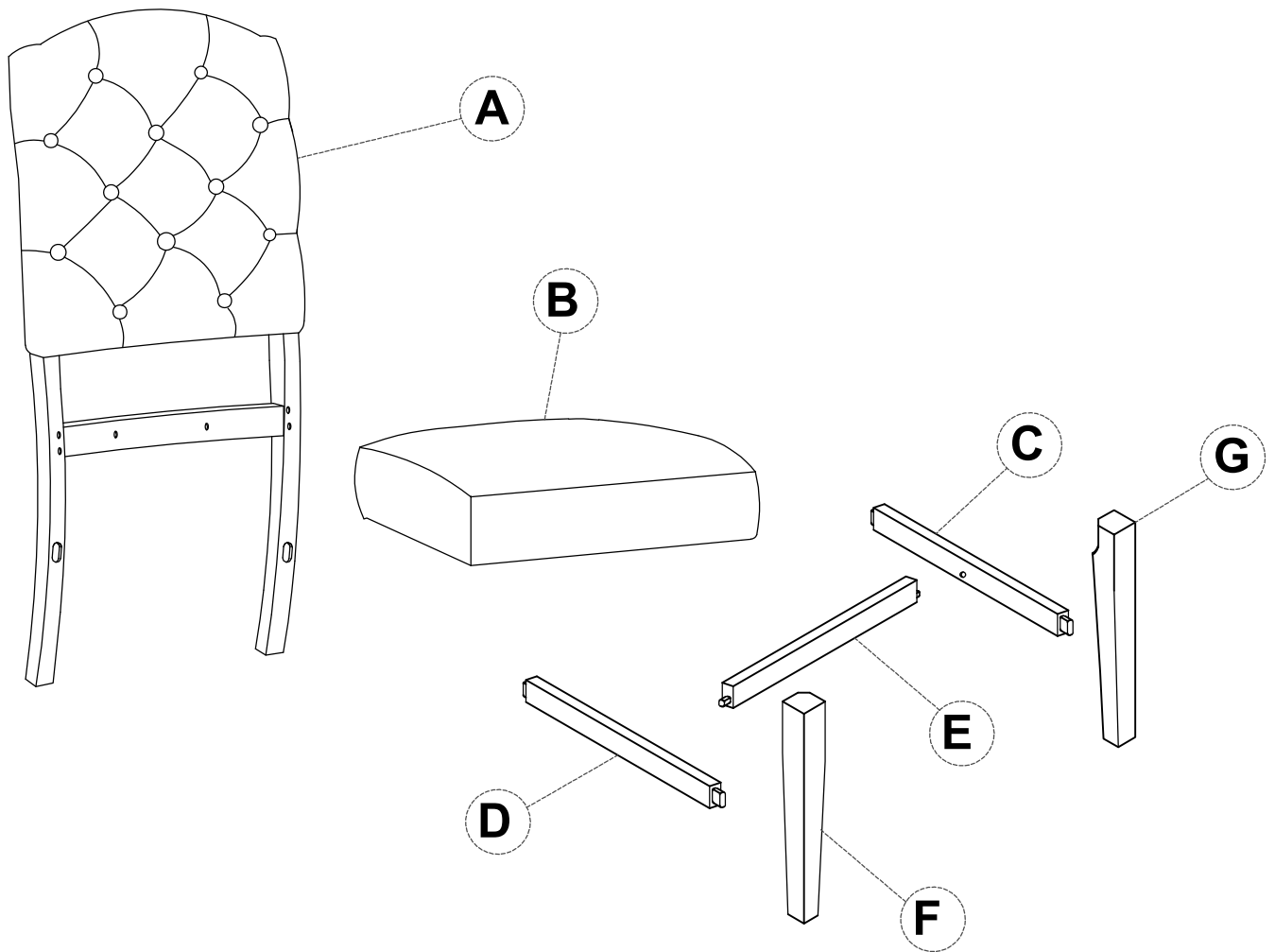
ITEM NOTE : WF309739

DINING CHAIR



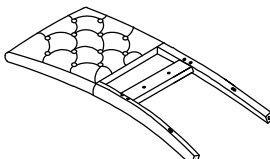

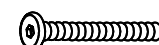








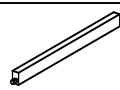


IMPORTANT NOTE:

- ① PLACE ALL PARTS ON A CLEAN AND SMOOTH SURFACE SUCH AS A RUG OR CARPET TO AVOID THE PARTS FROM BEING SCRATCHED.
- ② BEFORE YOU BEGIN, KINDLY FOLLOW THE ASSEMBLY INSTRUCTIONS STEP BY STEP.
- ③ DO NOT TIGHEN ALL SCREWS AND BOLTS UNTIL THE CHAIR IS FULLY STEP-UP

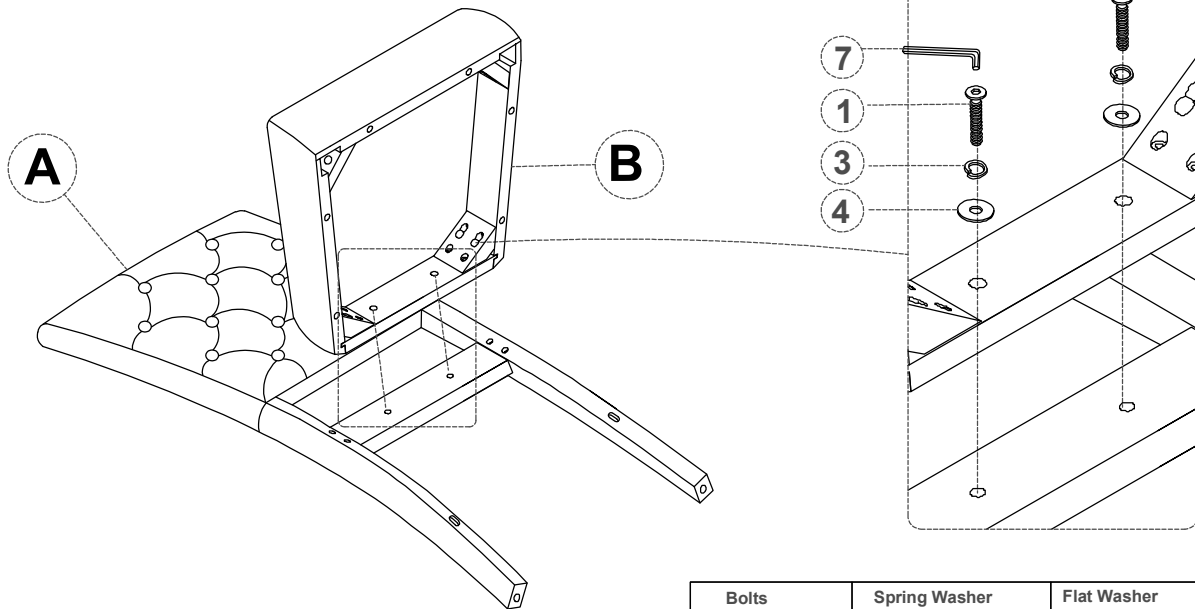




Part List For One

Hardware List For One

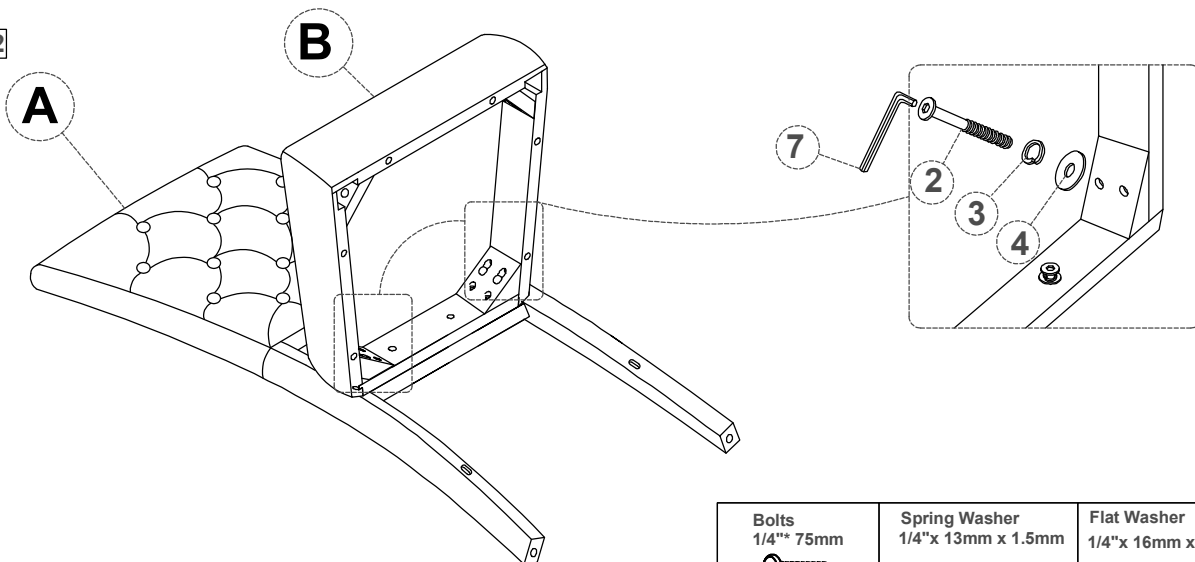
No	Parts Desc.	Q'ty	No	Hardware Desc.	Q'ty
A	BACK FRAME 	1pcs	1	Bolts 1/4"x 35mm 	2pcs
			2	Bolts 1/4"x 75mm 	4pcs
			3	Spring Washer 1/4"x 13mm x 1.5mm 	10pcs
B	SEAT FRAME 	1pcs	4	Flat Washer 1/4"x 16mm x 1.5mm 	10pcs
			5	Bolts 1/4"x 55mm 	4pcs
C	RIGHT STRETCHER 	1pcs	6	Screws 4 x 38mm 	6pcs
D	LEFT STRETCHER 	1pcs	7	Allen Key 4mm x 60mm 	1pcs
E	FRONT STRETCHER 	1pcs			
F	FRONT LEGS (LEFT) 	1pcs			
G	FRONT LEGS (RIGHT) 	1pcs			





STEP 1



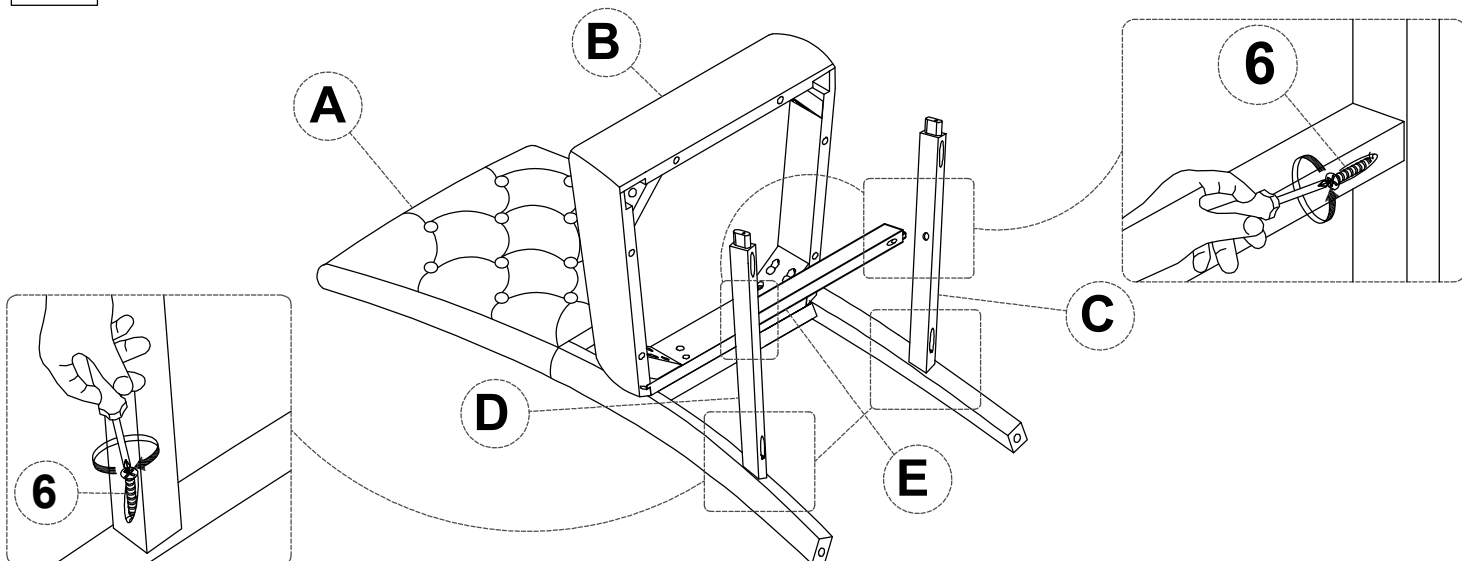
Bolts 1/4"x 35mm  ① x 2	Spring Washer 1/4"x 13mm x 1.5mm  ③ x 2	Flat Washer 1/4"x 16mm x 1.5mm  ④ x 2	Allen Key 4mm x 60mm  ⑦ x 1
--	--	--	--

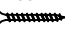
STEP 2



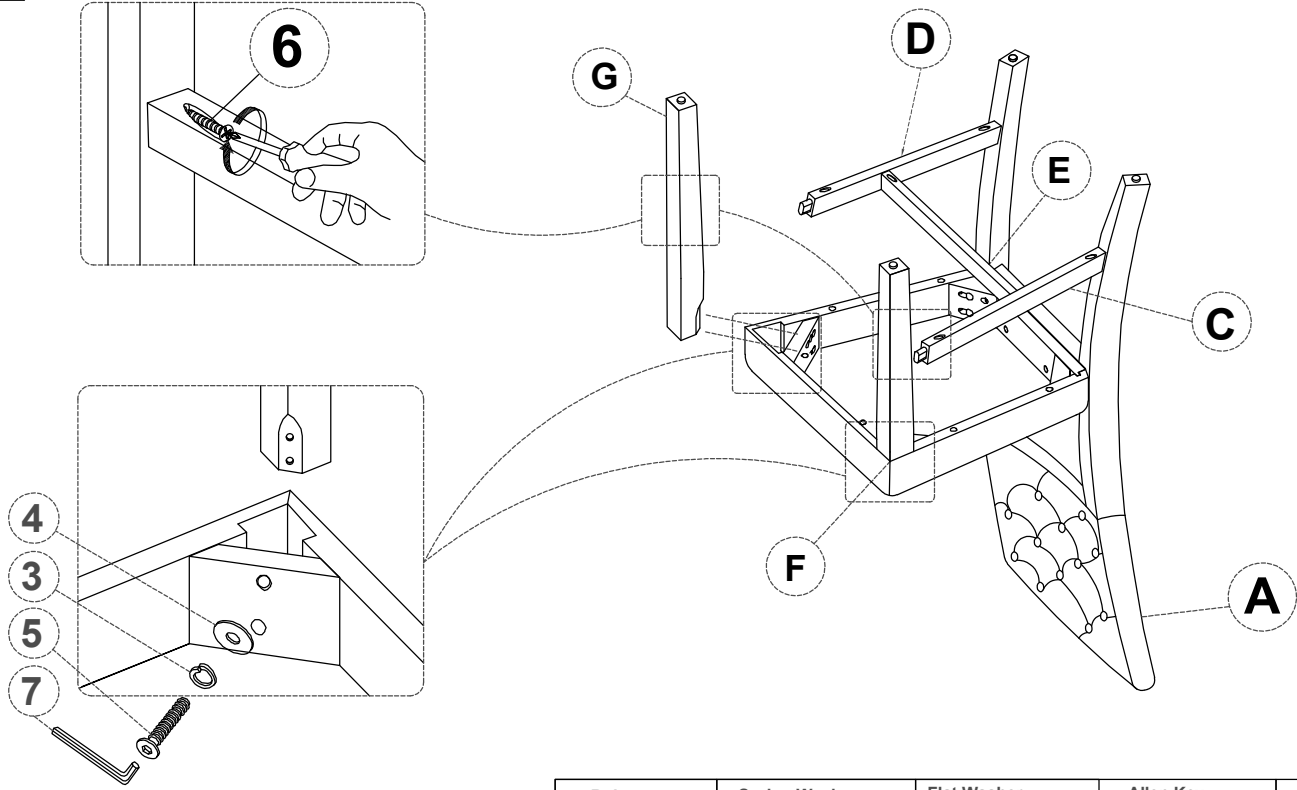
Bolts 1/4"x 75mm  ② x 4	Spring Washer 1/4"x 13mm x 1.5mm  ③ x 4	Flat Washer 1/4"x 16mm x 1.5mm  ④ x 4	Allen Key 4mm x 60mm  ⑦ x 1
--	--	--	--





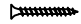
STEP 3



Screws 4 x 38mm  ⑥ x 4

STEP 4



Bolts 1/4" x 55mm  ⑤ x 4	Spring Washer 1/4" x 13mm x 1.5mm  ③ x 4	Flat Washer 1/4" x 16mm x 1.5mm  ④ x 4	Allen Key 4mm x 60mm  ⑦ x 1	Screws 4 x 38mm  ⑥ x 2
---	---	---	--	---

FINISH

