

# ASSEMBLY INSTRUCTIONS

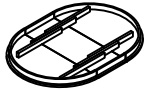
ITEM: WF291263

## Important note:

1. Place all wooden parts on a clean and smooth surface such as a rug or carpet to avoid scratching the parts.
2. Kindly follow the assembly instructions step by step.
3. Do not tighten all screws and bolts until the table is fully assembled.
4. Unscrew the protective plastique supports from the metal insert of the table legs before assembly.

## PARTS IDENTIFICATION

**A** Table Top



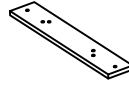
1pc

**B** Leg



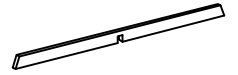
4pcs

**C** Connection panel



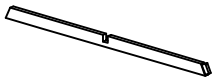
2pcs

**D** Long left Stretcher



1pc

**E** Long right Stretcher



1pc

**F** Short left Stretcher



1pc

**G** Short right Stretcher



1pc

## HARDWARE IDENTIFICATION

**1** Bolt  
1/4"X38mm  
 12pcs

**2** Spring Washer  
1/4"X11mm  
 12pcs

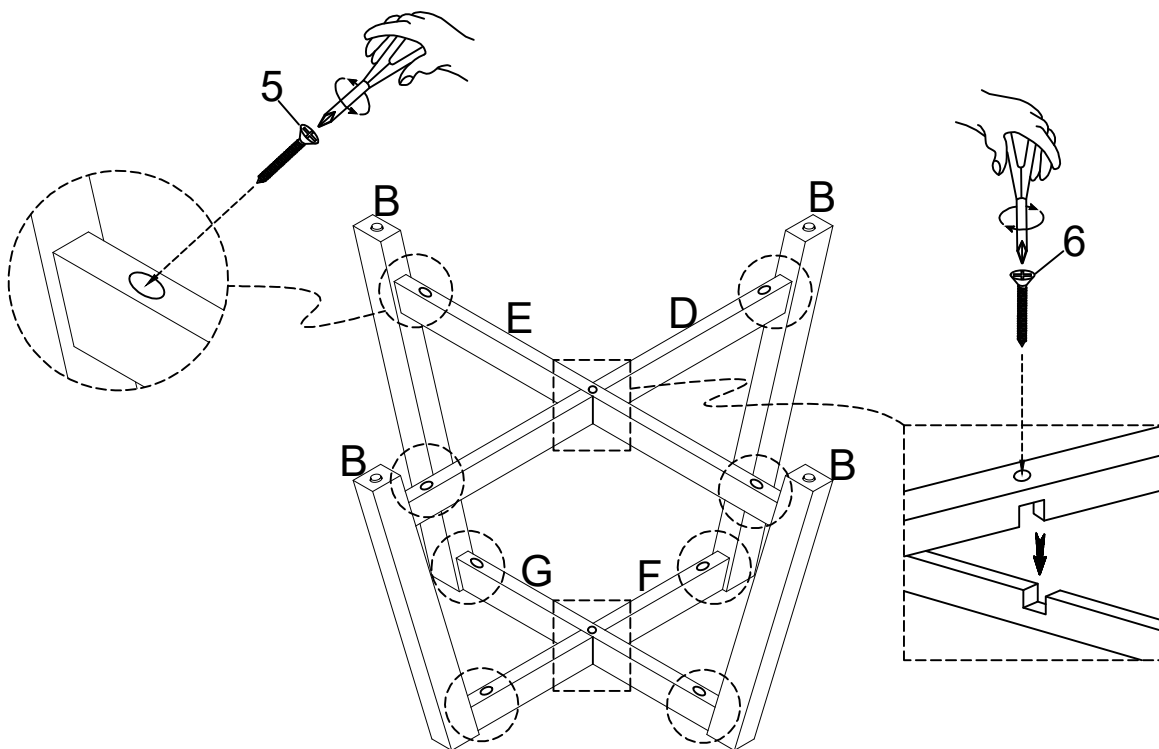
**3** Flat Washer  
1/4"X19mm  
 12pcs

**4** Allen Key  
 1pc

**5** Wood screw  
#8X50mm  
 8pcs

**6** Wood screw  
#8X38mm  
 2pcs

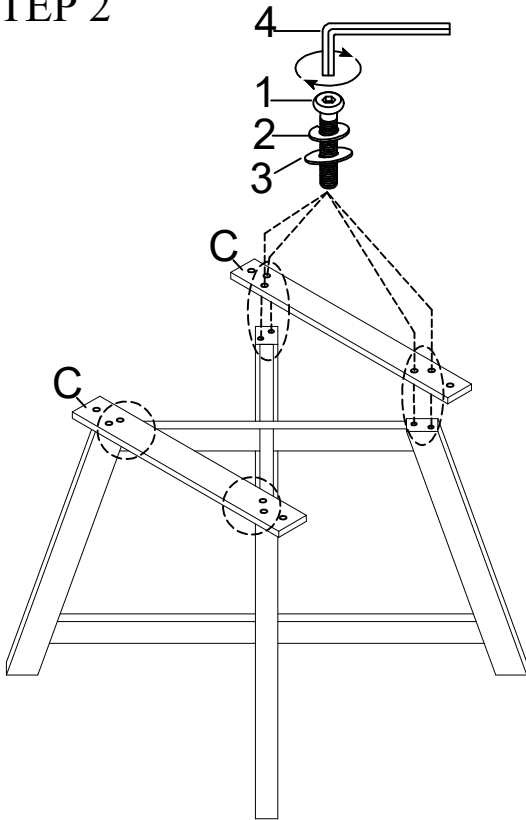
## STEP 1



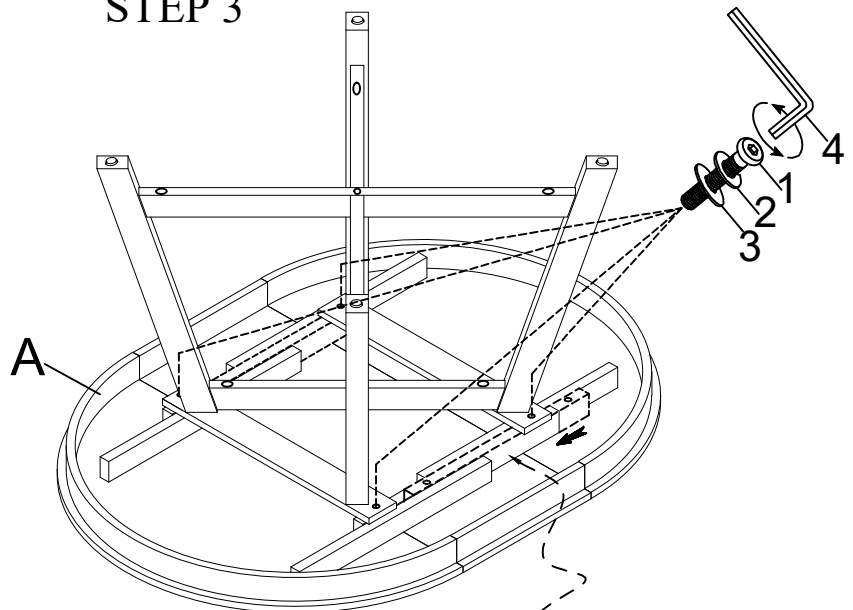
# ASSEMBLY INSTRUCTIONS

ITEM: WF291263

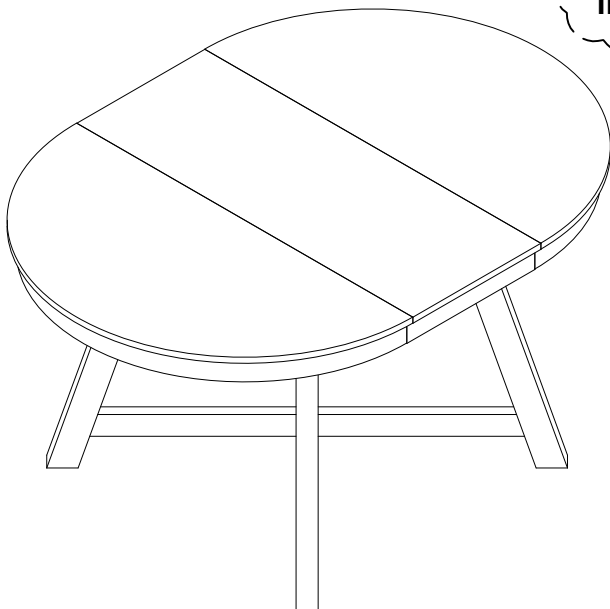
## STEP 2



## STEP 3



## COMPLETE



# ASSEMBLY INSTRUCTIONS

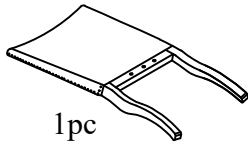
ITEM: WF291264

## Important note:

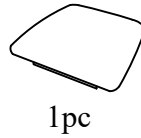
1. Place all wooden parts on a clean and smooth surface such as a rug or carpet to avoid scratching the parts.
2. Kindly follow the assembly instructions step by step.
3. Do not tighten all screws and bolts until the table is fully assembled.
4. Unscrew the protective plastique supports from the metal insert of the table legs before assembly.

## PARTS IDENTIFICATION

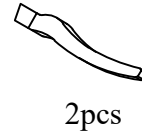
**A** Chair Back




**B** Seat cushion





**C** Front Leg





## HARDWARE IDENTIFICATION


**1** Long Bolt  
Ø1/4"X80mm  
 4pcs

**2** Bolt  
Ø1/4"X60mm  
 4pcs

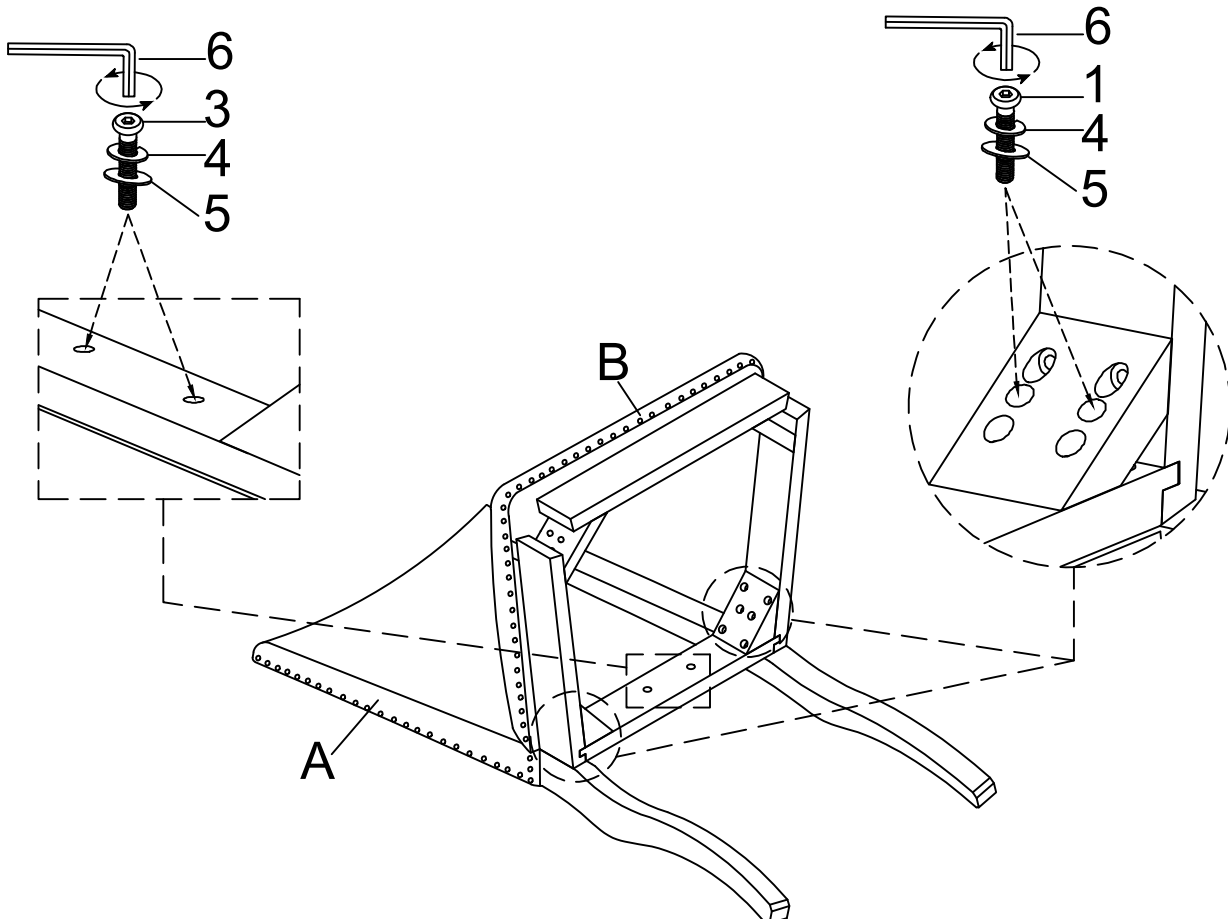
**3** Bolt  
Ø1/4"X40mm  
 2pcs

**4** Spring Washer  
Ø1/4"X11mm  
 10 pcs

**5** Flat Washer  
Ø1/4"X19mm  
 10 pcs

**6** Allen Key  
 1pc

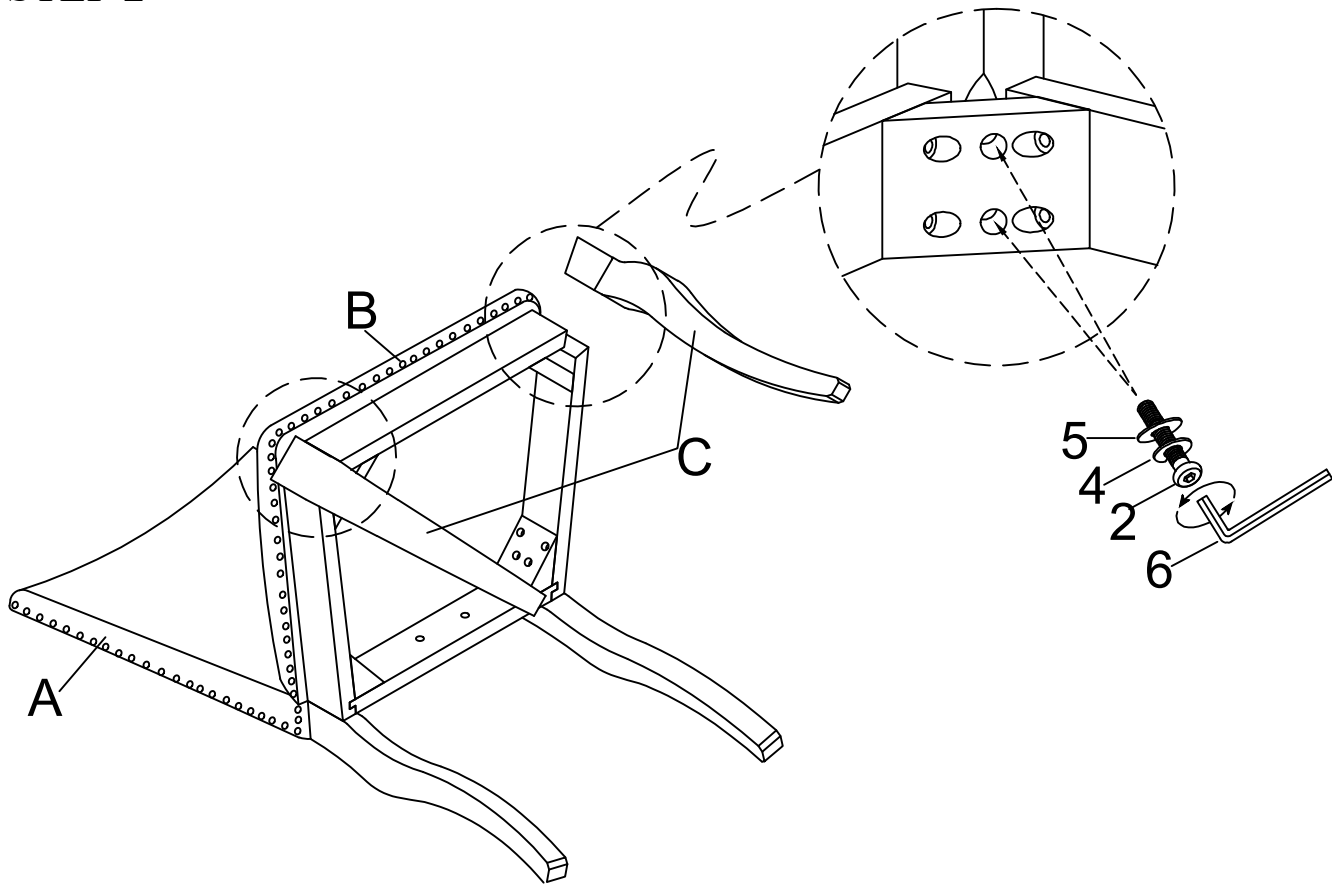
## STEP 1



# ASSEMBLY INSTRUCTIONS

ITEM: WF291264

## STEP 2



## COMPLETE

