

# ASSEMBLY INSTRUCTION

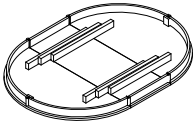
## ITEM: WF305986/WF305987

**Important note:**

1. Place all wooden parts on a clean and smooth surface such as a rug or carpet to avoid scratching the parts.
2. Kindly follow the assembly instructions step by step.
3. Do not tighten all screws and bolts until the table is fully assembled.
4. Unscrew the protective plastique supports from the metal insert of the table legs before assembly.

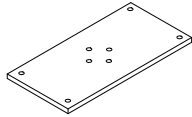
### PARTS IDENTIFICATION

**A** Table Top



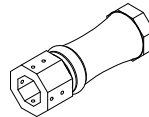
1pc

**B** Mounting Plate



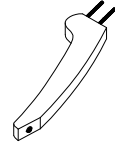
1pc

**C** Pedestal



1pc

**D** Table Leg



4pcs

### HARDWARE IDENTIFICATION

**1** Long Bolt

Ø5/16"x50mm



8pcs

**2** Hex Nut

Ø5/16"x12mm



8pcs

**3** Spring Washer

Ø5/16"x11mm



16pcs

**4** Flat Washer

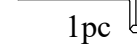
Ø5/16"x19mm



16pcs

**5** Allen Key

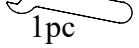
M4



1pc

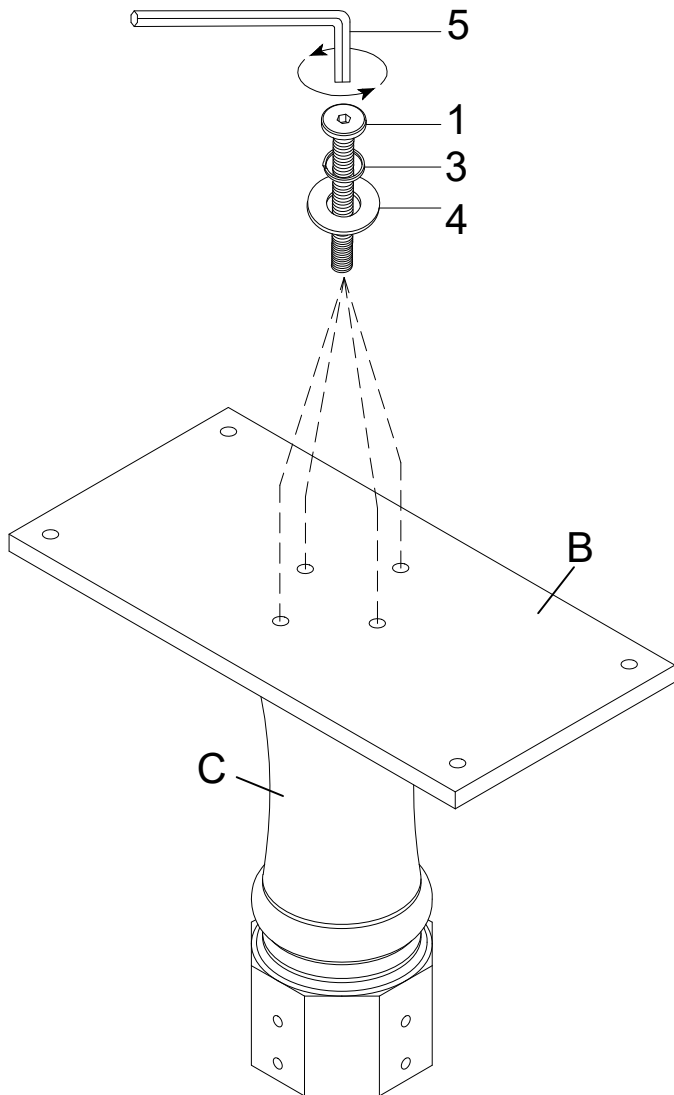
**6** Spanner

12mm

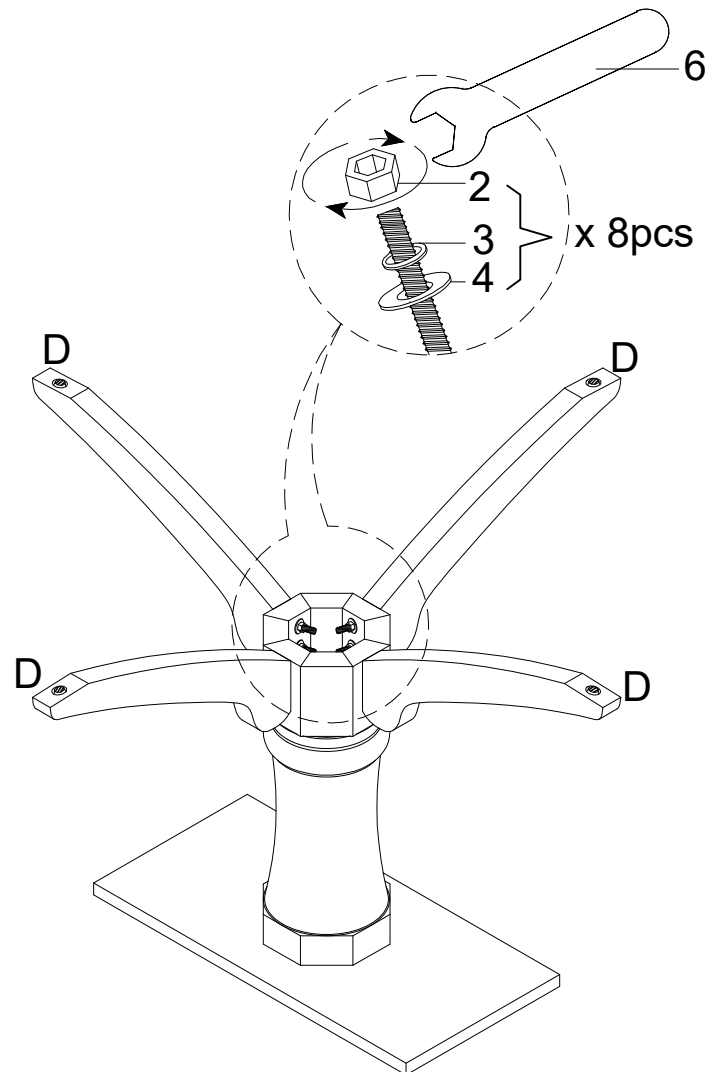


1pc

**STEP 1**



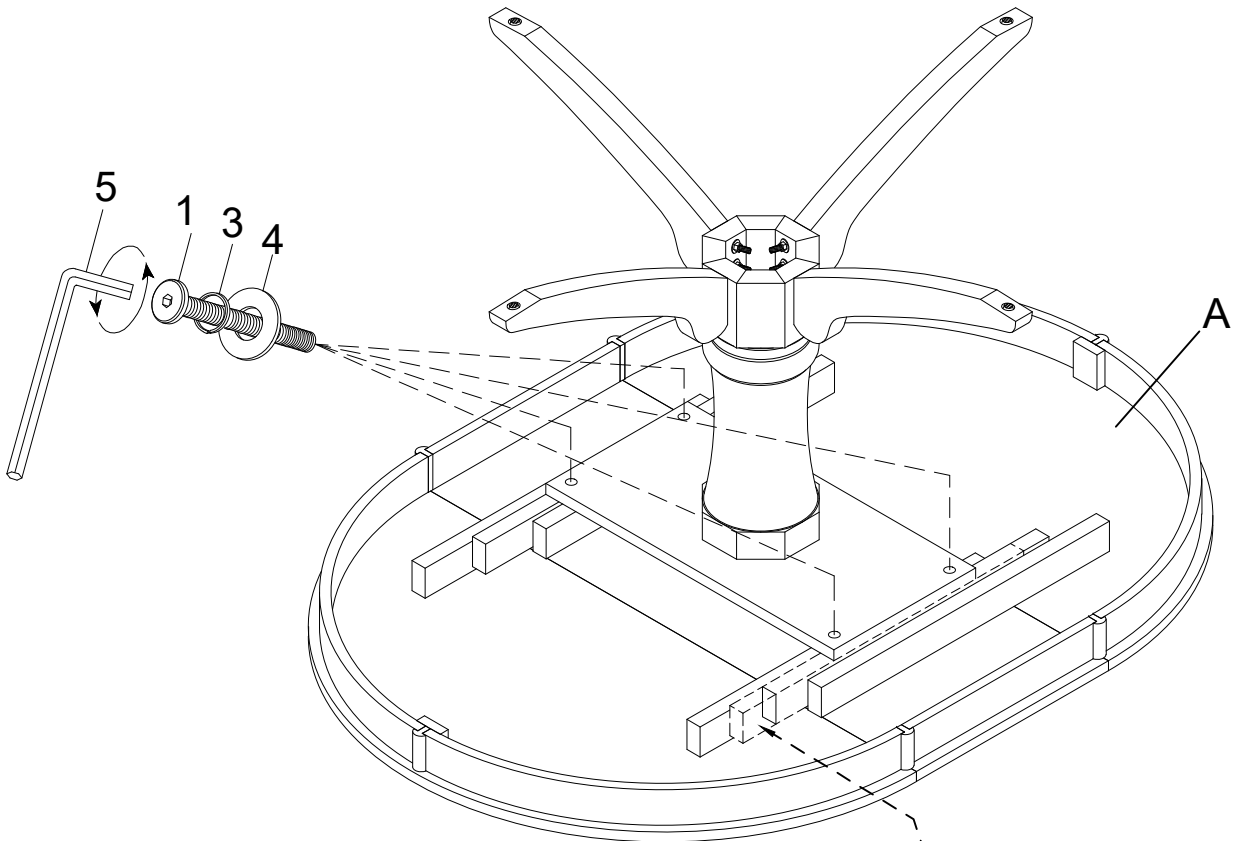
**STEP 2**



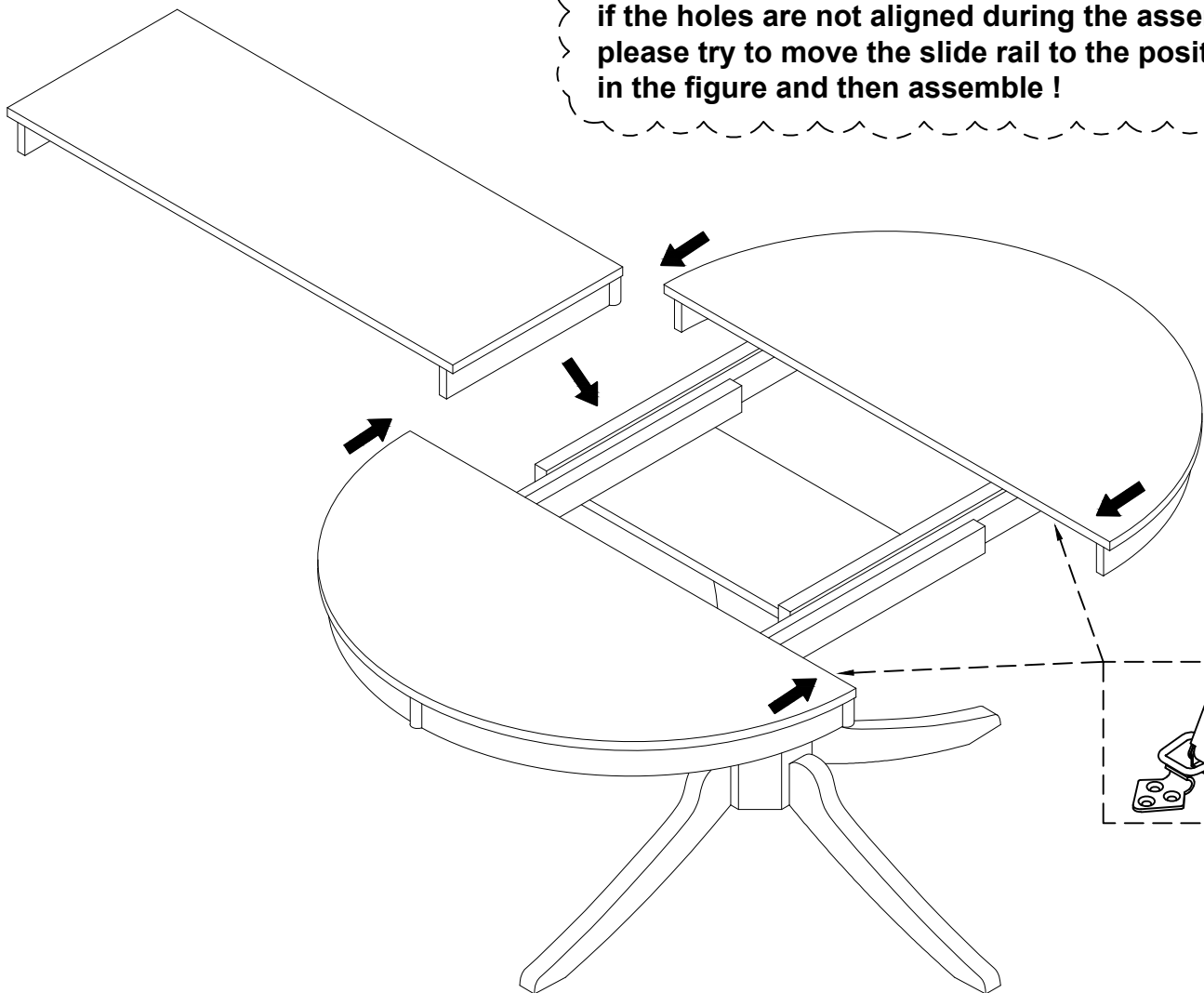
# ASSEMBLY INSTRUCTION

## ITEM: WF305986/WF305987

STEP 3



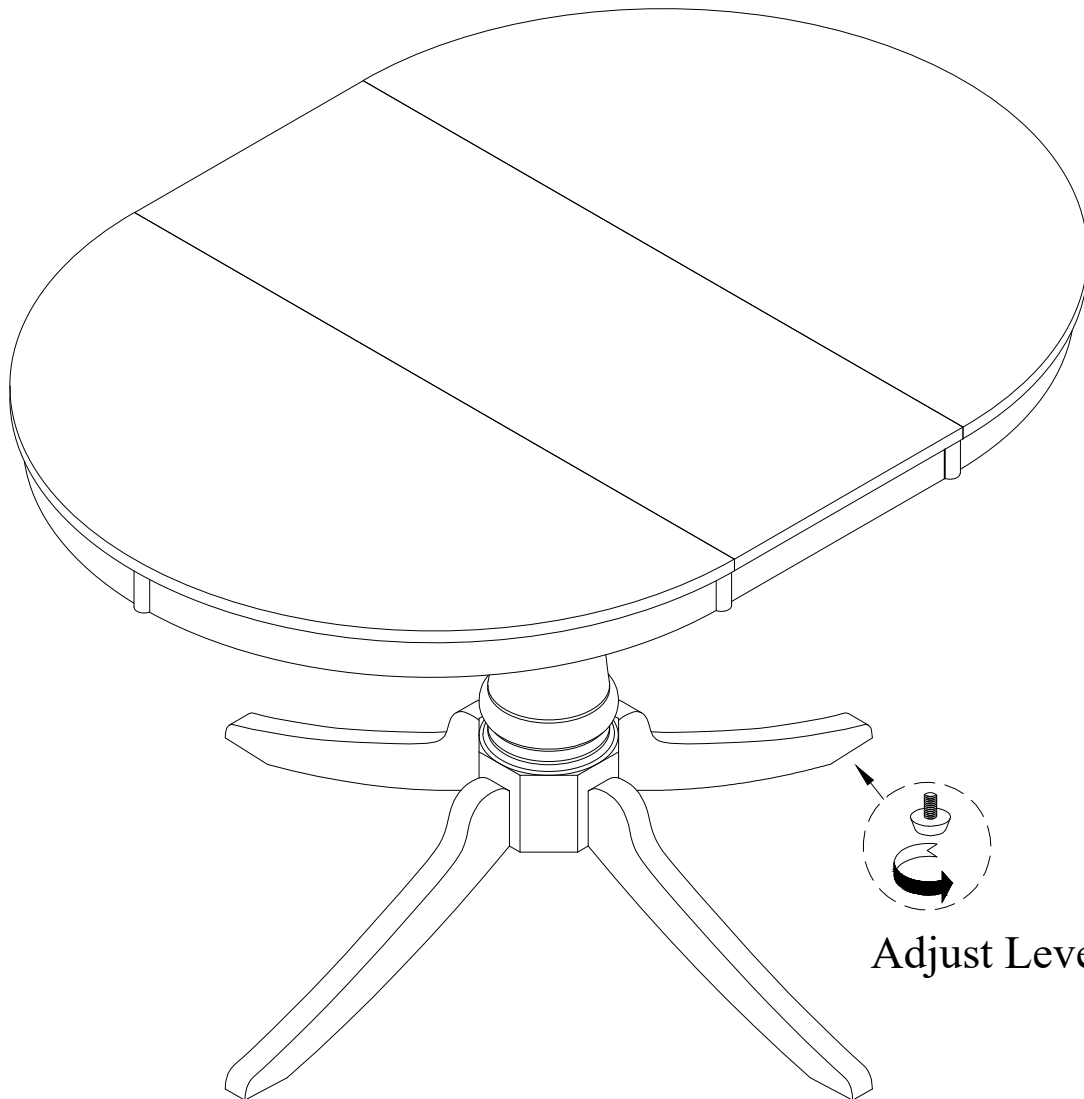
STEP 4



**This part of the slide rail can be moved, if the holes are not aligned during the assembly process, please try to move the slide rail to the position shown in the figure and then assemble !**

ASSEMBLY INSTRUCTION  
ITEM: WF305986/WF305987

COMPLETE



Adjust Leveler=4pcs.

# ASSEMBLY INSTRUCTION

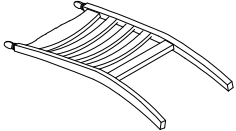
## ITEM: WF305988

**Important note:**

1. Place all wooden parts on a clean and smooth surface such as a rug or carpet to avoid scratching the parts.
2. Kindly follow the assembly instructions step by step.
3. Do not tighten all screws and bolts until the table is fully assembled.
4. Unscrew the protective plastique supports from the metal insert of the legs before assembly.

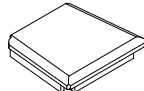
### PARTS IDENTIFICATION

**A** Chair Back



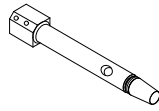
1pc

**B** Seat cushion



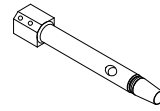
1pc

**C** Left Leg



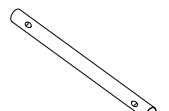
1pc

**D** Right Leg



1pc

**E** Stretcher



2pcs

### HARDWARE IDENTIFICATION

**1** Bolt

Ø5/16"x38mm



2pcs

**2** Bolt

Ø5/16"x60mm



4pcs

**3** Long Bolt

Ø5/16"x80mm



4pcs

**4** Spring Washer

Ø5/16"x11mm



10pcs

**5** Flat Washer

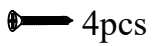
Ø5/16"x19mm



10pcs

**6** Wood screw

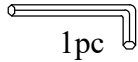
#8x38mm



4pcs

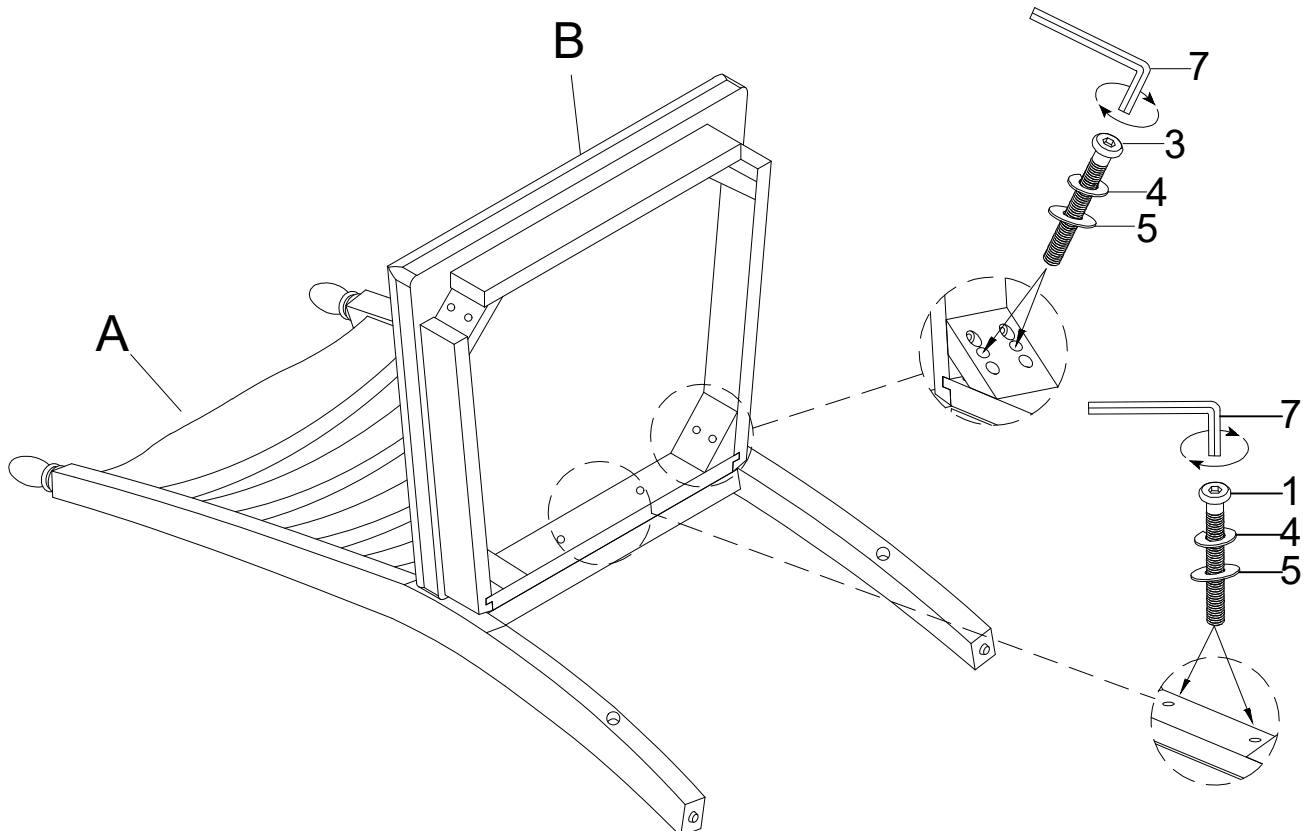
**7** Allen Key

M4



1pc

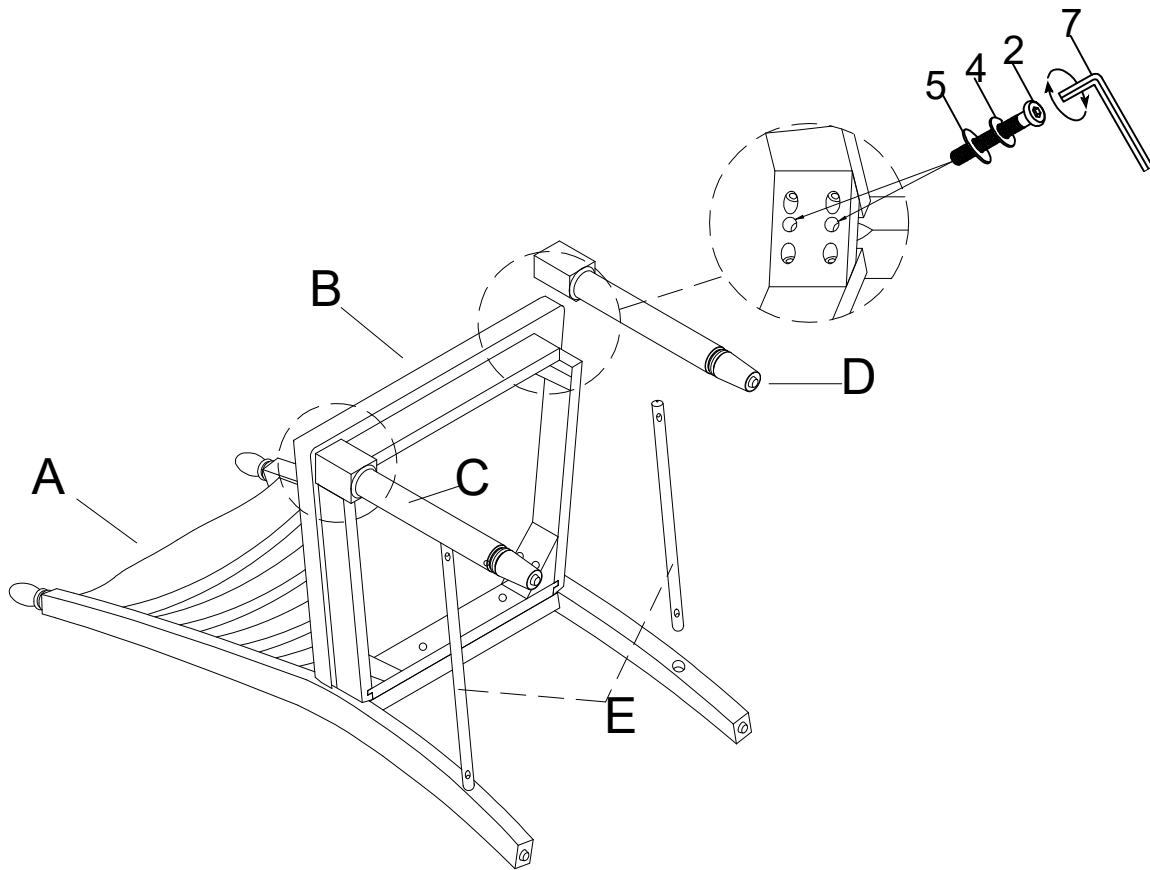
### STEP 1



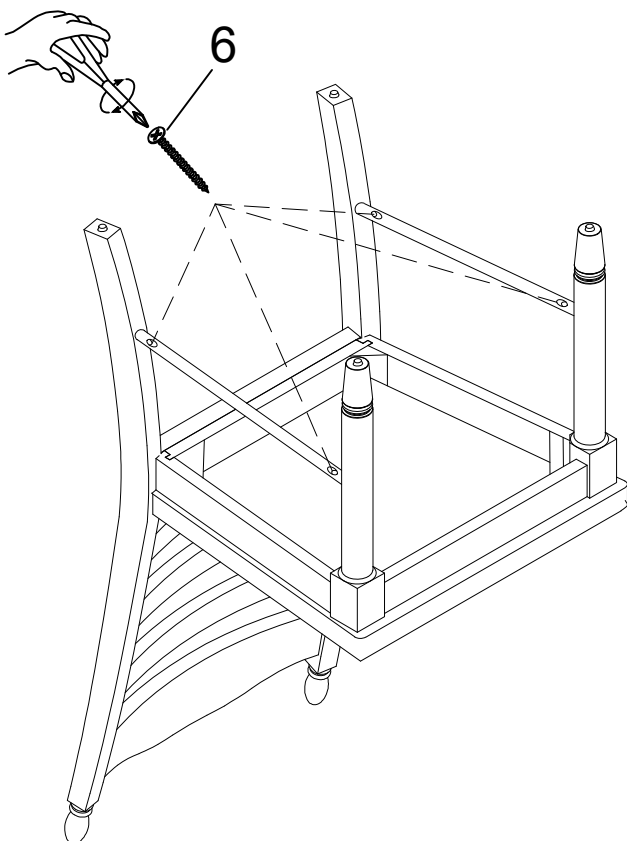
# ASSEMBLY INSTRUCTION

## ITEM: WF305988

### STEP 2



### STEP 3



### COMPLETE

