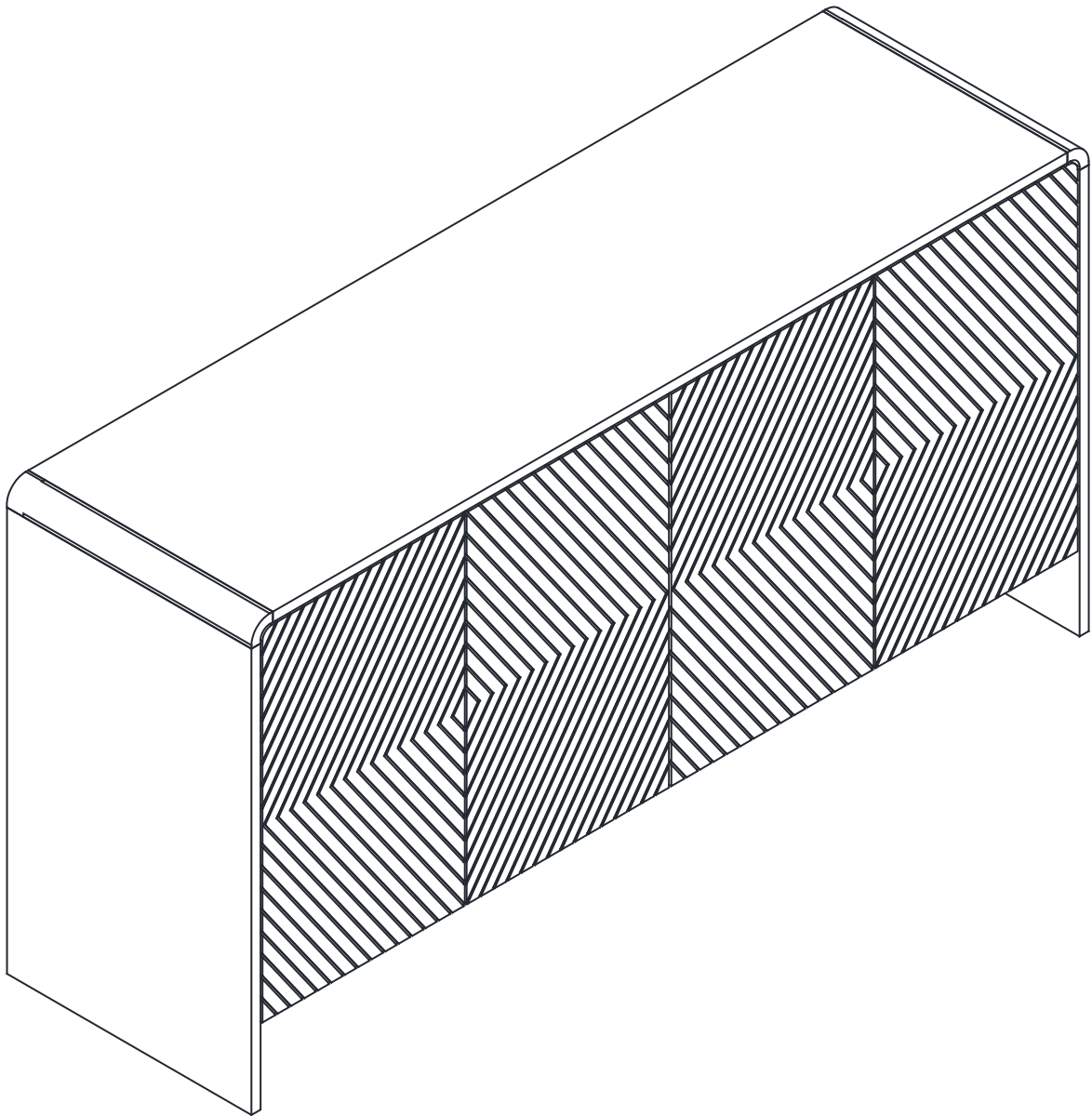
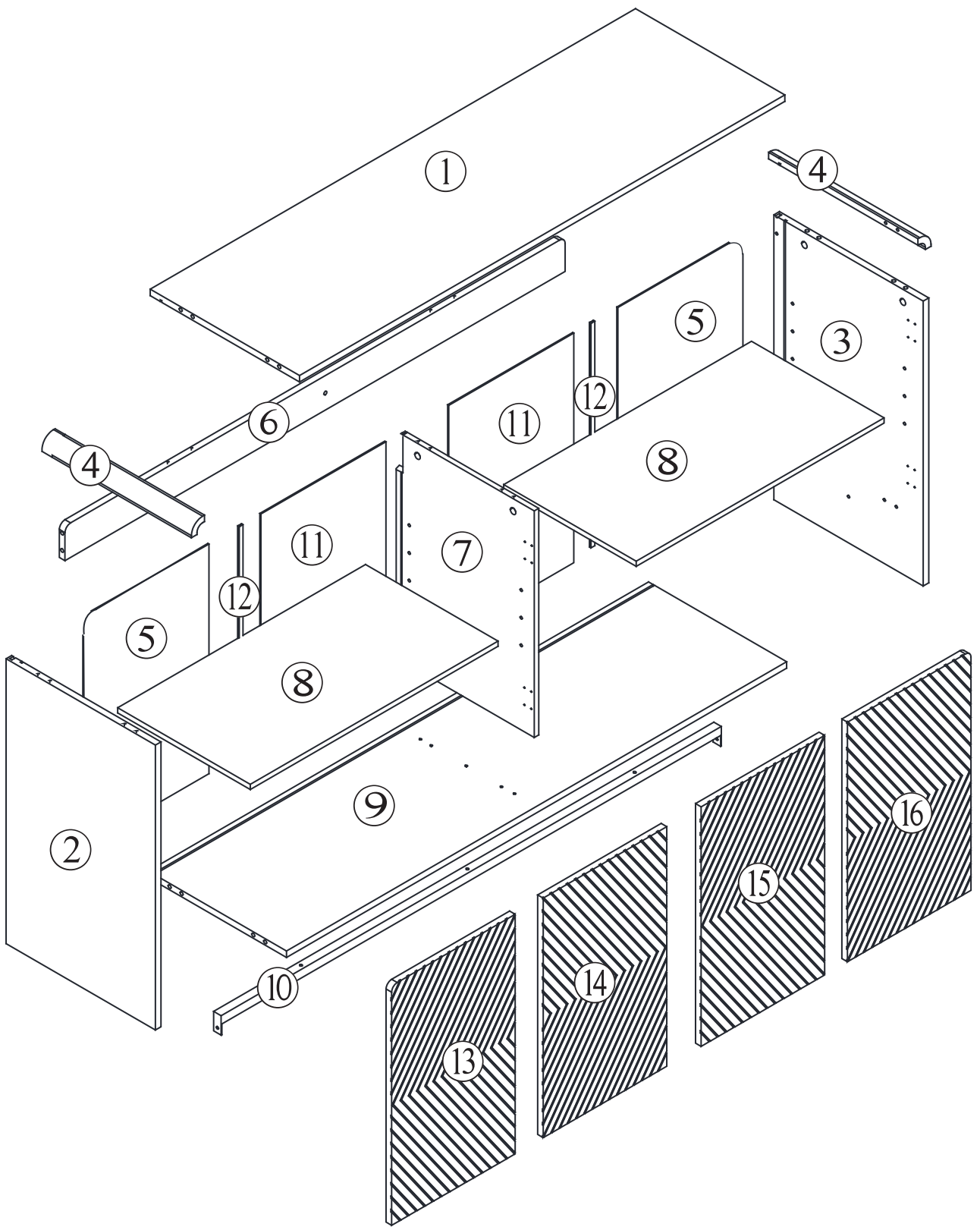
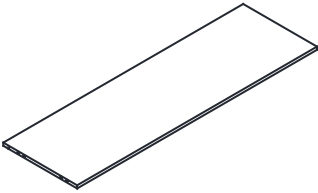
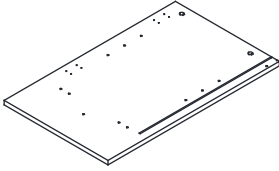
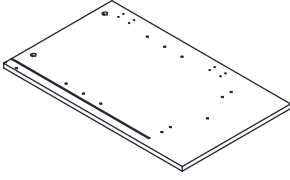
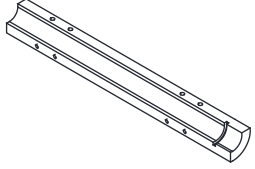
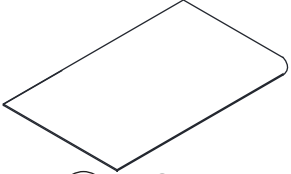
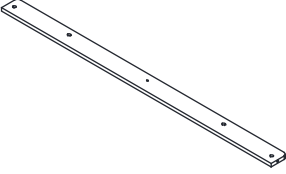
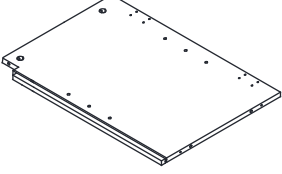
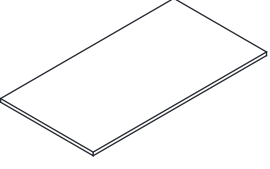
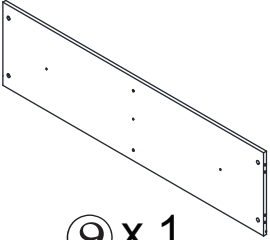
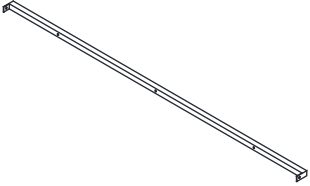
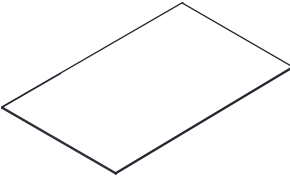

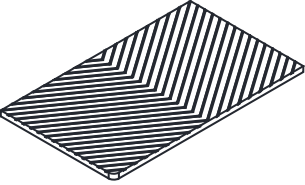

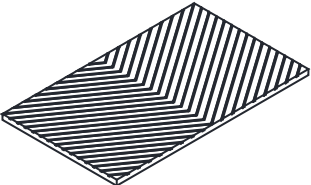



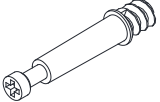



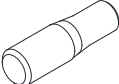
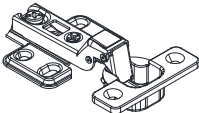
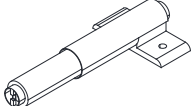

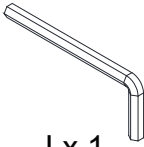

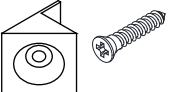
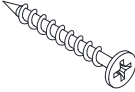
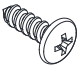
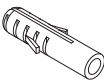
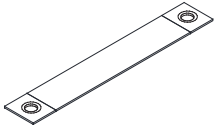

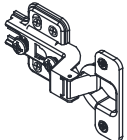
ASSEMBLY INSTRUCTION

WF304383

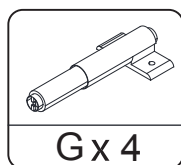
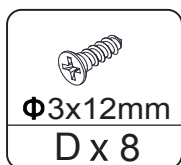
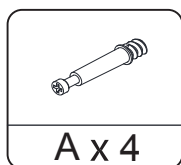
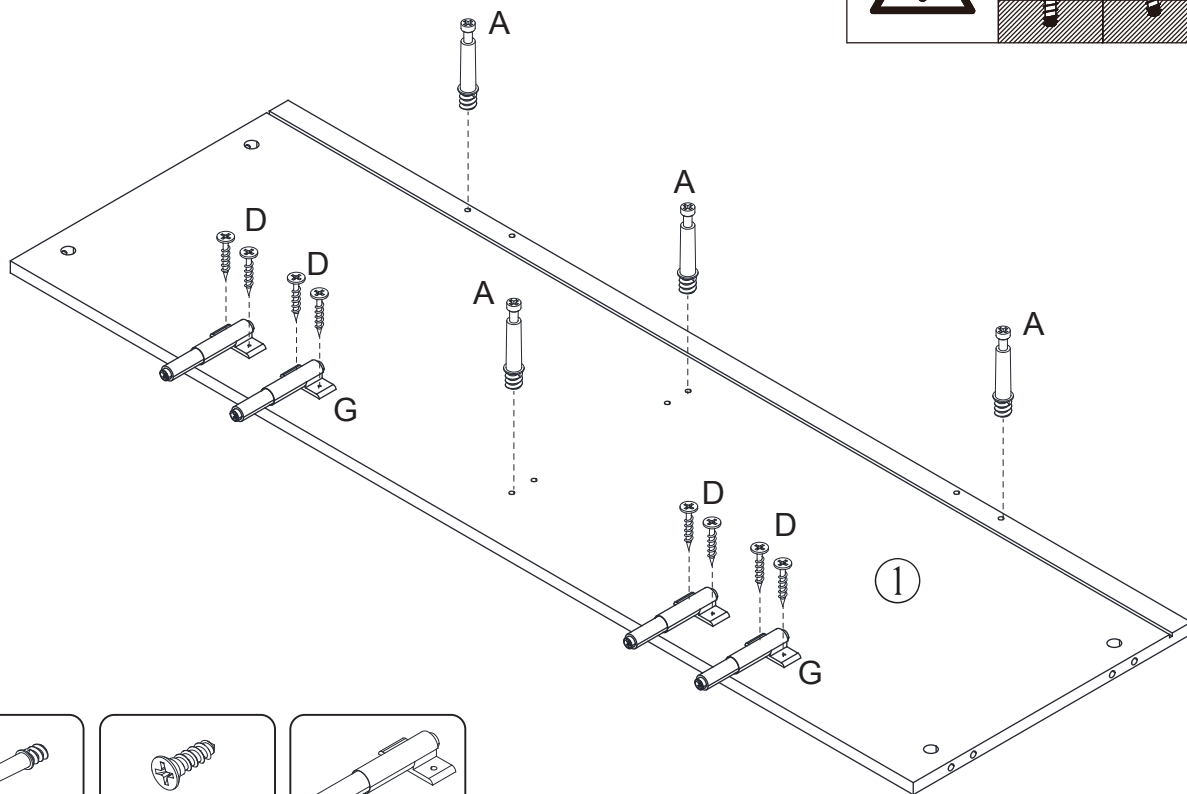
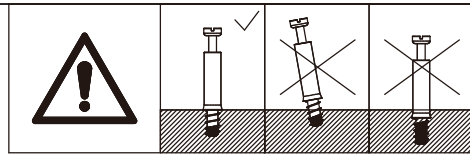




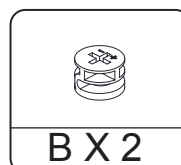
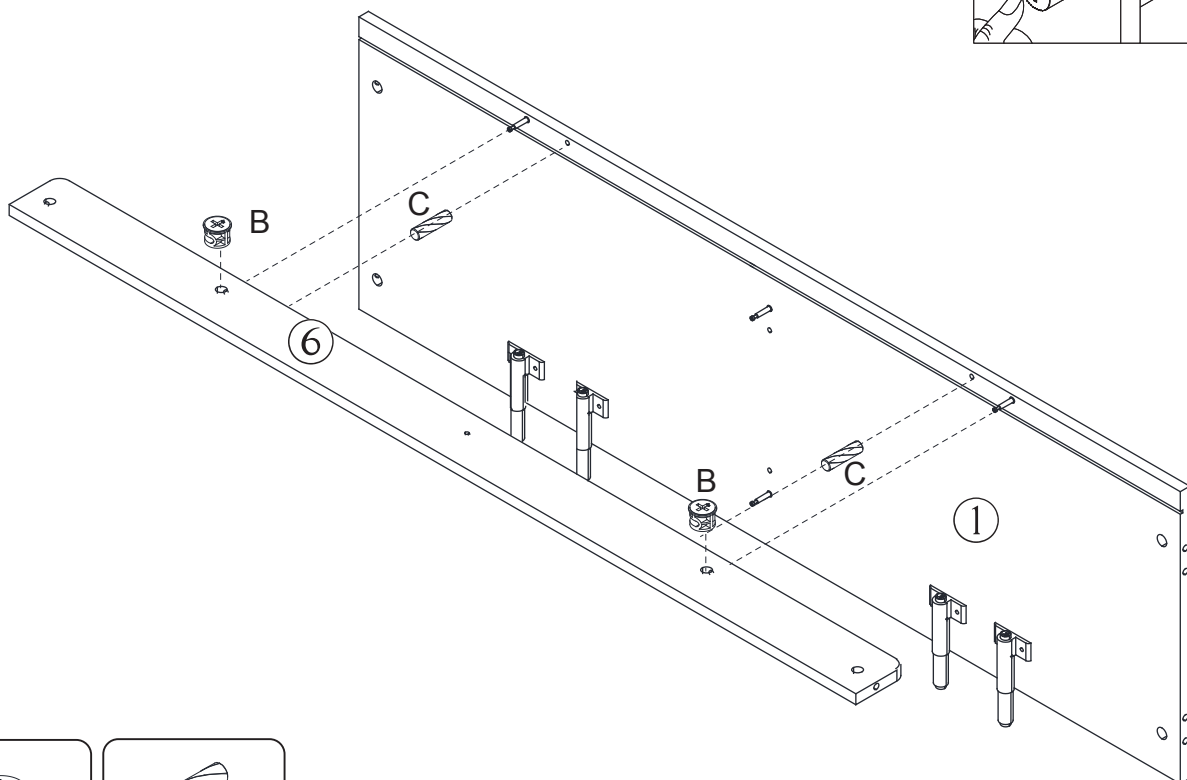
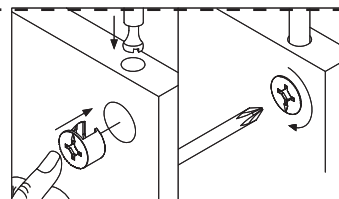
 ① x 1	 ② x 1	 ③ x 1	 ④ x 2
 ⑤ x 2	 ⑥ x 1	 ⑦ x 1	 ⑧ x 2
 ⑨ x 1	 ⑩ x 1	 ⑪ x 2	 ⑫ x 2
 ⑬ x 1	 ⑭ x 1	 ⑮ x 1	 ⑯ x 1

 A x 18	 B x 18	 Φ6x30mm C x 18	 Φ3x12mm D x 12	 E x 8
 F x 4	 G x 4	 H x 4	 I x 1	 J x 3
 K x 10	 Φ4x40mm L x 5	 Φ4x12mm M x 4	 N x 2	 O x 2
 Φ4x14mm P x 48	 Q x 4			

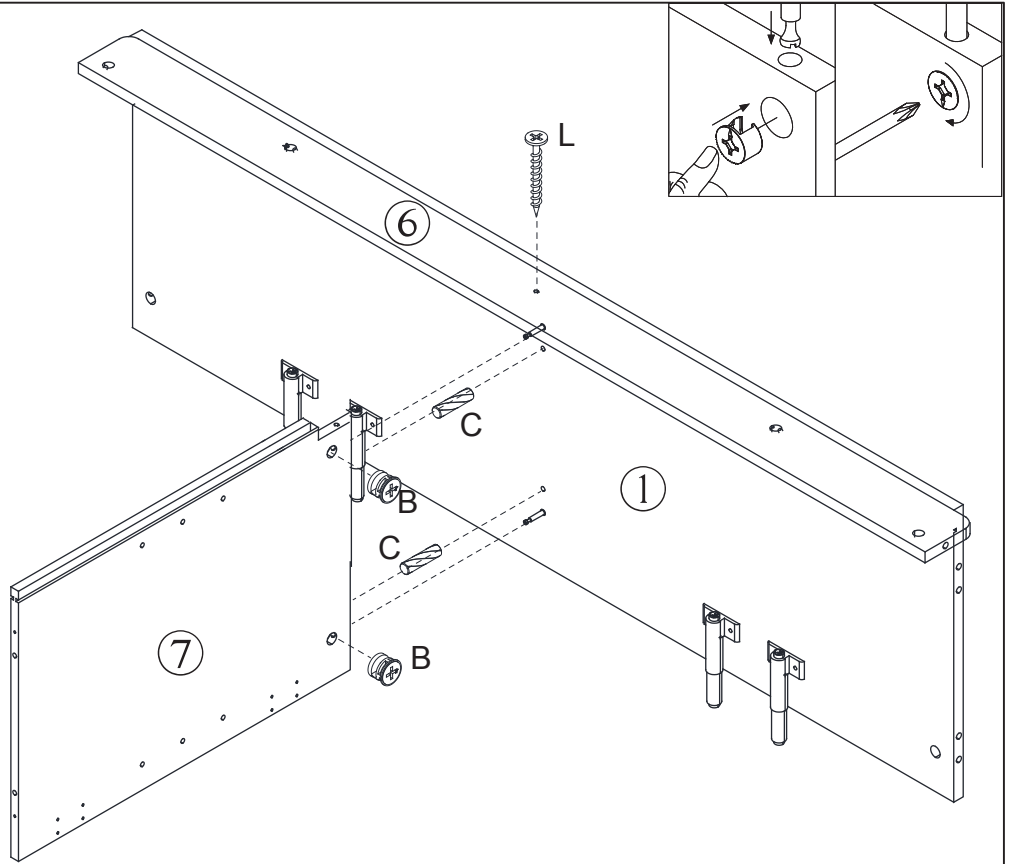
Step 1




Step 2




Step 3

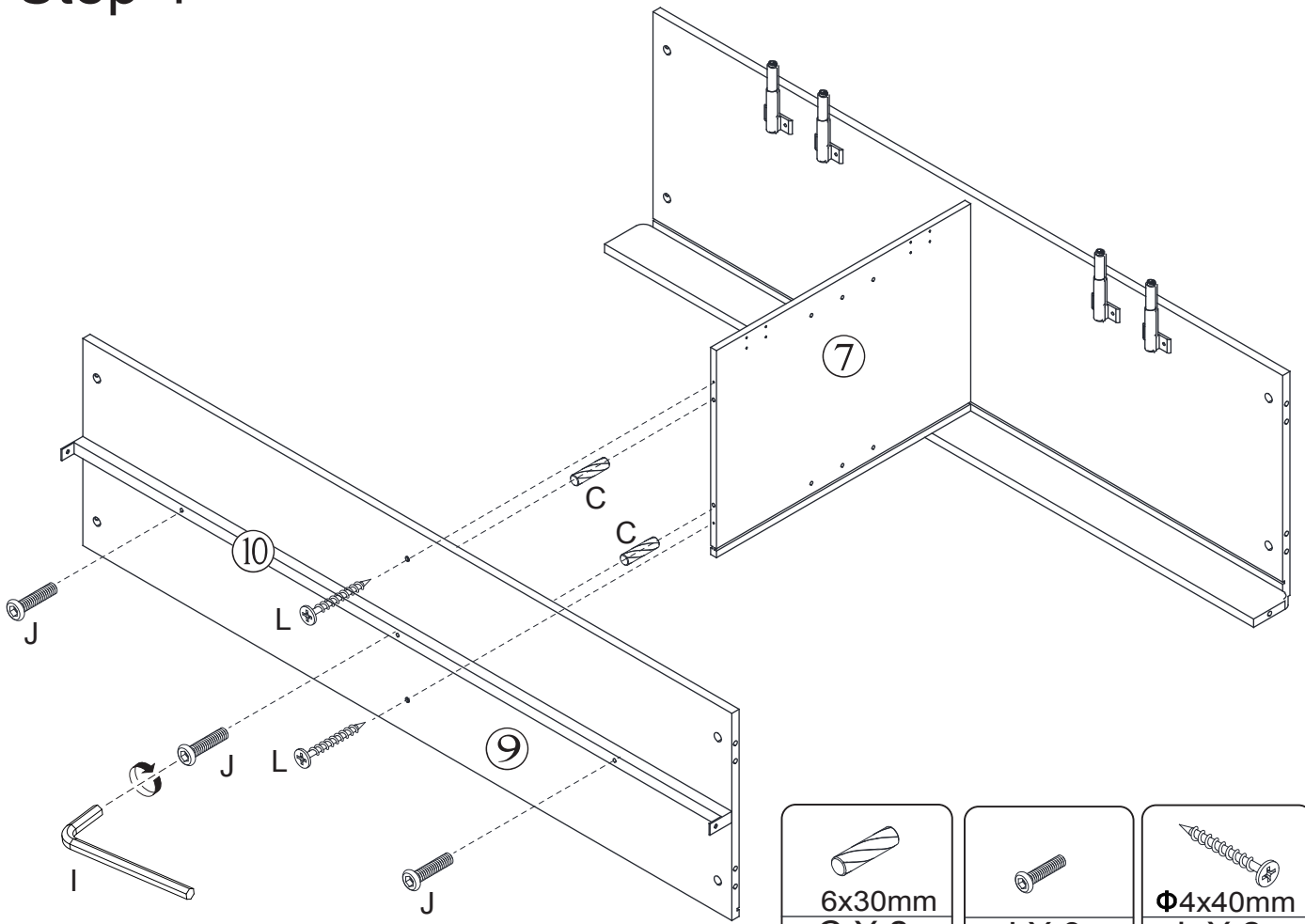




 $\Phi 4 \times 40 \text{mm}$
 L X 1



 $\Phi 6 \times 30 \text{mm}$
 C X 2


 B X 2

Step 4

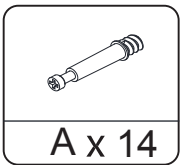
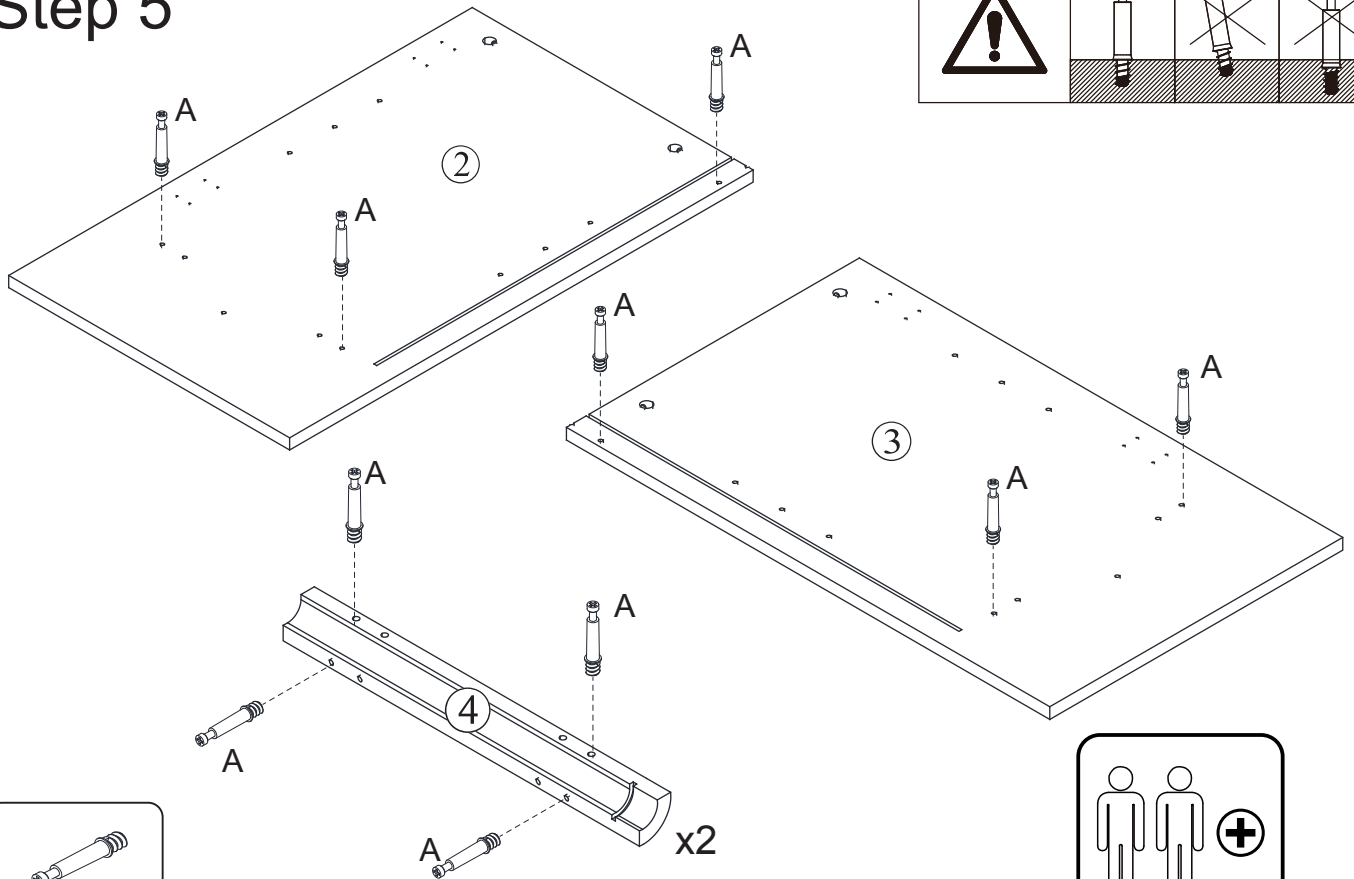
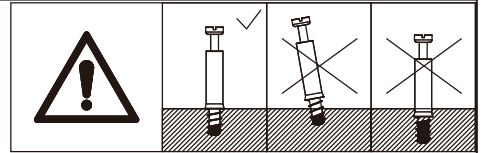



 $6 \times 30 \text{mm}$
 C X 2

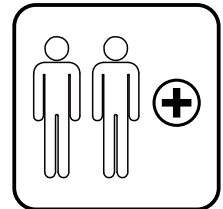

 J X 3


 $\Phi 4 \times 40 \text{mm}$
 L X 2

Step 5

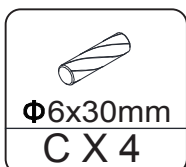
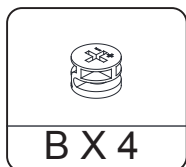
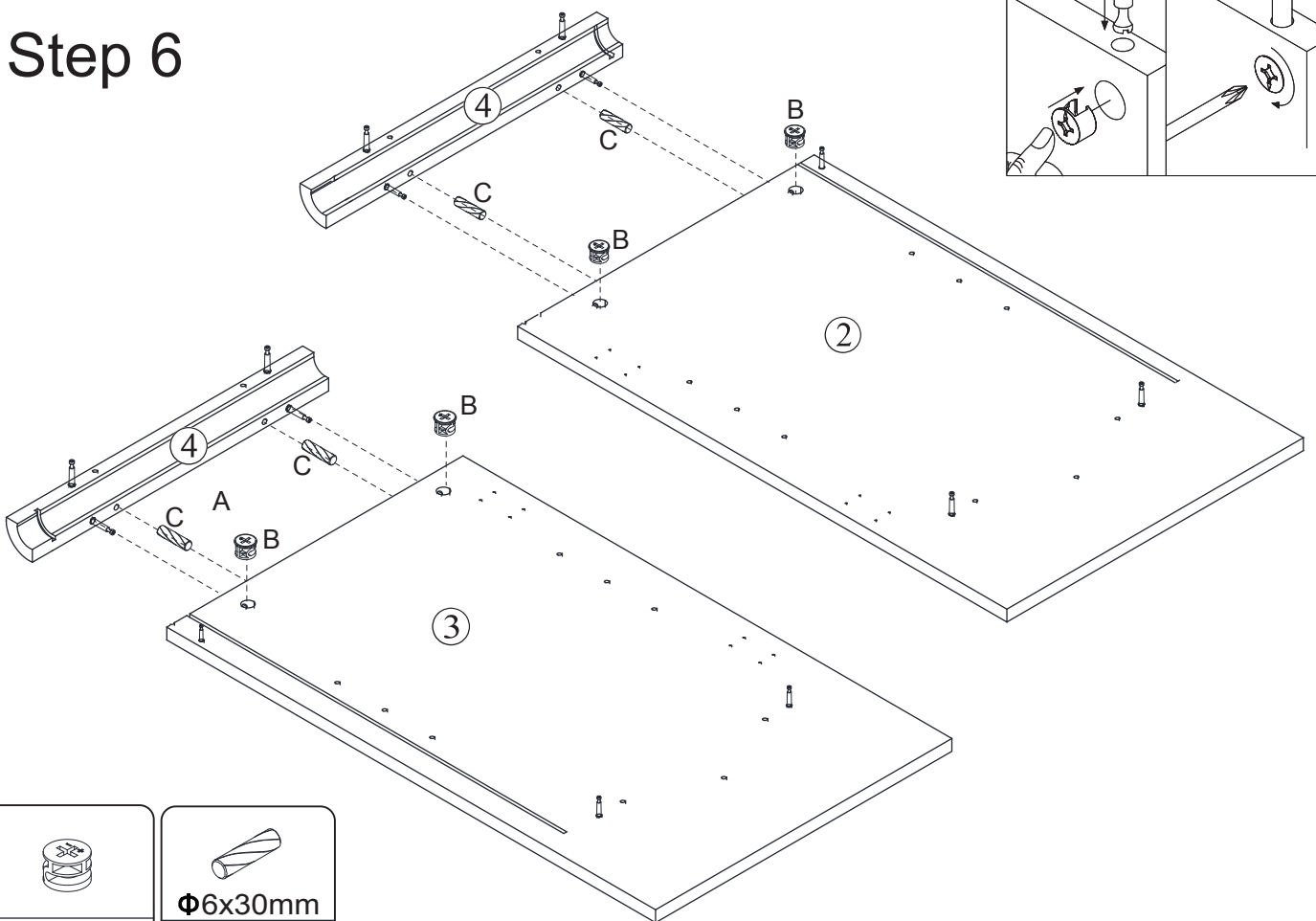
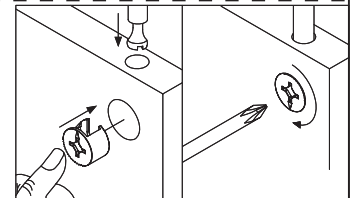


The cam bolt must be perpendicular to the wooden strip.

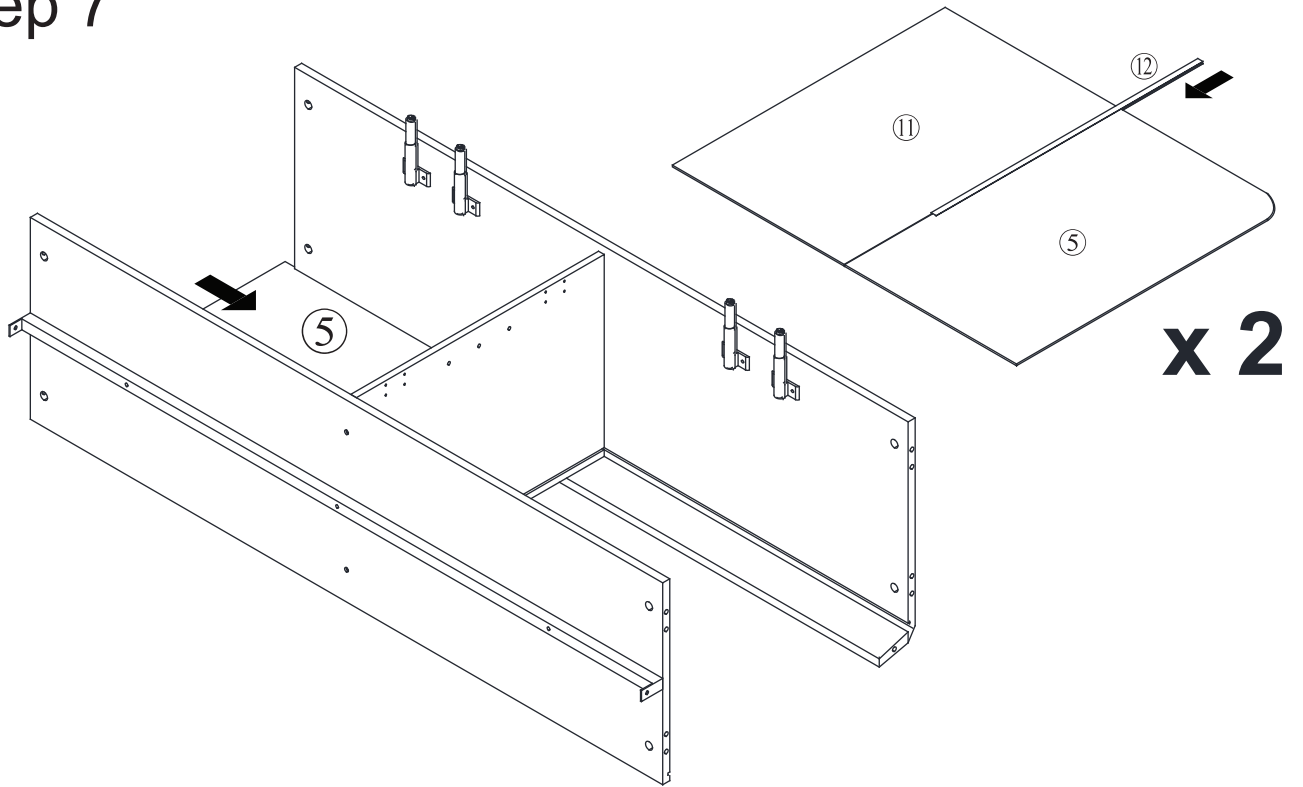


TWO PERSON REQUIRED

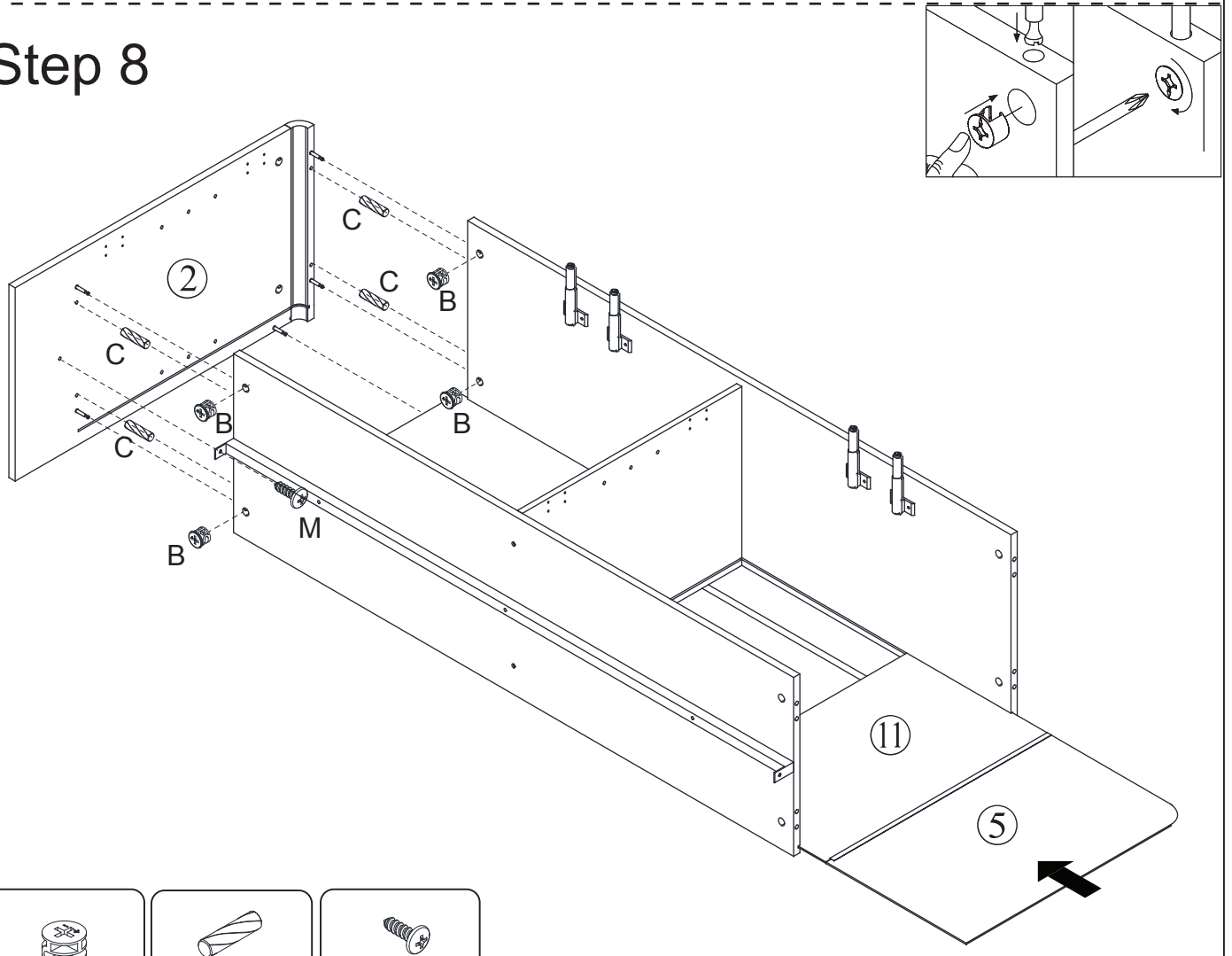
Step 6



Step 7

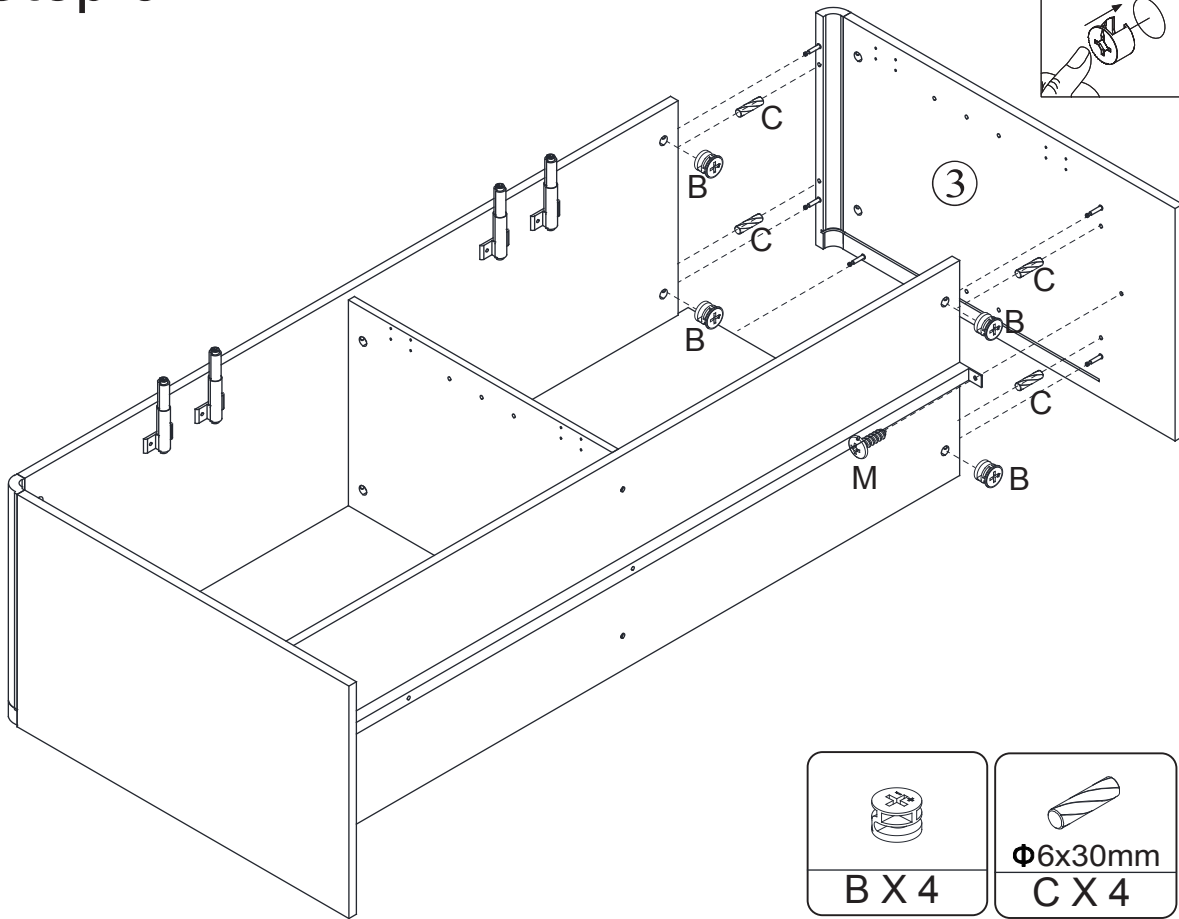


Step 8

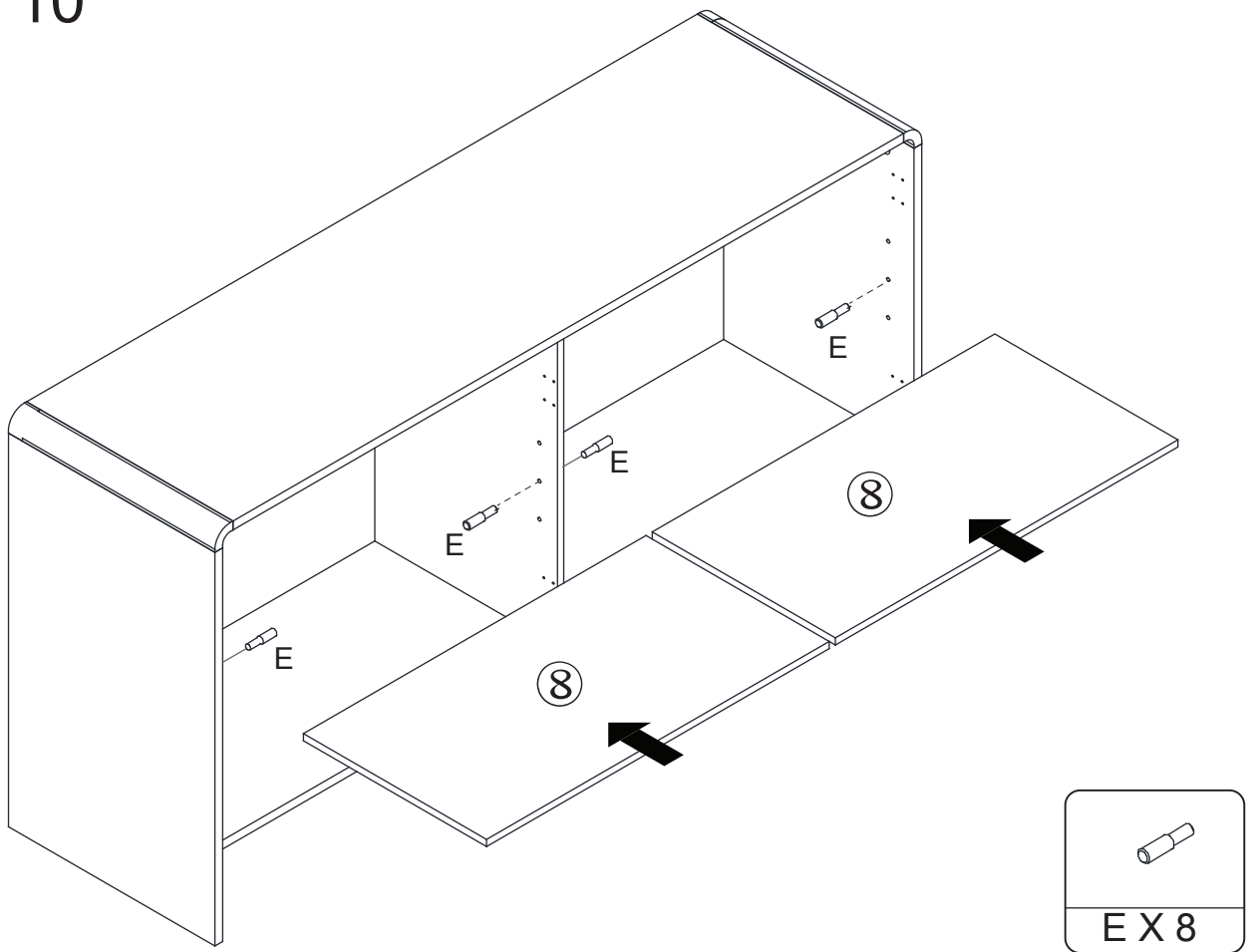


		
B X 4	$\Phi 6 \times 30 \text{mm}$ C X 4	$\Phi 4 \times 12 \text{mm}$ M X 1

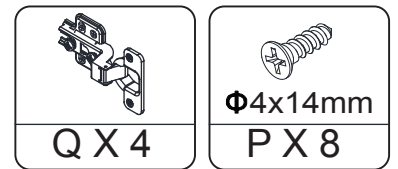
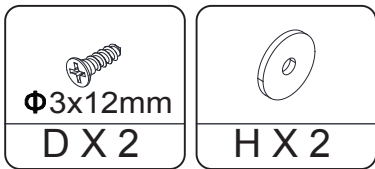
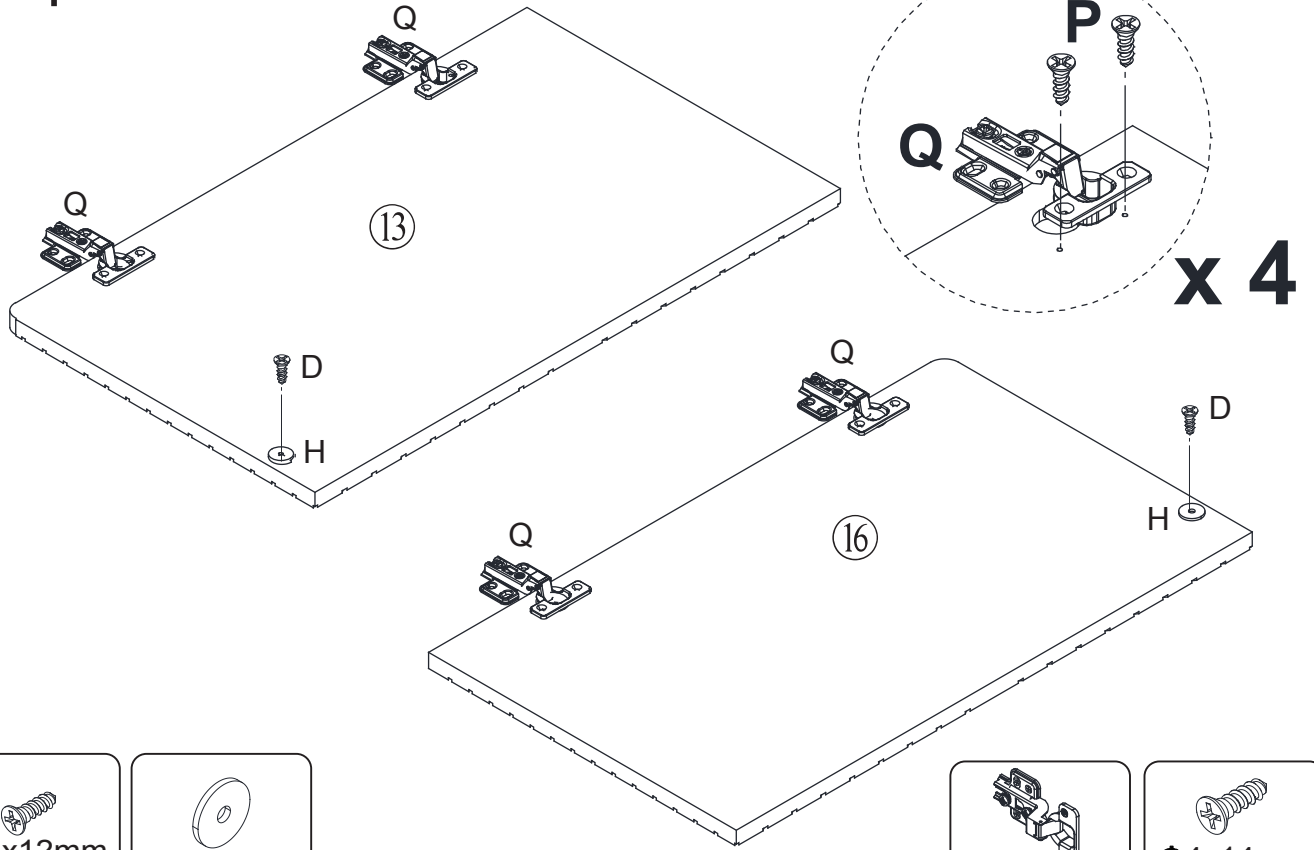
Step 9



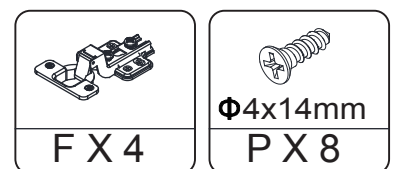
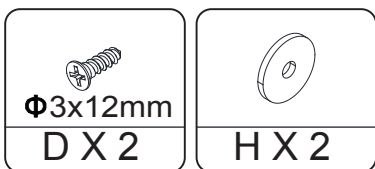
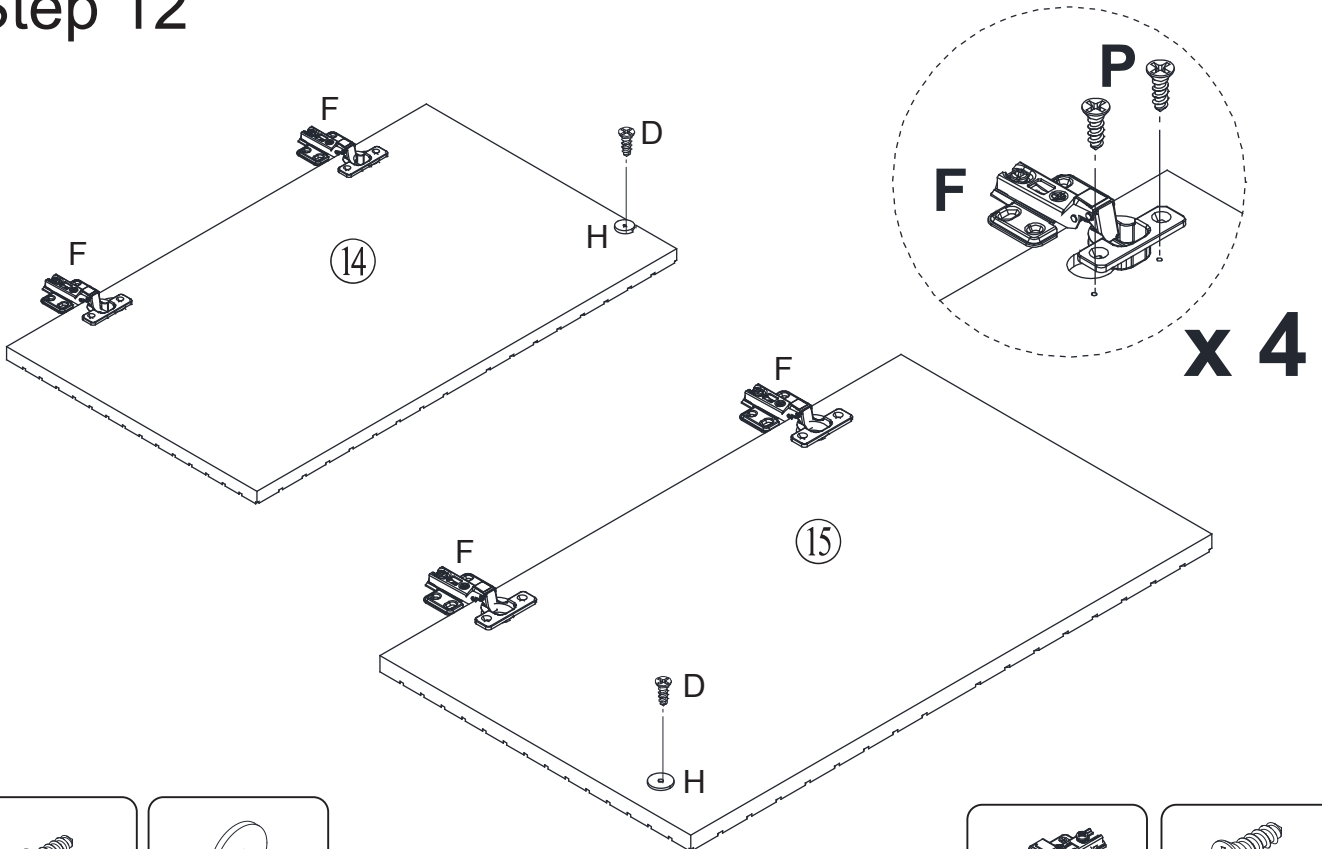
Step 10



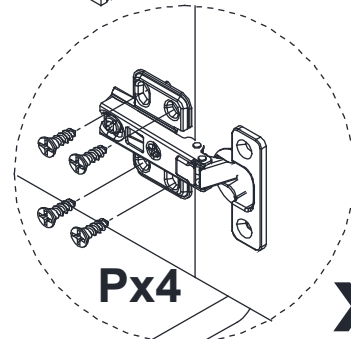
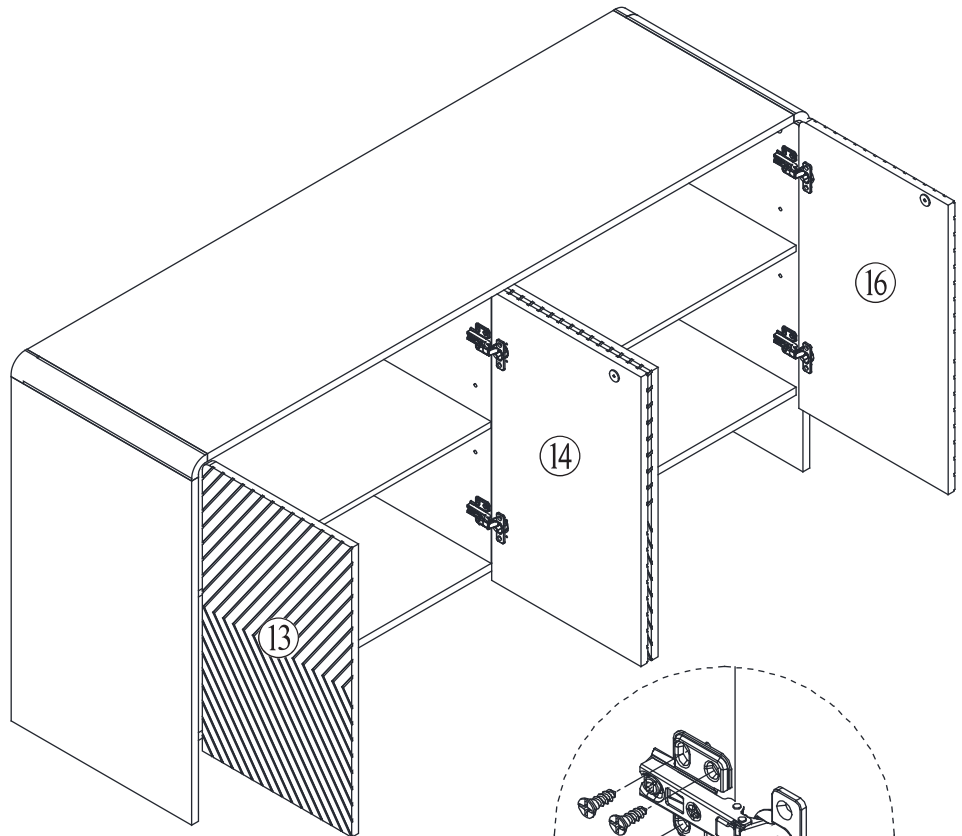
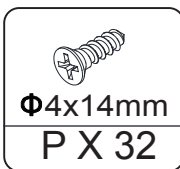
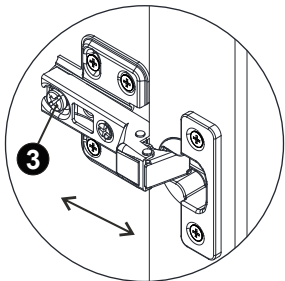
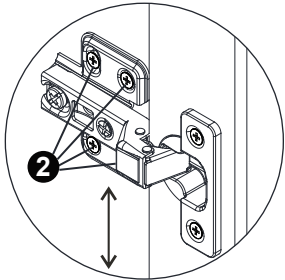
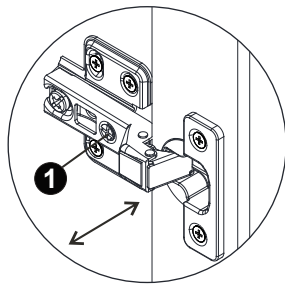
Step 11



Step 12

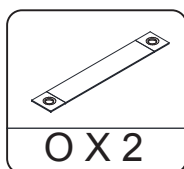
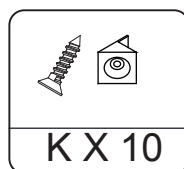
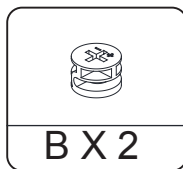
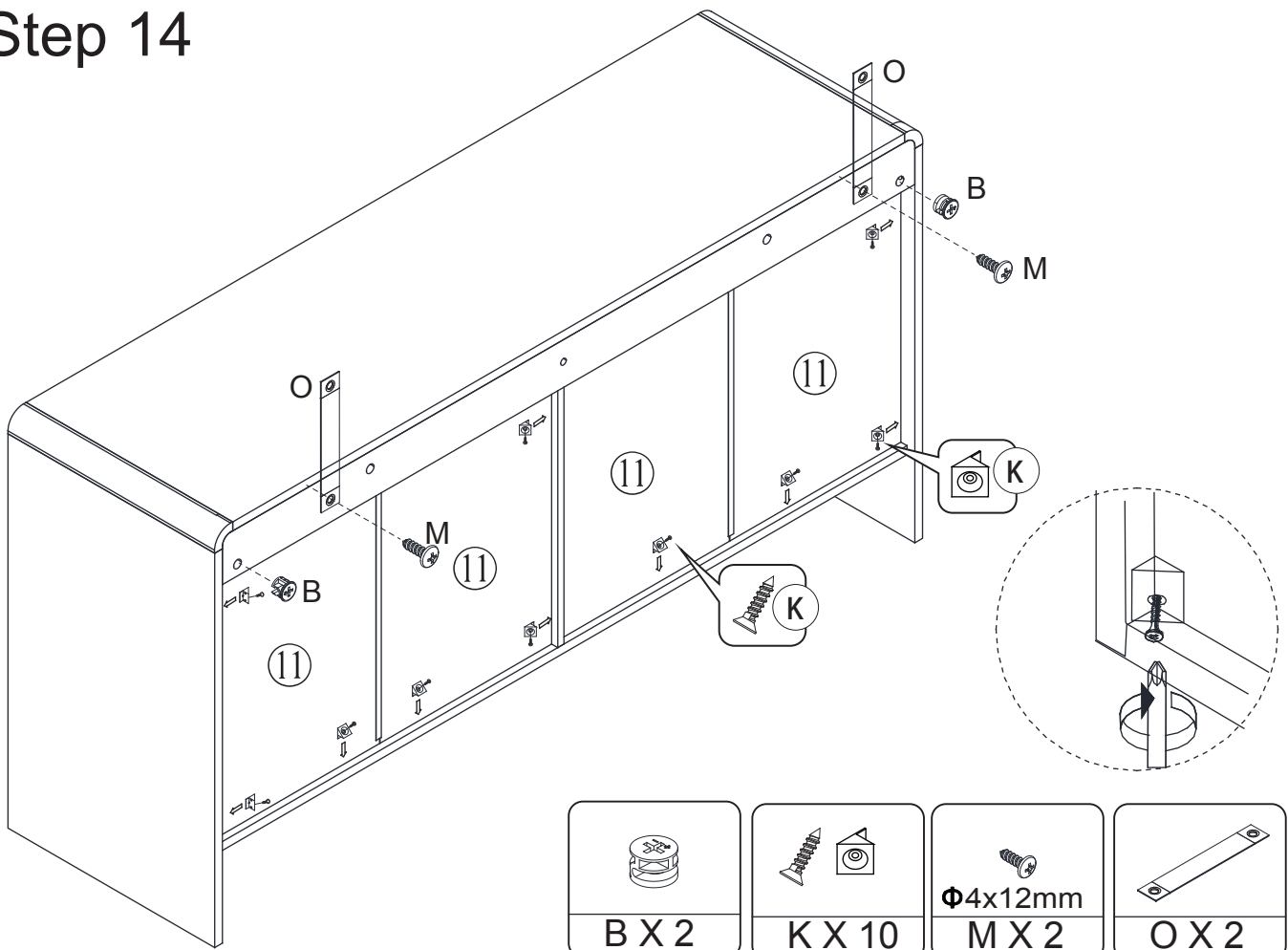


Step 13

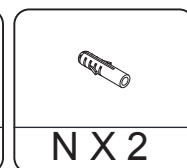
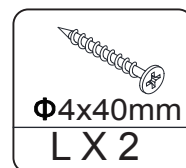
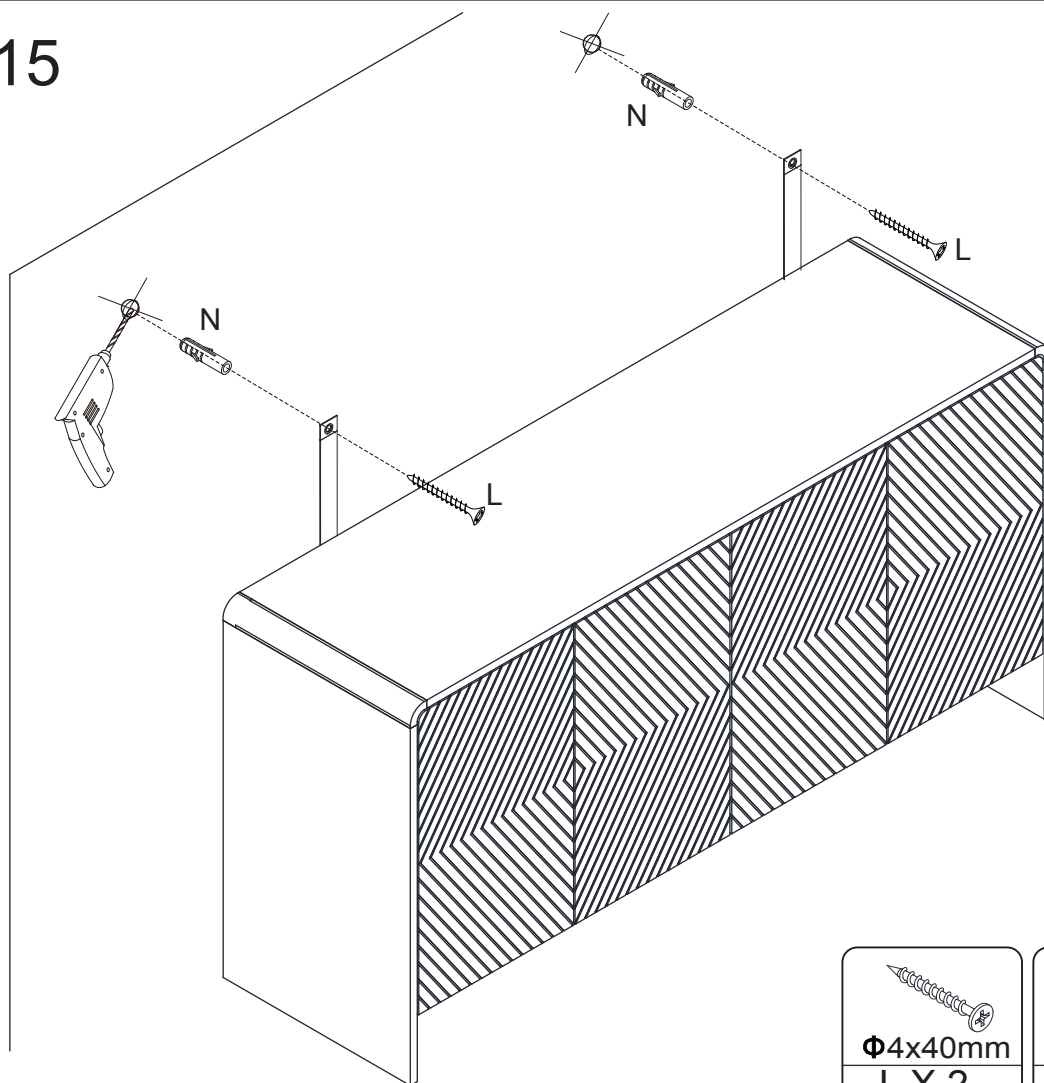


x 8

Step 14



Step 15



Step 16

