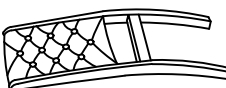


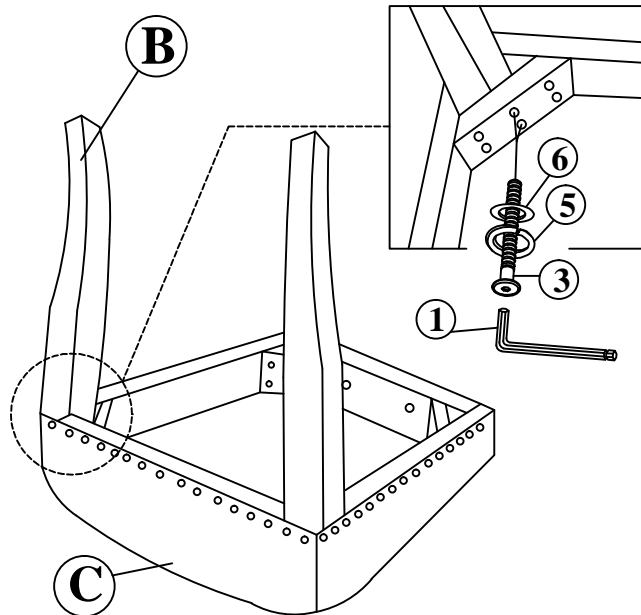


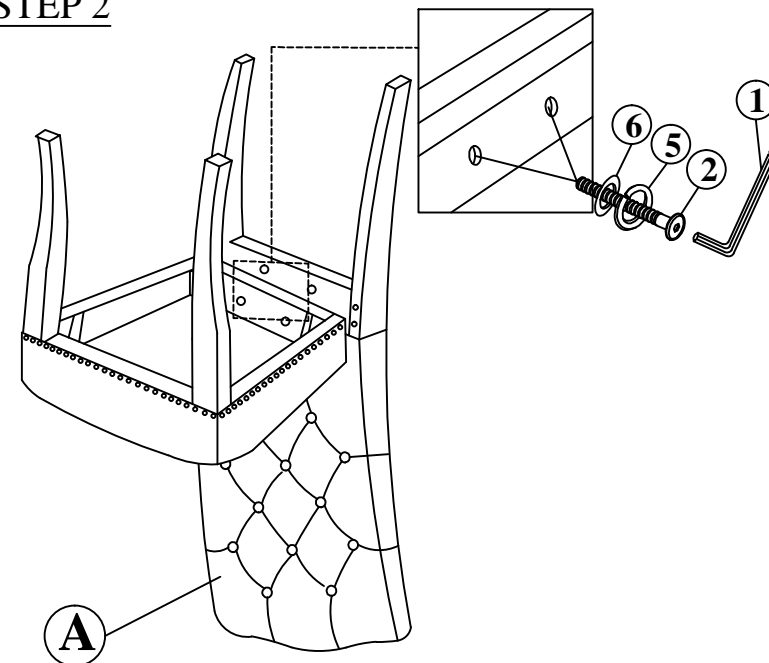
Model: C-8079

NO	PART LIST	QTY
A	 BACK REST	1 PC
B	 LEG	2 PCS
C	 BOX SEAT	1 PC

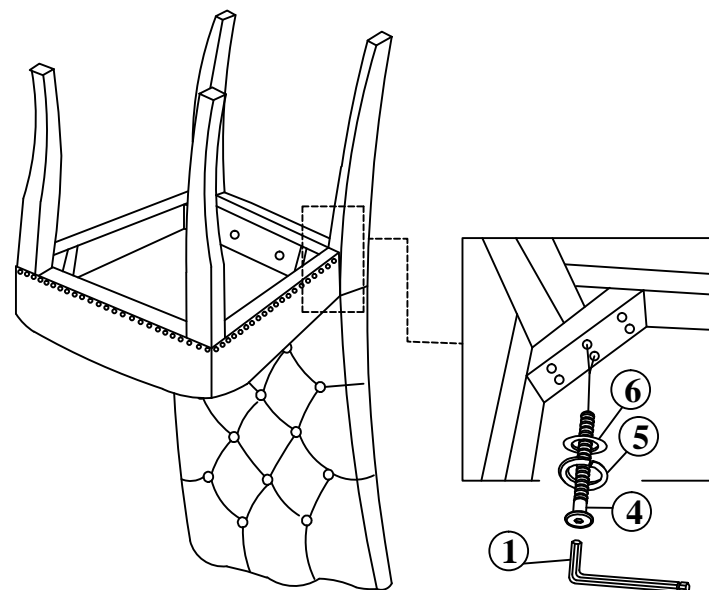
STEP 1



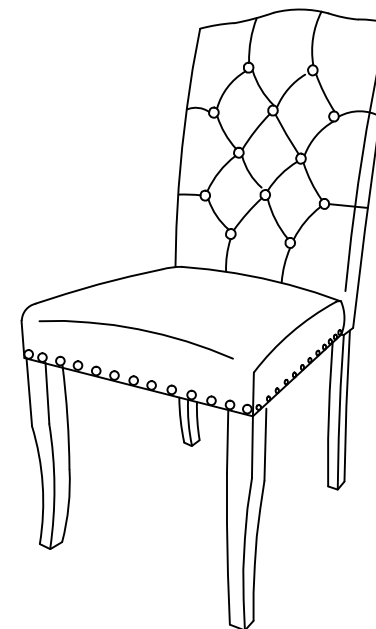
STEP 2









STEP 3



STEP 4



NO	HARDWARE LIST	QTY
1	 M4 ALLEN KEY	1 PC
2	 JCBC SCREW M6 x 40MM	2 PCS
3	 JCBC SCREW M6 x 60MM	4 PCS
4	 JCBC SCREW M6 x 80MM	4 PCS
5	 SPRING WASHER	10 PCS
6	 FLAT WASHER	10 PCS