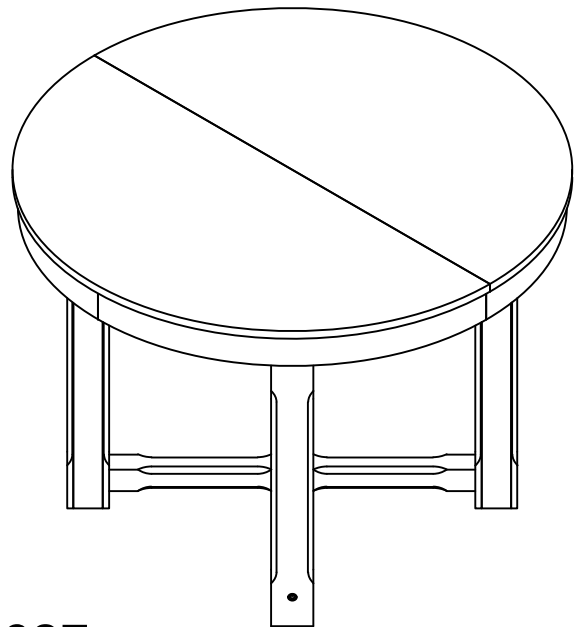
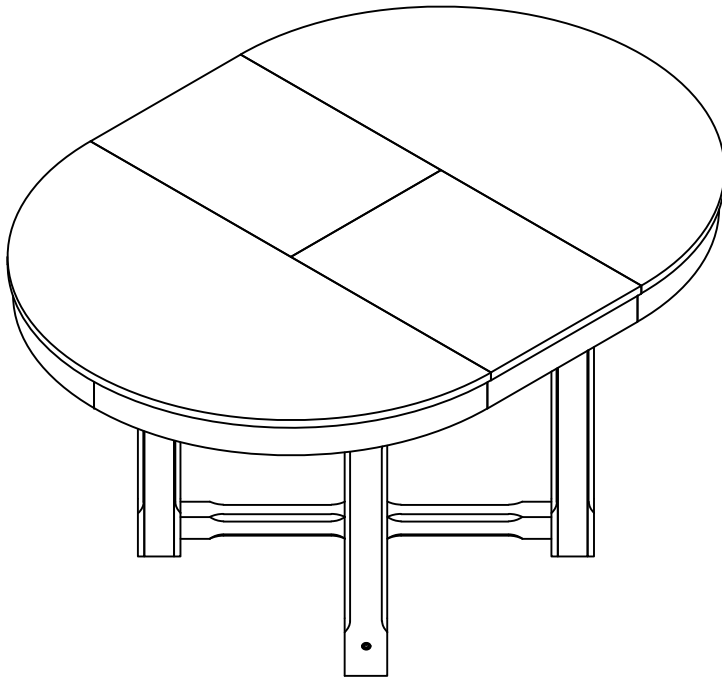


ASSEMBLY INSTRUCTIONS

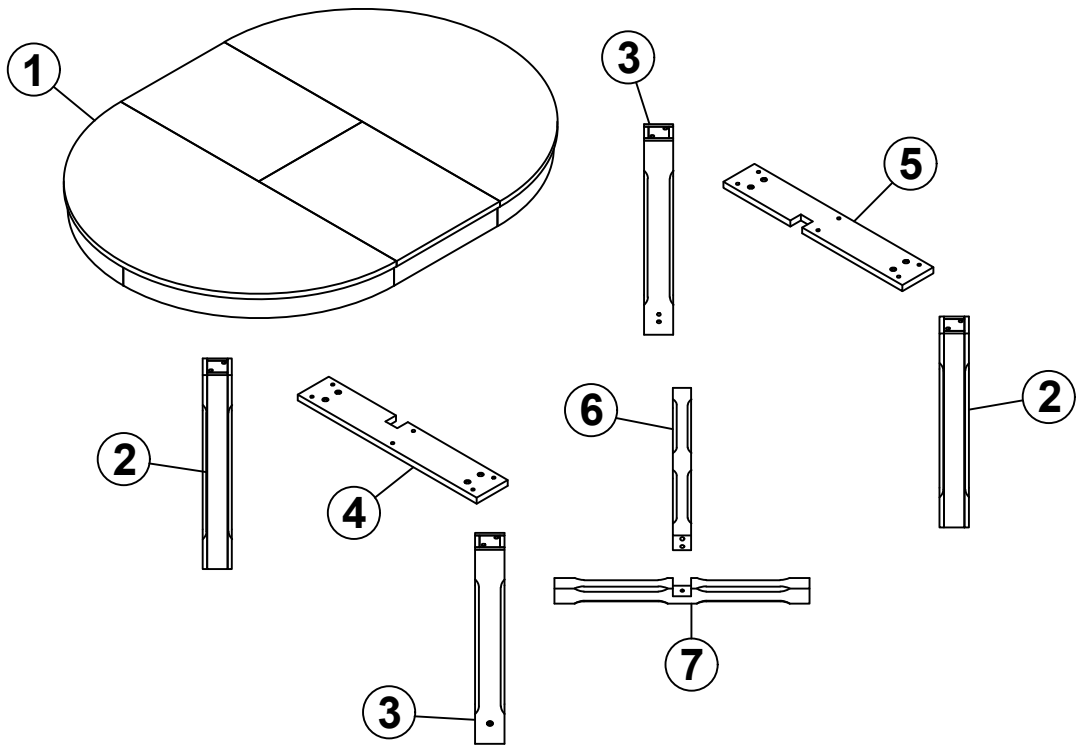
DINING TABLE



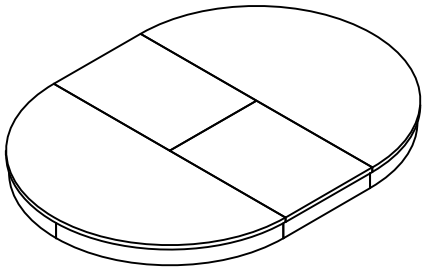
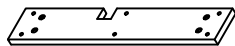
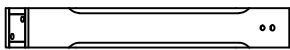

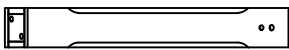


WF302627

IMPORTANT NOTE :

- ① PLACE ALL PARTS ON A CLEAN AND SMOOTH SURFACE SUCH AS A RUG OR CARPET TO AVOID THE PARTS FROM BEING SCRATCHED.
- ② BEFORE YOU BEGIN , KINDLY FOLLOW THE ASSEMBLY INSTRUCTIONS STEP BY STEP.
- ③ DO NOT TIGHTEN ALL SCREWS AND BOLTS UNTIL THE TABLE IS FULLY SET-UP




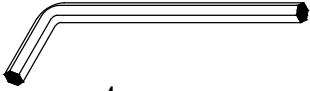



PART LIST

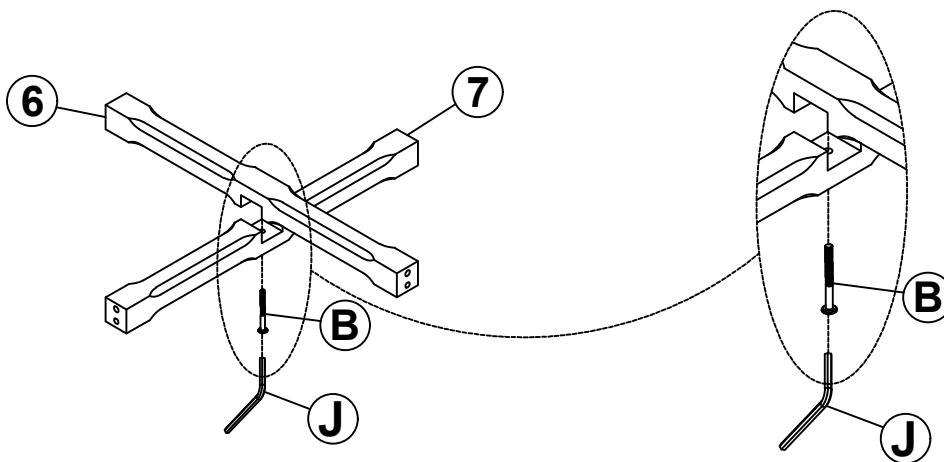
<p>①</p>  <p>TOP TABLE (1pc)</p>	<p>④</p>  <p>CROSSBAR (1pc)</p>
<p>②</p>  <p>LEGS TABLE (2pcs)</p>	<p>⑤</p>  <p>CROSSBAR (1pc)</p>
<p>③</p>  <p>LEGS TABLE (2pcs)</p>	<p>⑥</p>  <p>STRETCHER (1pc)</p>
<p>LEGS TABLE (2pcs)</p>	<p>⑦</p>  <p>STRETCHER (1pc)</p>

ASSEMBLY INSTRUCTIONS

HARDWARE LIST

<p>A</p>  <p>Ø5/16" x 100mm</p>	<p>D</p>  <p>Ø1/4" x 15mm</p>
<p>BOLT (4pcs)</p>	<p>ADJUSTABLE FEET (4pcs)</p>
<p>B</p>  <p>Ø5/16" x 35mm</p>	<p>J</p>  <p>4mm</p>
<p>BOLT (21pcs)</p>	<p>ALLENKEY (1pc)</p>
<p>C</p>  <p>Ø10" x 40mm</p>	
<p>WOODEN PEGS (4pcs)</p>	

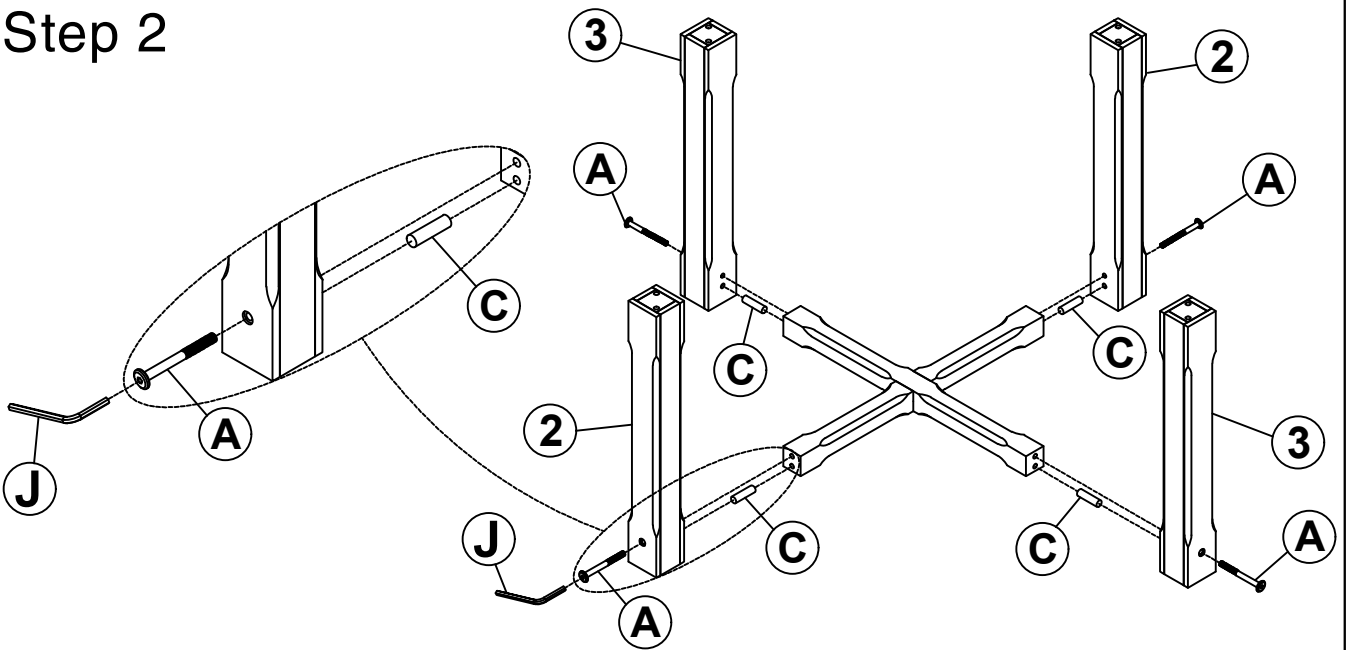
Step 1






J	4x58		1PC	B	5/16x35		1PC
----------	------	---	-----	----------	---------	---	-----

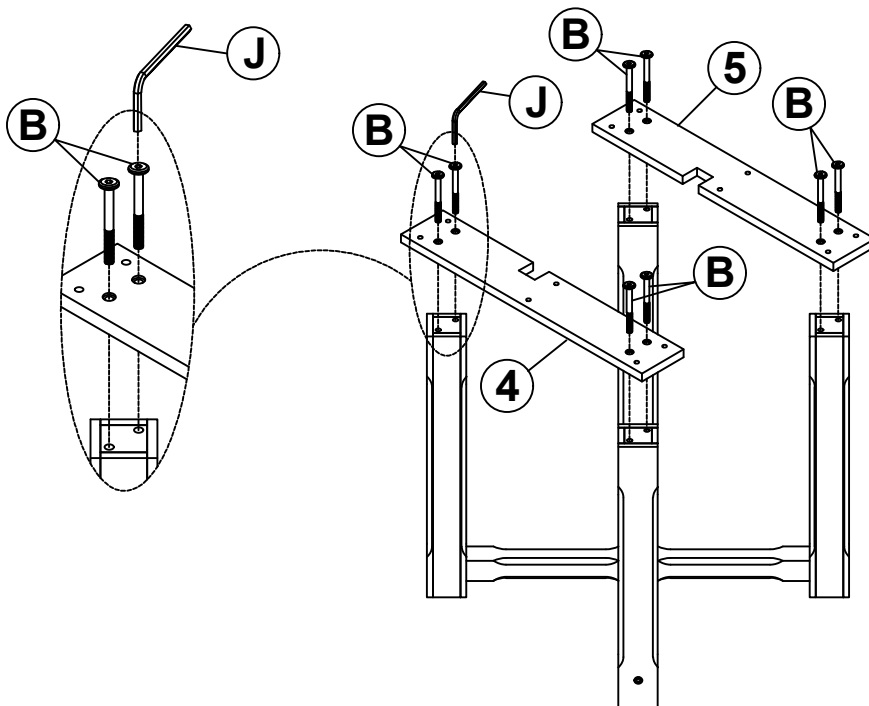
ASSEMBLY INSTRUCTIONS

Step 2



C	Ø10x40		4PCS			
J	4x58		1PC	A	5/16x100	 4PCS

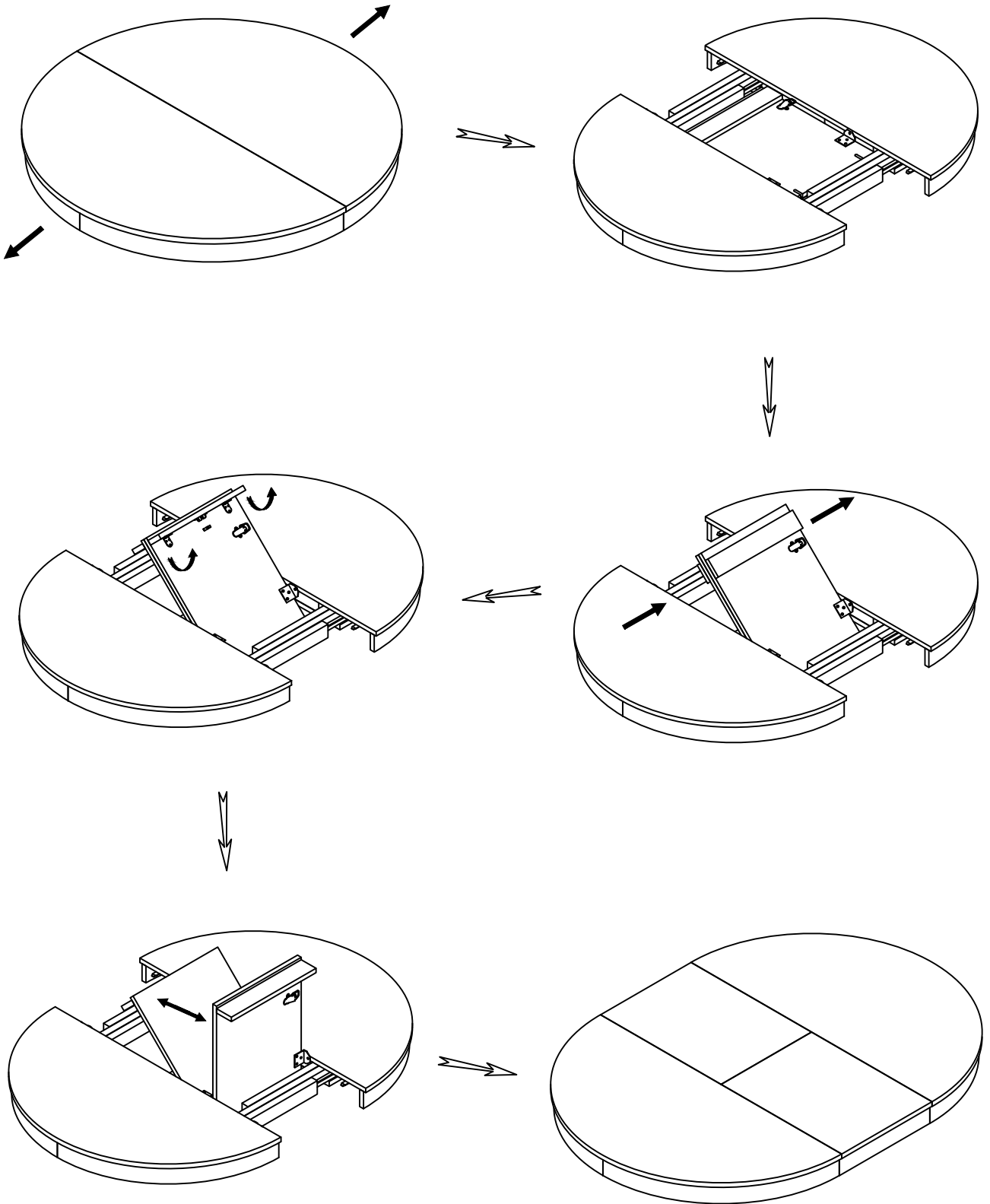
Step 3



J	4x58		1PC	B	5/16x35	 8PCS
----------	------	---	-----	----------	---------	--

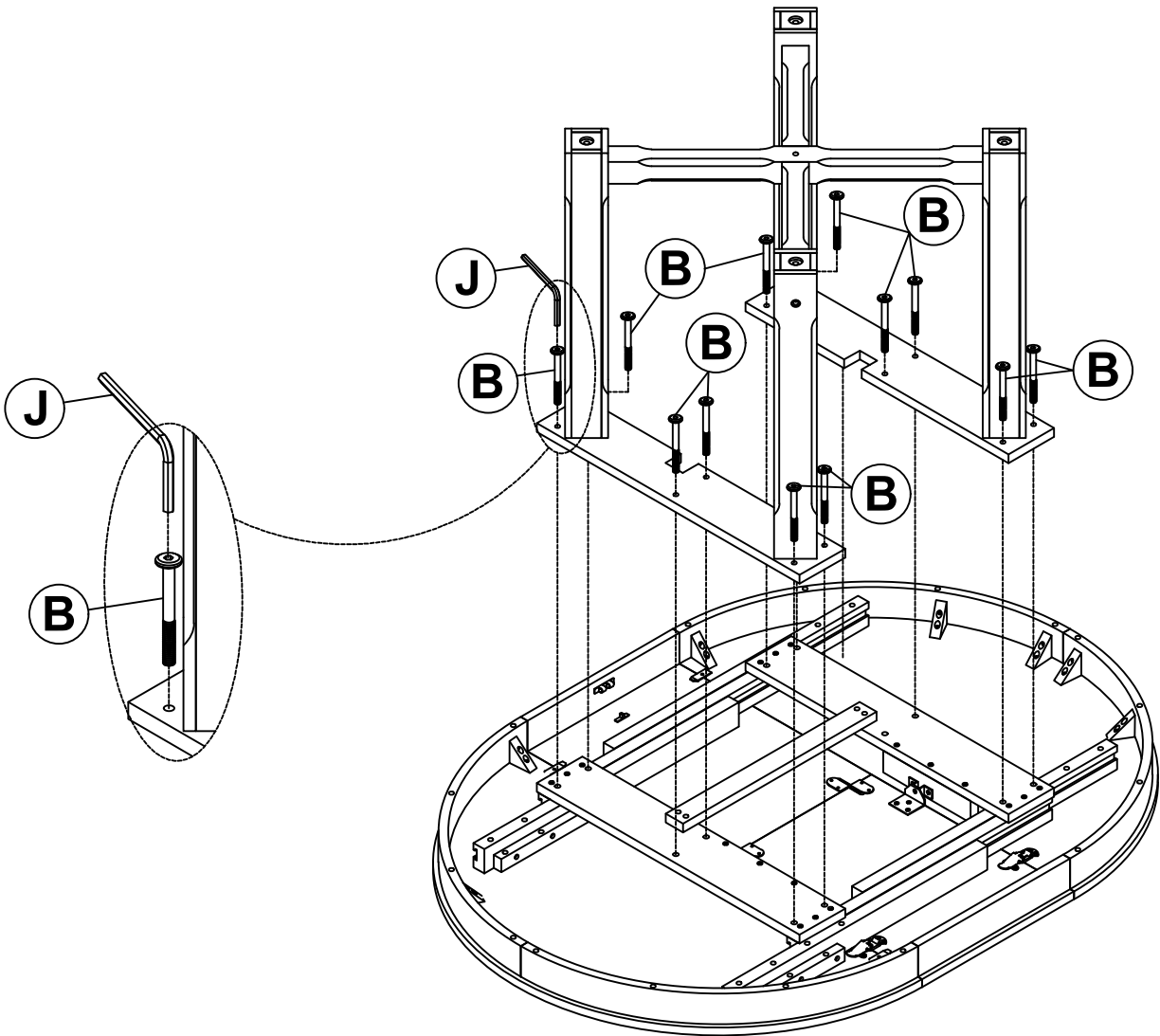
ASSEMBLY INSTRUCTIONS

Step 4



ASSEMBLY INSTRUCTIONS

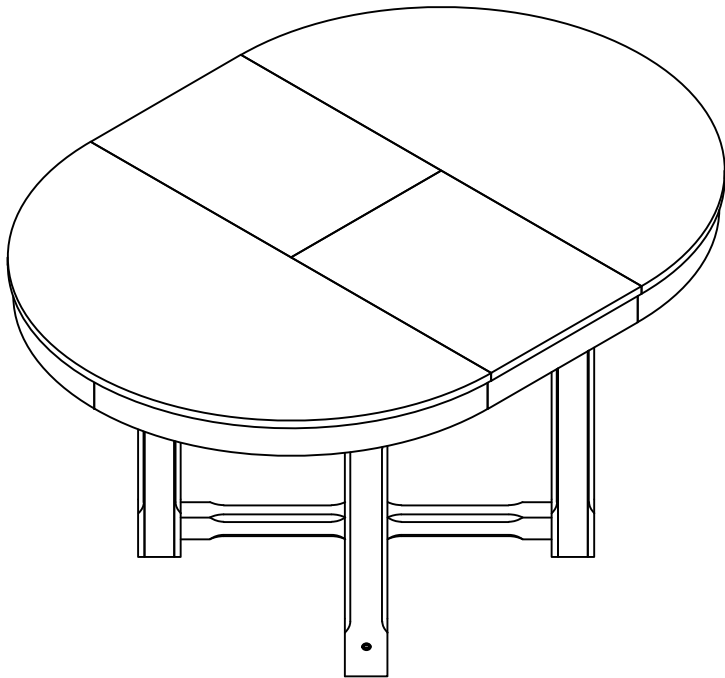
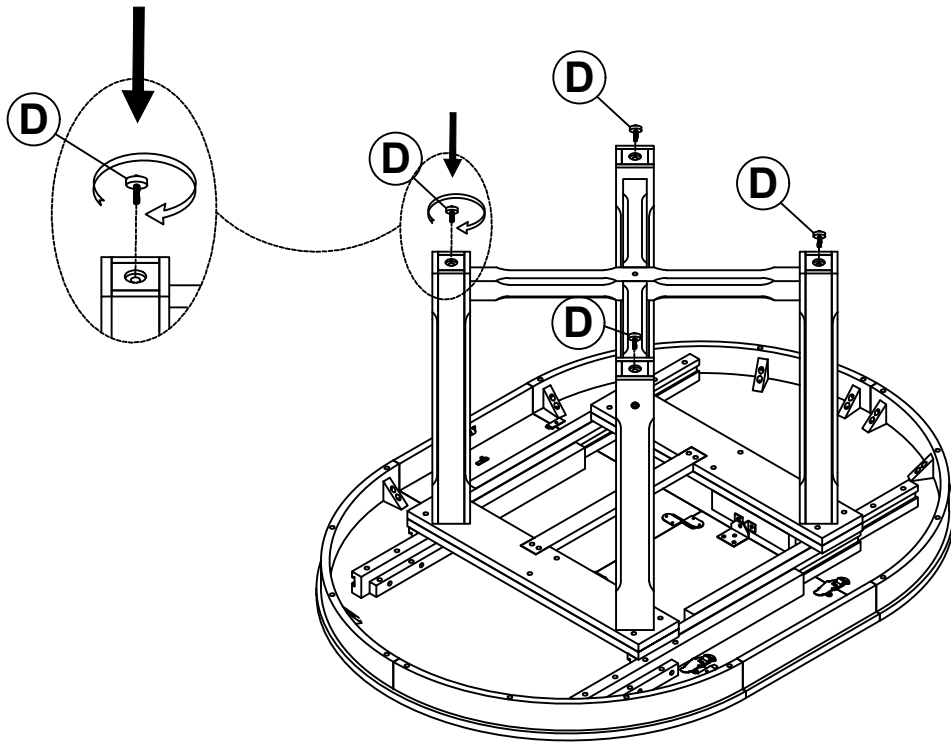
Step 5



J	4x58		1PC	B	5/16x35		12PCS
----------	------	---	-----	----------	---------	---	-------

ASSEMBLY INSTRUCTIONS

Step 6



D

1/4x15



4PCS