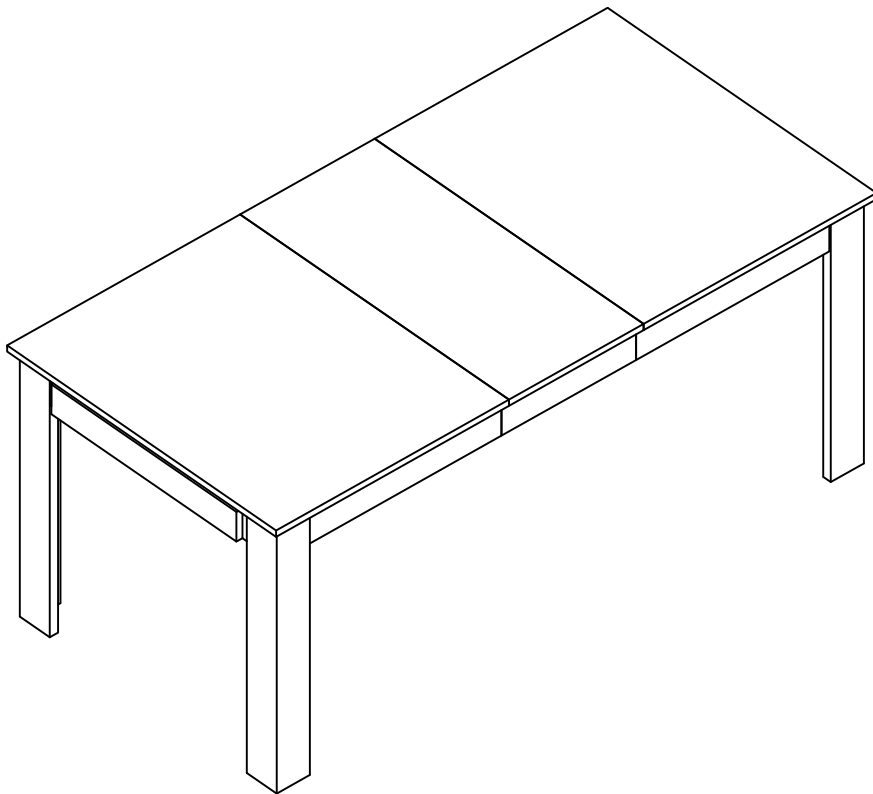


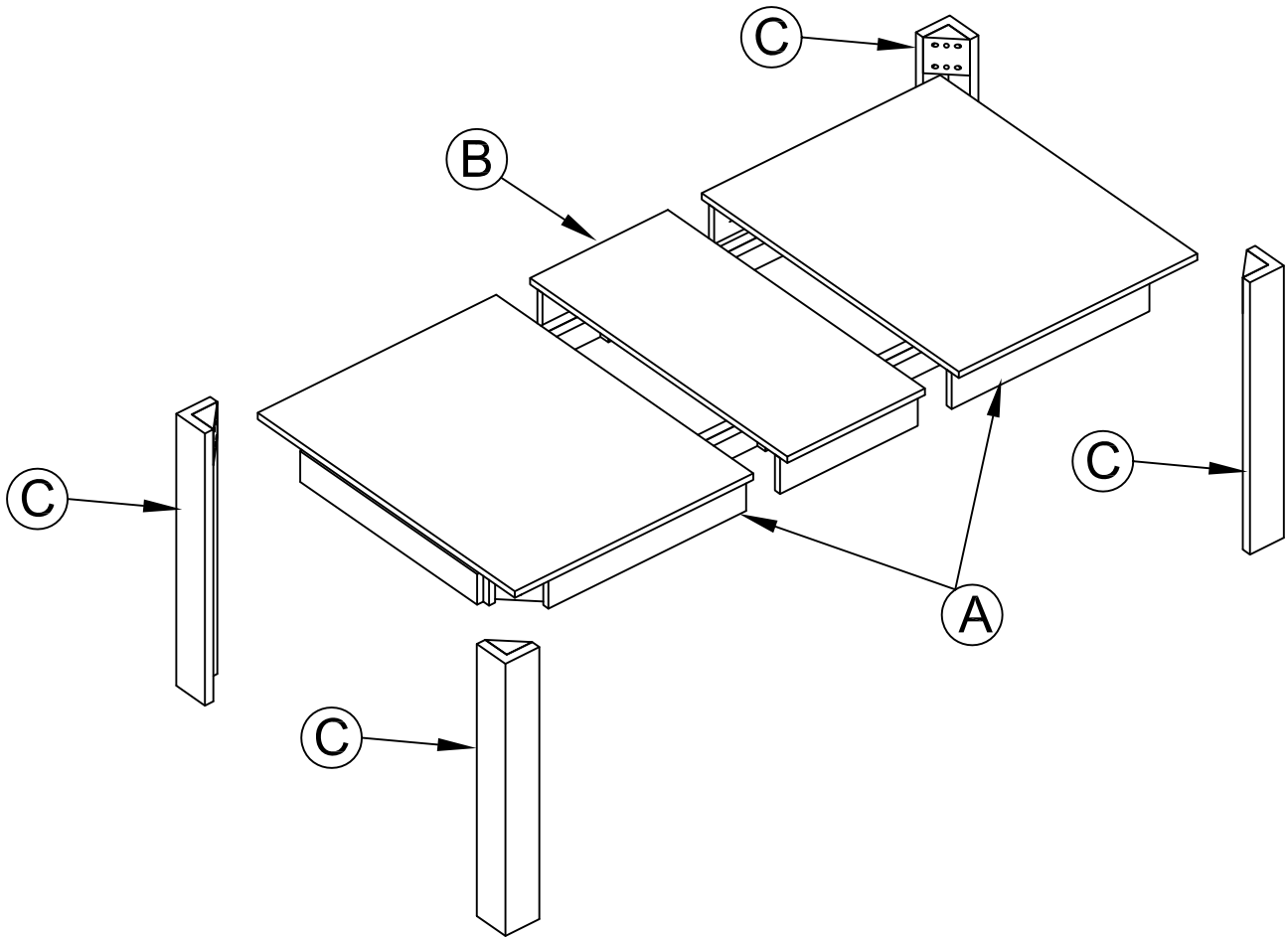
ASSEMBLY INSTRUCTIONS

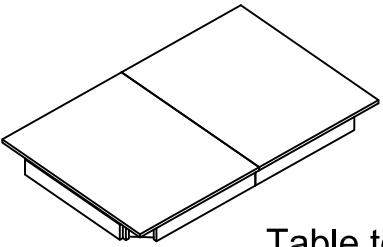
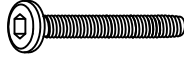


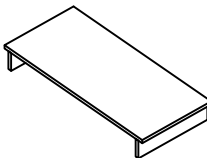

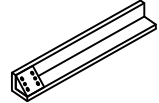
**ITEM NOTE: WF302052
DINING TABLE**



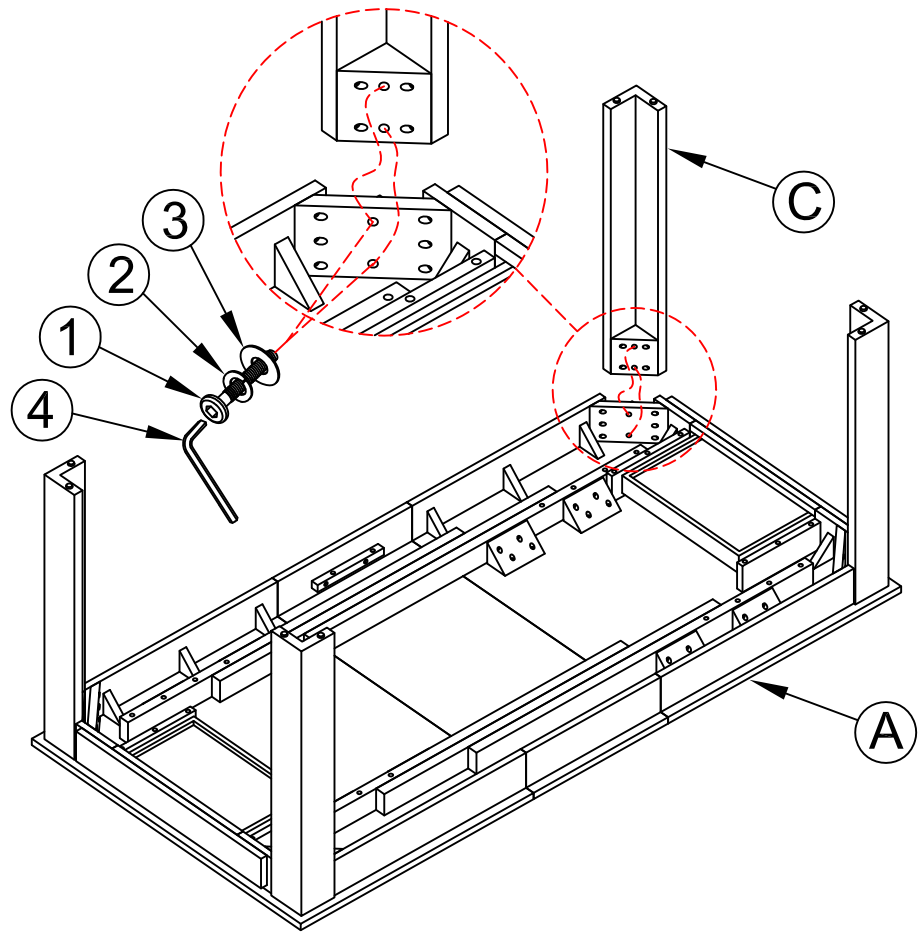
IMPORTANT NOTE :

- 1 PLACE ALL PARTS ON A CLEAN AND SMOOTH SURFACE SUCH AS A RUG OR CARPET TO AVOID THE PARTS FROM BEING SCARTCHED .
- 2 BEFORE YOU BEGIN , KINDLY FOLLOW THE ASSEMBLY INSTRUCTIONS STEP BY STEP
- 3 DO NOT TIGHTEN ALL SCREWS AND BOLTS UNTILL THE TABLE FULLY SET-UP



Part List For One			Hardware List For One		
No.	Hardware Description	Q'ty	No.	Hardware Description	Q'ty
A	 Table top	1pc	1	 Bolt $\text{Ø}5/16'' \times 50\text{mm}$	8pcs
			2	 Lock washer $\text{Ø}5/16'' \times 13 \times 1.5\text{mm}$	8pcs
			3	 Flat washer $\text{Ø}5/16'' \times 16 \times 1.5\text{mm}$	8pcs
B	 Table leaf	1pc	4	 Allen key 4 x 60 mm	1pc
C	 Table Leg	4pcs			

Step 1



Step 2

