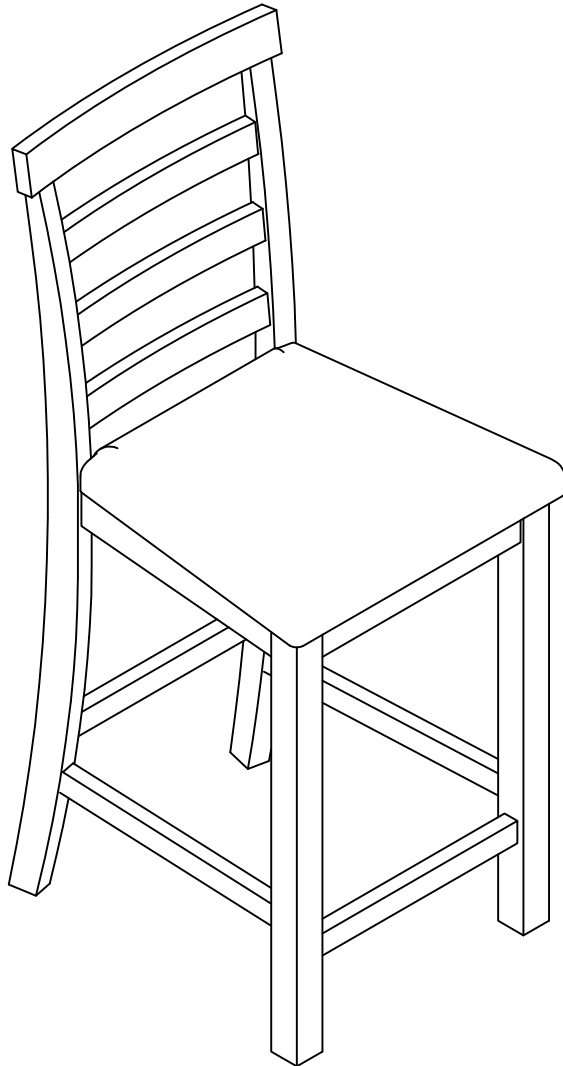


# ASSEMBLY INSTRUCTIONS

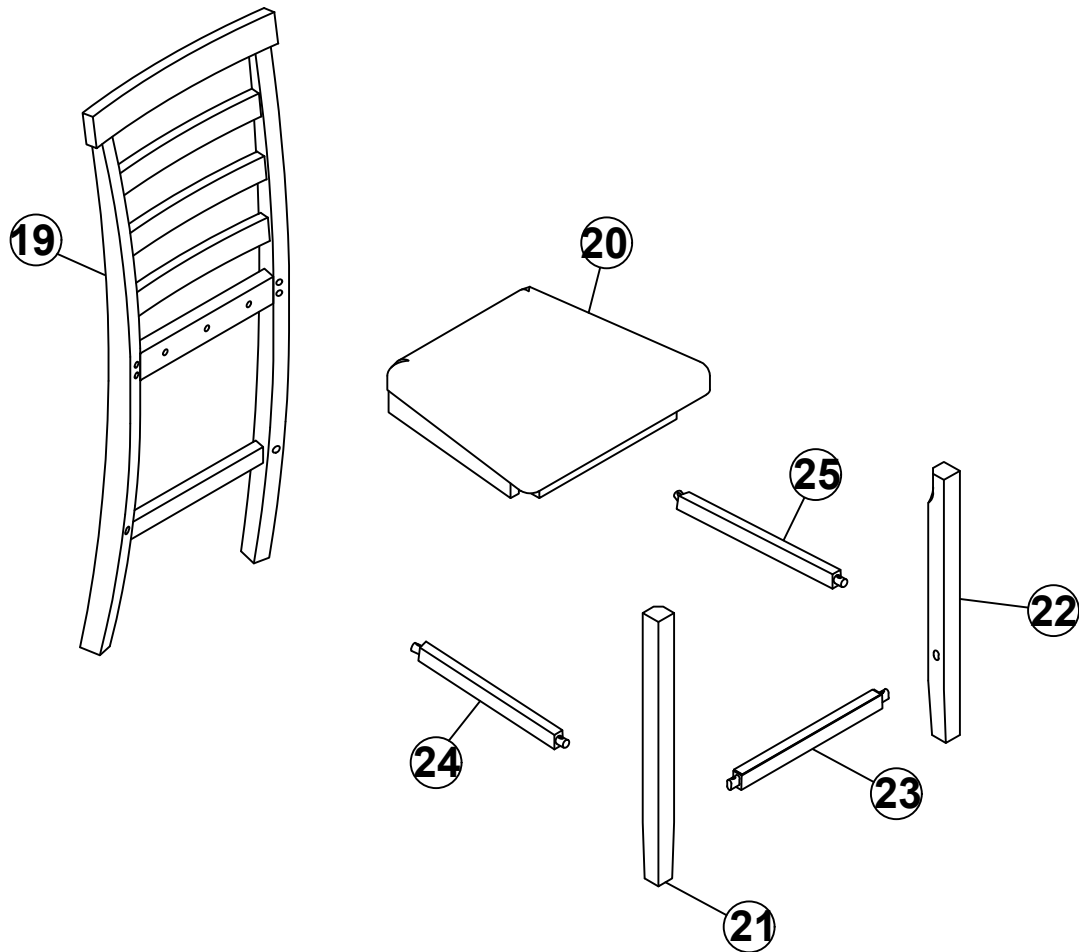
## DINING CHAIRS



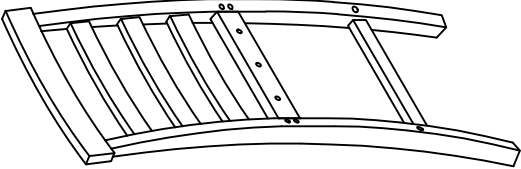
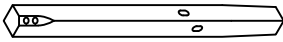
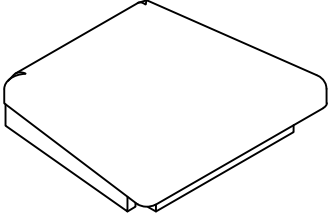
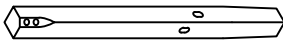
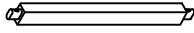
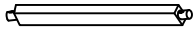
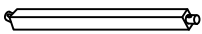
WF301501

**IMPORTANT NOTE :**

- 1 PLACE ALL PARTS ON A CLEAN AND SMOOTH SURFACE SUCH AS A RUG OR CARPET TO AVOID THE PARTS FROM BEING SCRATCHED.**
- 2 BEFORE YOU BEGIN , KINDLY FOLLOW THE ASSEMBLY INSTRUCTIONS STEP BY STEP.**
- 3 DO NOT TIGHTEN ALL SCREWS AND BOLTS UNTIL THE CHAIR IS FULLY SET-UP**








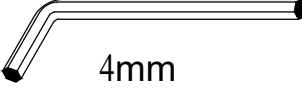


## Part List For One Chair

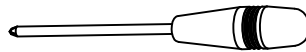
<p><b>19</b></p>  <p>BACK FRAME (1pc)</p>	<p><b>21</b></p>  <p>LEFT CHAIR LEG(1pc)</p>
<p><b>20</b></p>  <p>SEAT FRAME (1pc)</p>	<p><b>22</b></p>  <p>RIGHT CHAIR LEG(1pc)</p>
	<p><b>23</b></p>  <p>FRONT STRETCHER (1pc)</p>
	<p><b>24</b></p>  <p>LEFT STRETCHER (1pc)</p>
	<p><b>25</b></p>  <p>RIGHT STRETCHER (1pc)</p>

# ASSEMBLY INSTRUCTIONS

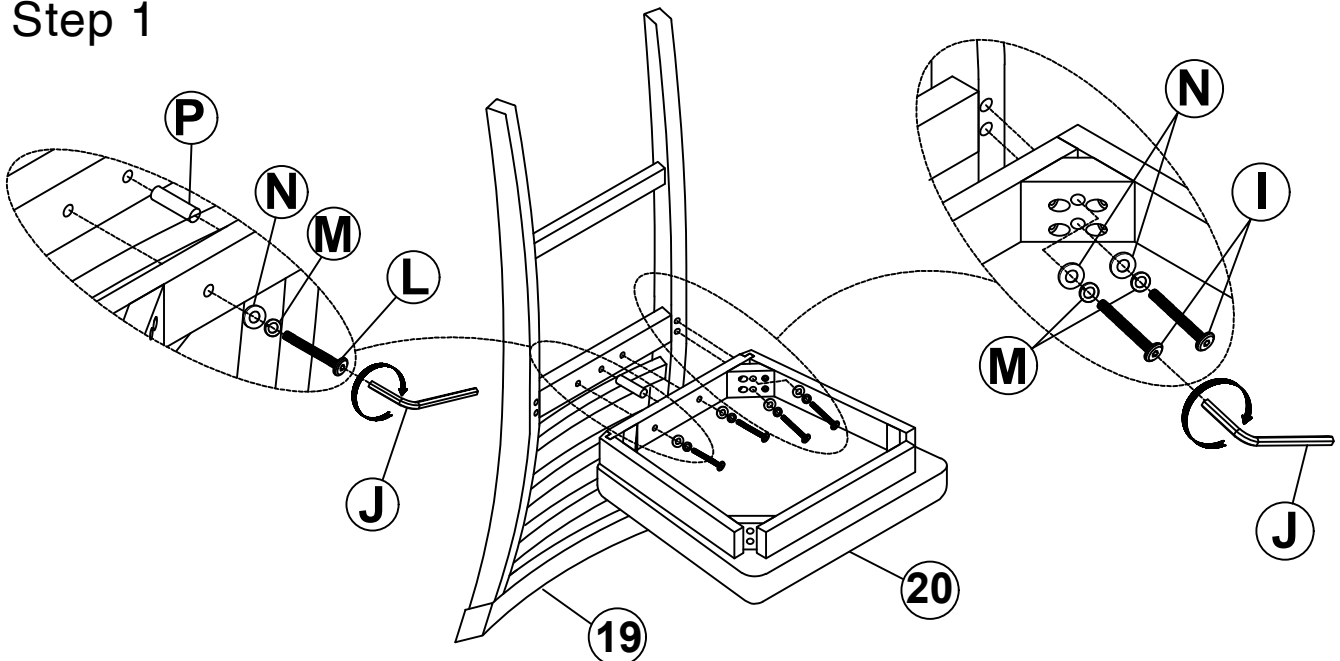
## Hardware List For One Chair







<b>I</b>	 Ø1/4" x 75mm BOLT (4pcs)	<b>N</b>	 Ø1/4" x 19mm FLAT WASHER (10pcs)
<b>K</b>	 Ø1/4" x 55mm BOLT (4pcs)	<b>O</b>	 Ø4" x 38mm SCREW (6pcs)
<b>L</b>	 Ø1/4" x 35mm BOLT (2pcs)	<b>P</b>	 Ø10" x 30mm WOODEN PEGS (1pc)
<b>M</b>	 Ø1/4" x 13mm SPRING WASHER (10pcs)	<b>J</b>	 4mm ALLENKEY (1pc)

### ASSEMBLY TOOLS REQUIRED ( NOT INCLUDED )



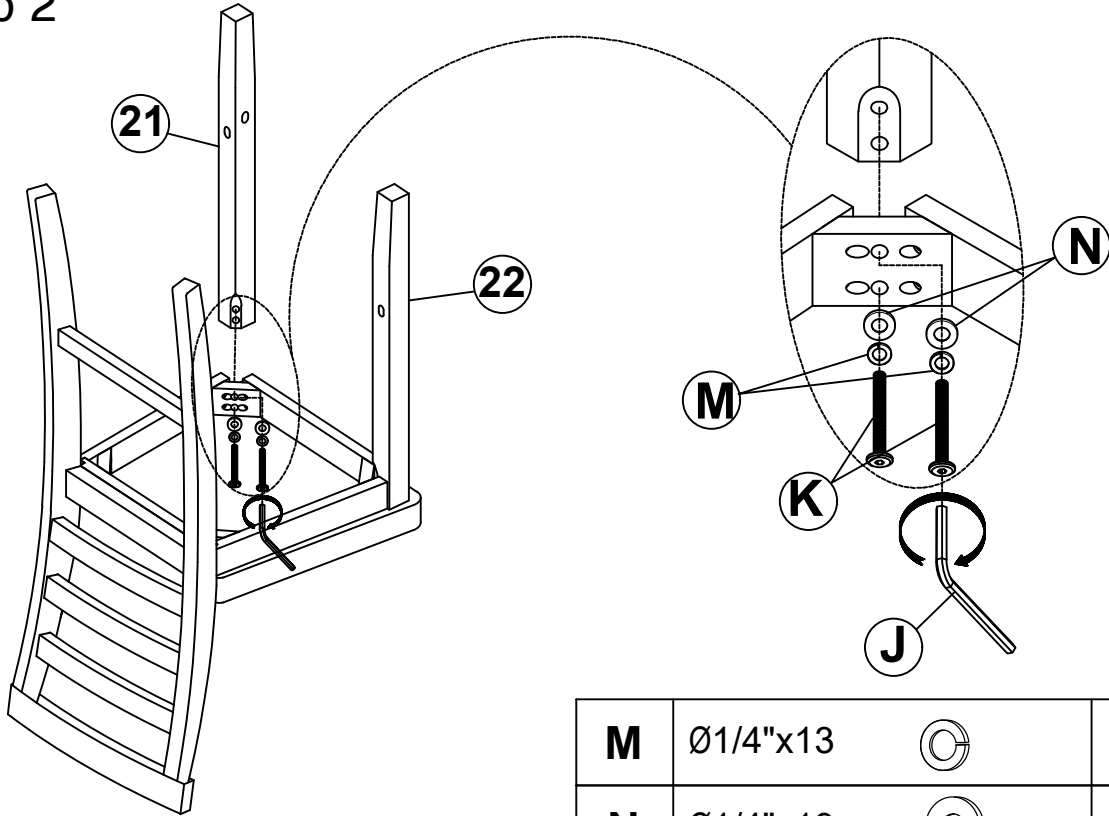
### Step 1







<b>P</b>	Ø10x30		1PC	<b>M</b>	1/4"x13		6PCS
<b>I</b>	1/4"x75		4PCS	<b>N</b>	1/4"x19		6PCS
<b>L</b>	1/4"x35		2PCS	<b>J</b>	4x58		1PC

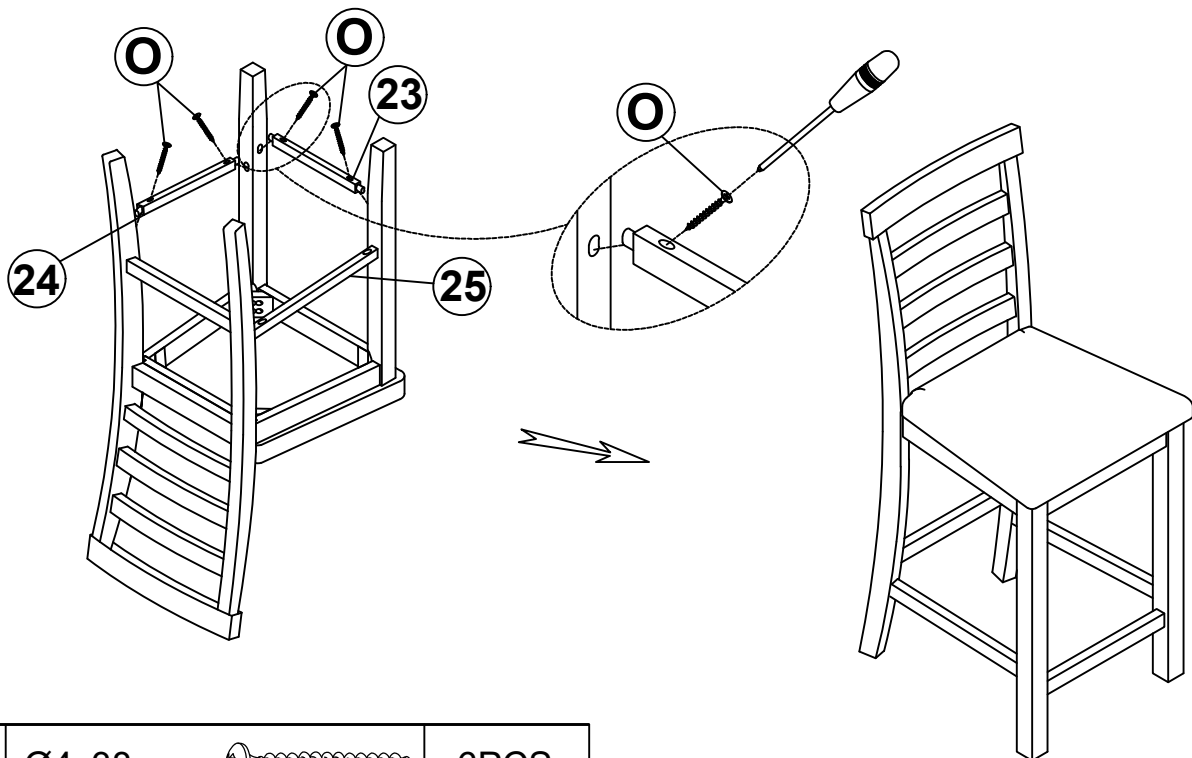
# ASSEMBLY INSTRUCTIONS


## Step 2



<b>M</b>	Ø1/4"x13		4PCS
<b>N</b>	Ø1/4"x19		4PCS
<b>K</b>	1/4x55		4PCS
<b>J</b>	4x58		1PC

## Step 3



<b>O</b>	Ø4x38		6PCS
----------	-------	---	------