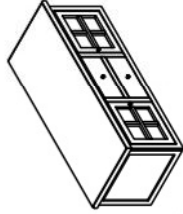
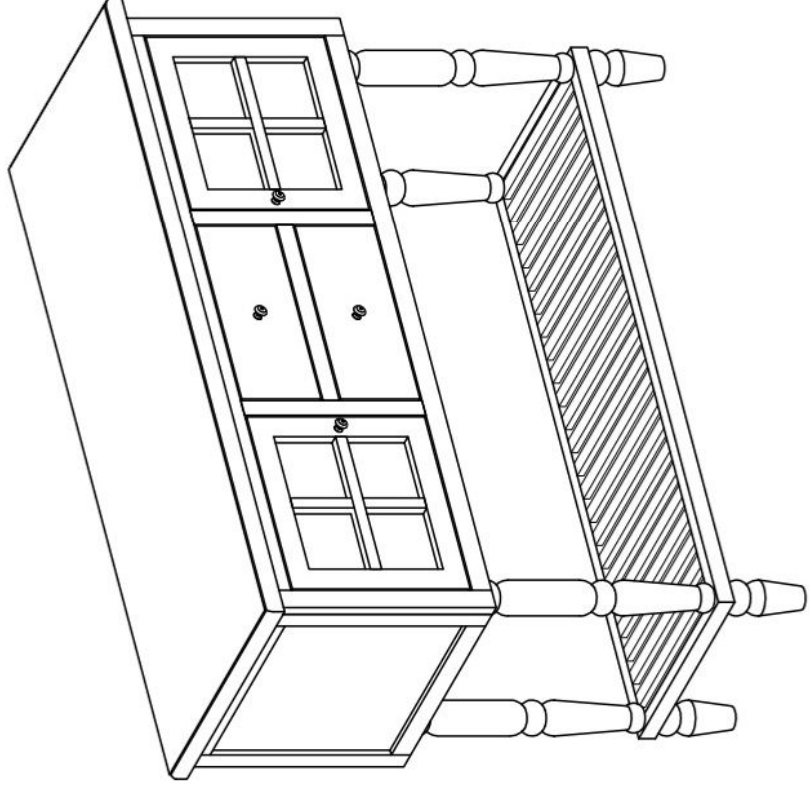


# ASSEMBLY INSTRUCTIONS



(A) : 1 PC



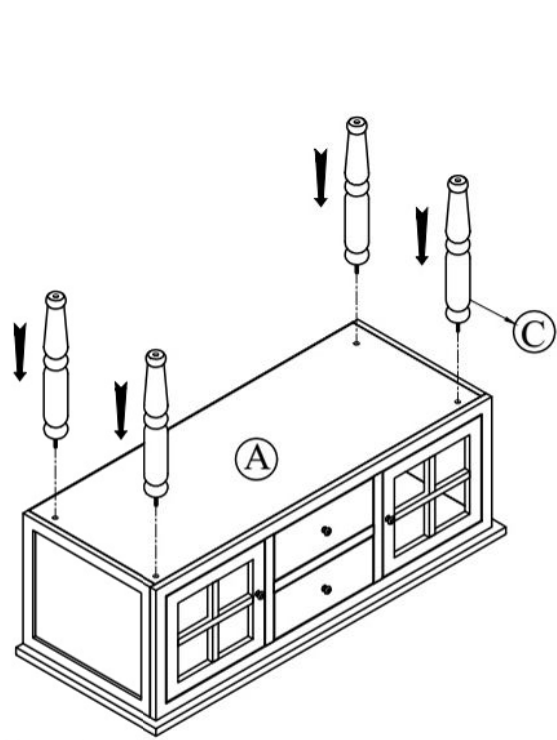
(B) : 1 PC



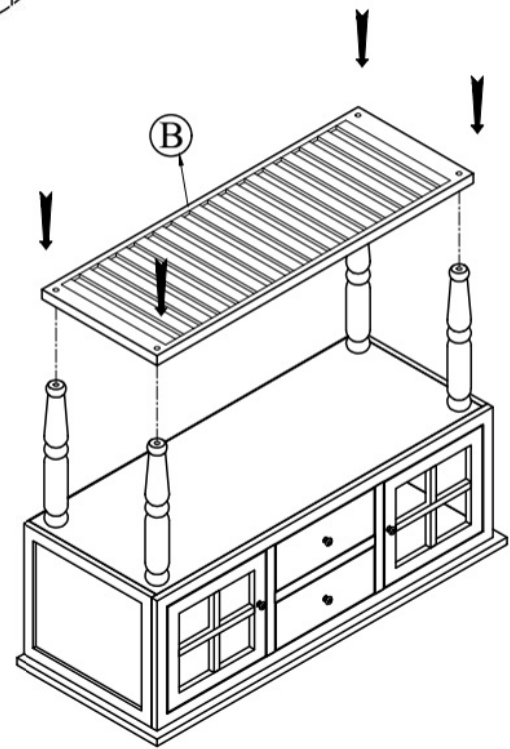
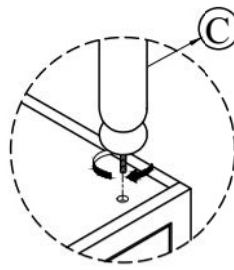
(C) : 4 PCS



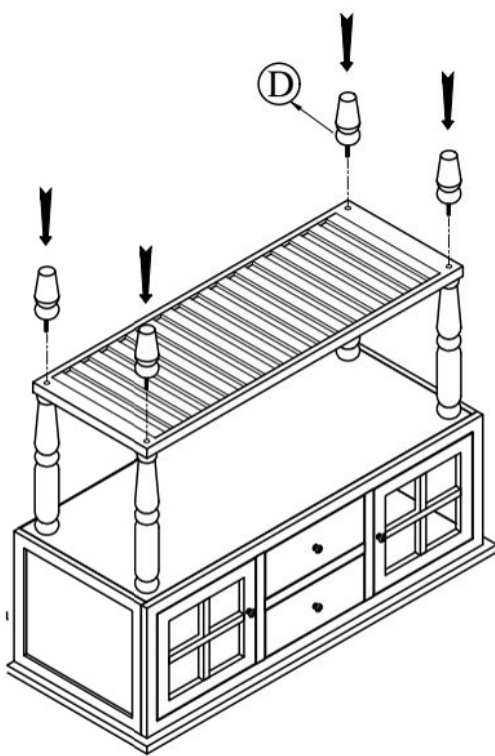
(D) : 4 PCS



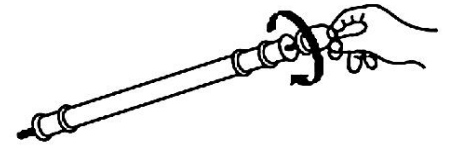
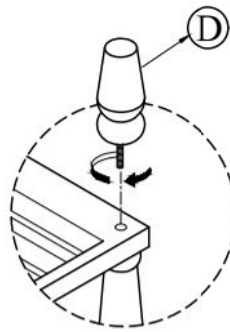
Step 1



Step 2



Step 3



We are use the hands to turn the base of the legs cabinet counterclockwise

