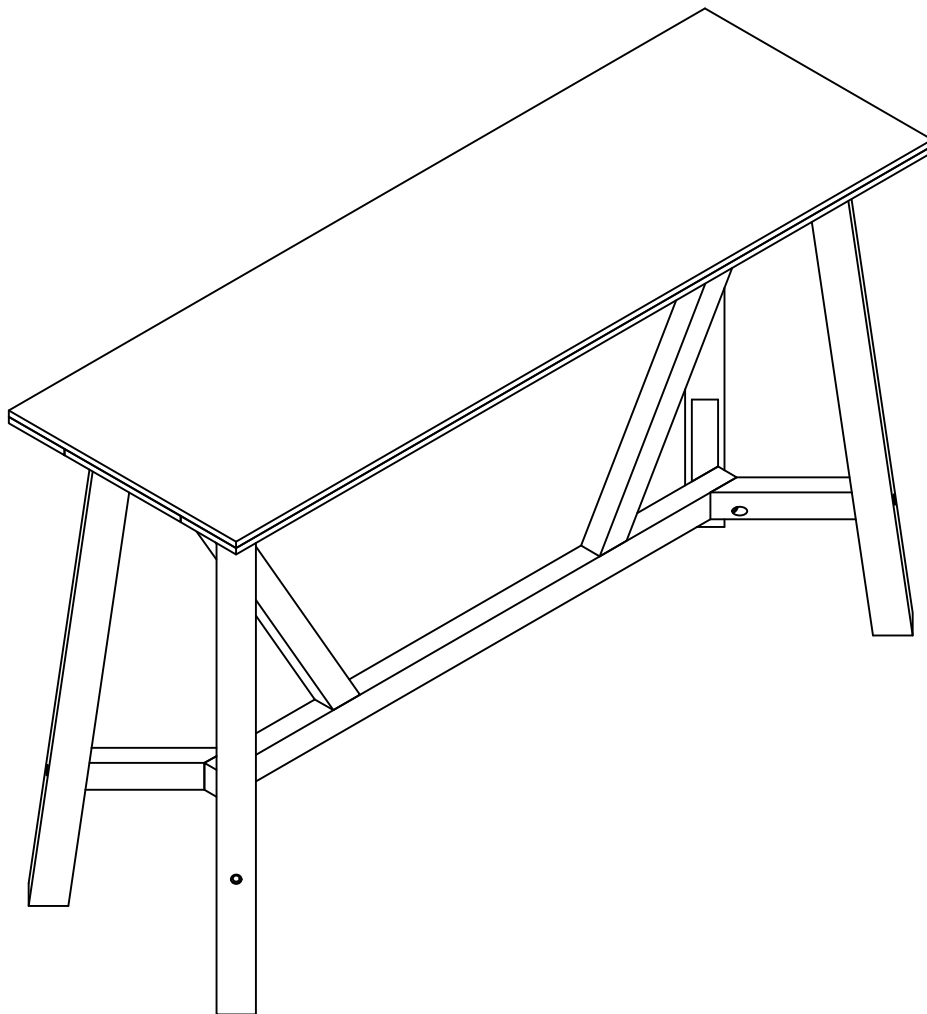


ASSEMBLY INSTRUCTIONS

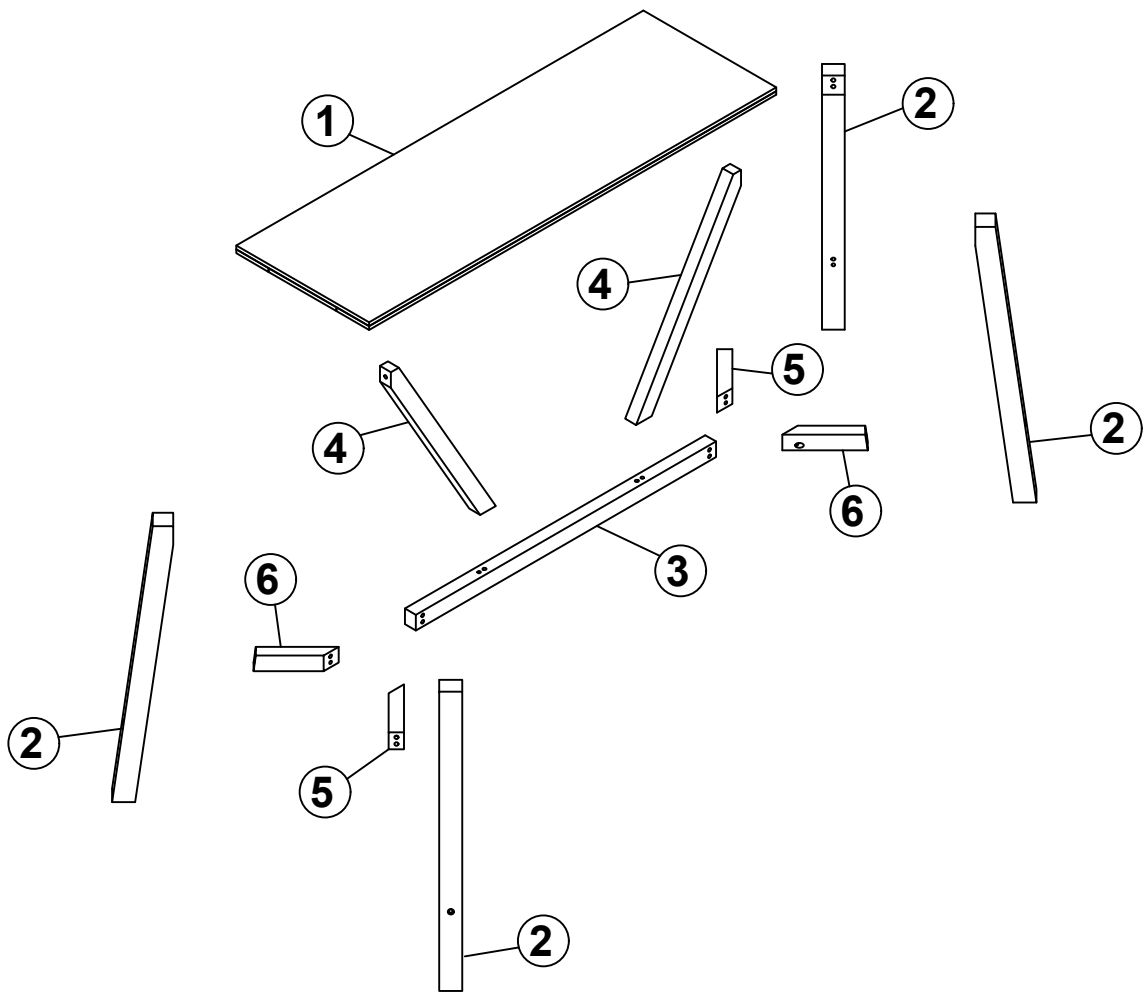
DINING TABLE



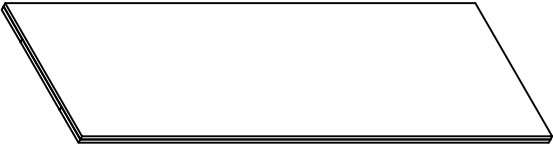
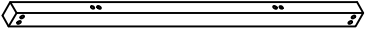
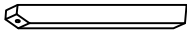
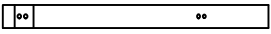
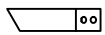
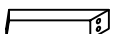
WF298919

IMPORTANT NOTE :

- 1 PLACE ALL PARTS ON A CLEAN AND SMOOTH SURFACE SUCH AS A RUG OR CARPET TO AVOID THE PARTS FROM BEING SCRATCHED.**
- 2 BEFORE YOU BEGIN , KINDLY FOLLOW THE ASSEMBLY INSTRUCTIONS STEP BY STEP.**
- 3 DO NOT TIGHTEN ALL SCREWS AND BOLTS UNTIL THE TABLE IS FULLY SET-UP**






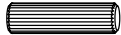



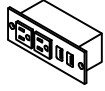


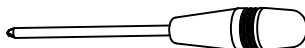
PART LIST

<p>①</p>  <p>TOP TABLE (1pc)</p>	<p>③</p>  <p>STRETCHER (1pc)</p>
	<p>④</p>  <p>STRETCHER (2pcs)</p>
<p>②</p>  <p>LEGS TABLE (4pcs)</p>	<p>⑤</p>  <p>STRETCHER (2pcs)</p>
	<p>⑥</p>  <p>STRETCHER (2pcs)</p>

ASSEMBLY INSTRUCTIONS

HARDWARE LIST

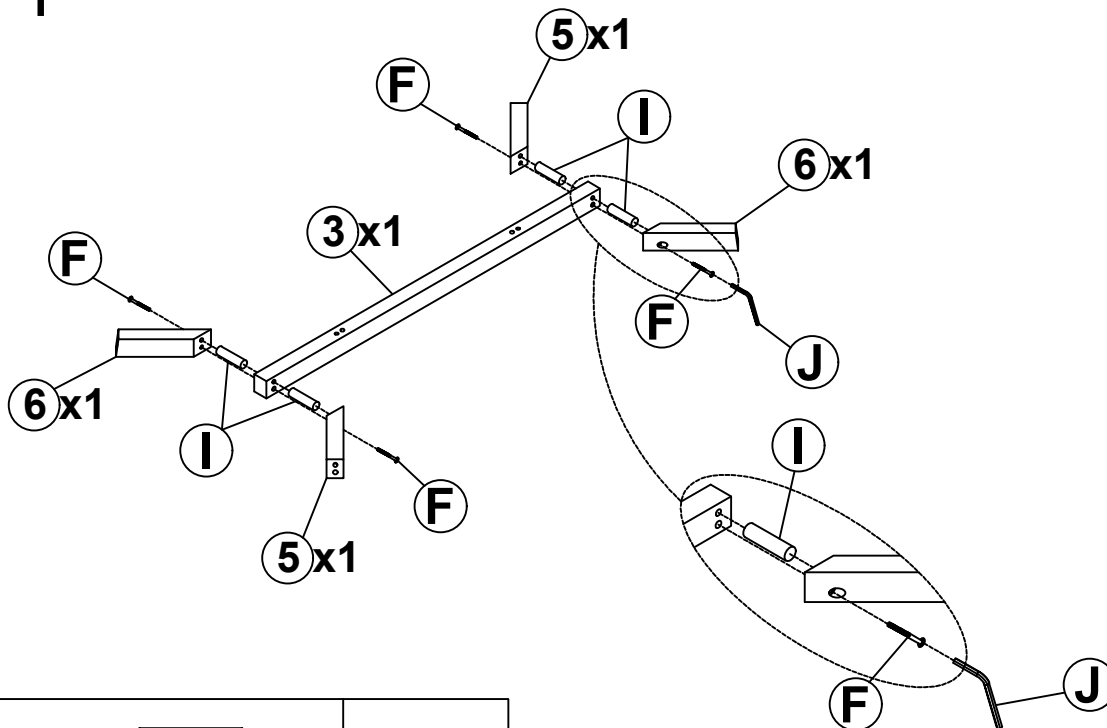
<p style="text-align: center;">B</p> <p style="text-align: center;"></p> <p style="text-align: center;">Ø3.5" x 15mm</p> <p style="text-align: center;">SCREW (2pcs)</p>	<p style="text-align: center;">G</p> <p style="text-align: center;"></p> <p style="text-align: center;">Ø5/16" x 13mm</p> <p style="text-align: center;">SPRING WASHER (8pcs)</p>
<p style="text-align: center;">C</p> <p style="text-align: center;"></p> <p style="text-align: center;">Ø5/16" x 80mm</p> <p style="text-align: center;">BOLT (4pcs)</p>	<p style="text-align: center;">H</p> <p style="text-align: center;"></p> <p style="text-align: center;">Ø5/16" x 19mm</p> <p style="text-align: center;">FLAT WASHER (8pcs)</p>
<p style="text-align: center;">D</p> <p style="text-align: center;"></p> <p style="text-align: center;">Ø5/16" x 70mm</p> <p style="text-align: center;">BOLT (2pcs)</p>	<p style="text-align: center;">I</p> <p style="text-align: center;"></p> <p style="text-align: center;">Ø10" x 30mm</p> <p style="text-align: center;">WOODEN PEGS (10pcs)</p>
<p style="text-align: center;">E</p> <p style="text-align: center;"></p> <p style="text-align: center;">Ø5/16" x 45mm</p> <p style="text-align: center;">BOLT (8pcs)</p>	<p style="text-align: center;">J</p> <p style="text-align: center;"></p> <p style="text-align: center;">4 x 58mm</p> <p style="text-align: center;">ALLENKEY (1pc)</p>
<p style="text-align: center;">F</p> <p style="text-align: center;"></p> <p style="text-align: center;">Ø5/16" x 35mm</p> <p style="text-align: center;">BOLT (6pcs)</p>	<p style="text-align: center;">L</p> <p style="text-align: center;"></p> <p style="text-align: center;">SOCKET (1pc)</p>






ASSEMBLY TOOLS REQUIRED (NOT INCLUDED)

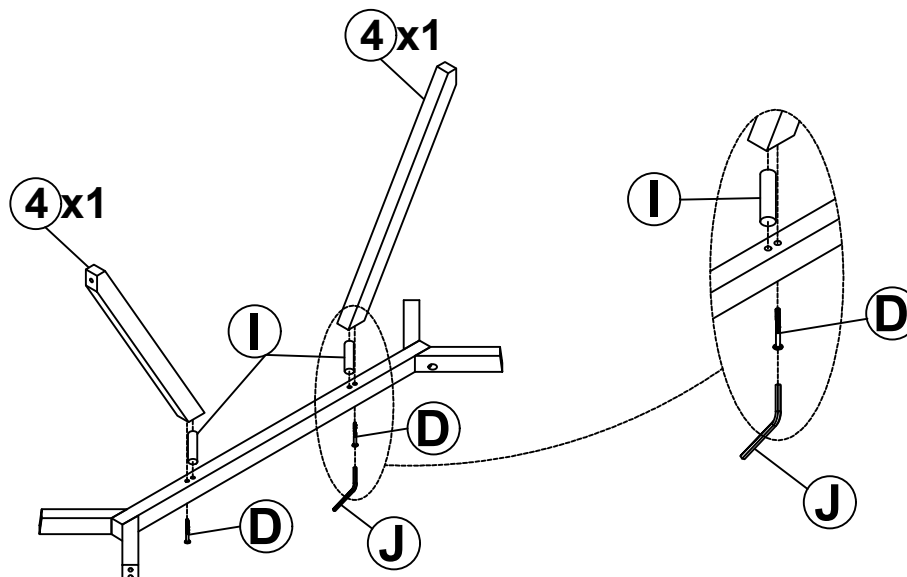
ASSEMBLY INSTRUCTIONS




Step 1



I	Ø10x30		4PCS			
F	5/16x35		4PCS	J	4x58	 1PC

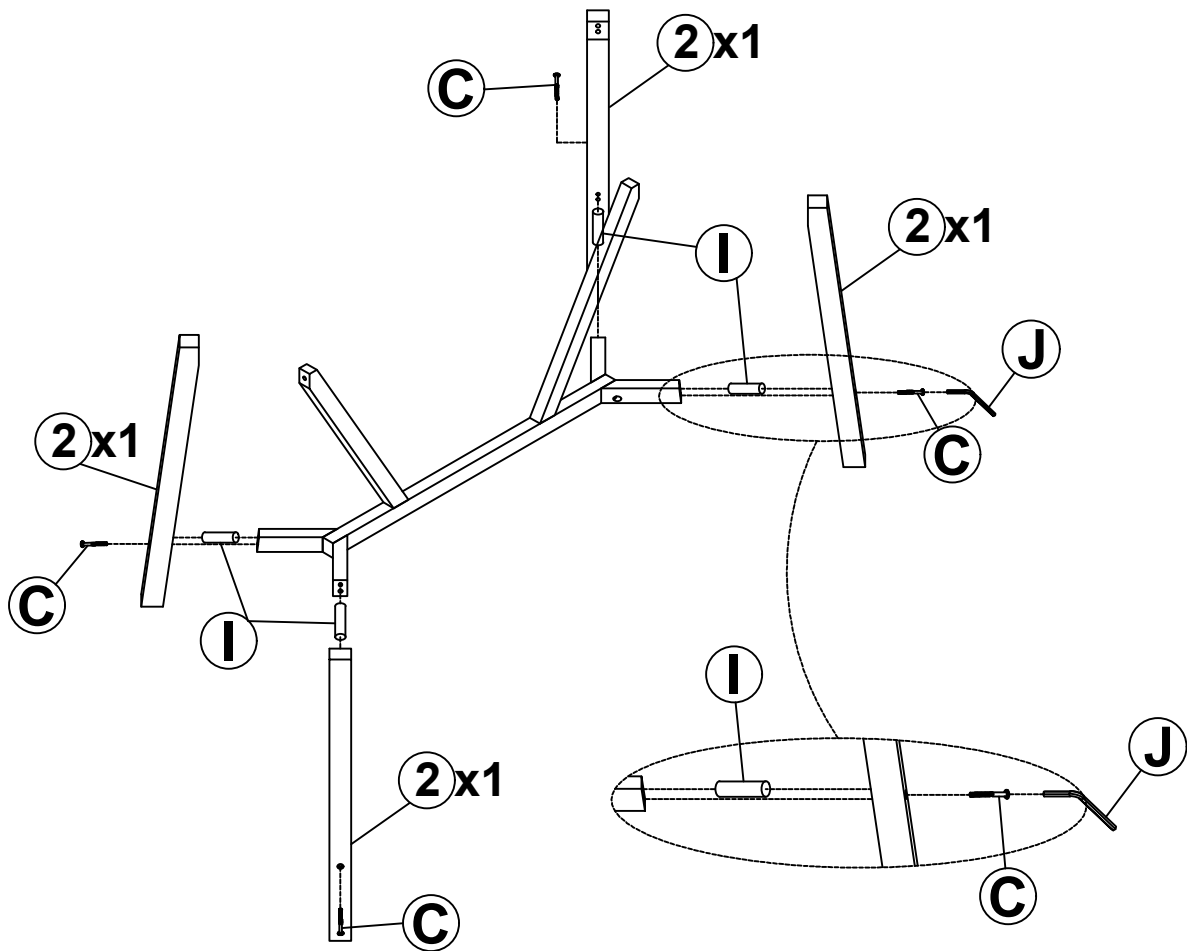
Step 2



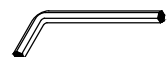


D	5/16x70		2PCS			
I	Ø10x30		2PCS	J	4x58	 1PC

ASSEMBLY INSTRUCTIONS

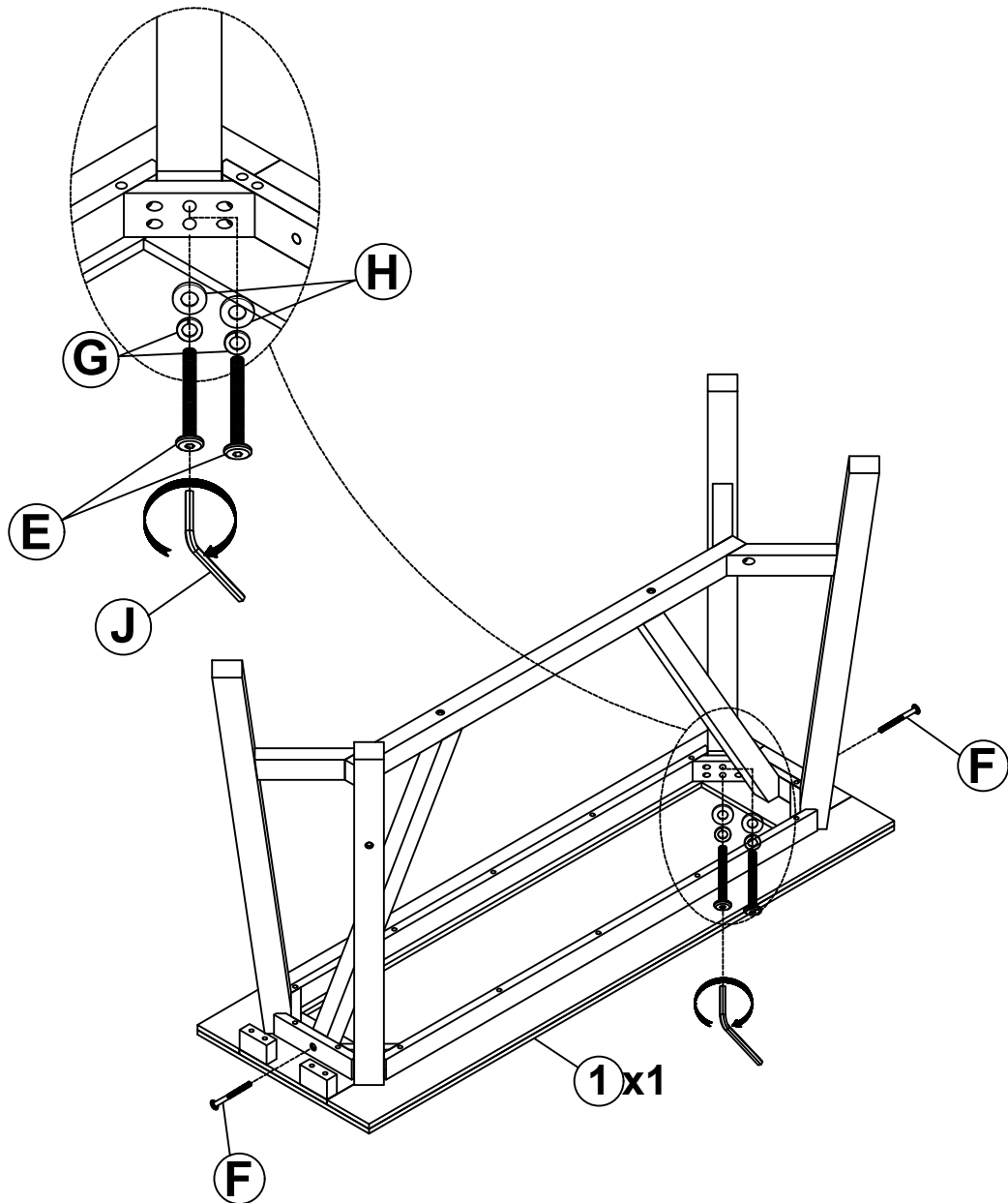
Step 3








C	5/16x80		4PCS			
I	Ø10x30		4PCS	J	4x58	
						1PC

ASSEMBLY INSTRUCTIONS

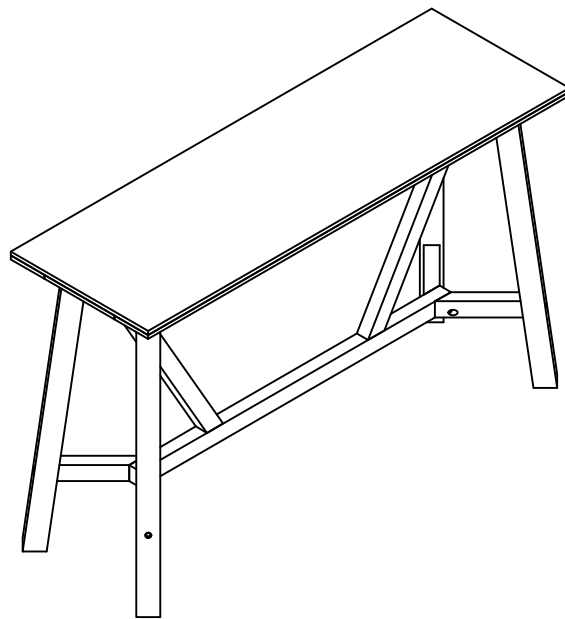
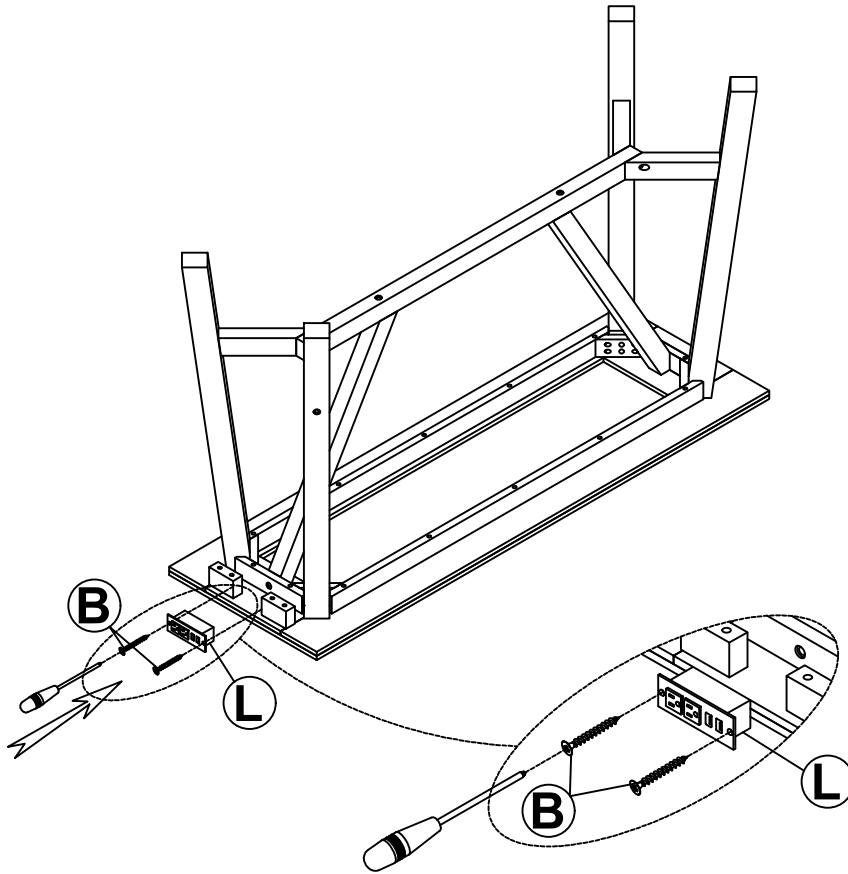
Step 4



				G	5/16x13		8PCS
E	5/16x45		8PCS	H	5/16x19		8PCS
F	5/16x35		2PCS	J	4x58		1PC

ASSEMBLY INSTRUCTIONS

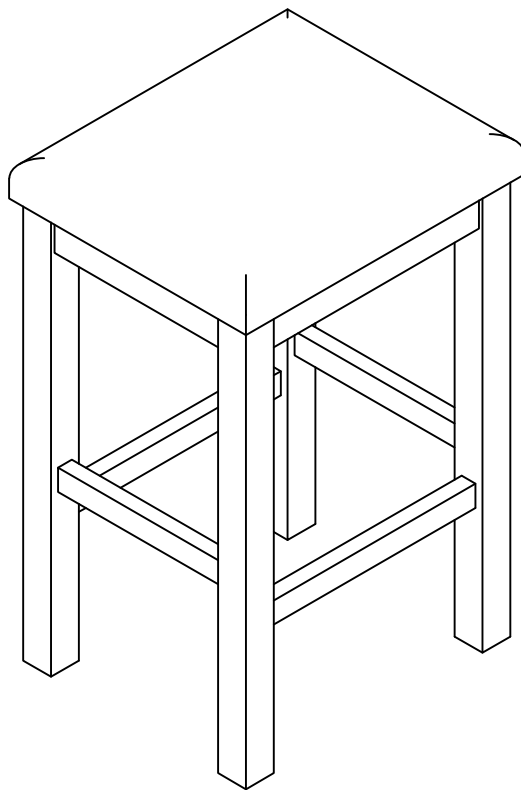
Step 5



L		1PC	B	Ø3.5x15		2PCS
----------	--	-----	----------	---------	--	------

ASSEMBLY INSTRUCTIONS

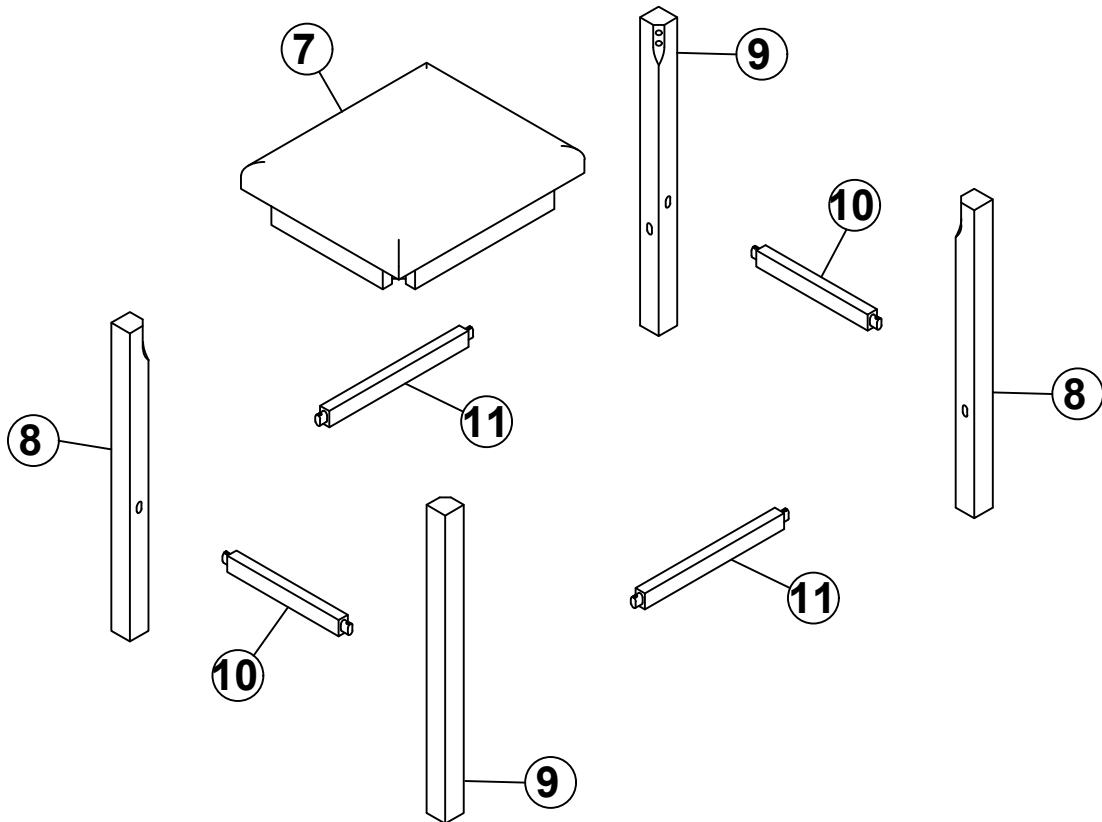
DINING STOOL



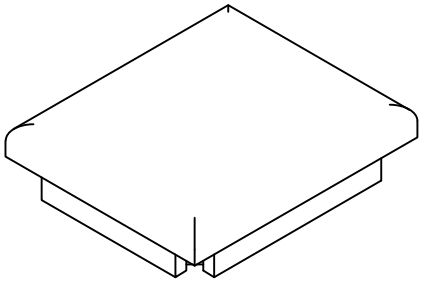
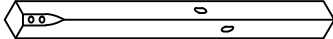
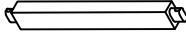
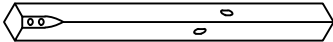
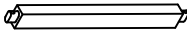
WF298919

IMPORTANT NOTE :

- 1 PLACE ALL PARTS ON A CLEAN AND SMOOTH SURFACE SUCH AS A RUG OR CARPET TO AVOID THE PARTS FROM BEING SCRATCHED.**
- 2 BEFORE YOU BEGIN , KINDLY FOLLOW THE ASSEMBLY INSTRUCTIONS STEP BY STEP.**
- 3 DO NOT TIGHTEN ALL SCREWS AND BOLTS UNTIL THE STOOL IS FULLY SET-UP**


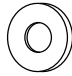





Part List For One Stool

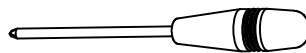
<p>⑦</p>  <p>SEAT FRAME (1pc)</p>	<p>⑨</p>  <p>LEGS STOOL (2pcs)</p>
	<p>⑩</p>  <p>STRETCHER (2pcs)</p>
<p>⑧</p>  <p>LEGS STOOL (2pcs)</p>	<p>⑪</p>  <p>STRETCHER (2pcs)</p>

ASSEMBLY INSTRUCTIONS

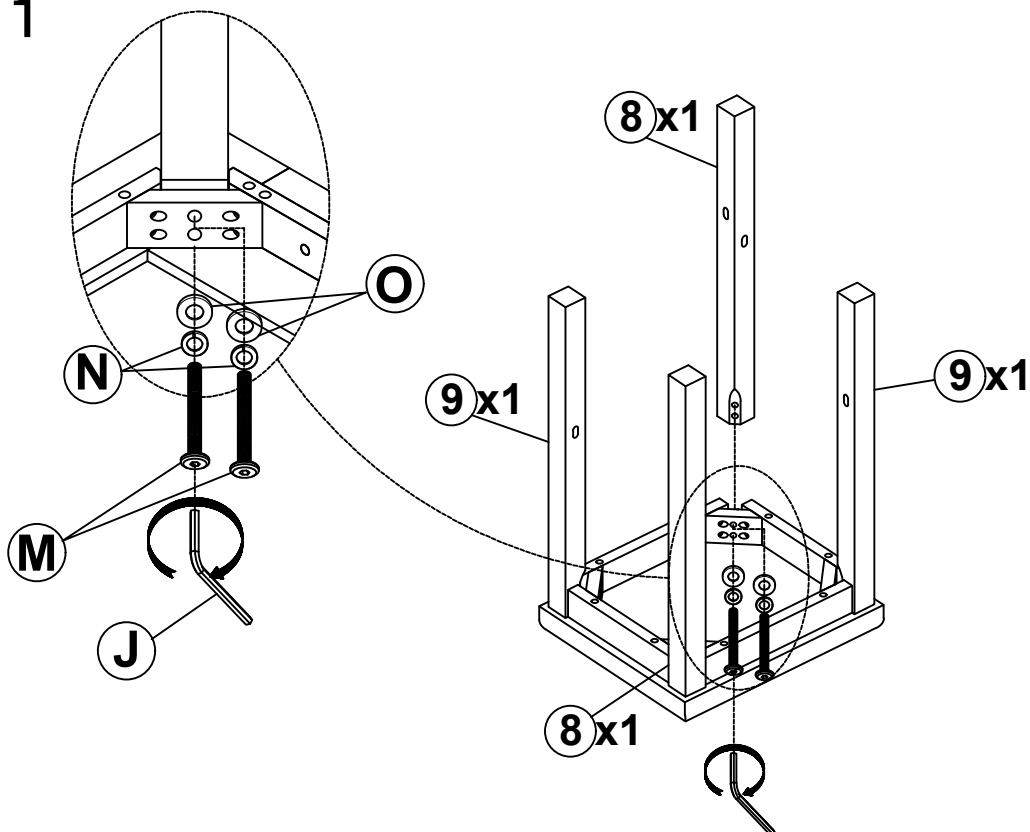
Hardware List For One Stool


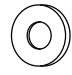


<p>A  Ø4" x 38mm SCREW (8pcs)</p>	<p>O  Ø1/4" x 19mm FLAT WASHER (8pcs)</p>
<p>M  Ø1/4" x 55mm BOLT (8pcs)</p>	<p>J  4mm ALLENKEY (1pc)</p>
<p>N  Ø1/4" x 13mm SPRING WASHER (8pcs)</p>	

ASSEMBLY TOOLS REQUIRED (NOT INCLUDED)



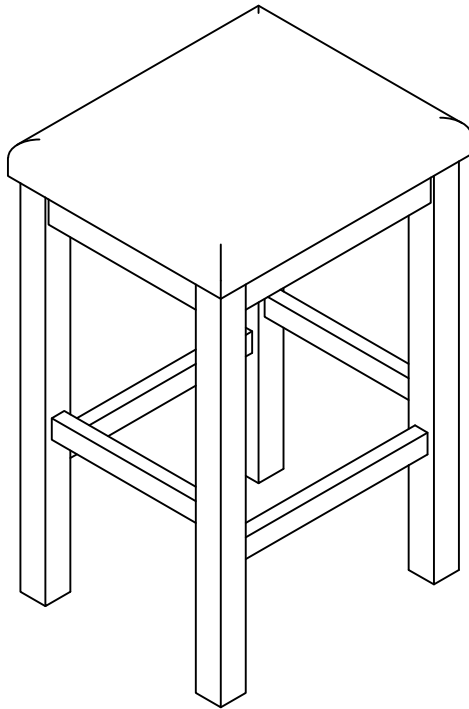
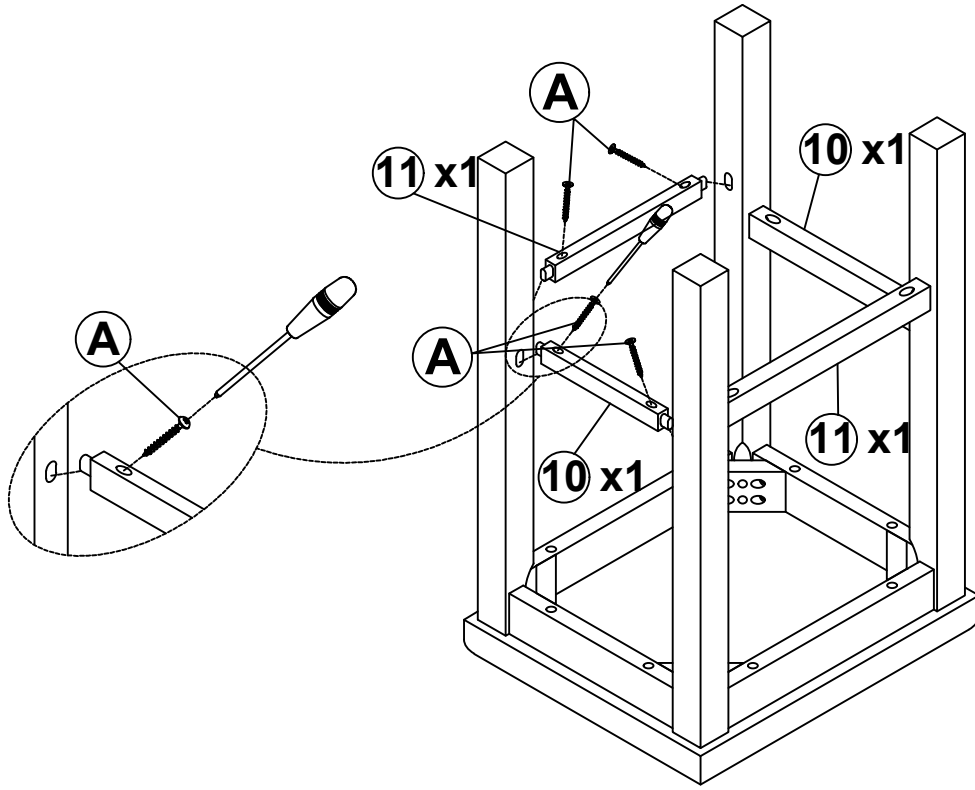
Step 1



M	1/4"x55		8PCS	O	1/4"x19		8PCS
N	1/4"x13		8PCS	J	4x58		1PC

ASSEMBLY INSTRUCTIONS

Step 2



A

Ø4x38



8PCS