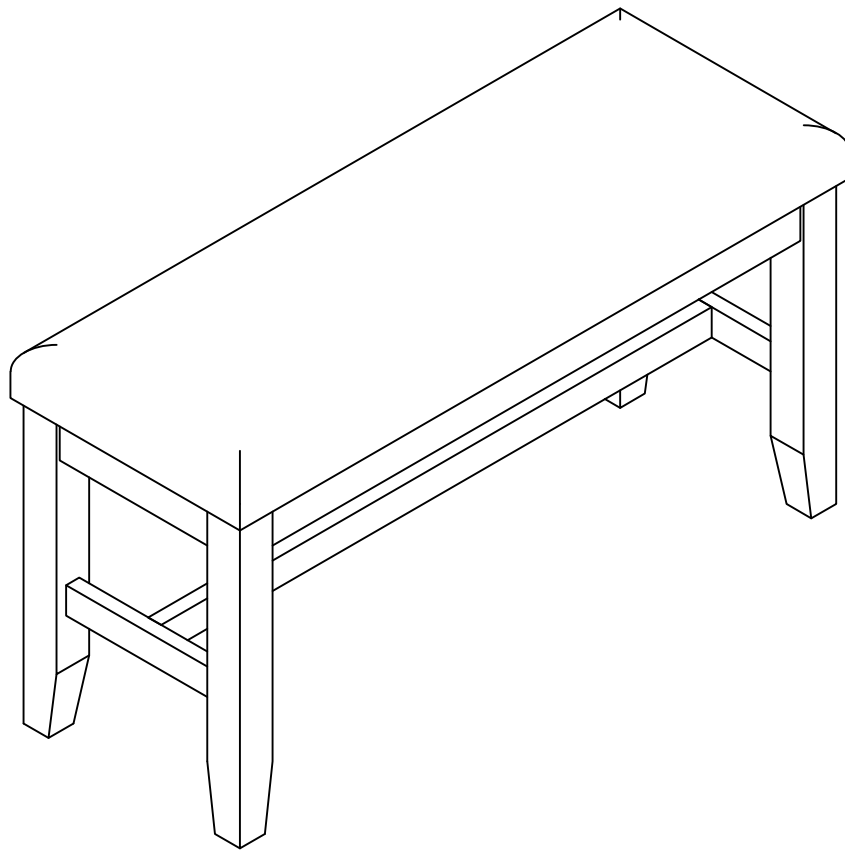


ASSEMBLY INSTRUCTIONS

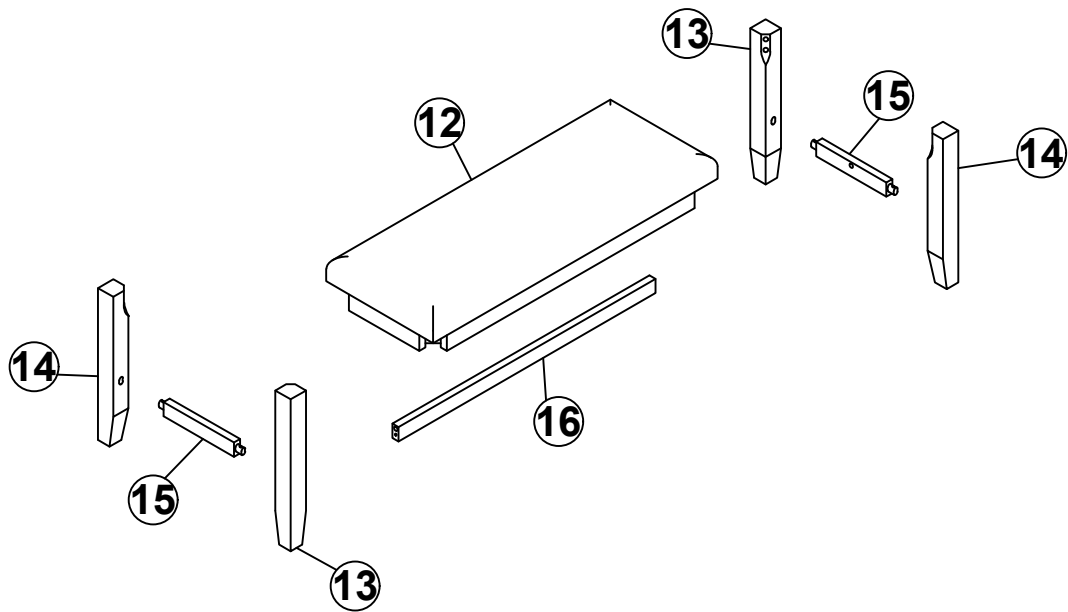
DINING BENCH

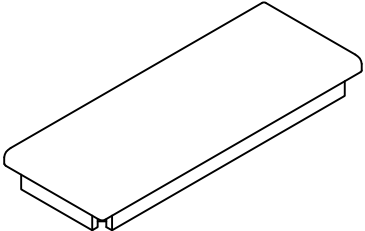

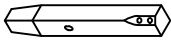

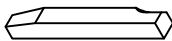

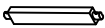

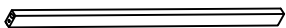

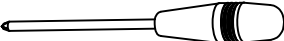


WF296673

IMPORTANT NOTE :

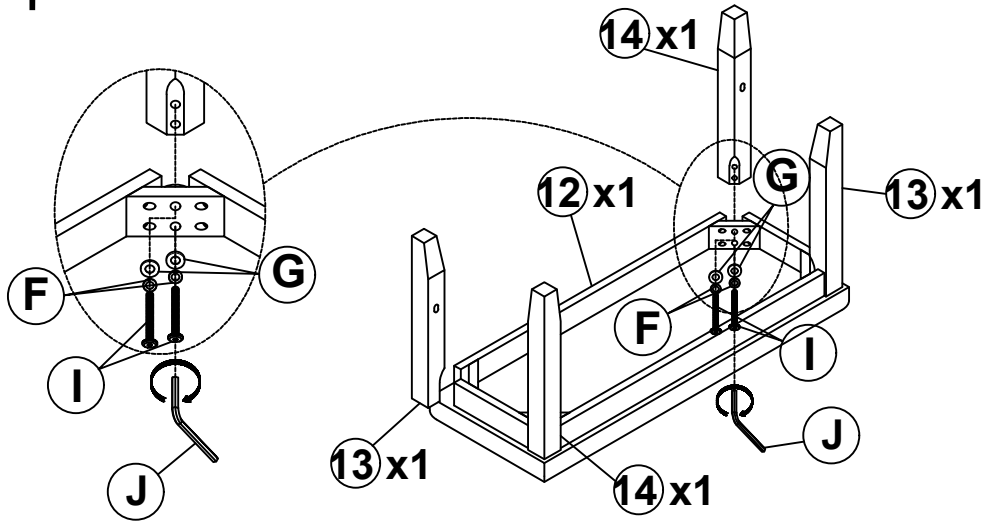
- ① PLACE ALL PARTS ON A CLEAN AND SMOOTH SURFACE SUCH AS A RUG OR CARPET TO AVOID THE PARTS FROM BEING SCRATCHED.
- ② BEFORE YOU BEGIN , KINDLY FOLLOW THE ASSEMBLY INSTRUCTIONS STEP BY STEP.
- ③ DO NOT TIGHTEN ALL SCREWS AND BOLTS UNTIL THE BENCH IS FULLY SET-UP







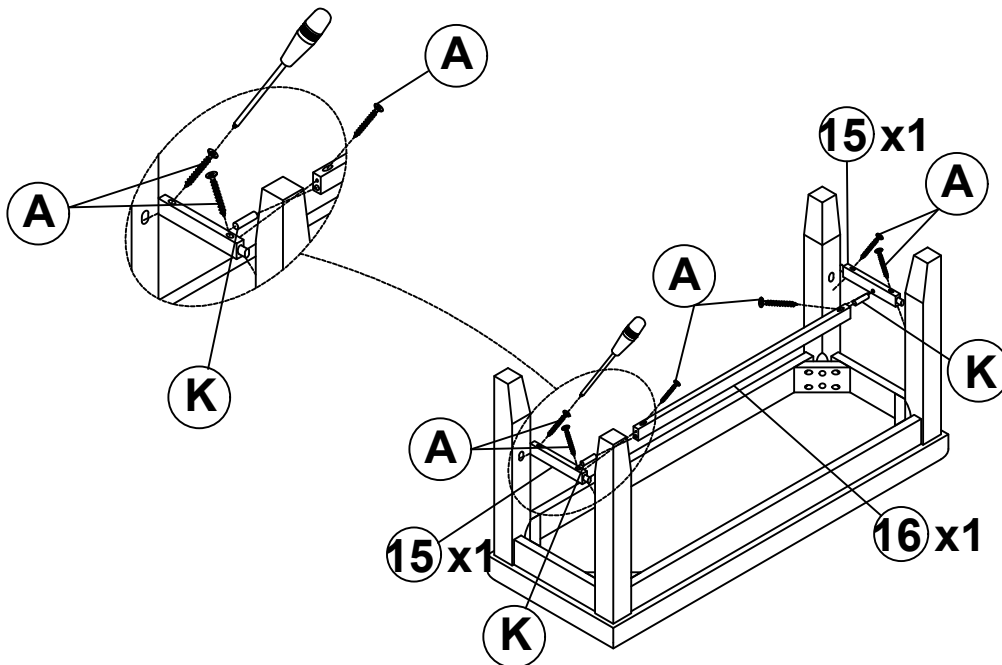
PART LIST FOR ONE BENCH	HARDWARE LIST FOR ONE BENCH
12 	A  Ø4" x 38mm
SEAT BENCH (1pc)	SCREW (6pcs)
13 	I  Ø5/16" x 60mm
LEGS BENCH (2pcs)	BOLT (8pcs)
14 	F  Ø5/16" x 13mm
LEGS BENCH (2pcs)	SPRING WASHER (8pcs)
15 	G  Ø5/16" x 19mm
SHORT STRETCHER (2pcs)	FLAT WASHER (8pcs)
16 	K  Ø10" x 30mm
LONG STRETCHER (1pc)	WOODEN PEGS (2pcs)
ASSEMBLY TOOLS REQUIRED (NOT INCLUDED)	
	
J 4mm ALLENKEY (1pc)	



ASSEMBLY INSTRUCTIONS

Step 1



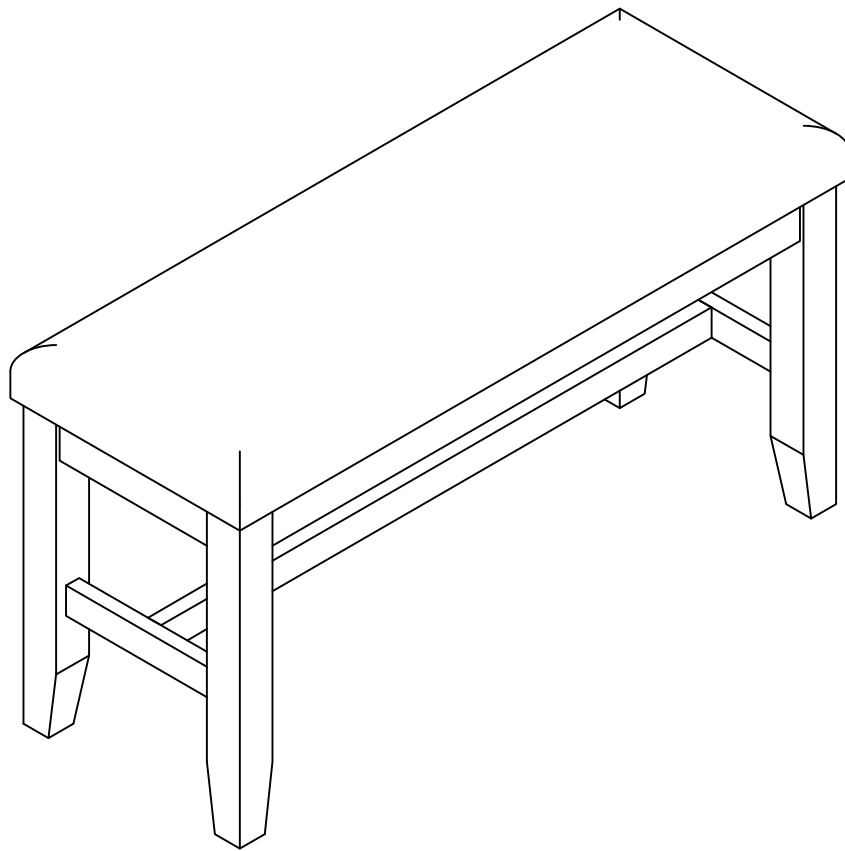
I	Ø5/16x60 	8PCS	F	Ø5/16x13 	8PCS
J	4x58 	1PC	G	Ø5/16x19 	8PCS



K	Ø10x30 	2PCS	A	Ø4x38 	6PCS
----------	--	------	----------	---	------

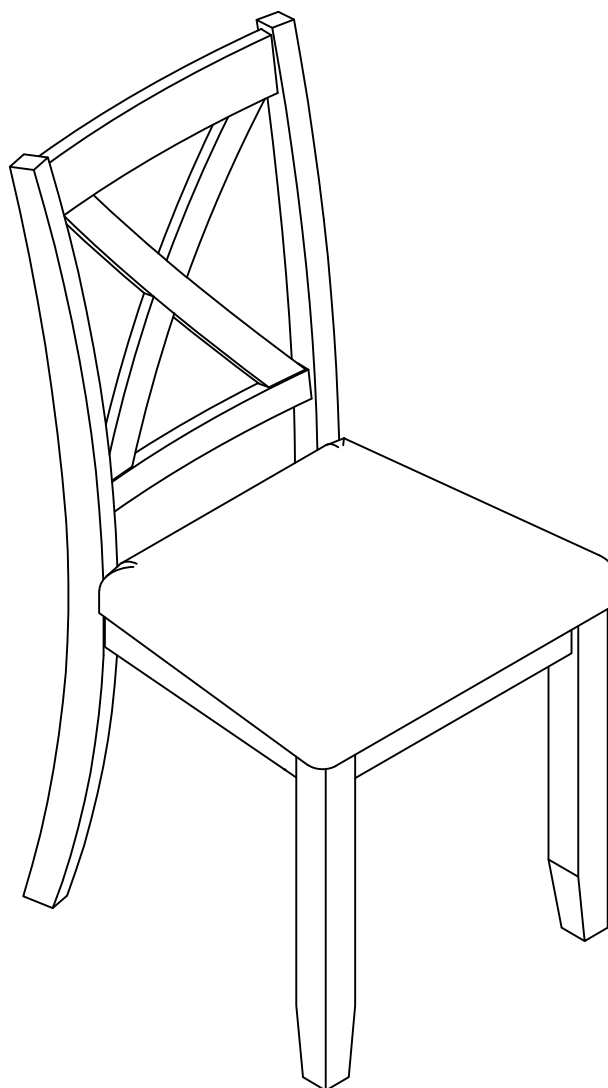
ASSEMBLY INSTRUCTIONS

Step 3



ASSEMBLY INSTRUCTIONS

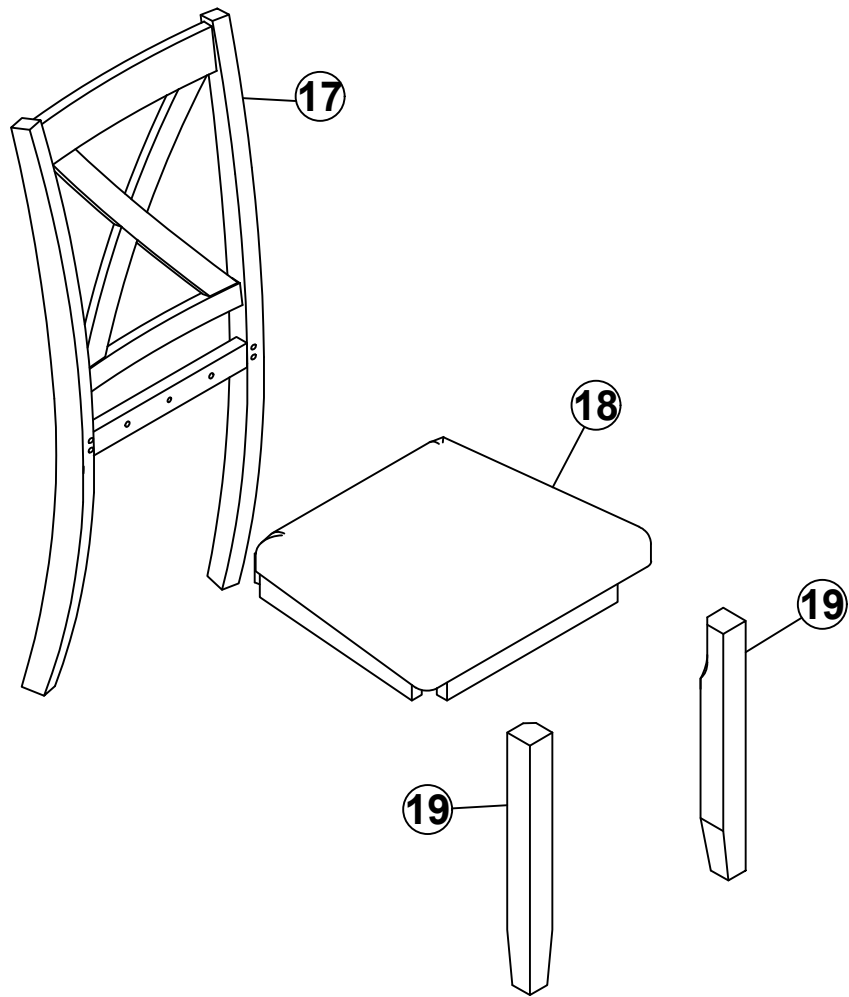
DINING CHAIR



WF296673

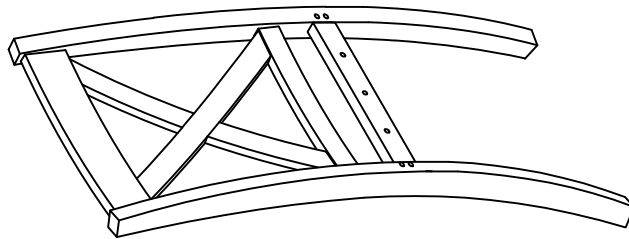
IMPORTANT NOTE :

- 1 PLACE ALL PARTS ON A CLEAN AND SMOOTH SURFACE SUCH AS A RUG OR CARPET TO AVOID THE PARTS FROM BEING SCRATCHED.**
- 2 BEFORE YOU BEGIN , KINDLY FOLLOW THE ASSEMBLY INSTRUCTIONS STEP BY STEP.**
- 3 DO NOT TIGHTEN ALL SCREWS AND BOLTS UNTIL THE CHAIR IS FULLY SET-UP**



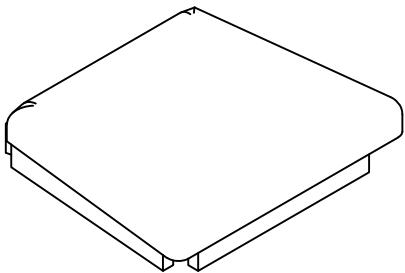
Part List For One Chair

17



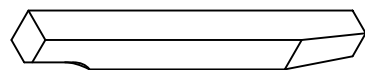
BACK FRAME (1pc)

18






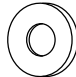

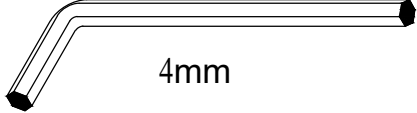

SEAT FRAME (1pc)

19

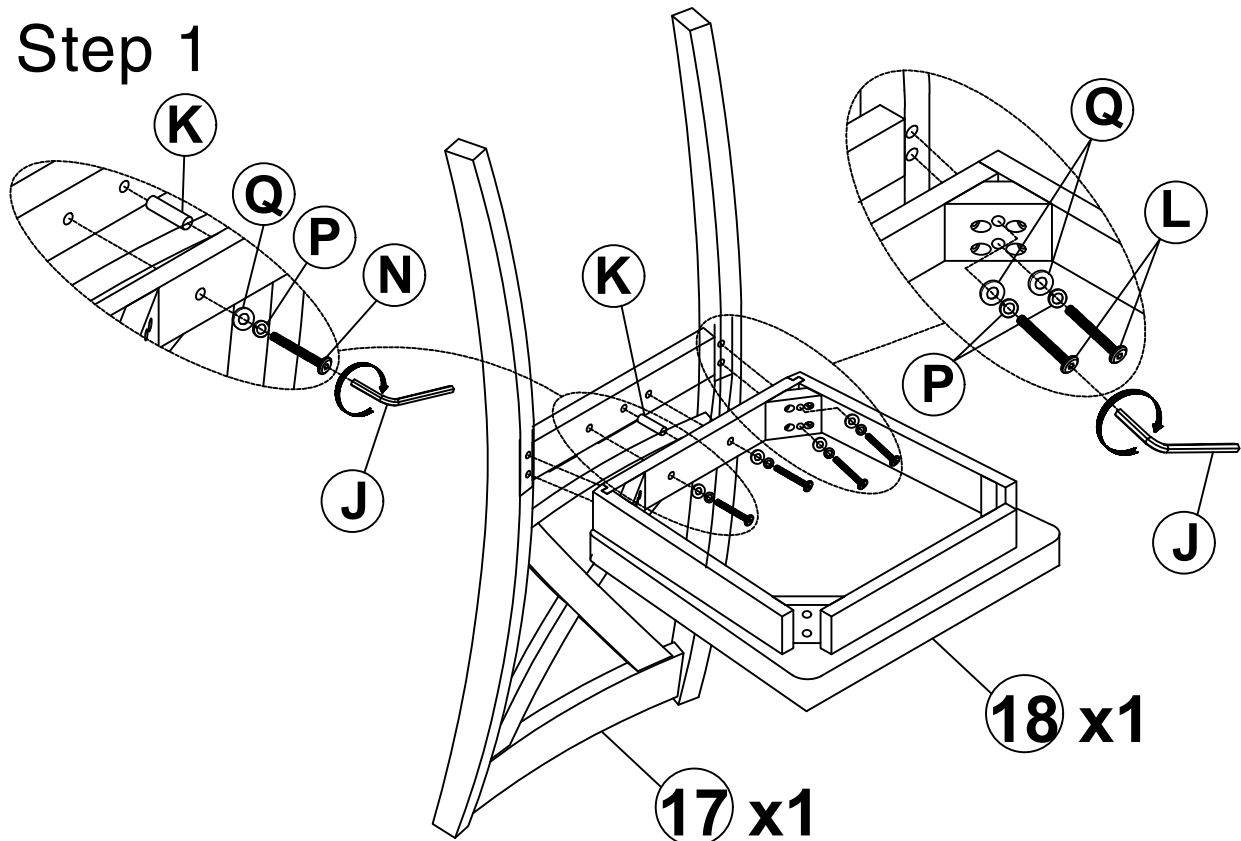








LEGS CHAIR (2pcs)

Hardware List For One Chair

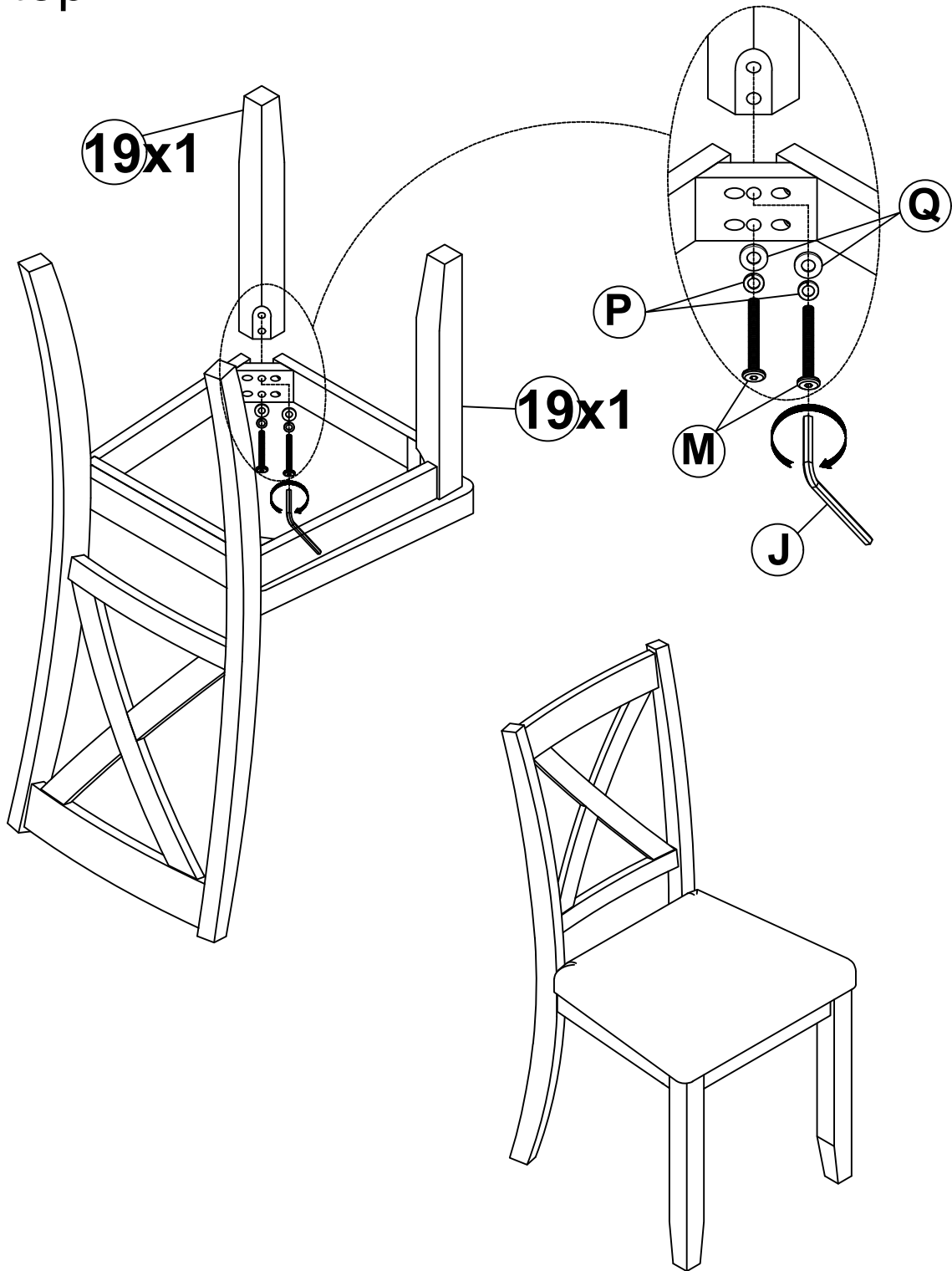
K	 Ø10 x 30mm WOODEN PEGS (1pc)	P	 Ø1/4" x 13mm SPRING WASHER (10pcs)
L	 Ø1/4" x 75mm BOLT (4pcs)	Q	 Ø1/4" x 19mm FLAT WASHER (10pcs)
M	 Ø1/4" x 55mm BOLT (4pcs)	J	 4mm ALLENKEY (1pc)
N	 Ø1/4" x 35mm BOLT (2pcs)		





Step 1



K	Ø10x30		1PC	P	Ø1/4"x13		6PCS
L	Ø1/4"x75		4PCS	Q	Ø1/4"x19		6PCS
N	Ø1/4"x35		2PCS	J	4x58		1PC

Step 2



M	Ø1/4"x55		4PCS	Q	Ø1/4"x19		4PCS
P	Ø1/4"x13		4PCS	J	4x58		1PC