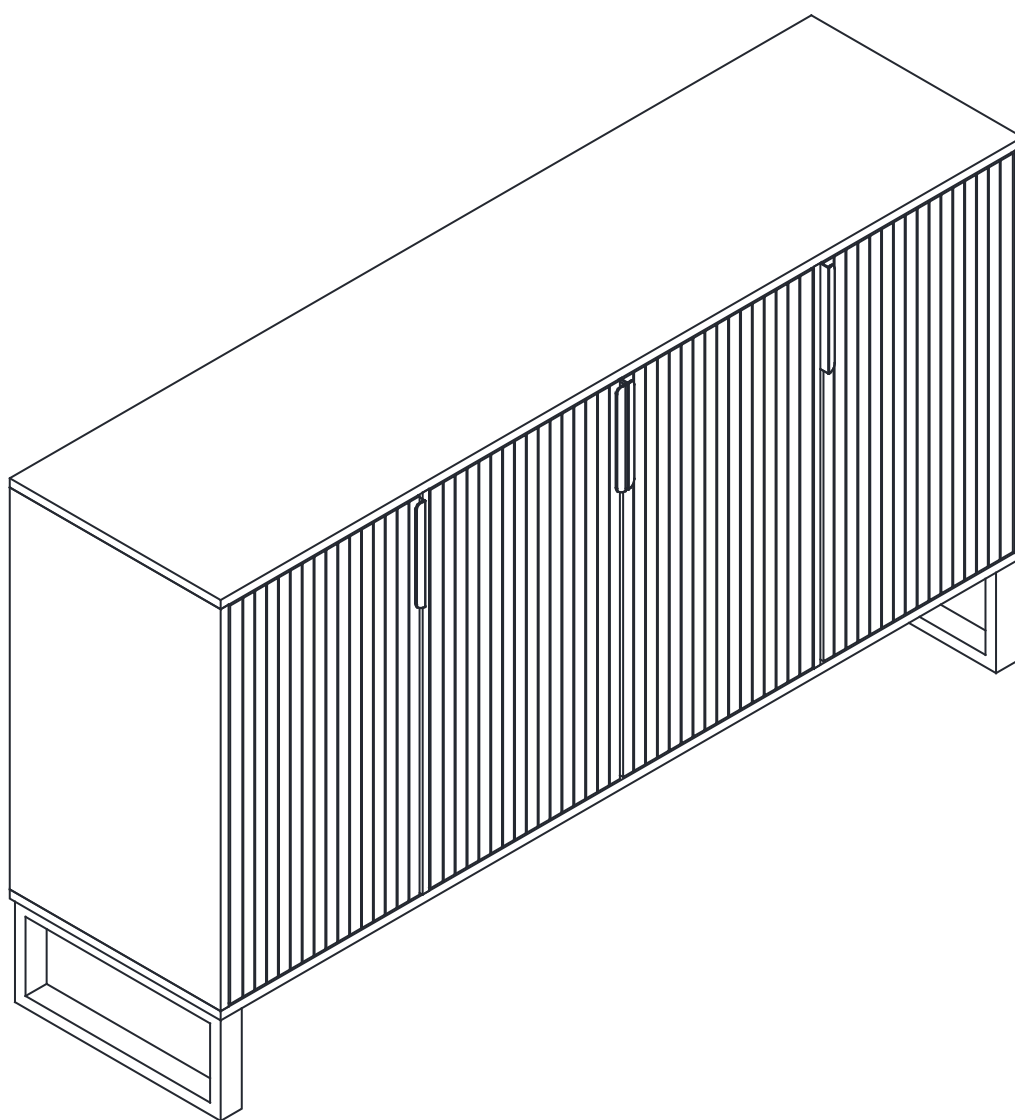
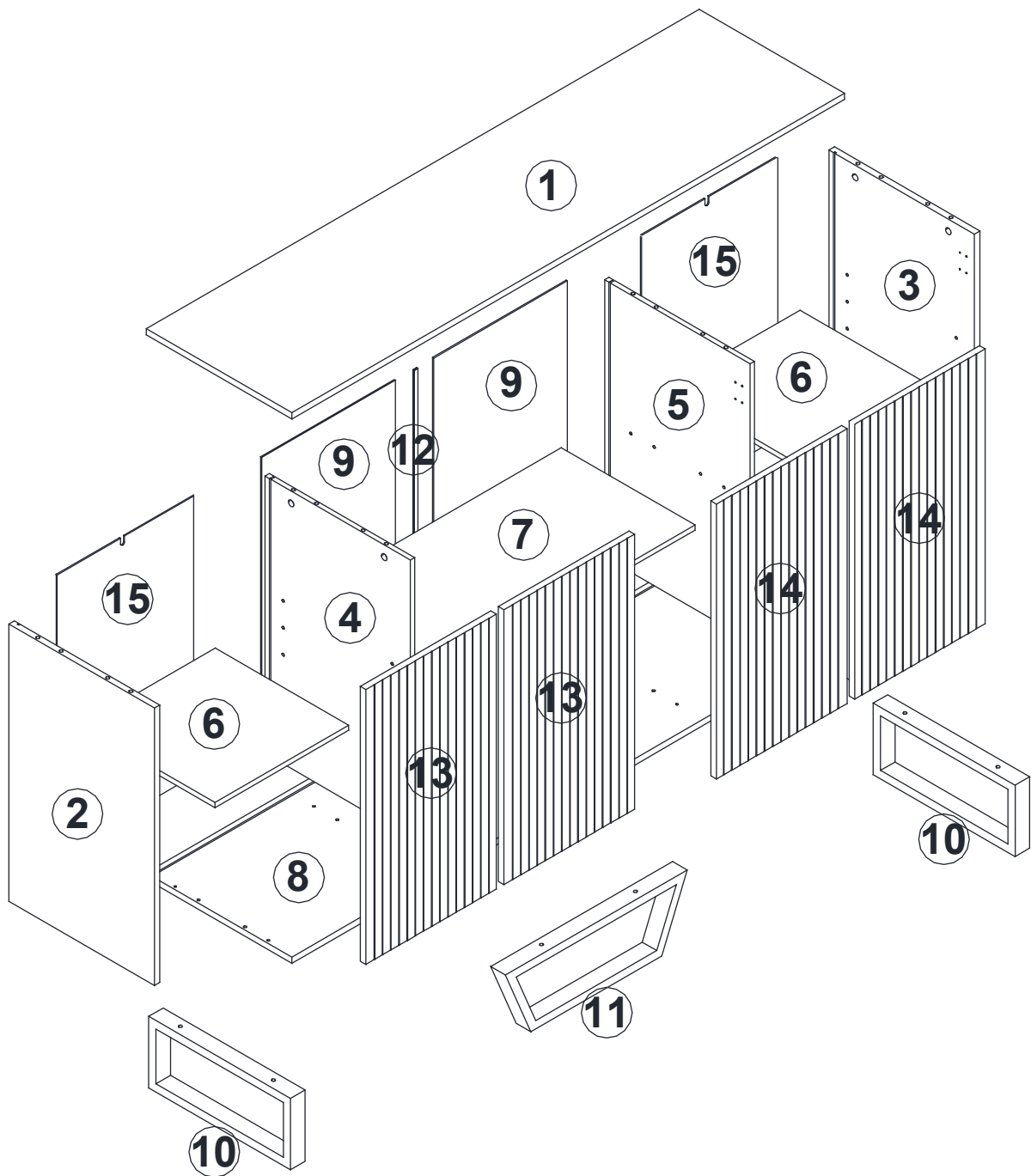


# ASSEMBLY INSTRUCTION

**WF295368AAB&WF295368AAK**



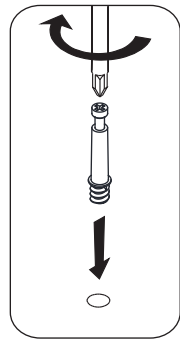
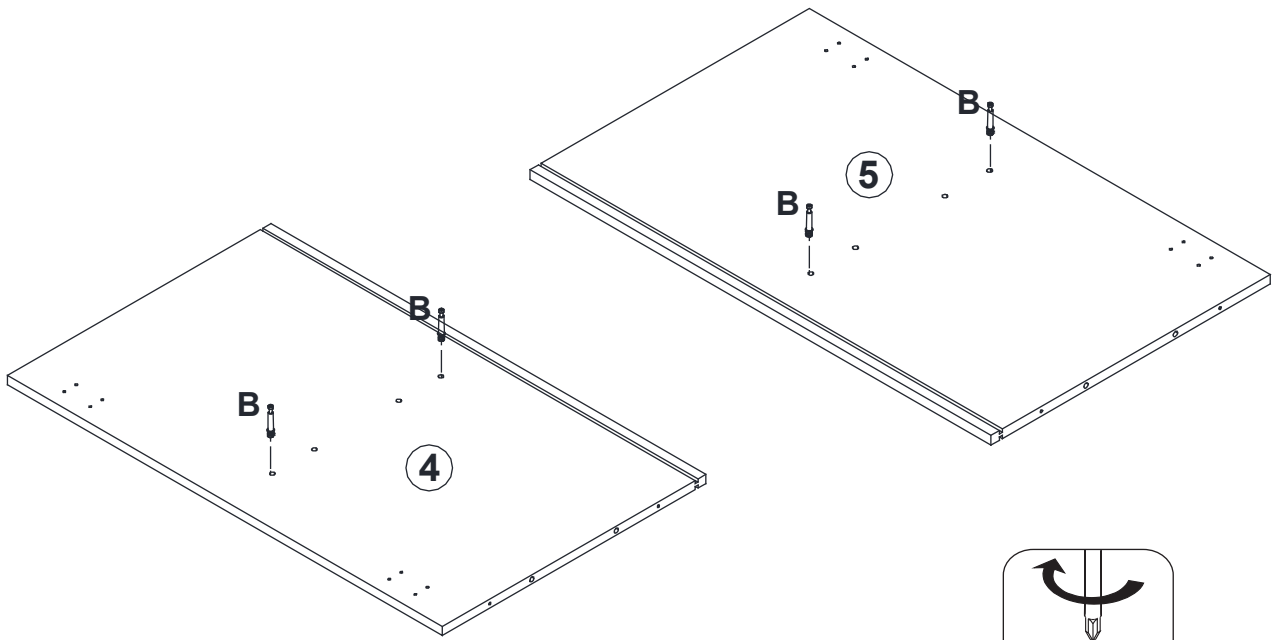


**WF295368AAB&WF295368AAK**

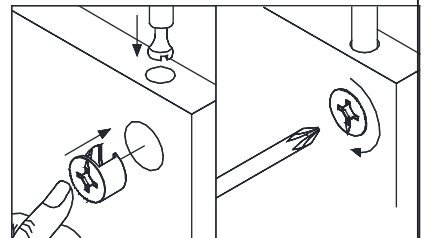
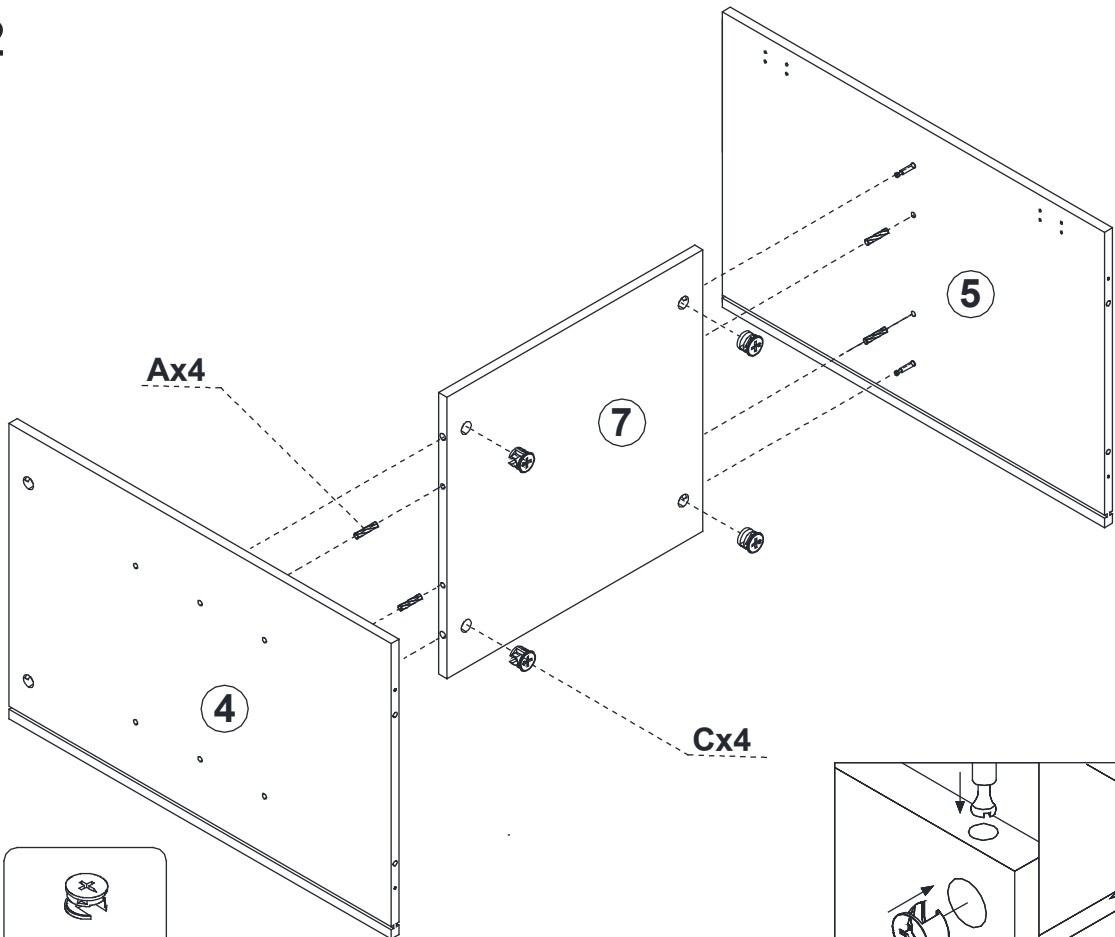
<b>① x 1</b>	<b>② x 1</b>	<b>③ x 1</b>	<b>④ x 1</b>
<b>⑤ x 1</b>	<b>⑥ x 2</b>	<b>⑦ x 1</b>	<b>⑧ x 1</b>
<b>⑨ x 2</b>	<b>⑩ x 2</b>	<b>⑪ x 1</b>	<b>⑫ x 1</b>
<b>⑬ x 2</b>	<b>⑭ x 2</b>	<b>⑮ x 2</b>	

<b>Φ6x30mm</b>			<b>Φ4x40mm</b>	<b>M6x40mm</b>	<b>Φ4x14mm</b>
<b>A x 20+2</b>	<b>B x 12+1</b>	<b>C x 12+1</b>	<b>D x 10+1</b>	<b>E x 6+1</b>	<b>F x 48+3</b>
<b>G x 4</b>	<b>H x 8+1</b>	<b>I x 8</b>	<b>J x 1</b>	<b>K x 8+1</b>	<b>Lx8</b>
<b>Φ3x12mm</b>			<b>Φ4x14mm</b>		
<b>Mx8+1</b>	<b>N x 3</b>	<b>Ox 2</b>	<b>Px 2+1</b>	<b>Qx 2+1</b>	

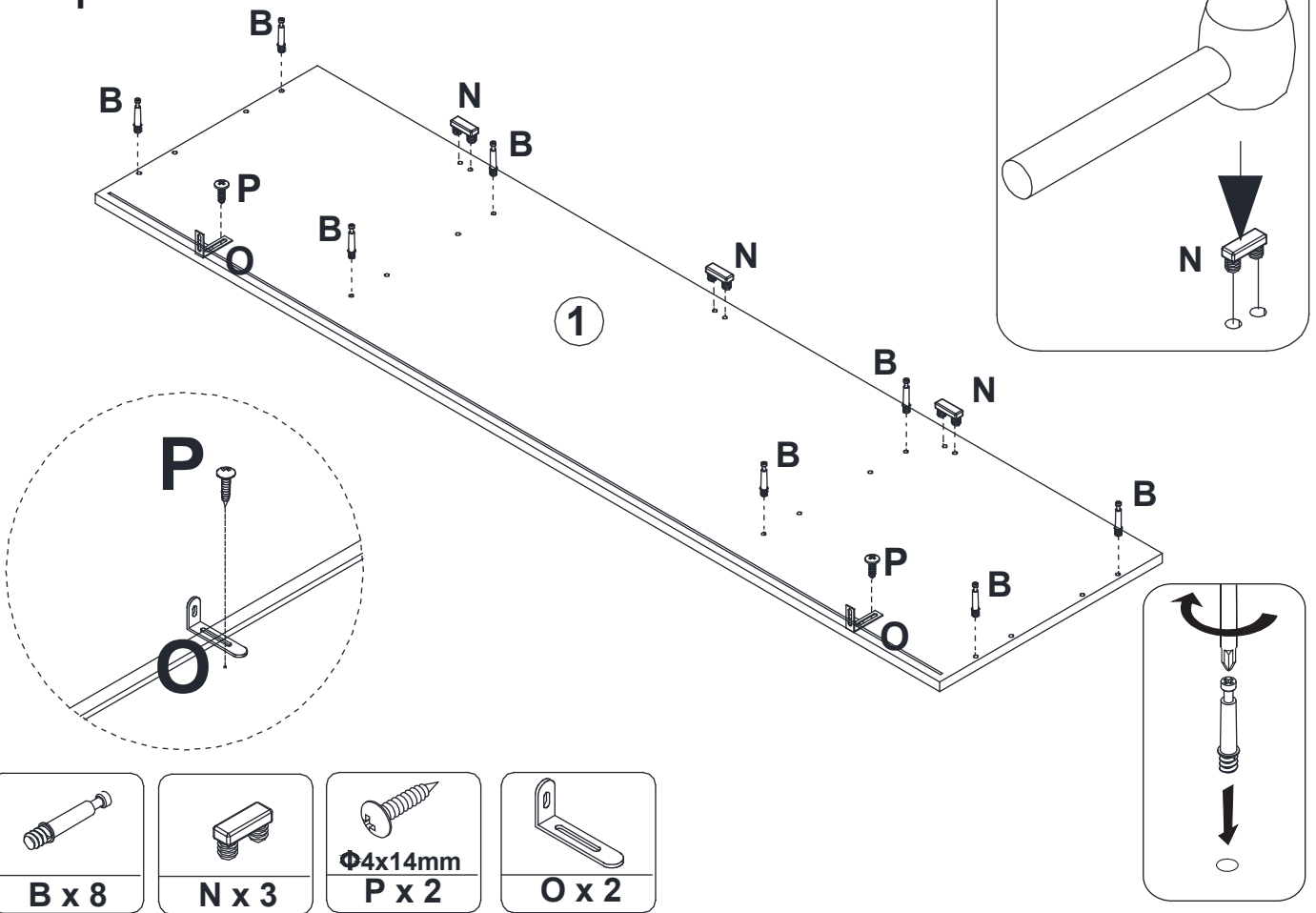
# Step 1



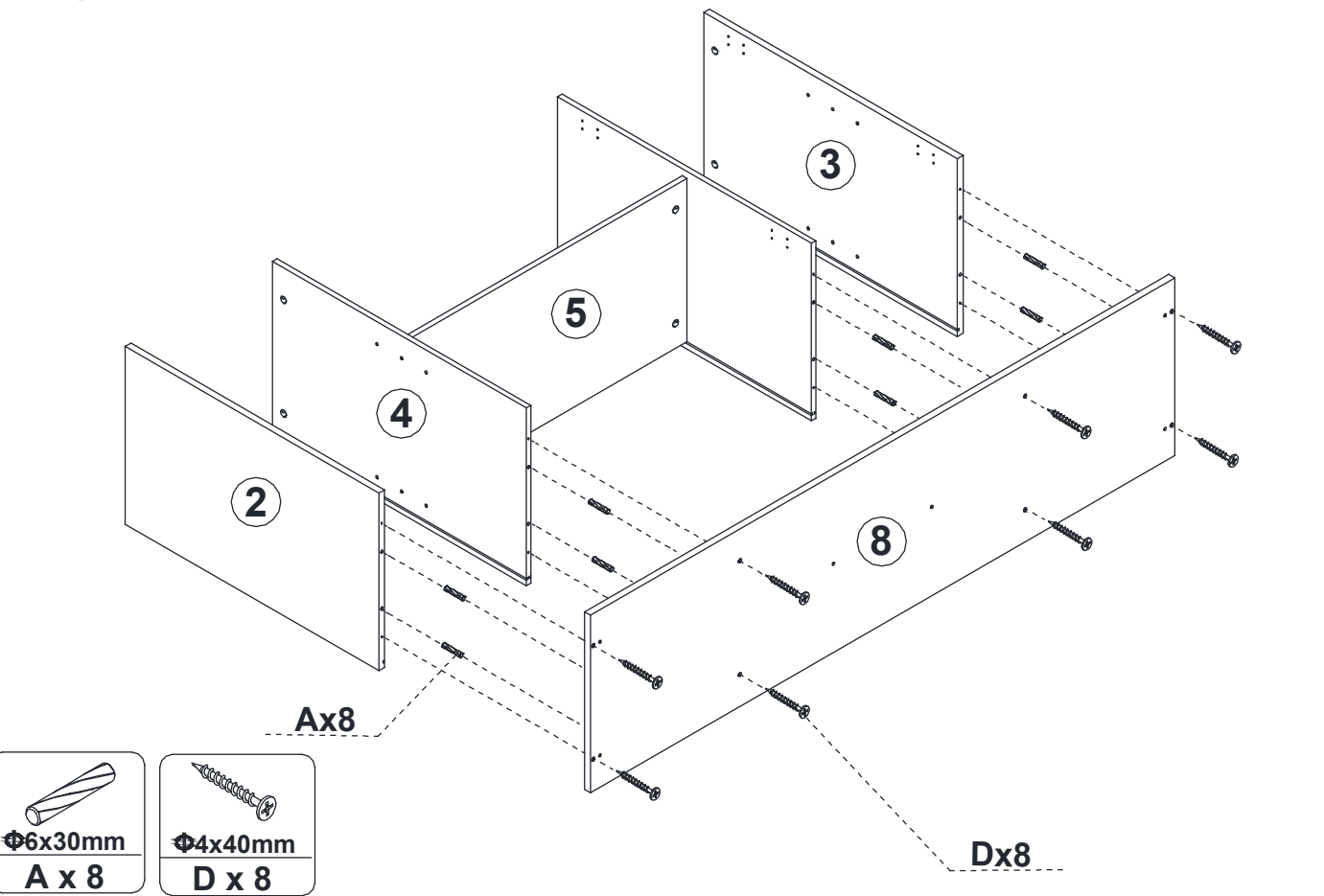
# Step 2



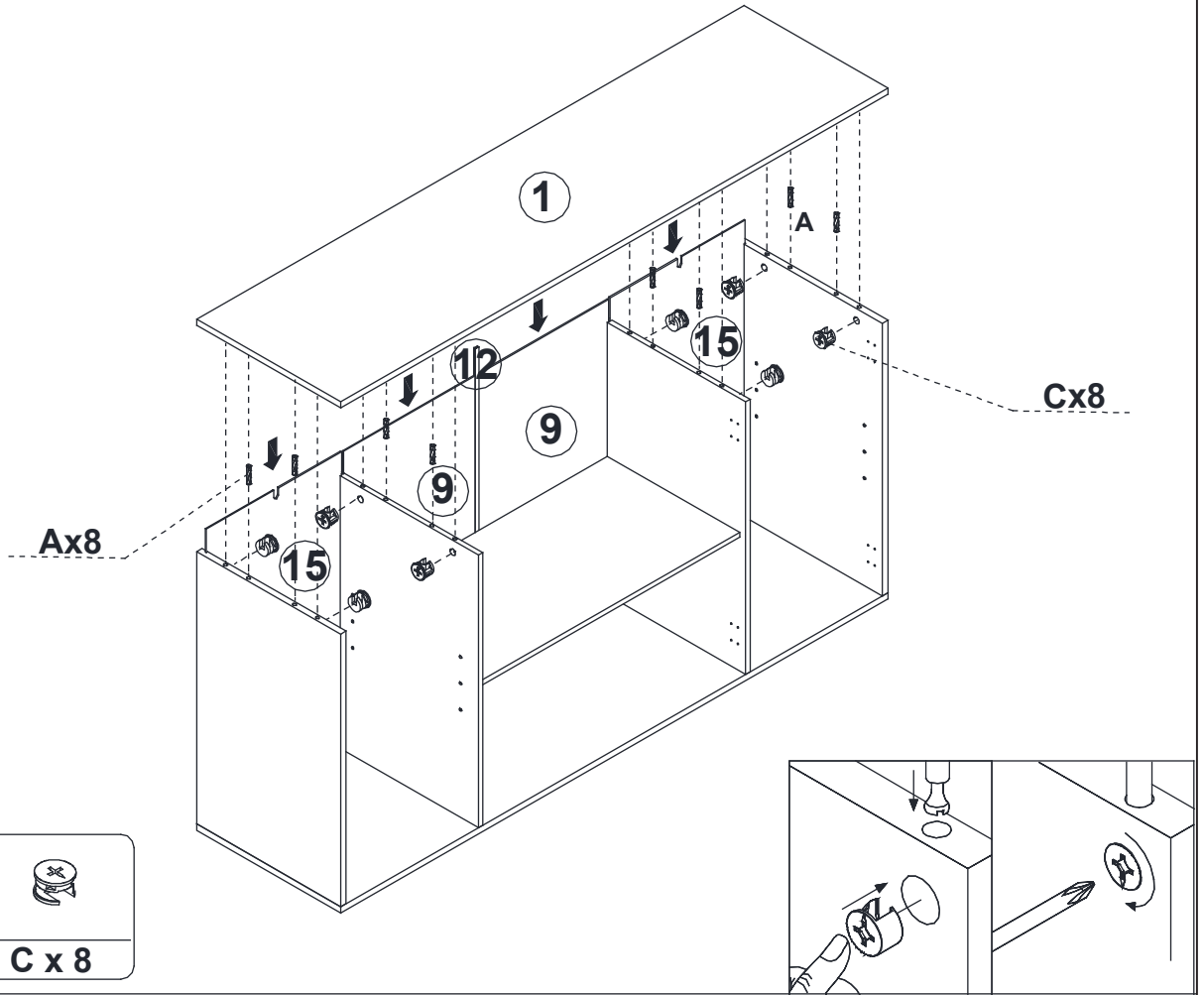
### Step 3



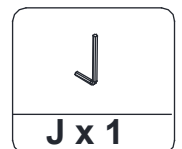
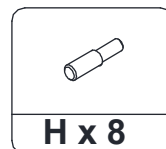
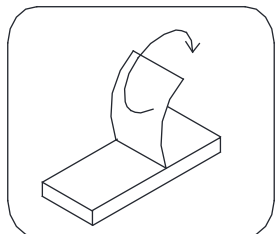
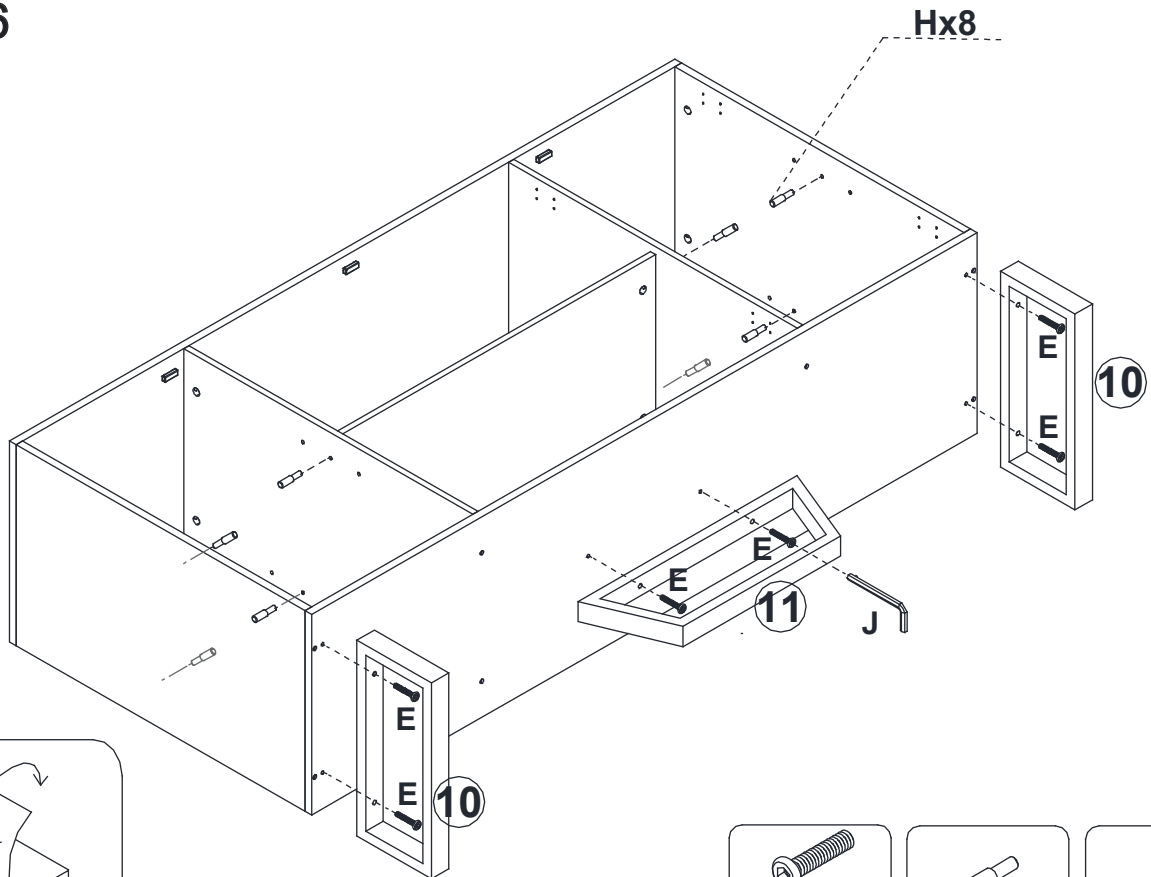
### Step 4



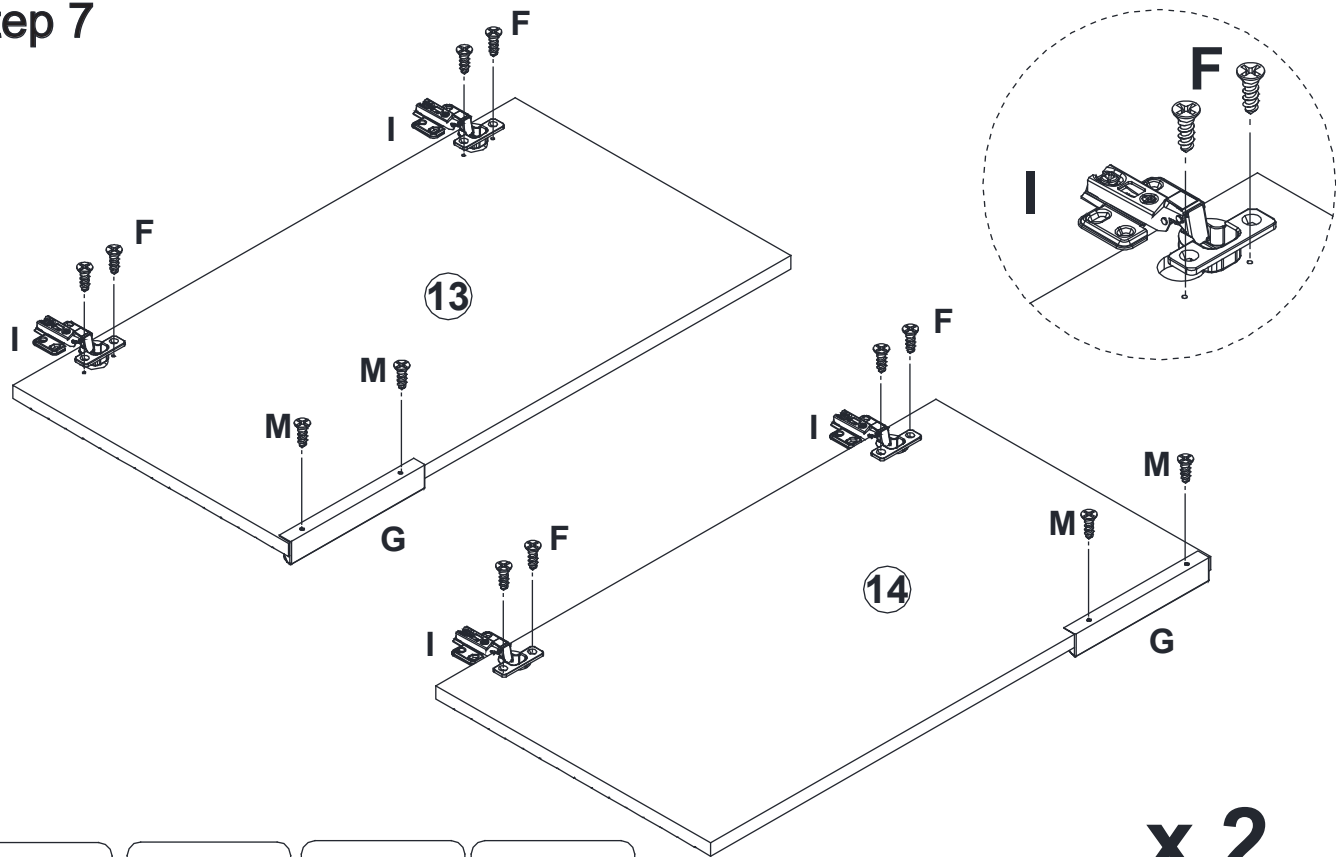
## Step 5



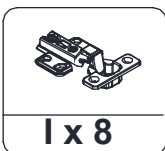
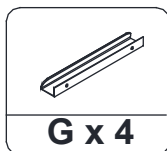
## Step 6



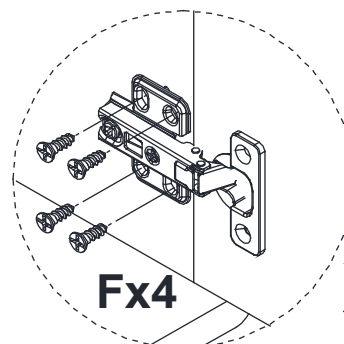
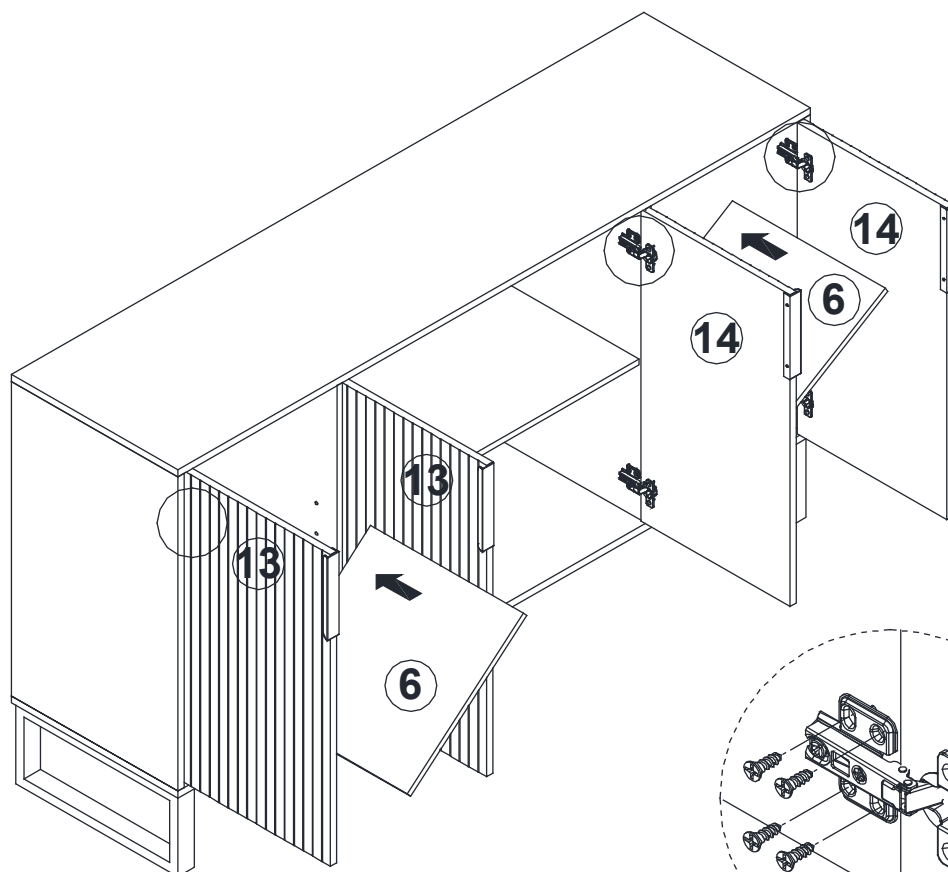
## Step 7



x 2

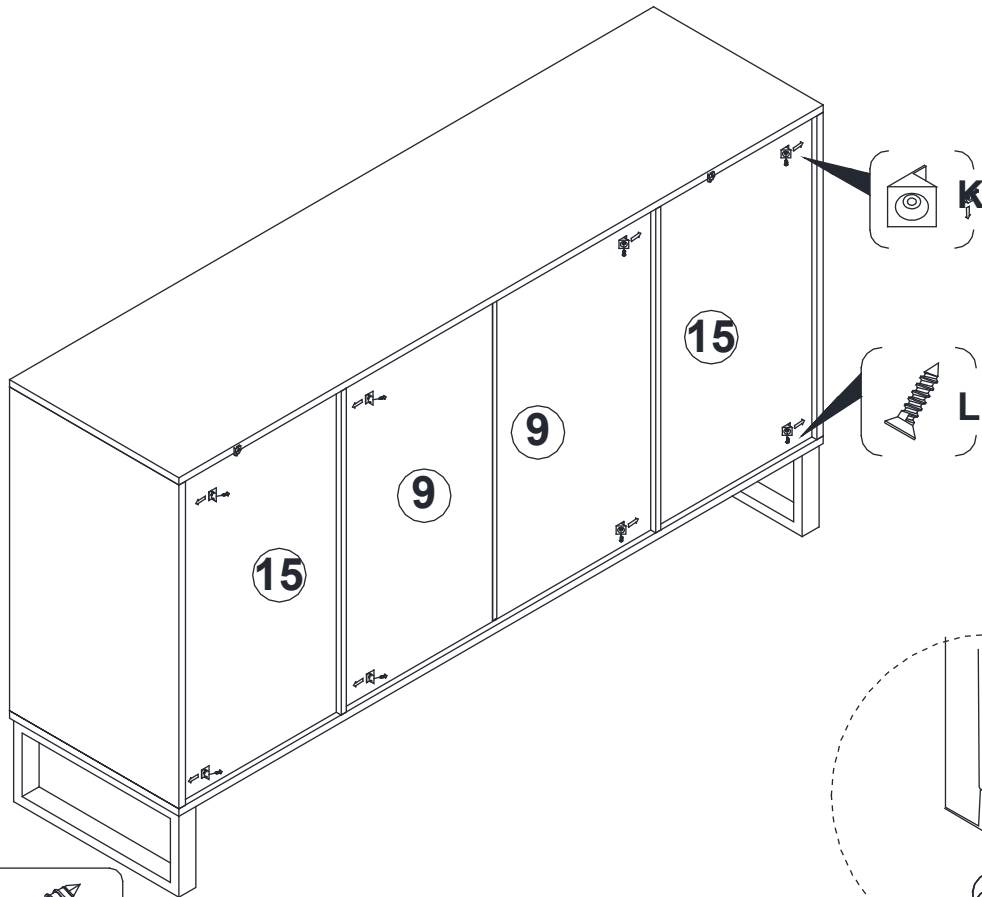


## Step 8



x 8

## Step 9

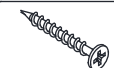
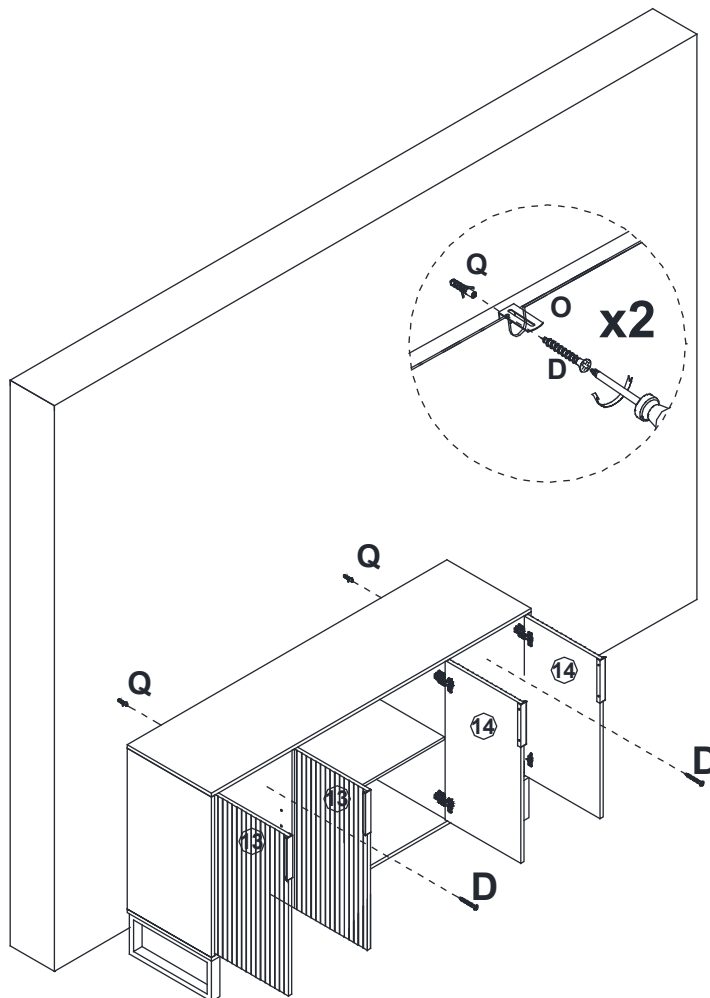


K x 8



Φ3x14mm  
L x 8

## Step 10



Φ4x40mm  
D x 2



Q x 2



## Step 11

