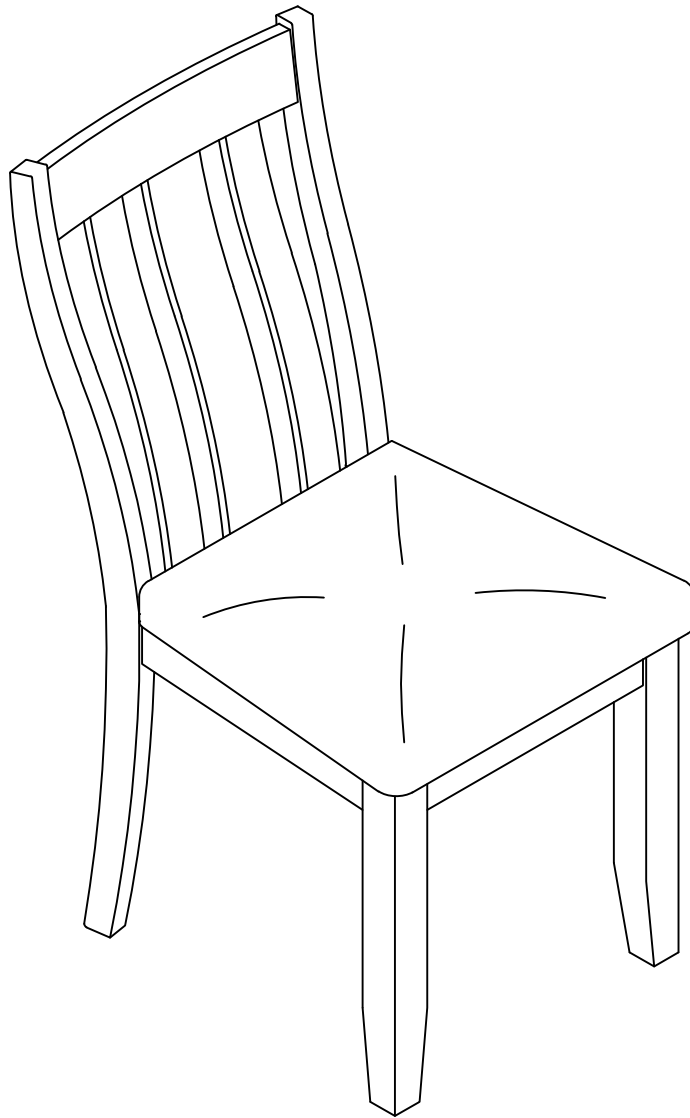


ASSEMBLY INSTRUCTIONS

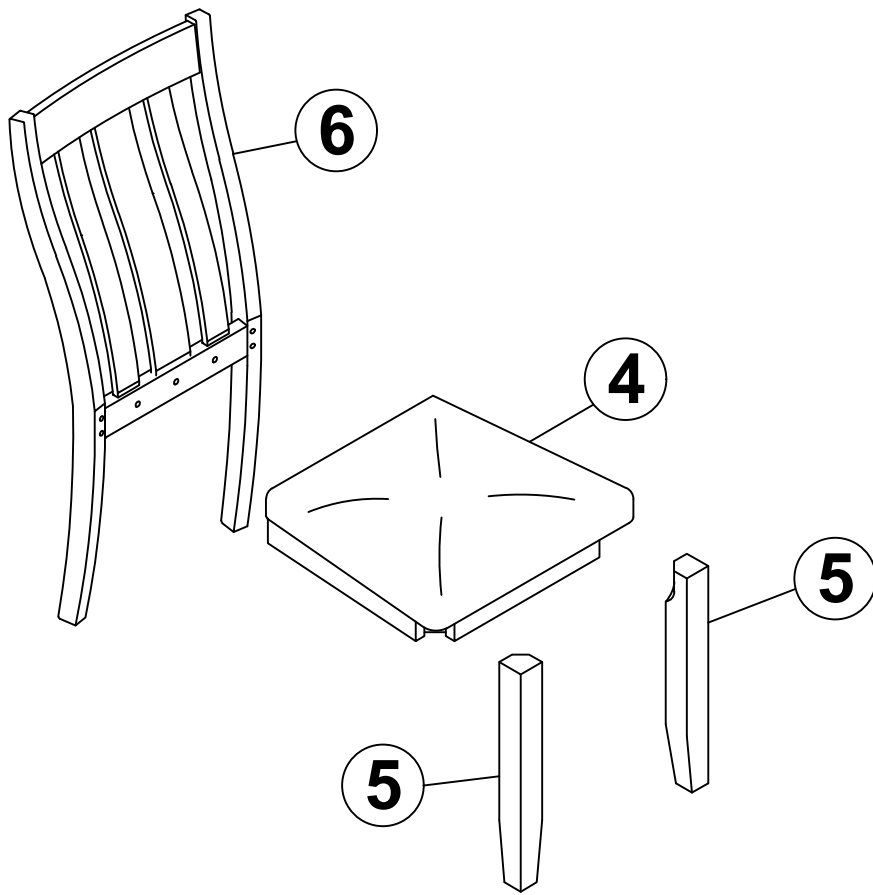
DINING CHAIR




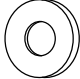

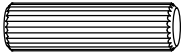

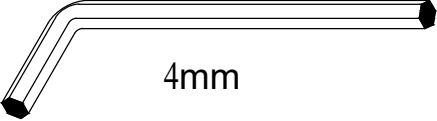

WF295547 / WF295548

IMPORTANT NOTE :

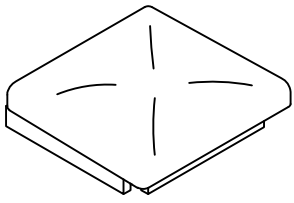
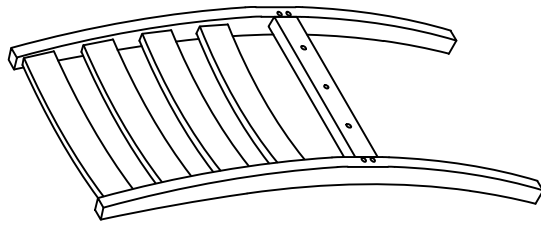
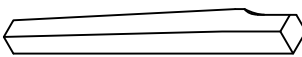
- ① PLACE ALL PARTS ON A CLEAN AND SMOOTH SURFACE SUCH AS A RUG OR CARPET TO AVOID THE PARTS FROM BEING SCRATCHED.
- ② BEFORE YOU BEGIN , KINDLY FOLLOW THE ASSEMBLY INSTRUCTIONS STEP BY STEP.
- ③ DO NOT TIGHTEN ALL SCREWS AND BOLTS UNTIL THE CHAIR IS FULLY SET-UP



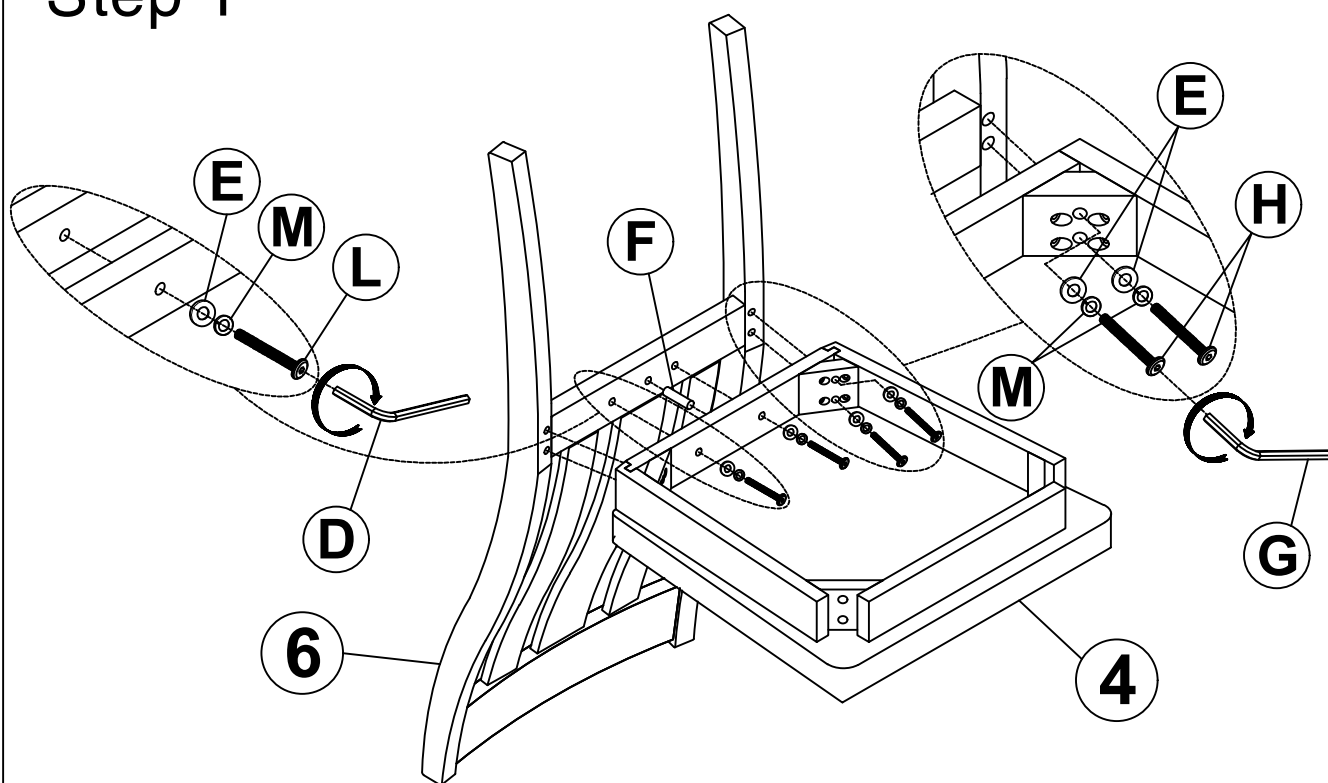
Hardware List For One Chair







<p>H</p>  <p>Ø1/4" x 75mm</p>	<p>E</p>  <p>Ø1/4" x 19mm</p>
<p>BOLT (4pcs)</p>	<p>FLAT WASHER (10pcs)</p>
<p>K</p>  <p>Ø1/4" x 55mm</p>	<p>F</p>  <p>Ø10 x 30mm</p>
<p>BOLT (4pcs)</p>	<p>WOODEN PEGS (1pc)</p>
<p>L</p>  <p>Ø1/4" x 35mm</p>	<p>D</p>  <p>4mm</p>
<p>BOLT (2pcs)</p>	<p>ALLENKEY (1pc)</p>
<p>M</p>  <p>Ø1/4" x 13mm</p>	
<p>SPRING WASHER (10pcs)</p>	

Part List For One Chair

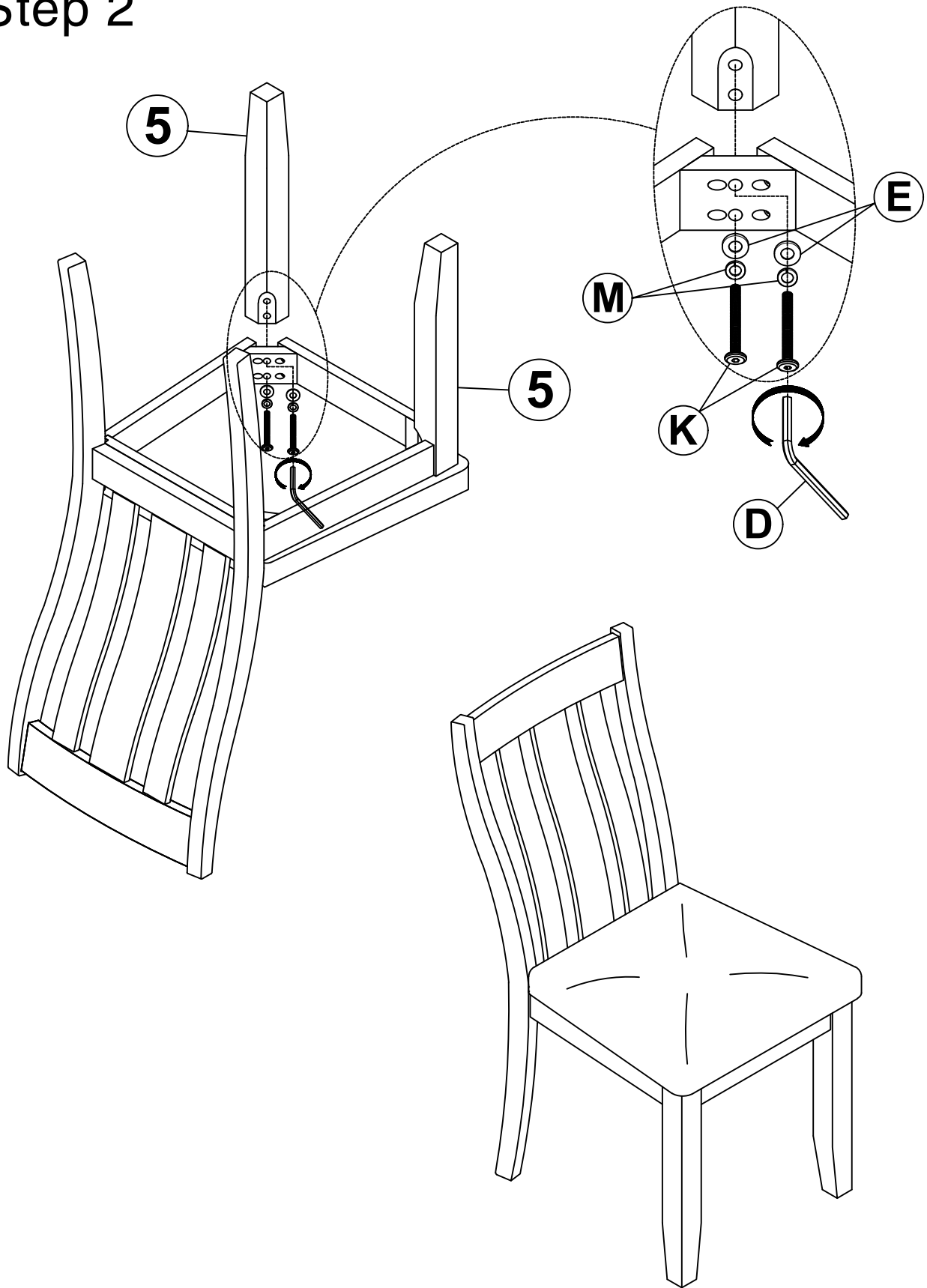
<p>4</p> 	<p>6</p> 
<p>SEAT FRAME (1pc)</p>	<p>BACK FRAME (1pc)</p>
<p>5</p> 	
<p>LEGS CHAIR (2pcs)</p>	





Step 1



F	Ø10x30		1PC	M	Ø1/4"x13		6PCS
H	1/4"x75		4PCS	E	Ø1/4"x19		6PCS
L	1/4"x35		2PCS	D	4x58		1PC

Step 2



K	1/4"x55		4PCS	E	Ø1/4"x19		4PCS
M	Ø1/4"x13		4PCS	D	4x58		1PC