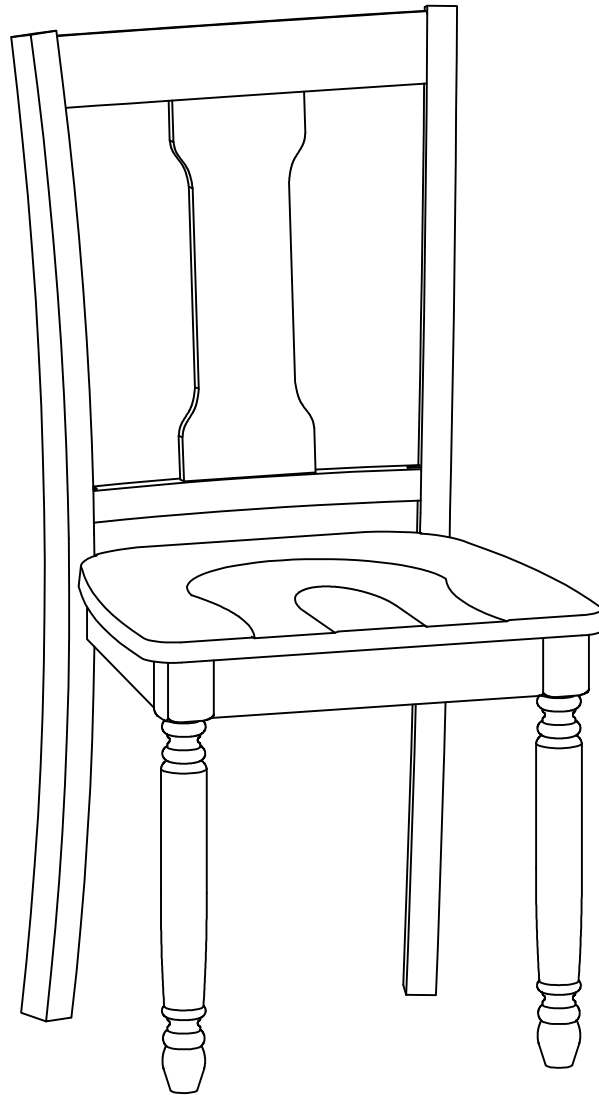


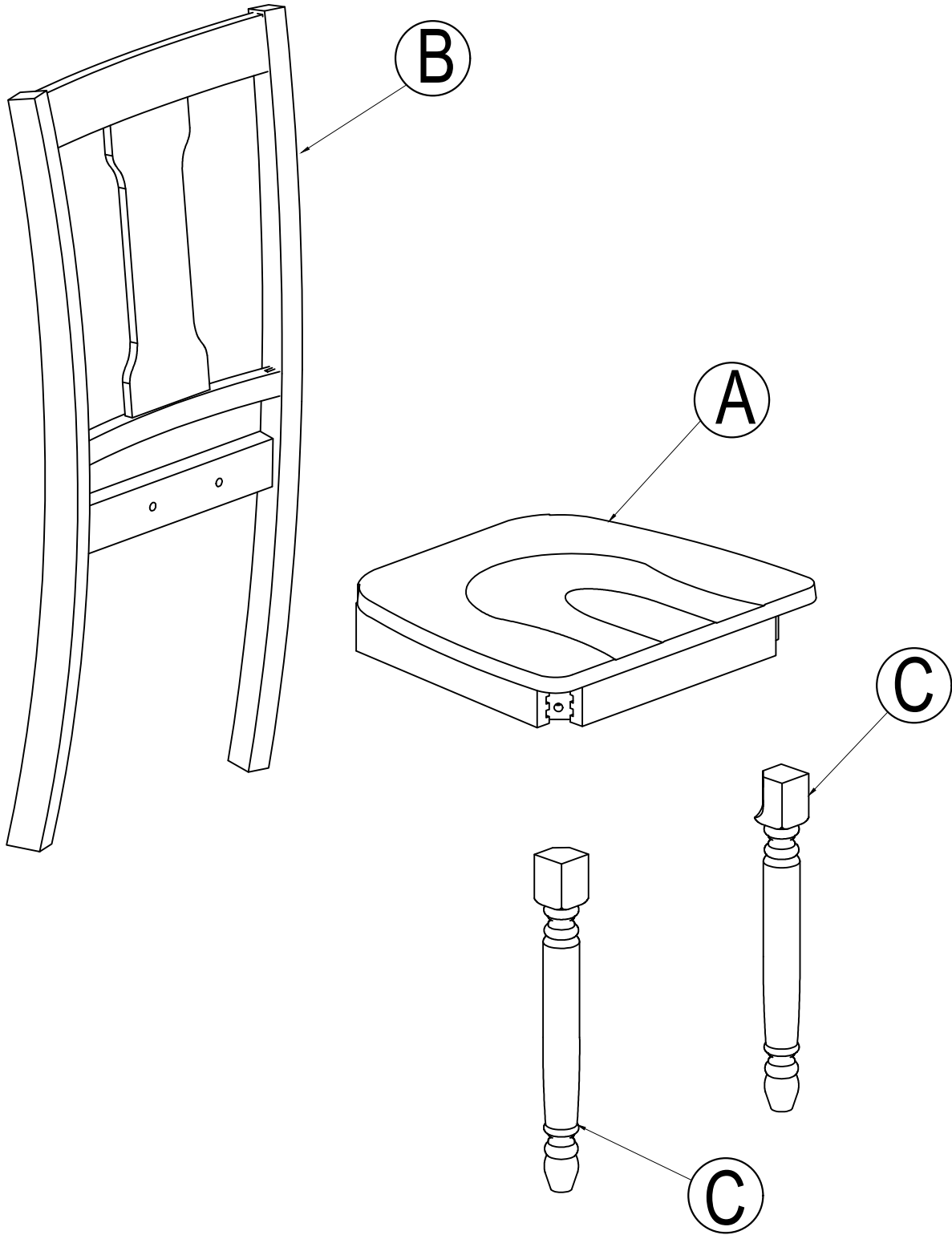
ASSEMBLY INSTRUCTIONS

ITEM NO.WF292252



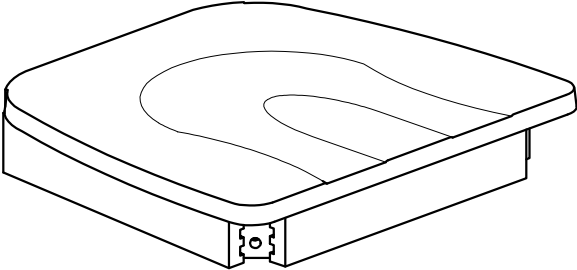
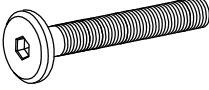
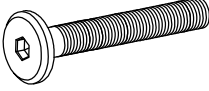
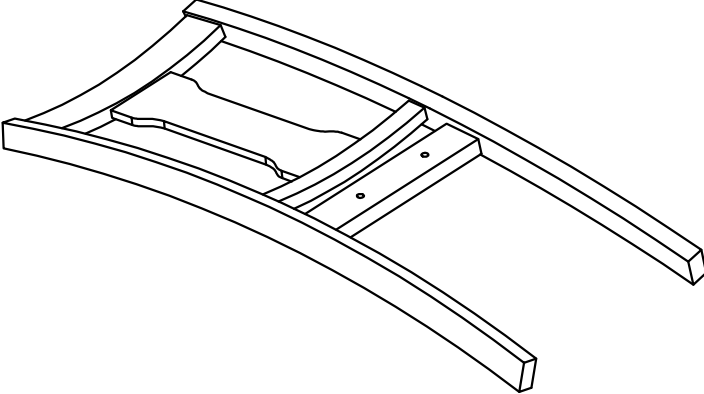
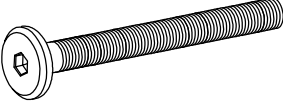

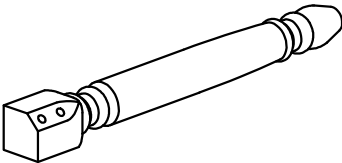
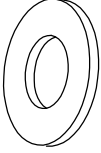

IMPORTANT NOTE :

- ① PLACE ALL PARTS ON A CLEAN AND SMOOTH SURFACE SUCH AS A RUG OR CARPET TO AVOID THE PARTS FROM BEING SCRATCHED.
- ② BEFORE YOU BEGIN,KINDLY FOLLOW THE ASSEMBLY INSTRUCTIONS STEP BY STEP.
- ③ DO NOT TIGHTEN ALL SCREWS AND BOLTS UNTIL THE CHAIR IS FULLY SET-UP.

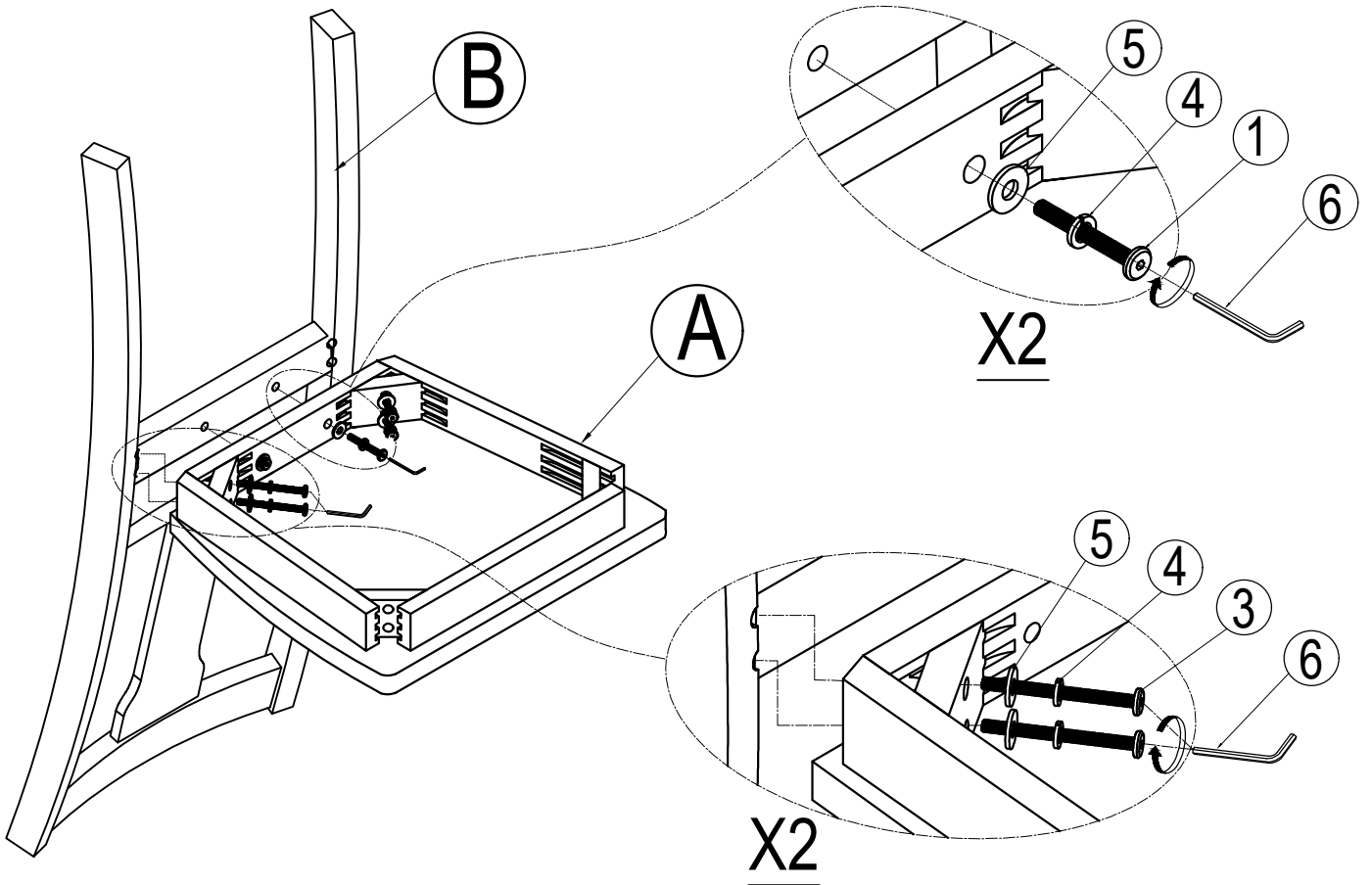


Part List

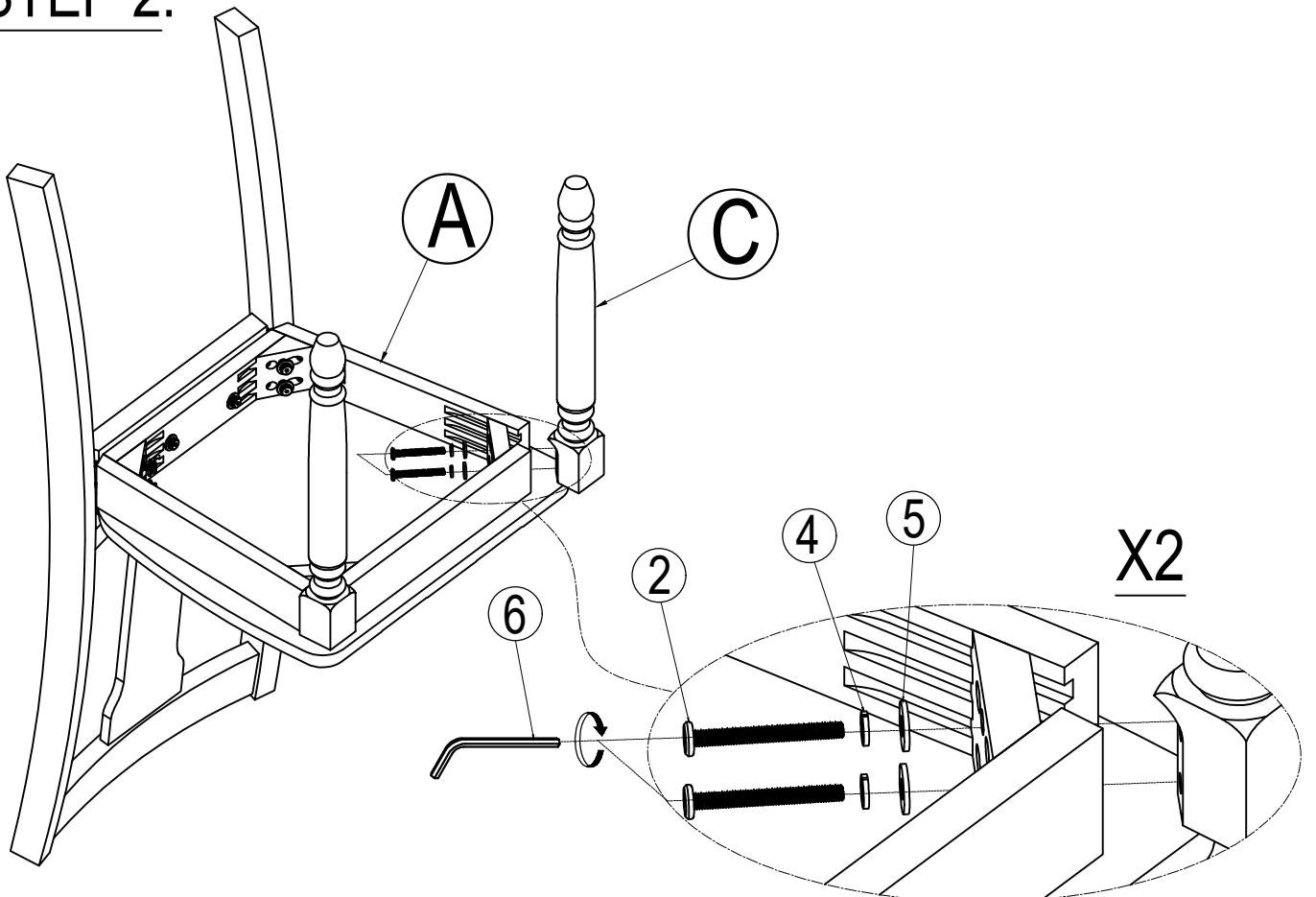
Hardware List

<p>(A)</p>  <p>CUSHION SEAT (4PC)</p>	<p>(1)</p>  <p>Ø 1/4" x 40mm</p> <p>BOLT (8pcs)</p>
	<p>(2)</p>  <p>Ø 1/4" x 55mm</p> <p>BOLT (16pcs)</p>
<p>(B)</p>  <p>CHAIR BACK (4PCS)</p>	<p>(3)</p>  <p>Ø 1/4" x 75mm</p> <p>BOLT (16pcs)</p>
	<p>(4)</p>  <p>Ø5/16" x 13mm</p> <p>FLAT WASHER (40pcs)</p>
<p>(C)</p>  <p>FRONT LEGS (8PCS)</p>	<p>(5)</p>  <p>Ø5/16" x 19mm</p> <p>LOCK WASHER (40pcs)</p>
	<p>(6)</p>  <p>4mm</p> <p>ALLEN KEY (1pc)</p>

STEP 1:

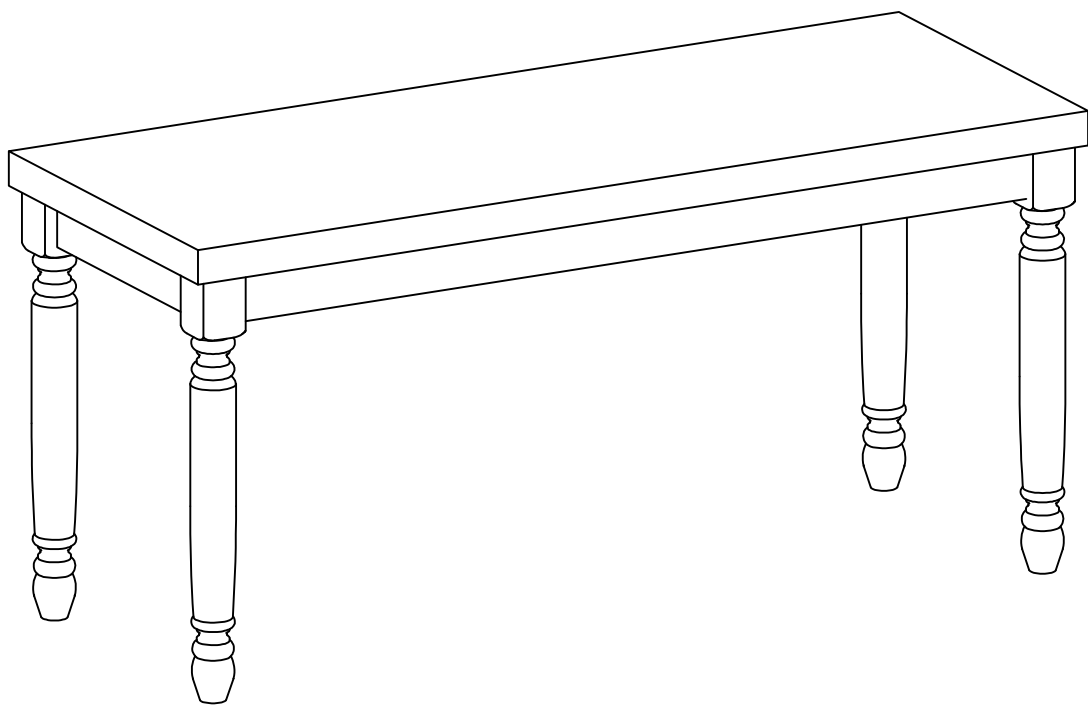


STEP 2:



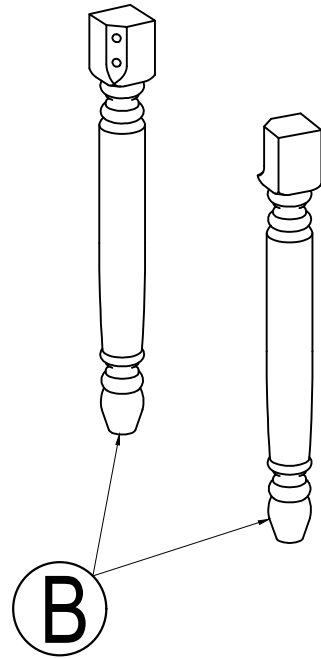
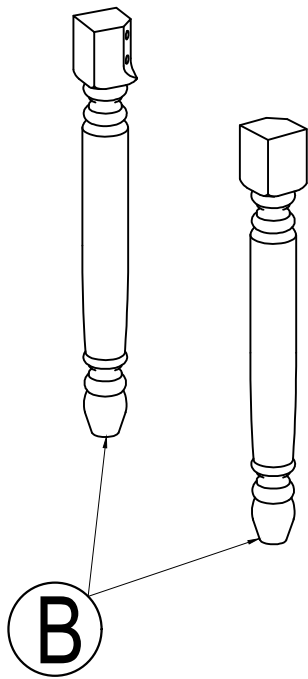
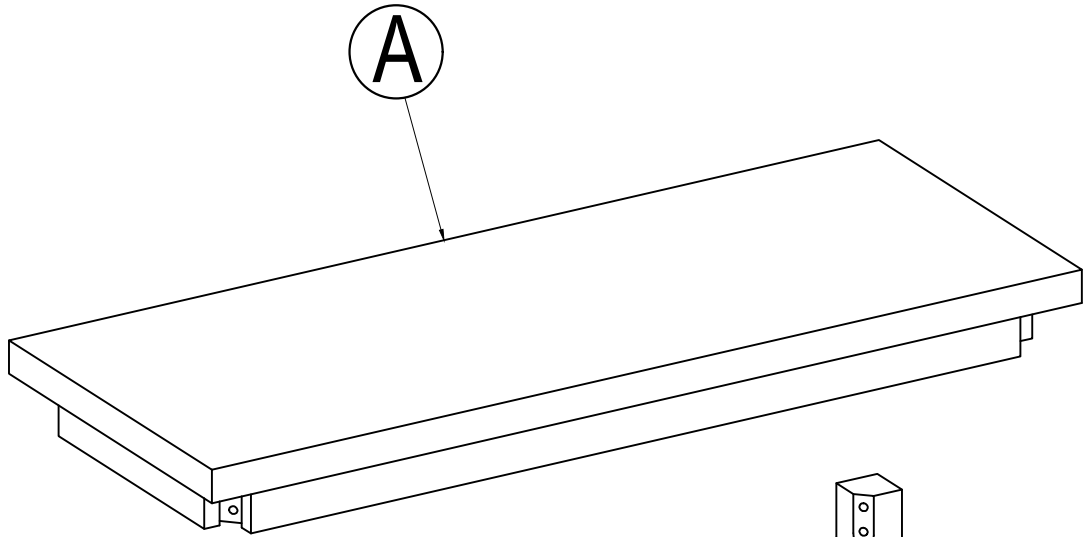
ASSEMBLY INSTRUCTIONS

ITEM NO.WF292252



IMPORTANT NOTE :

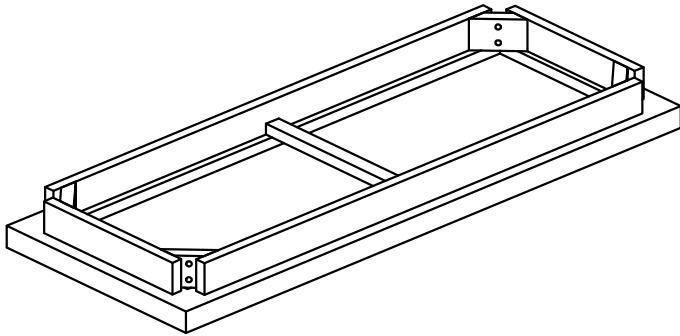
- ① PLACE ALL PARTS ON A CLEAN AND SMOOTH SURFACE SUCH AS A RUG OR CARPET TO AVOID THE PARTS FROM BEING SCRATCHED.
- ② BEFORE YOU BEGIN,KINDLY FOLLOW THE ASSEMBLY INSTRUCTIONS STEP BY STEP.
- ③ DO NOT TIGHTEN ALL SCREWS AND BOLTS UNTIL THE BENCH IS FULLY SET-UP.



Part List

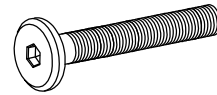
Hardware List

(A)



BENCH CUSHION SEAT (1 pc)

(1)



Ø1/4" x 50 mm

BOLT (8 pcs)

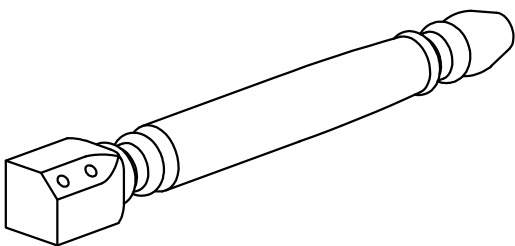
(2)



Ø5/16" x 13 mm

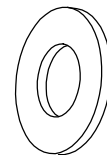
FLAT WASHER (8 pcs)

(B)



BENCH LEG (4 pcs)

(3)



Ø5/16" x 19 mm

LOCK WASHER (8 pcs)

(4)



4 x 38 mm

ALLEN KEY (1 pc)

STEP 1:

